

6" Recessed Energy Saving Kits

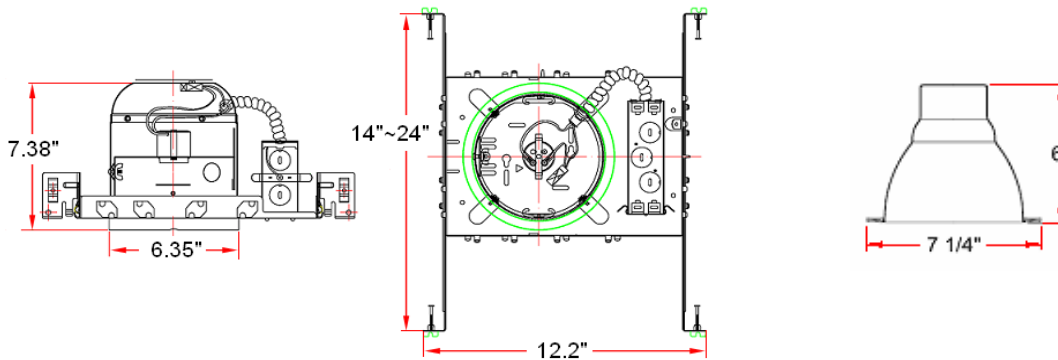


Specifications

Housing Material:	Formed steel; airtight
Trim Construction:	White ring trim with high performance reflector
Trim Material:	Aluminum
Installation:	6" new construction housing with hanger bars, 6" IC and Non-IC adaptable housing
Voltage:	120V
Weight:	3.74 lbs.
Lamp type and wattage:	One 13W/26W quad tube compact fluorescent lamp (included)



Dimensions



Warranty & Compliances

Warranty	5 Year Limited Warranty
UL	UL Listed; Suitable for damp locations
ADA	N/A
EnergyStar	N/A
WA State	Washington State Energy Code compliant



Order Codes

13W CFL	515023
26W CFL	515031

Type:

Job:

Order Code:

Approvals: