

MILLBRIDGE (Satin Nickel) 1 LT Wall Mount

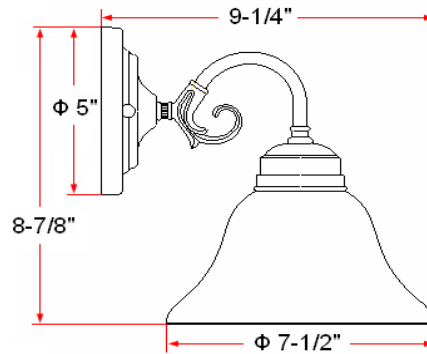


Specifications

Material Construction:	Formed Steel
Lens:	Alabaster glass
Lamp Type & Wattage:	One 60W, medium base incandescent lamp
Mounting:	Wall mounted; Suitable for up/down mounting
Finish:	Satin Nickel (US15)
Voltage:	120V
Weight:	1.7 lbs
Companion Fixtures:	Chandeliers, wall sconce, wall mounts, pendants & ceiling mounts



Dimensions



Warranty & Compliances

Warranty	10 Year Limited Warranty
UL	UL/cUL listed; Suitable for damp locations
ADA	N/A
EnergyStar	N/A



Companion Fixtures

1 LT Wall Mount	511618	
1 LT Wall Sconce	511584	
2 LT Wall Mount	511600	
1 LT Ceiling Mount (6^{3/4}" x 6")	511592	
1 LT Ceiling Mount (5" x 7^{5/8}"	511576	
2 LT Ceiling Mount (5" x 9^{1/2}"	511568	
2 LT Ceiling Mount (5^{7/8}" x 13^{1/4}"	511550	
3 LT Chandelier	511543	
5 LT Chandelier	511535	
Pendant	511626	
Mini Pendant	511634	

Type:

Job:

Order Code:

Approvals:

Design House reserves the right to make changes in materials, specifications & models at any time. Design House also reserves the right to discontinue product without notice or obligation.