

MILLBRIDGE (Satin Nickel) 3 LT Chandelier

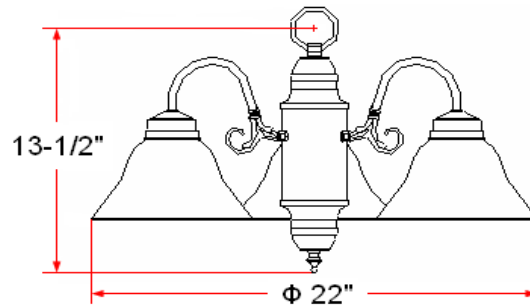


Specifications

Material Construction:	Formed Steel
Lens:	Alabaster glass
Lamp Type & Wattage:	Three 60W, medium base incandescent lamps
Mounting:	Ceiling mounted
Finish:	Satin Nickel (US15)
Voltage:	120V
Weight:	6.3 lbs
Companion Fixtures:	Chandeliers, wall sconce, wall mounts, pendants & ceiling mounts



Dimensions



Warranty & Compliances

Warranty	10 Year Limited Warranty
UL	UL/cUL listed; Suitable for dry locations
ADA	N/A
EnergyStar	N/A



Companion Fixtures

3 LT Chandelier	511543	
1 LT Wall Sconce	511584	
1 LT Wall Mount	511618	
2 LT Wall Mount	511600	
1 LT Ceiling Mount (6^{3/4}" x 6")	511592	
1 LT Ceiling Mount (5" x 7^{5/8}")	511576	
2 LT Ceiling Mount (5" x 9^{1/2}")	511568	
2 LT Ceiling Mount (5^{7/8}" x 13^{1/4}")	511550	
5 LT Chandelier	511535	
Pendant	511626	
Mini Pendant	511634	

Type:

Job:

Order Code:

Approvals:

Design House reserves the right to make changes in materials, specifications & models at any time. Design House also reserves the right to discontinue product without notice or obligation.