

# JELLY JAR Outdoor Lighting Collection

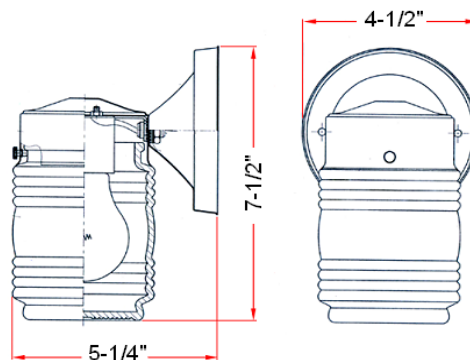


## Specifications

<b>Material Construction:</b>	Formed Steel
<b>Lens:</b>	Clear glass
<b>Lamp Type &amp; Wattage:</b>	One 60W, medium base incandescent lamp
<b>Mounting:</b>	Wall mounted
<b>Voltage:</b>	120V
<b>Weight:</b>	0.99 lbs



## Dimensions



## Warranty & Compliances

<b>Warranty</b>	10 Year Limited Warranty
<b>UL</b>	UL/cUL listed; Suitable for damp locations
<b>ADA</b>	N/A
<b>EnergyStar</b>	N/A



## Order Codes

<b>Satin Nickel (US15)</b>	507806	
<b>Polished Brass(US3)</b>	502179	
<b>Oil Rubbed Bronze (US10B)</b>	505198	
<b>Black</b>	502195	
<b>White</b>	500181	
<b>Special Order</b>		
<b>Antique Brass (US5)</b>	502187	

Type:

Job:

Order Code:

Approvals:

Design House reserves the right to make changes in materials, specifications & models at any time. Design House also reserves the right to discontinue product without notice or obligation.