

COACH Outdoor Lighting Collection

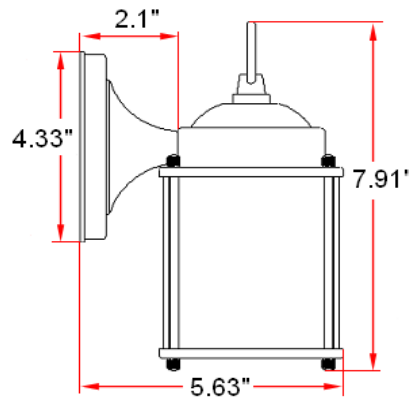


Specifications

Material Construction:	Formed Steel
Lens:	Clear glass
Lamp Type & Wattage:	One 60W, medium base incandescent lamp
Mounting:	Wall mounted
Voltage:	120V
Weight:	4.5 lbs



Dimensions



Warranty & Compliances

Warranty	10 Year Limited Warranty
UL	UL/cUL listed; Suitable for damp locations
ADA	N/A
EnergyStar	N/A



Order Codes

Satin Nickel (US15)	507863
Polished Brass(US3)	502633
Oil Rubbed Bronze (US10B)	506576
Black & Polished Brass	502658
White & Polished Brass	502666



Type:

Job:

Order Code:

Approvals:

Design House reserves the right to make changes in materials, specifications & models at any time. Design House also reserves the right to discontinue product without notice or obligation.