

SWAG LIGHT 1 LT PENDANT

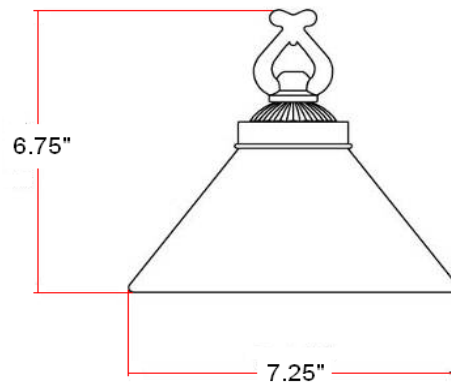


Specifications

Material Construction:	Formed Steel
Lens:	Alabaster glass
Lamp Type & Wattage:	One 60W, medium base incandescent lamp
Mounting:	Ceiling mounted
Voltage:	120V
Weight:	4.84 lbs



Dimensions



Warranty & Compliances

Warranty	10 Year Limited Warranty
UL	UL/cUL listed
ADA	N/A
EnergyStar	N/A



Companion Fixtures

Polished Brass (US3) 500272



Type:
Job:
Order Code:
Approvals:

Design House reserves the right to make changes in materials, specifications & models at any time. Design House also reserves the right to discontinue product without notice or obligation.