

Kick Plate

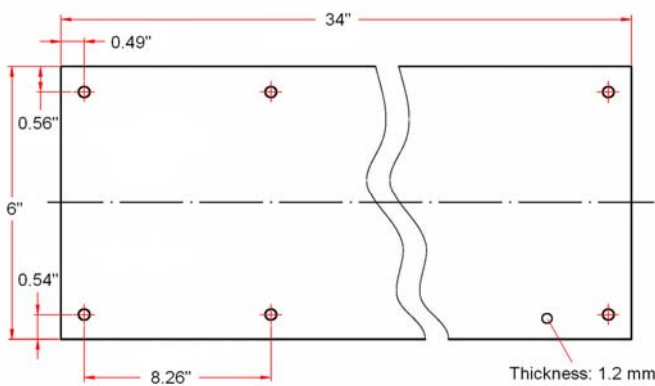


Specifications

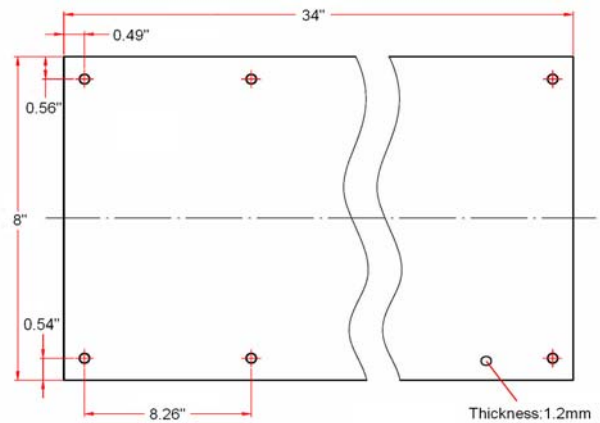
Metal Material: Brass
Dimensions: 34"W x 6"H and 34"W x 8"H
Hardware: with 10 pcs of 3.5x15.8mm screws



Dimensions



34" W x 6" H



34" W x 8" H

Warranty & Compliances

Warranty Limited 1 year warranty
ANSI/BHMA N/A



Order Codes

34"W x 6"H

Satin Nickel (US15) 203794
Oil Rubbed Bronze (US10B) 203802



34"W x 8"H

Satin Nickel (US15) 203810
Oil Rubbed Bronze (US10B) 203828



Type:

Job:

Order Code:

Approvals:

Design House reserves the right to make changes in materials, specifications & models at any time. Design House also reserves the right to discontinue product without notice or obligation.