

# Drive in Ball Catch

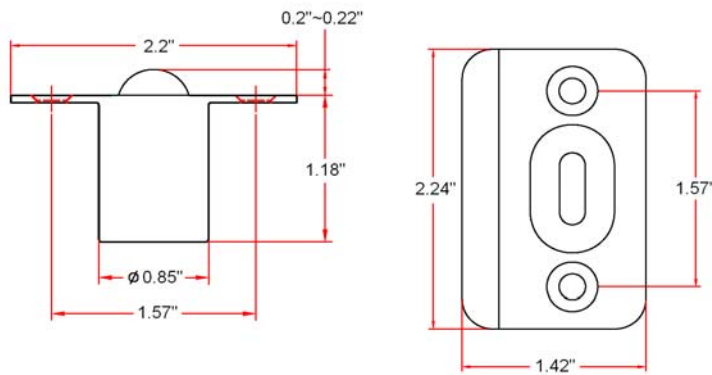


## Specifications

<b>Metal Material</b>	zinc alloy
<b>Strike type</b>	1/8 Radius
<b>Mounting Screws</b>	with 4 pcs of 4.2x20mm screws
<b>Packaging</b>	poly bag



## Dimensions



## Warranty & Compliances

<b>Warranty</b>	Limited 1 year warranty
<b>ANSI/BHMA</b>	N/A



## Order Codes

<b>Satin Nickel (US15)</b>	203778
<b>Oil Rubbed Bronze (US10B)</b>	203786



<b>Type:</b>
<b>Job:</b>
<b>Order Code:</b>
<b>Approvals:</b>

Design House reserves the right to make changes in materials, specifications & models at any time. Design House also reserves the right to discontinue product without notice or obligation.