

Drive in Ball Catch

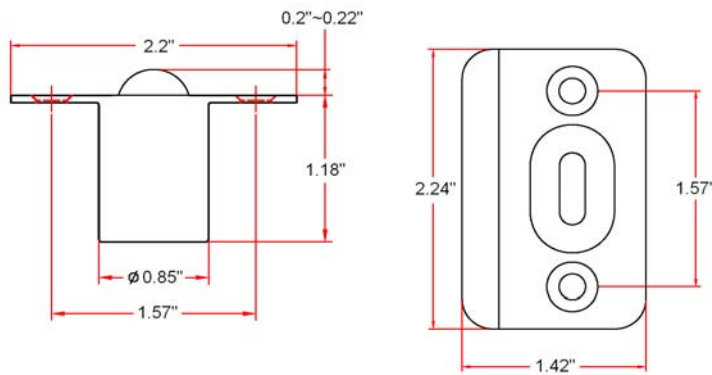


Specifications

Metal Material	zinc alloy
Strike type	1/8 Radius
Mounting Screws	with 4 pcs of 4.2x20mm screws
Packaging	poly bag



Dimensions



Warranty & Compliances

Warranty	Limited 1 year warranty
ANSI/BHMA	N/A



Order Codes

Satin Nickel (US15)	203778
Oil Rubbed Bronze (US10B)	203786



Type:

Job:

Order Code:

Approvals: