

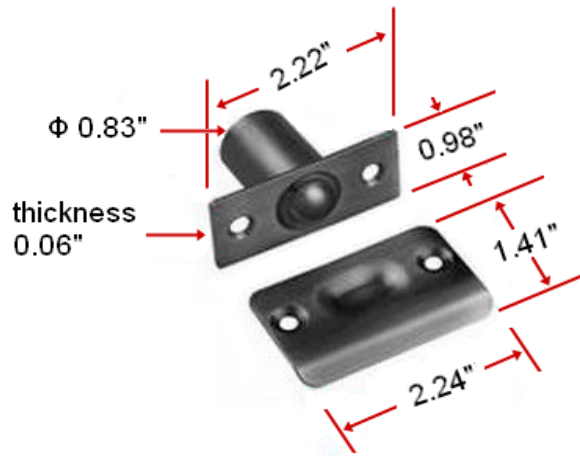
# Door Hardware Adjustable Ball Catch



## Specifications

|                           |  |
|---------------------------|--|
| <b>Product Dimensions</b> | 2.22" x 0.98" (56.5mm x 24.9mm)          |
| <b>Metal Material</b>     | zinc                                     |
| <b>Strike type</b>        | 1/4 Radius, 2.24"x 1.41" (57mm x 35.7mm) |
| <b>Mounting Screws</b>    | #6 x 13/16"                              |
| <b>Packaging</b>          | poly bag                                 |

## Dimensions



## Warranty & Compliances

|                  |                         |
|------------------|-------------------------|
| <b>Warranty</b>  | Limited 1 year warranty |
| <b>ANSI/BHMA</b> | N/A                     |



## Order Codes

|                                  | Box Pack |  |
|----------------------------------|----------|--|
| <b>Polished Brass (US3)</b>      | 202895   |  |
| <b>Satin Nickel (US15)</b>       | 202903   |  |
| <b>Oil Rubbed Bronze (US10B)</b> | 202911   |  |
| <b>Antique Brass (US5)</b>       | 203042   |  |

Type:

Job:

Order Code:

Approvals:

Design House reserves the right to make changes in materials, specifications & models at any time. Design House also reserves the right to discontinue product without notice or obligation.