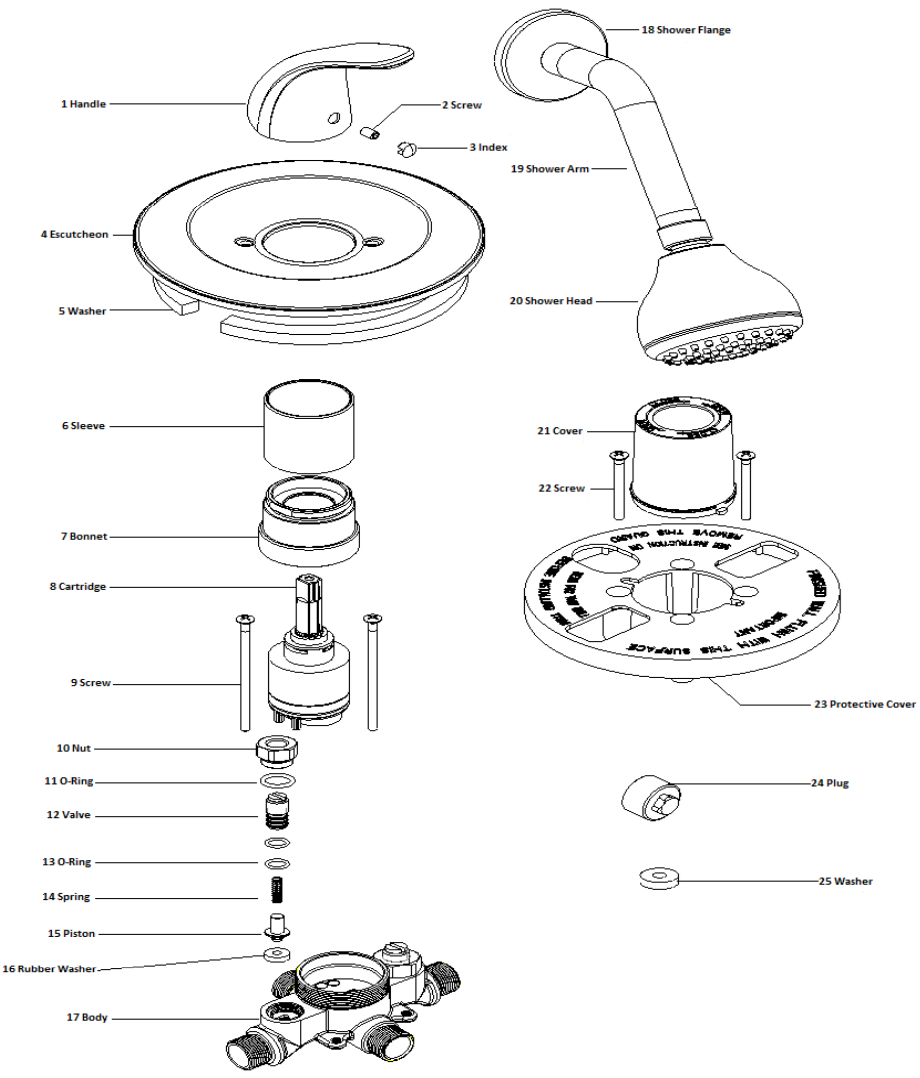


525915	525923	525931
Oil Rubber Bronze	Satin Nickel	Polished Chrome



No.	Name	525915		525923		525931	
		Order Code	List Price	Order Code	List Price	Order Code	List Price
1	Handle						
2	Screw						
3	Index						
4	Escutcheon						
5	Washer						
6	Sleeve						
7	Bonnet						
8	Cartridge	920215	\$47.11	920215	\$47.11	920215	\$47.11
9	Screw						
10	Nut						
11	O-Ring						
12	Valve						
13	O-Ring						
14	Spring						
15	Piston						
16	Rubber Washer						
17	Body						
18	Shower Flange						
19	Shower Arm						
20	Shower Head						
21	Cover						
22	Screw						
23	Protective Cover						
24	Plug	920280	\$4.89	920280	\$4.89	920280	\$4.89
25	Washer						