

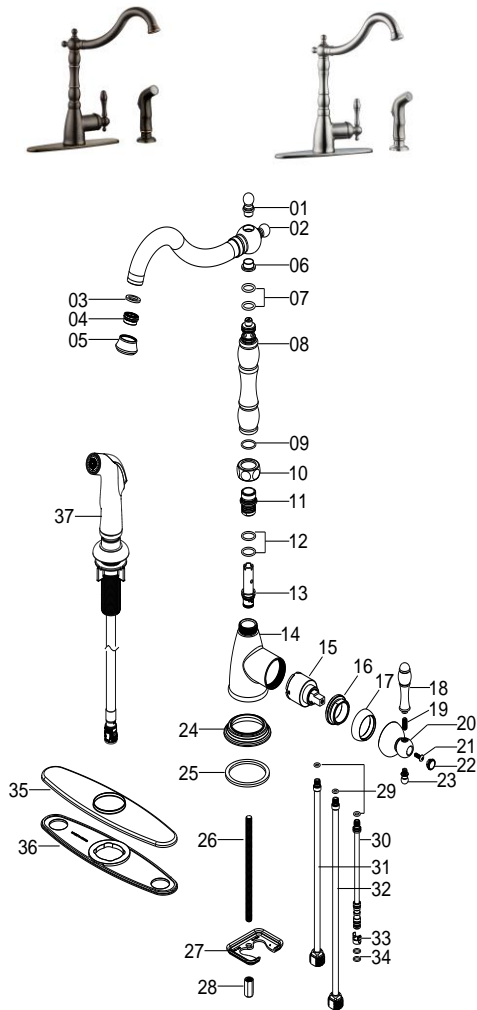
Oakmont Single Handle Kitchen Faucet

523217 (ORB) - 523225 (SN)



523217 (ORB)

523225 (SN)



| NO. | RP NO. | PAT NO. | DESCRIPTION | MATERIAL | QTY | Order Code | List Price | Order Code | List Price |
|-----|-----------|------------------------|----------------|----------|-----|------------|------------|------------|------------|
| #01 | RP8000127 | 3.24.859.04A010-27 | CAP | PLASTIC | 1 | | | | |
| #02 | | 3.01.7017.020011-27 | SPOUT | BRASS | 1 | | | | |
| #03 | | 3.30.407.080010-00 | AERATOR WASHER | RUBBER | 1 | | | | |
| #04 | RP3023827 | 3.26.408.28C011-00H | AERATOR INSET | PLASTIC | 1 | | | | |
| #05 | | 3.01.468.041810-27 | AERATOR SHELL | BRASS | 1 | | | | |
| #06 | RP64002 | 3.26.453.510010-00 | WASHER | PLASTIC | 1 | | | | |
| #07 | RP60008 | 3.30.811.020010-00 | O-RING | RUBBER | 2 | | | | |
| #08 | | 3.02.7018N.010010-27 | SHANK | BRASS | 1 | | | | |
| #09 | | 3.01.7018.03A010-27 | SPOUT NUT | BRASS | 1 | | | | |
| #10 | RP60068 | 3.30.517.050010-00 | O-RING | RUBBER | 1 | | | | |
| #11 | | 3.02.7018N.020010-113 | CONNECTOR | BRASS | 1 | | | | |
| #12 | RP60090 | 3.30.408.120210-00 | O-RING | RUBBER | 2 | | | | |
| #13 | RP70007 | 3.26.811.060010-00 | DIVERTER | PLASTIC | 1 | | | | |
| #14 | | 3.02.7019N.010012-27 | BODY | BRASS | 1 | | | | |
| #15 | RP20005 | 3.35.7061.060010-00 | CARTRIDGE | HYBRID | 1 | | | | |
| #16 | RP70085 | 3.01.7061.280010-00 | BONNET NUT | BRASS | 1 | | | | |
| #17 | RP8002827 | 3.24.468.070010-27 | CAP | PLASTIC | 1 | | | | |
| #18 | | 3.15.859.550010-27 | HANDLE | ZINC | 1 | | | | |
| #19 | RP1348727 | 3.11.462.030010-3601 | BOLT | METAL | 1 | | | | |
| #20 | | 3.15.890.02Z010-01 | HANDLE SEAT | ZINC | 1 | | | | |
| #23 | | 3.24.7012.03A010-27 | CAP | PLASTIC | 1 | | | | |
| #21 | | 3.10.891.280010-00 | SCREW | SUS | 1 | | | | |
| #22 | | 3.01.268.010110-27 | CAP | BRASS | 1 | | | | |
| #24 | RP8015827 | 3.01.7019.020010-27 | FLANGE | BRASS | 1 | | | | |
| #25 | | 3.20.7019.030010-00 | WASHER | PLASTIC | 1 | | | | |
| #26 | | 3.11.6111.090010-3601 | BOLT | METAL | 1 | | | | |
| #27 | RP70228 | 3.11.65831.170010-3601 | WASHER | METAL | 1 | | | | |
| #28 | RP56026 | 3.01.E503.120010-00 | NUT | BRASS | 1 | | | | |
| #29 | | 3.30.F046M.020010-00 | O-RING | RUBBER | 3 | | | | |
| #30 | | 3.01.7019N.100010-102 | OUTLET PIPE | BRASS | 1 | | | | |
| #31 | | 3.01.67405.068010-102 | INLET PIPE | BRASS | 1 | | | | |
| #32 | | 3.01.67405.078010-102 | INLET PIPE | BRASS | 1 | | | | |
| #33 | RP70421 | 3.26.67448.220011-00B | BLOCK | PLASTIC | 1 | | | | |
| #34 | RP60002 | 3.30.55025.002910-00 | O-RING | RUBBER | 2 | | | | |
| #35 | RP8015927 | 3.01.65706.050010-27 | ESCUTCHEON | BRASS | 1 | | | | |
| #36 | RP70188 | 3.20.65706.060010-00L | BASE PLATE | PLASTIC | 1 | | | | |
| #37 | RP3609827 | 4.24.518N.8327-03 | SIDE SPRAYER | PLASTIC | 1 | | | | |