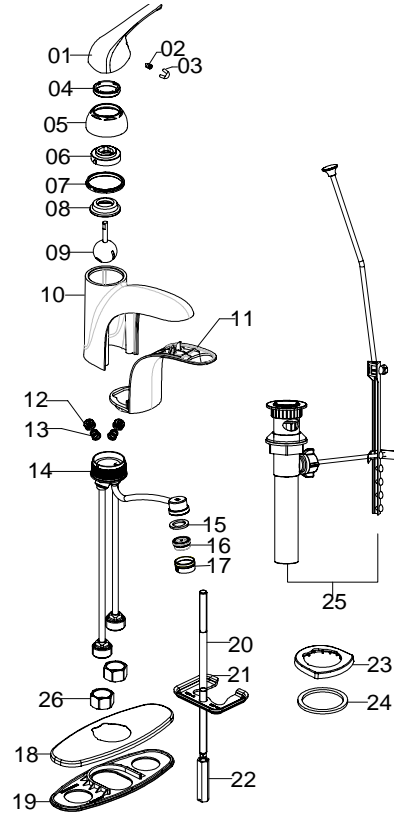


522862
Satin Nickel

522870
Brushed Bronze



No.	Name	522862		522870	
		Order Code	List Price	Order Code	List Price
1	Handle				
2	Set Screw				
3	Index Bonnet				
4	Bonnet				
5	Cap				
6	Cam				
7	Body Nut				
8	Cam Packing				
9	Cartridge	909986	\$3.31	909986	\$3.31
10	Escutcheon				
11	Putty Guard				
12	Disc				
13	Disc Spring				
14	Body				
15	Washer				
16	Aerator	910000	4.49	909994	5.59
17	Aerator Shell				
18	Escutcheon				
19	Base Plate				
20	Bolt				
21	Washer				
22	Bolt				
23	Flange				
24	EVA Washer				
25	Pop-Up Assembly				
26	Coupling Nut				