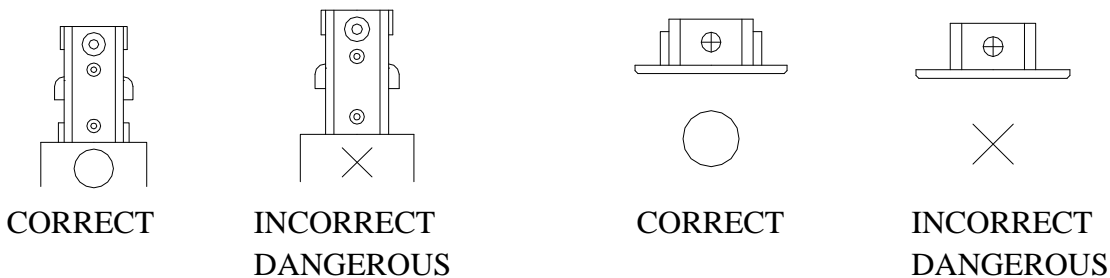
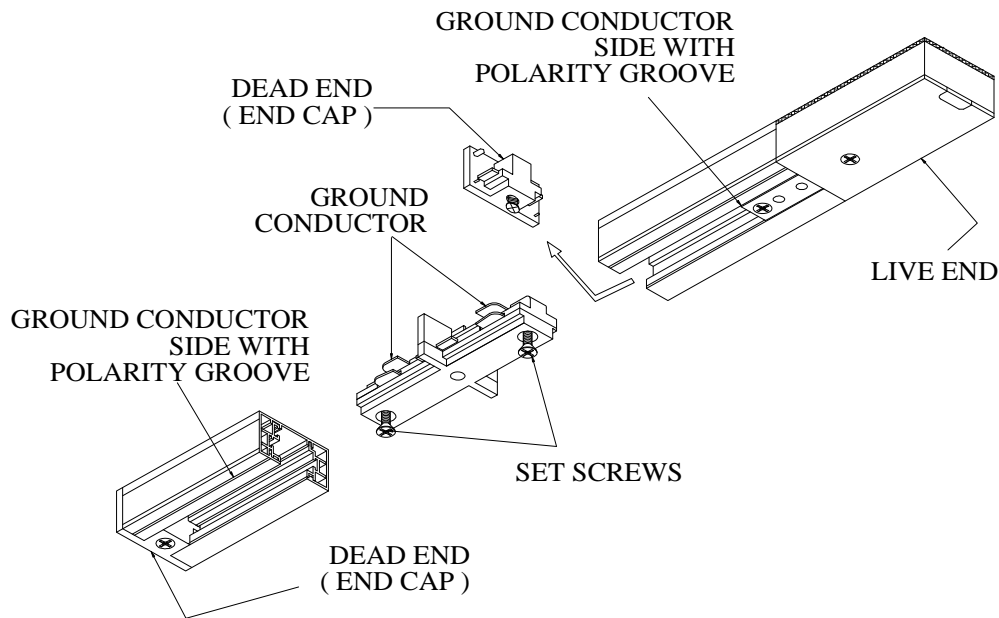


Model Numbers 910612, 910620, 910638, 910646 ASSEMBLY /INSTALLATION INSTRUCTIONS

1. Before beginning the installation, carefully unpack and identify all parts.
2. Turn off power while installing or servicing this fixture.
3. Loosen set screws on dead end and remove dead end from end of track.
4. Loosen set screws on mini I joiner and insert mini I joiner with ground conductor pointing to track polarity groove for proper installation.
5. Tighten set screws to lock to tracks.

NOTE : Track ends must be terminated with either a dead end or a connector.



WARNING : To avoid potential risk of fire and short circuiting, always use the connectors and end cap with busbar stopers (See drawing below with "X" mark) for your track system.

IF IN DOUBT ABOUT ELECTRICAL INSTALLATION, CONSULT A LICENSED ELECTRICIAN.

Customer Service : 1-800-558-8700