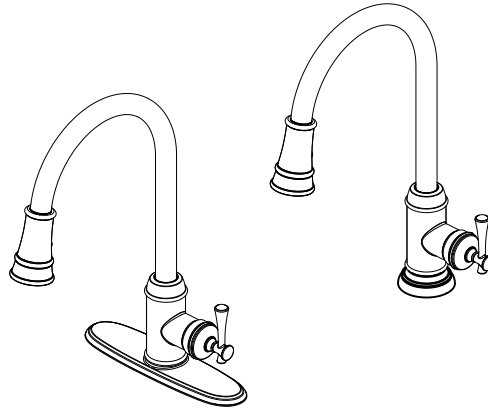




Mequon, WI 53092
1-800-558-8700

IRONWOOD KITCHEN PULLDOWN FAUCET

Model 802421



Your new Design House faucet will give you years of trouble free performance. Thank you for choosing our product for your home. **Please read all of these instructions carefully before installing your new faucet.**

Helpful tools to install this faucet:

- basin wrench
- Teflon tape
- (2) crescent wrenches
- silicon sealer
- flashlight
- faucet supply tubes

IMPORTANT POINTS

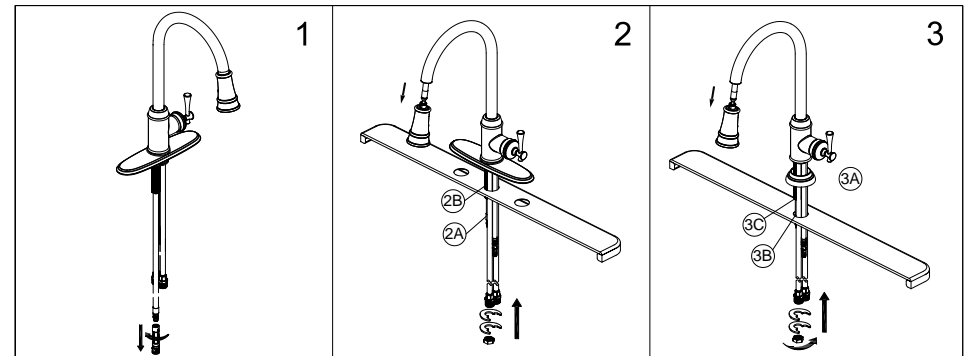
- When installing your new faucet, hand tighten the connector nuts, then use one wrench to anchor the fitting and a second wrench to tighten the nut one additional turn. Connections that are too tight will reduce the integrity of the system.
- Wrap threaded connections (except aerator thread in spout or where o-ring or rubber sealant are present) with Teflon tape available from your local hardware or plumbing supply store. Always wrap in a clockwise direction.

SAFETY TIPS

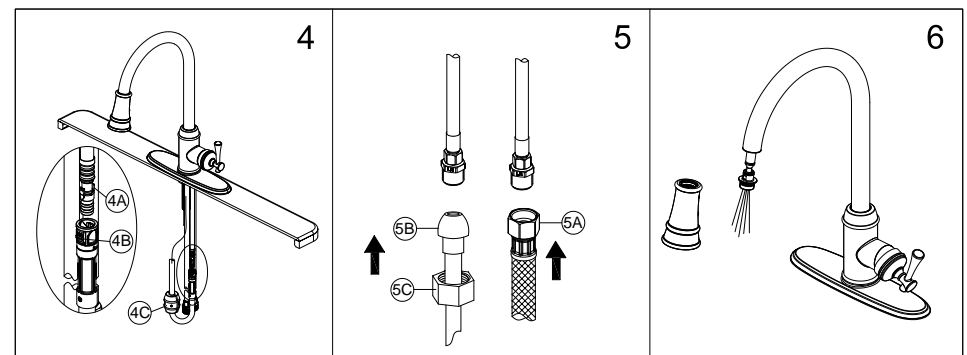
- **ALWAYS** protect your eyes with safety glasses.

INSTALLATION PROCEDURE

1. Shut off water supplies.
Before installation, remove quick connector from the free end of pullout hose.
If installing the faucet with the escutcheon, begin with step 2. If installing the faucet with flange, begin with step 3.
2. Retract the hose (2A) up through faucet body, until the hose fitting is flush with the bottom of shank (2B). Do not pull the hose fitting past the shank. Insert the faucet body through the hole in escutcheon.
Note: Do not feed the hose (2A) back down through the spout until step 4.
3. Before installation, ensure that the flange (3A) is placed on the bottom of the new faucet assembly. Retract the hose (3B) up through the faucet body, until the hose fitting is flush with the bottom of shank (3C). Do not pull hose fitting past the shank. Insert the faucet body through the hole in sink.
Note: Do not feed the hose (3B) back down through the spout until step 4.



4. Screw quick connector to the free end of the hose. Align block (4A) and tabs (4B) on quick connector. Push quick connector housing firmly upward and snap onto receiving block. Pull down moderately to ensure connection has been made. After connecting the hose, attach weight (4C) to hose at bottom of loop to prevent hose from twisting and return hose to proper position.
5. Make connections to water lines. Use 1/2" I.P.S. faucet connections (5A) or use supplied coupling nuts (5C) with 3/8" O.D. ball-nose riser (5B). Use wrenches to tighten connections. Do not overtighten.
6. Important: After installation is completed. Turn on water supply without the sprayer to run for at least one minute each. Check for leaks. Re-tighten any connections if necessary, but do not overtighten. Reinstall sprayer head by hand tightening it back onto the spray hose.



TROUBLE SHOOTING

o 802421 - Satin Nickel

Problem:

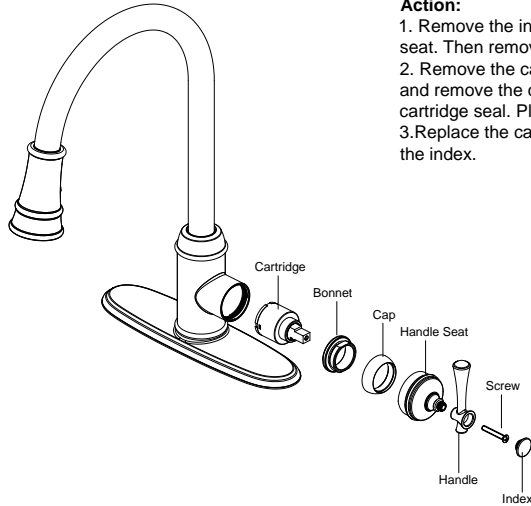
Leaks from under handle and water does not completely shut off.

Cause:

Bonnet is loose or the cartridge is dirty or worn.

Action:

1. Remove the index and unscrew the screw on the handle seat. Then remove the handle and handle seat.
2. Remove the cap and bonnet. Lift the cartridge off body and remove the cartridge seal. Clean the cartridge ports and cartridge seal. Place the cartridge seal into cartridge ports.
3. Replace the cap, bonnet, handle, tighten set screw and reinstall the index.



Many of these parts come preassembled. This exploded diagram is to assist in trouble shooting.

MAINTENANCE

Your new Design House faucet is designed to give you years of trouble free performance. Avoid abrasive cleaners, steel wool and harsh chemicals that will dull the finish and void your warranty.

Brass finishes are polished, then protected with a lacquer coating to help prevent tarnishing. Clean these surfaces only with a damp, soft cloth.

Keep it looking like new by cleaning it periodically with a mild solution of soapy water. Rinse thoroughly and then dry with a soft cloth.

CONSUMER PROTECTION WARNING

Under the Safe Drinking Water Act, the U.S. Environmental Protection Agency restricts the amount of lead used in brass and solder. Your new faucet is made in strict compliance with all government standards. The materials used in the manufacture of this faucet are of industry standard quality and are similar to other plumbing products having brass fittings.

To reduce the amount of lead in your drinking water, allow the water to run for a moment before filling your glass and remember to always use cold water for drinking purposes.