

ASSEMBLY/INSTALLATION INSTRUCTIONS

Please read carefully and save these instructions, as you may need them at a later date.

CAUTION

Turn off the main power at the circuit breaker before installing the fixture, in order to prevent possible shock.

GENERAL

All electrical connections must be in accordance with local and National Electrical Code (N.E.C.) standards.

If you are unfamiliar with proper electrical wiring connections obtain the services of a qualified electrician.

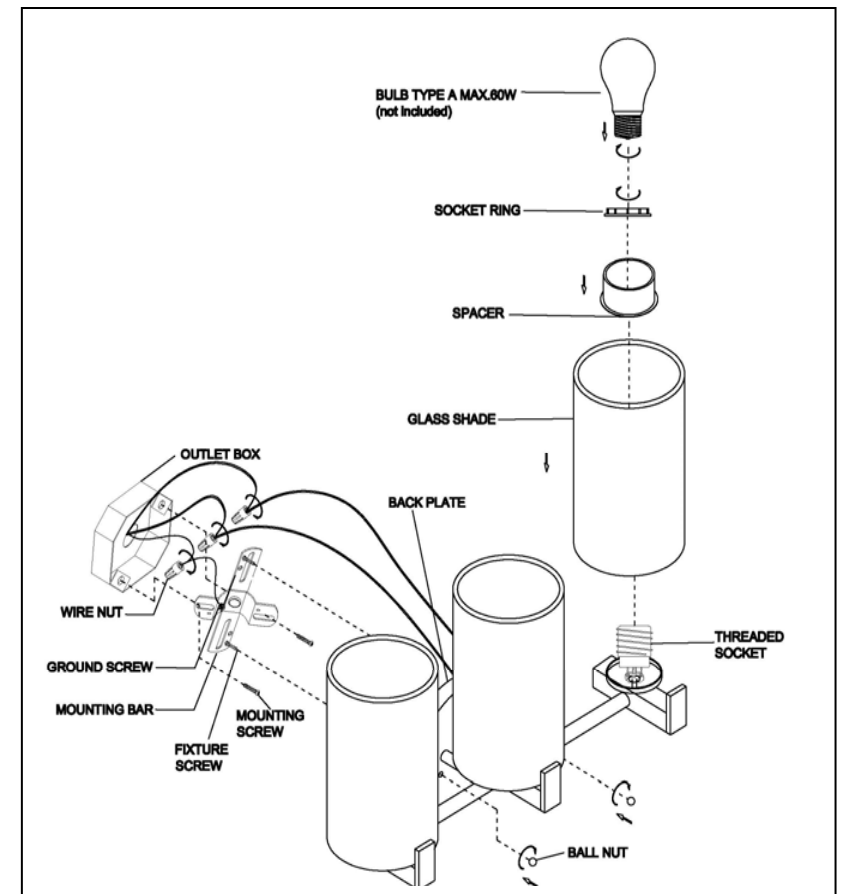
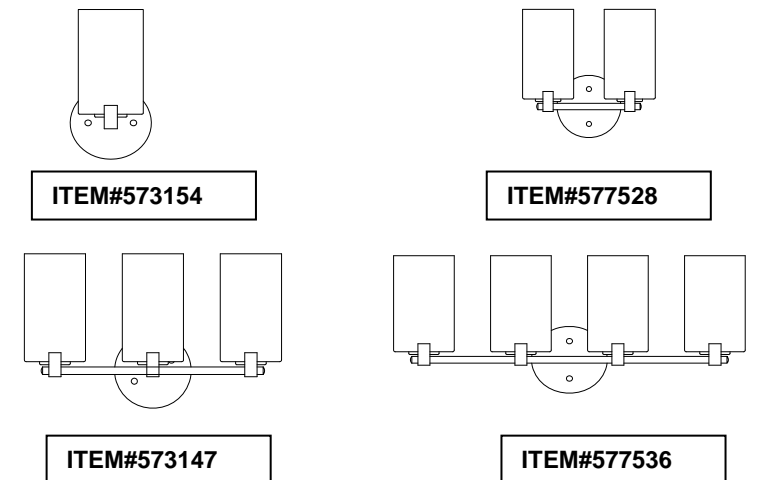
Remove the fixture and the mounting package from the box and make sure that no parts are missing by referencing the illustrations on the installation instructions.

ASSEMBLY AND INSTALLATION

Turn off the power at fuse or circuit breaker

1. Gently take all parts out of the package referring to figure 1, lay them on a smooth surface and unscrew the MOUNTING SCREWS. Attach MOUNTING BAR to the OUTLET BOX using (2) MOUNTING SCREWS.
2. Make wire connections with WIRE NUTS:
 - A-Connect the black wire from the Fixture to the black supply wires.
 - B-Connect the white wire from the Fixture to the white supply wires.
 - C-Attach the fixture ground wire to the MOUNTING BAR with the GROUND SCREW. Then connect it to the supply GROUND WIRE with the WIRE NUTS. Carefully tuck wires back into the OUTLET BOX.
3. Attach the BACK PLATE to the MOUNTING BAR using BALL NUTS, then slide the GLASS SHADE on to the FIXTURE.
4. Slide the SPACER over the THREADED SOCKET.
5. Attach the SOCKET RING to the THREADED SOCKET and tighten.
6. Install BULB with TYPE A MAX. 60W wattage (not included). (Refer to Figure 2)

Turn on the power at fuse or circuit breaker.

**FIGURE 2**

**IF IN DOUBT ABOUT ELECTRICAL INSTALLATION,
CONSULT A LICENSED ELECTRICIAN**