



# EASTPORT CEILING MOUNT

(Item #570937)

## ASSEMBLY AND INSTALLATION

Please read carefully and save these instructions, as you may need them at a later date.

### CAUTION

WARNING: Risk of Fire. Min 90°C supply conductors. Consult a qualified electrician to ensure correct installation. Turn off the main power at the circuit breaker before installing the fixture, in order to prevent possible shock.

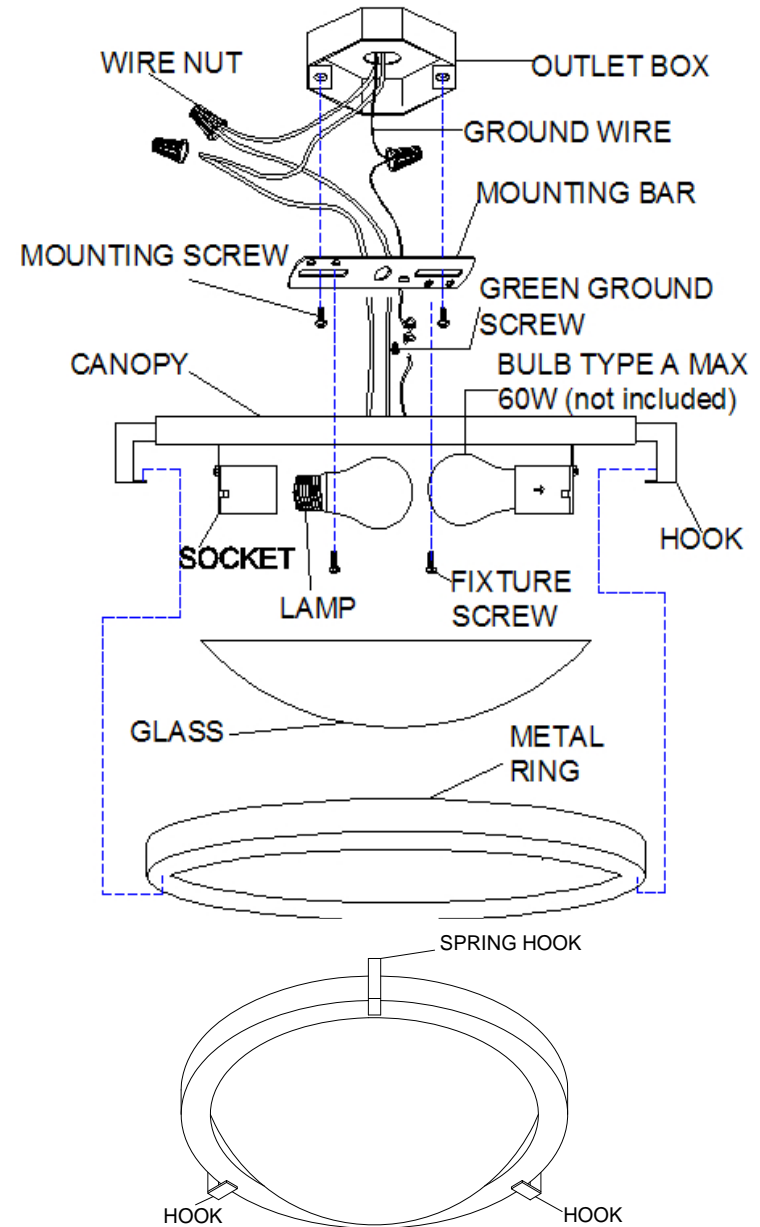
### GENERAL

All electrical connections must be in accordance with local and National Electrical Code (N.E.C.) standards. If you are unfamiliar with proper electrical wiring connections obtain the services of a qualified electrician.

Remove the fixture and the mounting package from the box and make sure that no parts are missing by referencing the illustrations on the installation instructions.

## ASSEMBLY AND INSTALLATION

1. Pull the SUPPLY WIRES and SUPPLY GROUND WIRE out from the OUTLET BOX and attach the CROSSBAR to the OUTLET BOX using MOUNTING SCREWS.
2. Make wiring connection: Attach the FIXTURE GROUND WIRE to the SUPPLY GROUND WIRE, Connect the BLACK SUPPLY WIRE to the BLACK FIXTURE WIRE and WHITE SUPPLY WIRE to the WHITE FIXTURE WIRE with WIRE NUTS.
3. Carefully tuck all the wiring back into the OUTLET BOX. Fix the CANOPY on the OUTLET BOX using FIXTURE SCREWS
4. Install the lamps (Sold Separately). Note the TYPE A MAX. 60W wattage of the fixture.
5. There are two HOOKs, one SPRING HOOK which can be stretched. Make sure two HOOKs stand vertically against the CANOPY. Locate the GLASS on the METAL RING. Inert GLASS and METAL RING to two HOOKs, then pull out and rotate the SPRING HOOK until three HOOKs can clamp the METAL RING and GLASS.



**IF IN DOUBT ABOUT ELECTRICAL INSTALLATION,  
CONSULT A LICENSED ELECTRICIAN.**

Customer Service: 1-800-558-8700