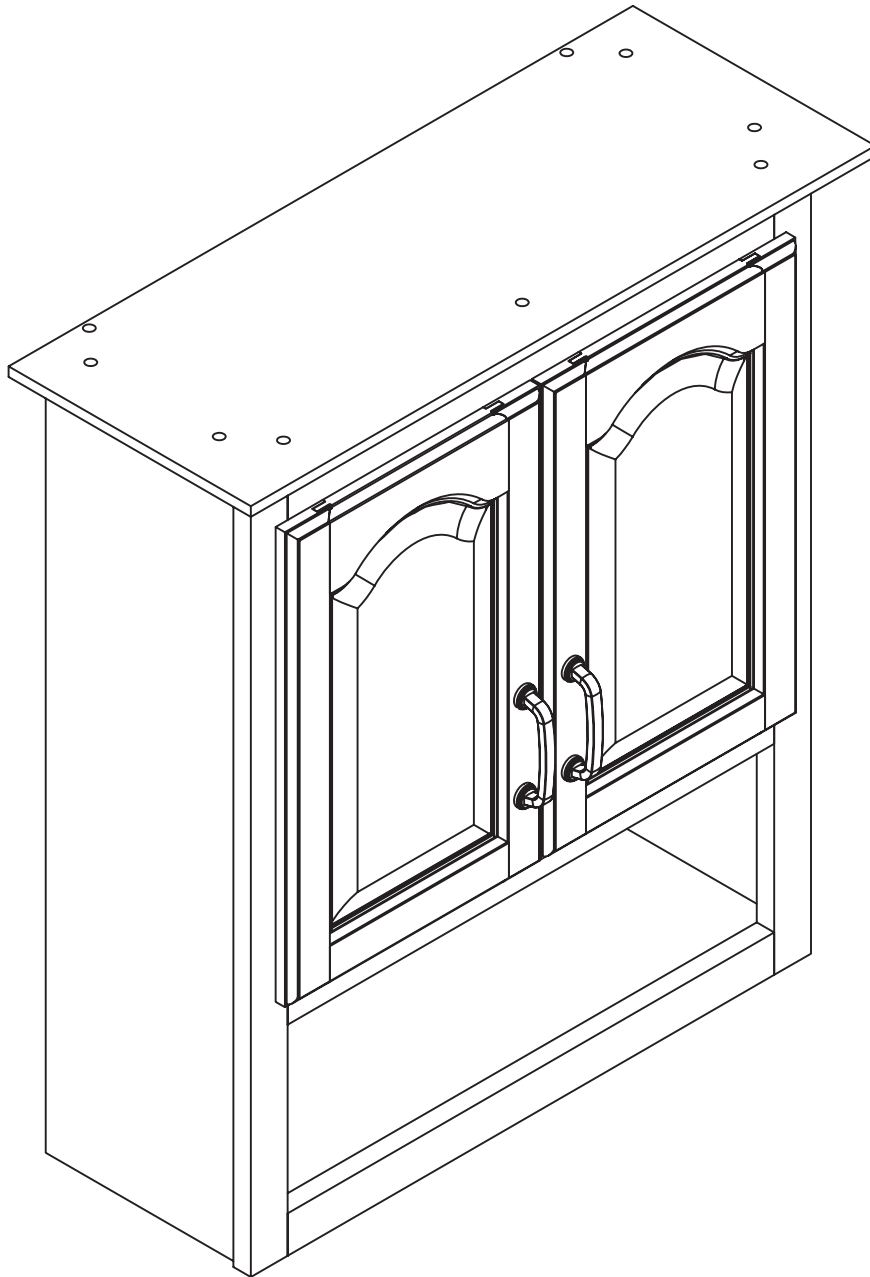




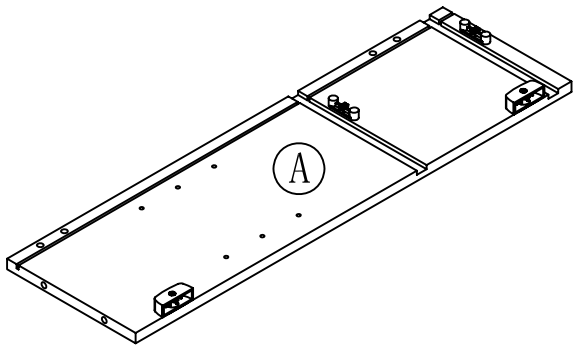
ADVANCED
GLOBAL COMMERCE



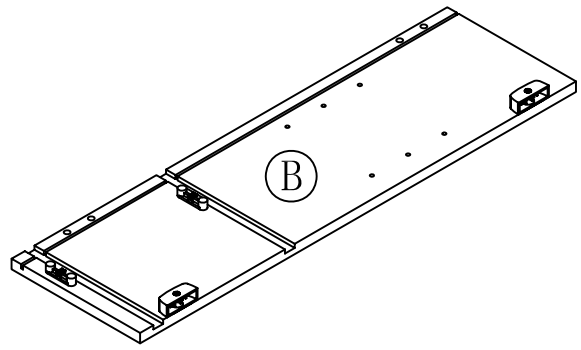
552844

ASSEMBLY INSTRUCTIONS

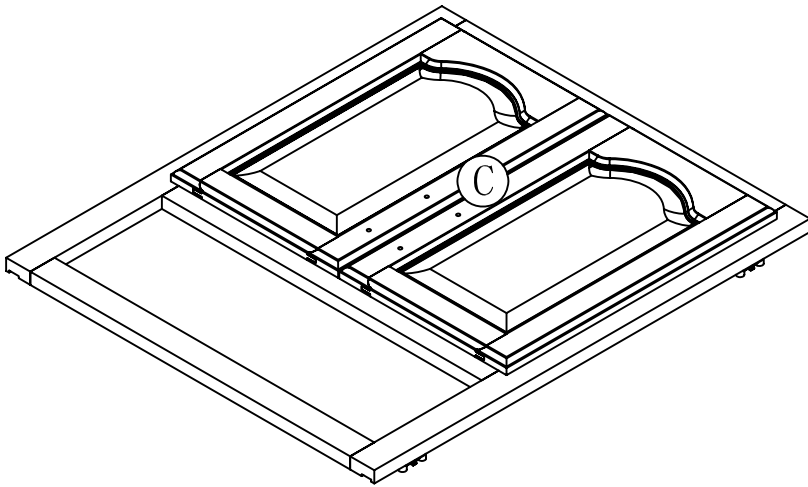
PARTS LIST:



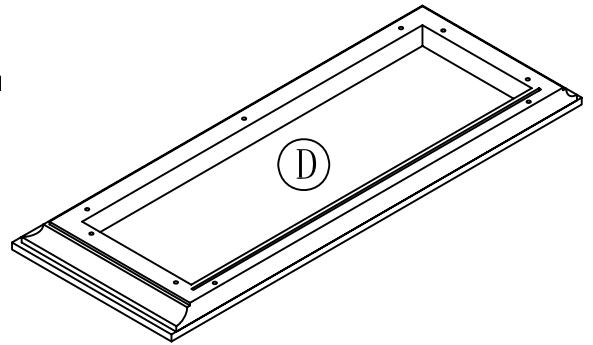
LEFT SIDE PANEL 1PC



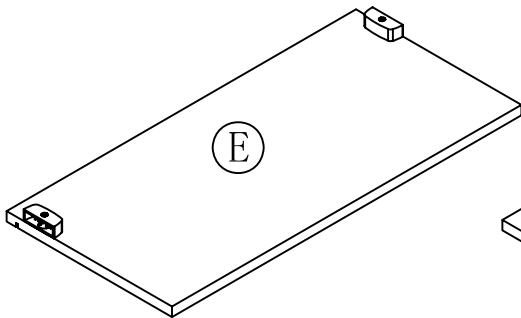
RIGHT SIDE PANEL 1PC



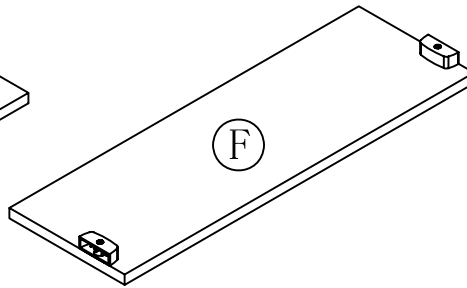
FRONT FRAME 1PC



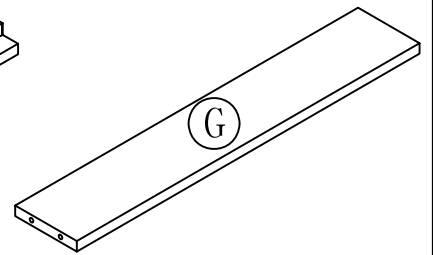
TOP PANEL 1PC



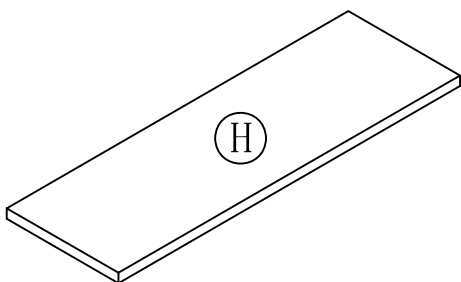
BOTTOM PANEL 1PC



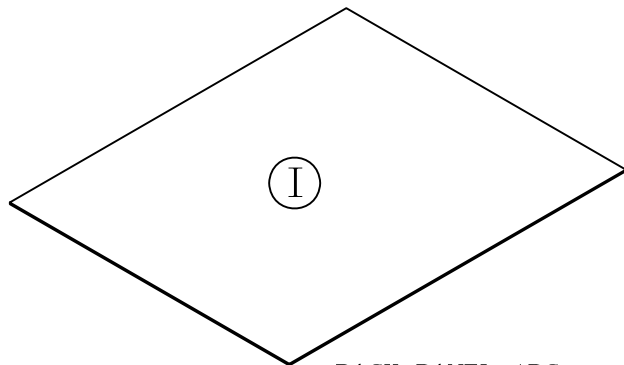
FIXED PANEL 1PC



BACK CROSS BRACE 2PCS



ADJUSTABLE PANEL 1PC

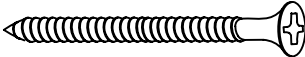


BACK PANEL 1PC

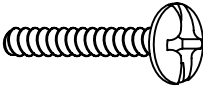
HARDWARE LIST:



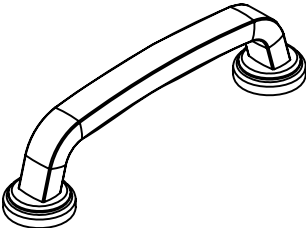
a. WOOD DOWEL 12PCS



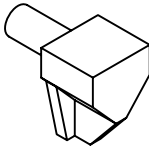
b. 1-1/2" L FLAT HEAD
SCREW 10PCS



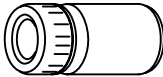
c. HANDLE BOLT 4PCS



d. HANDLE 2PC

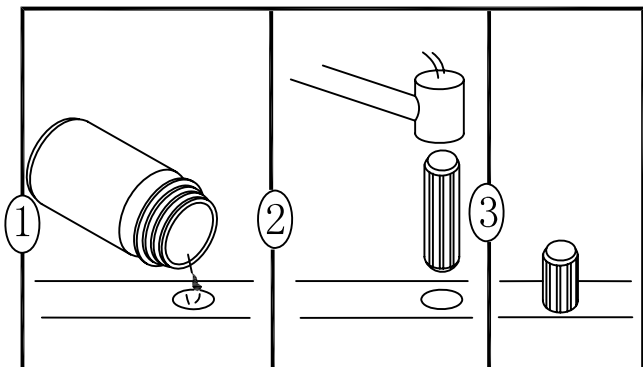
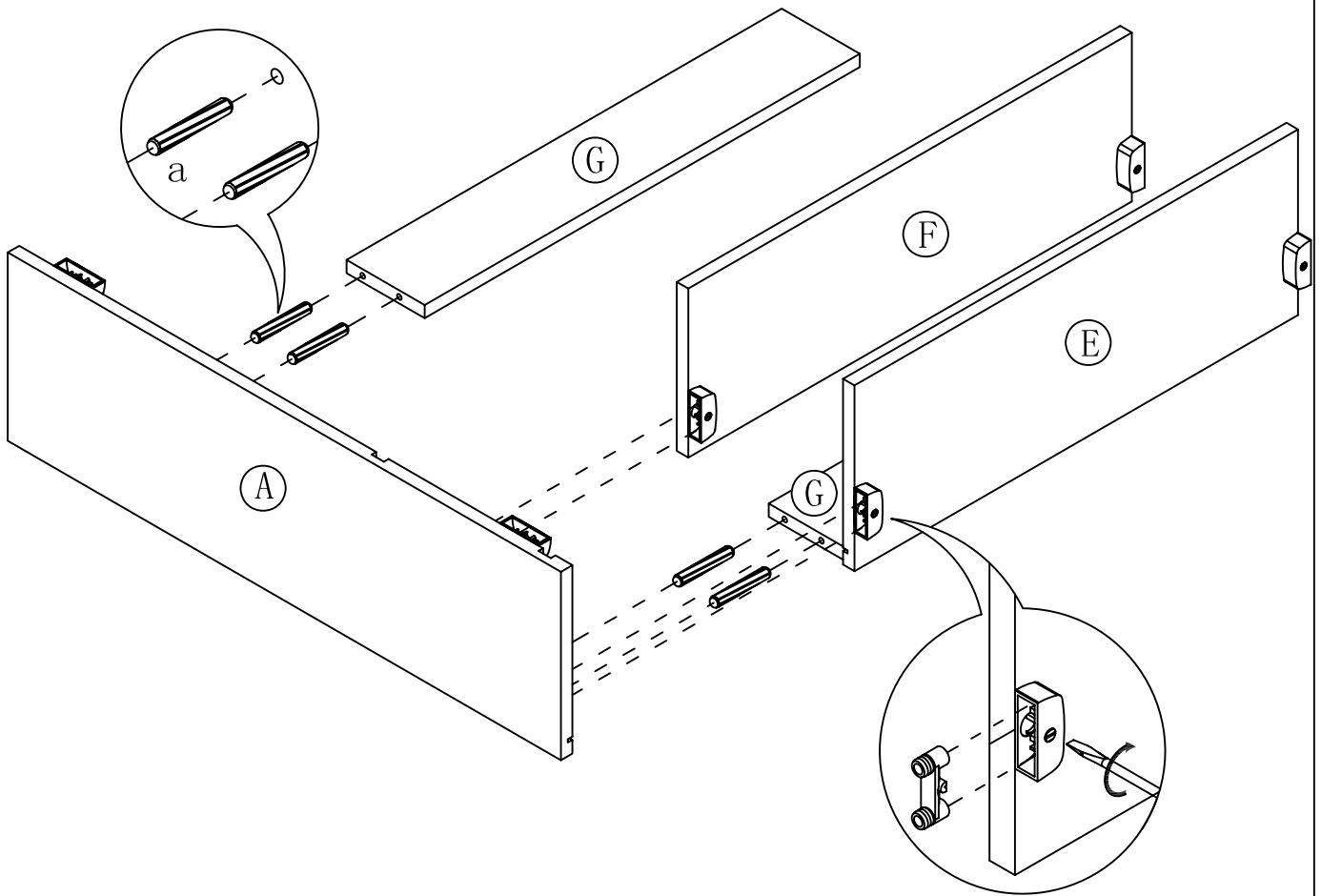


e. PIN 4PCS

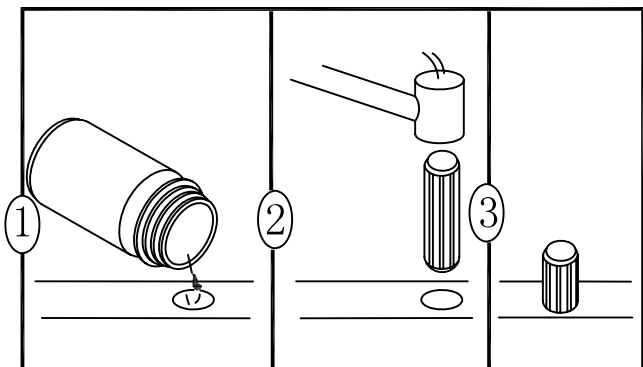
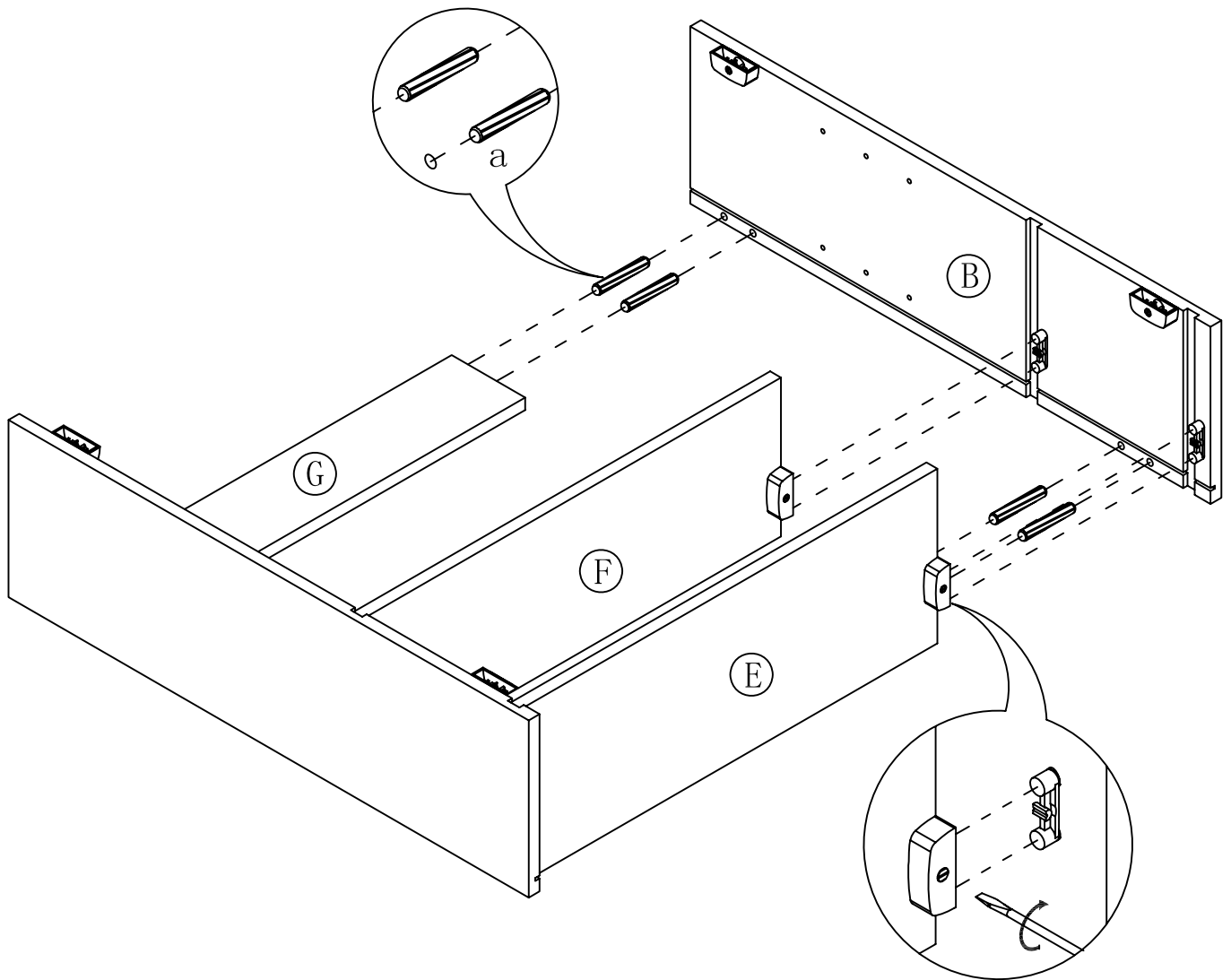


f. GLUE 1PC

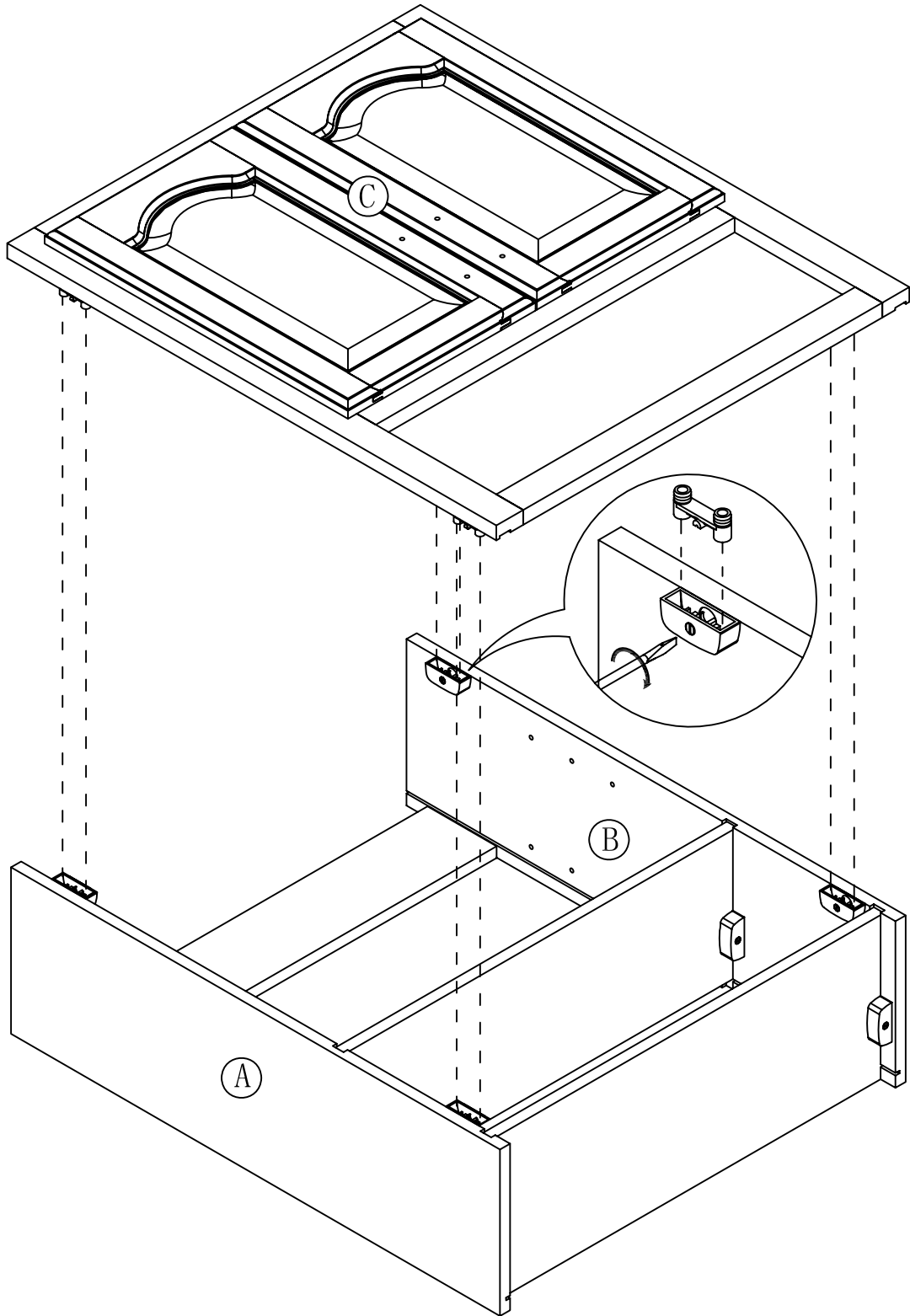
STEP 1



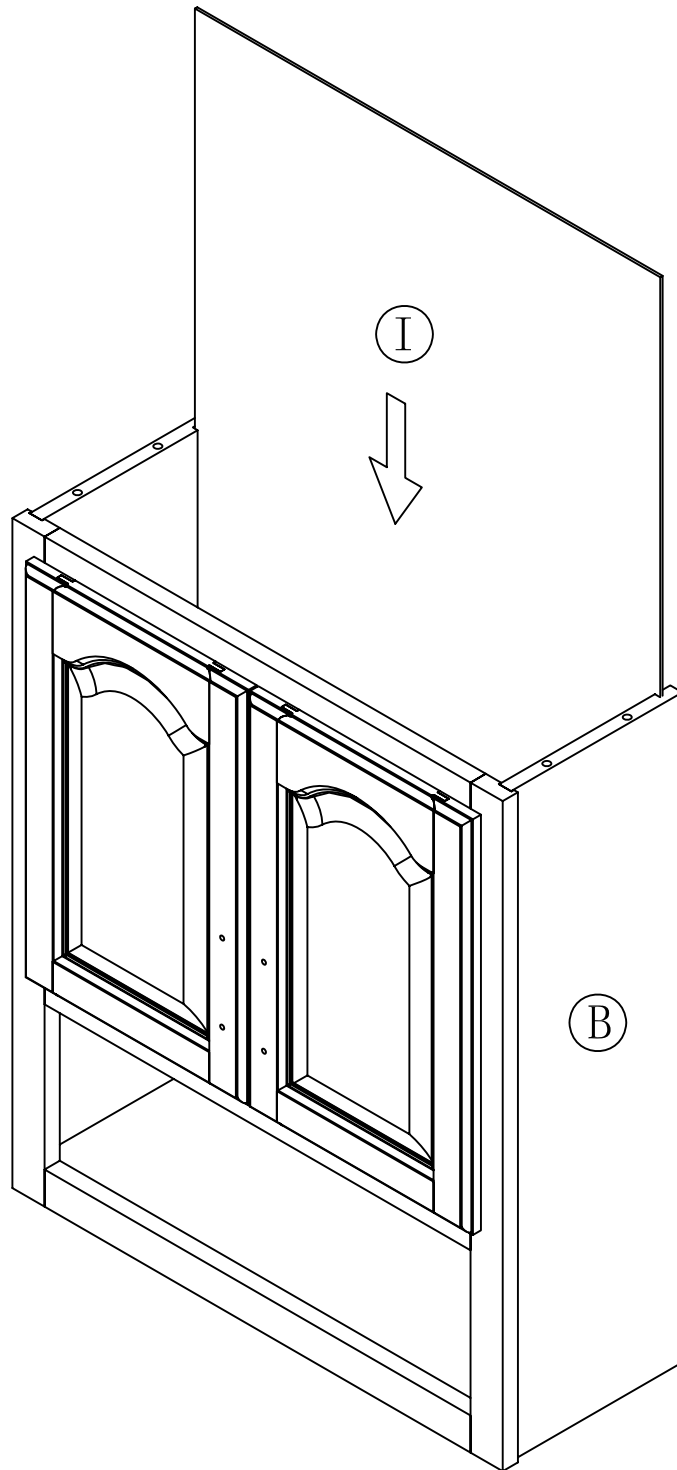
STEP 2



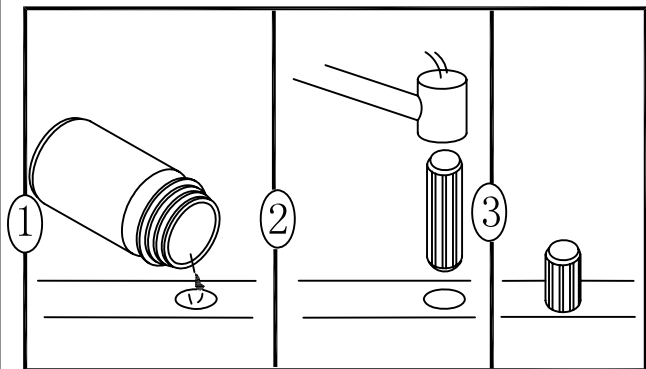
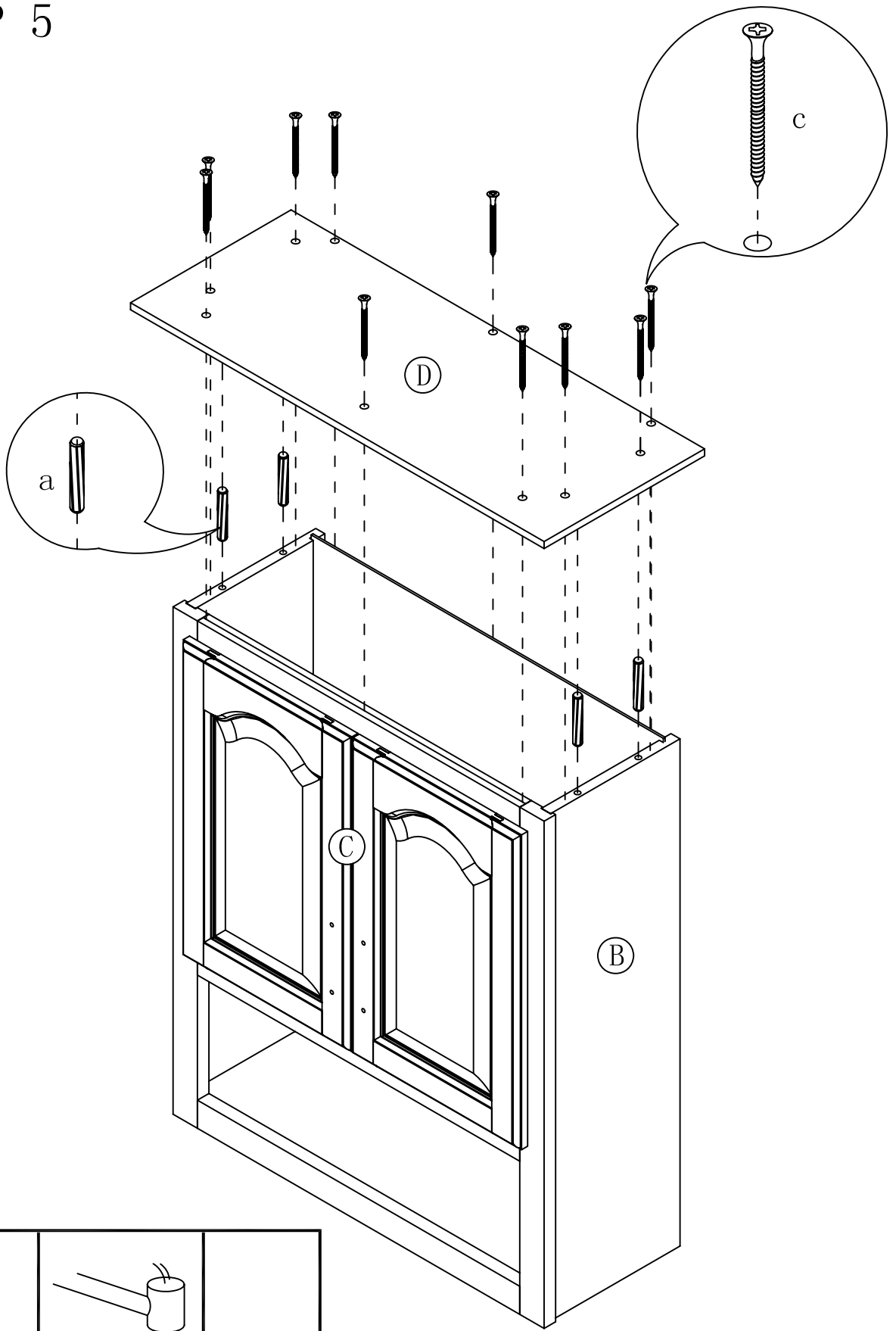
STEP 3



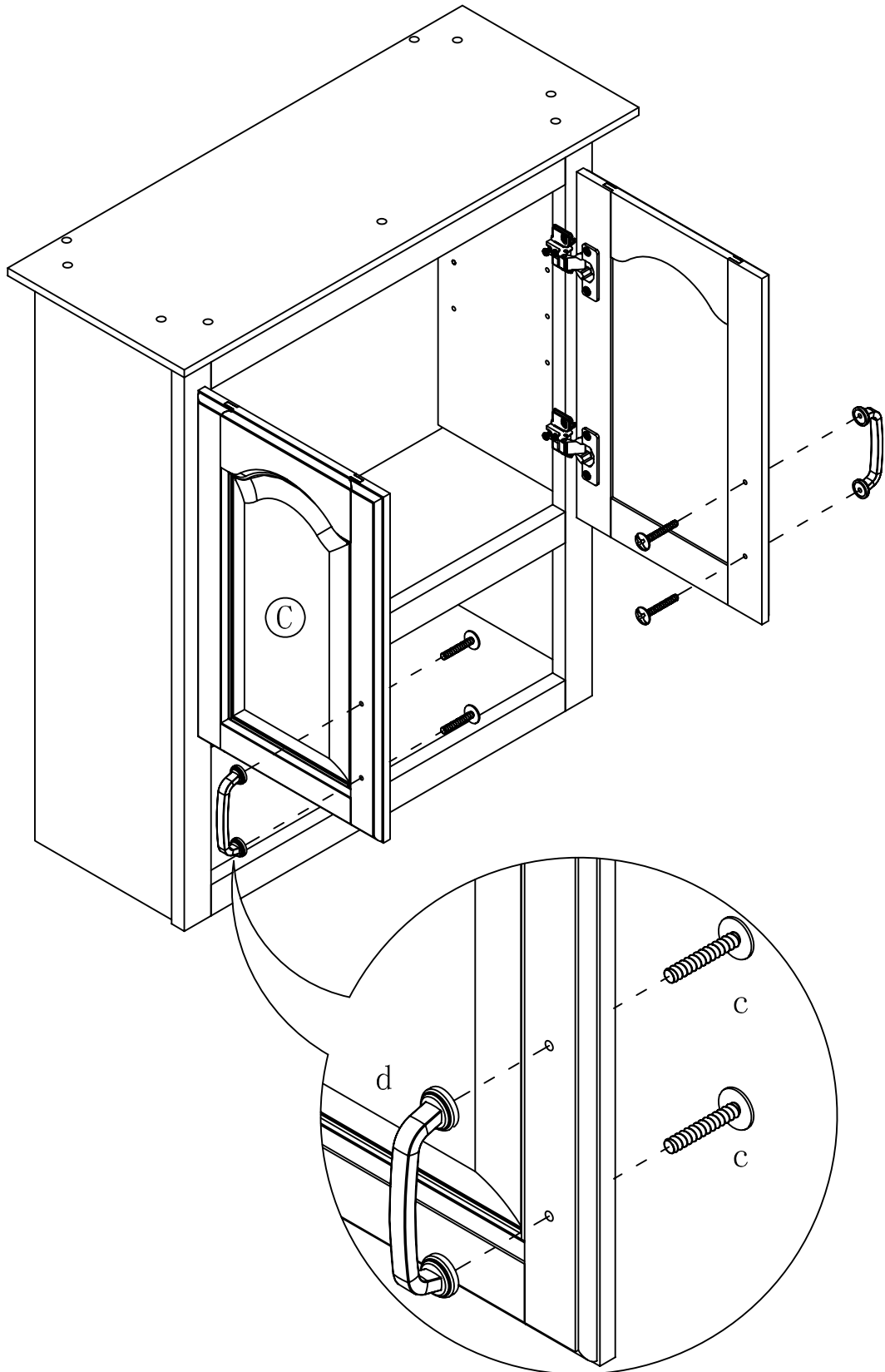
STEP 4



STEP 5



STEP 6



STEP 7

