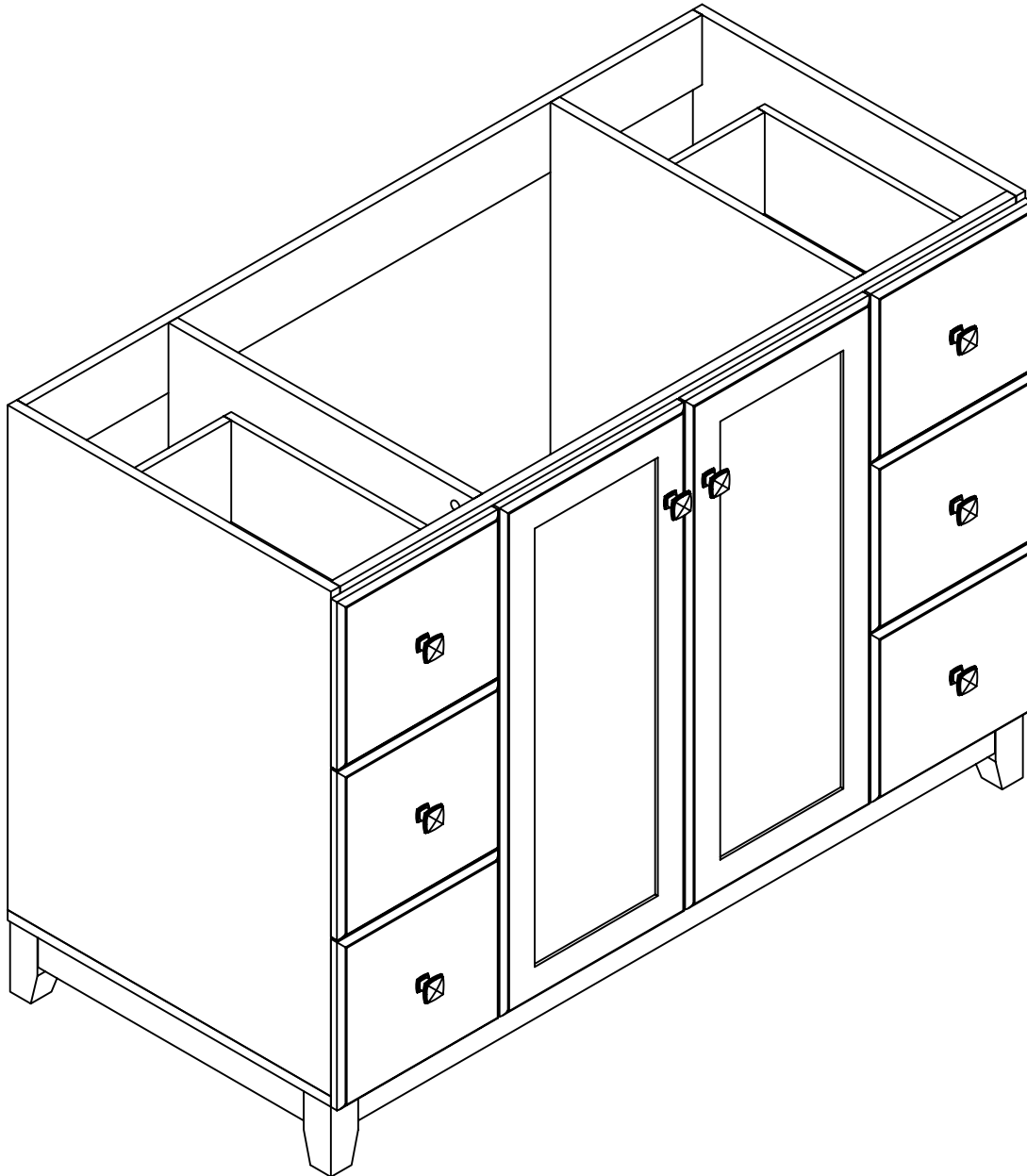




www.todaysdesignhouse.com

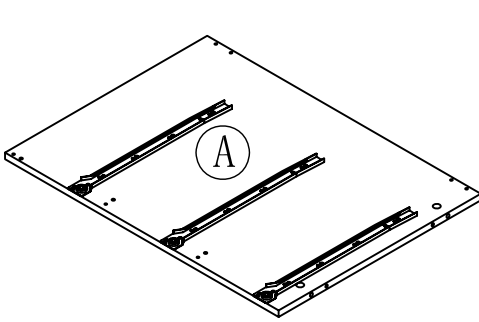


547059-547182

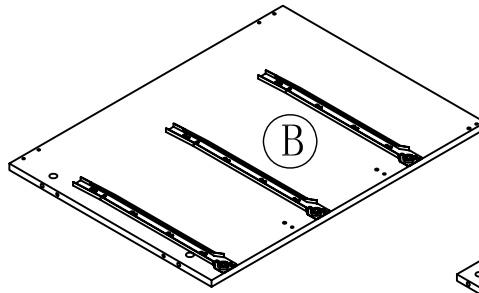
ASSEMBLY INSTRUCTIONS

DHI Corp. • 5205 W. Donges Bay Rd. • Mequon, WI 53092 • 800.558.8700

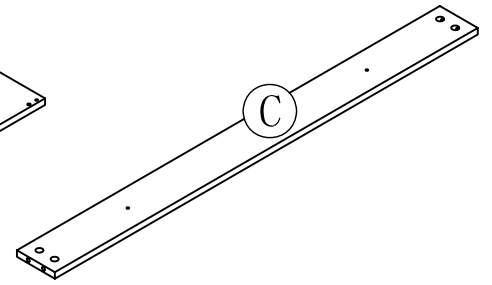
PARTS LIST:



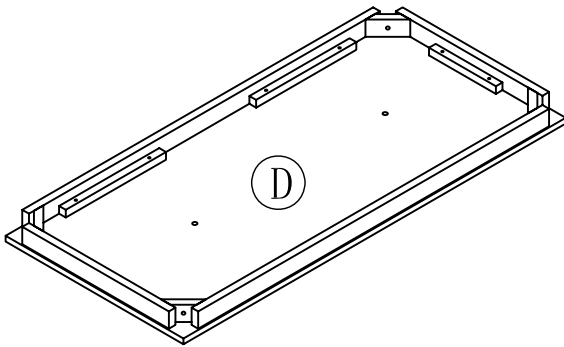
LEFT SIDE PANEL 1PC



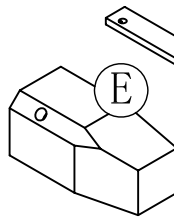
RIGHT SIDE PANEL 1PC



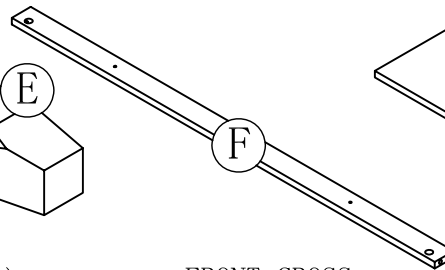
BACK CROSS BRACE 2PCS



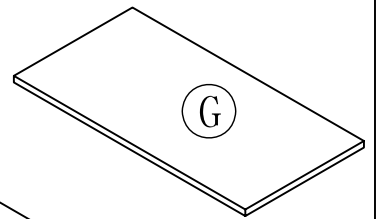
BOTTOM FRAME 1PC



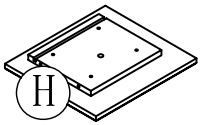
FOOT (1) 4PCS



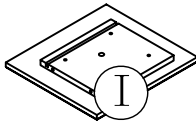
FRONT CROSS BRACE 1PC



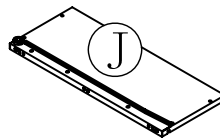
ADJUSTABLE SHELF 1PC



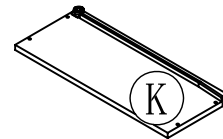
DRAWER FRONT (1) 2PCS



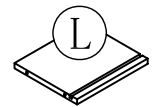
DRAWER FRONT (2) 4PCS



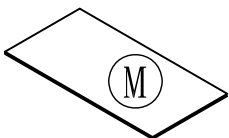
DRAWER LEFT SIDE PANEL 6PCS



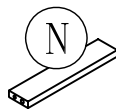
DRAWER RIGHT SIDE PANEL 6PCS



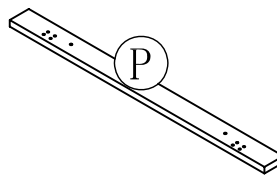
DRAWER BACK PANEL 6PCS



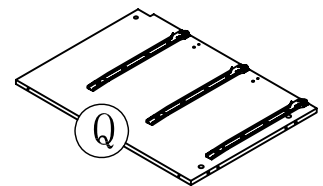
DRAWER BOTTOM PANEL 4PCS



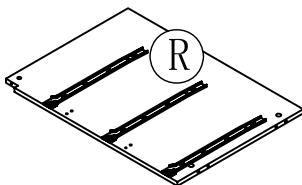
BOTTOM CROSS BRACE 4PCS



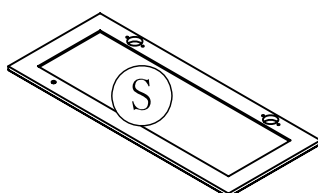
SMALL PARTITION 2PCS



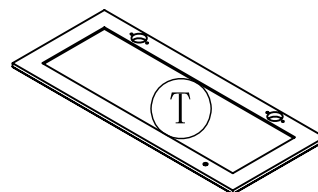
LEFT SIDE PARTITION 1PC



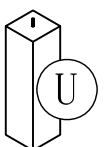
RIGHT SIDE PARTITION 1PC



LEFT SIDE DOOR 1PC



RIGHT SIDE DOOR 1PC

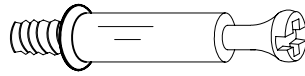


FOOT (2) 2PCS

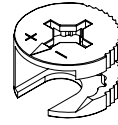
HARDWARE LIST:



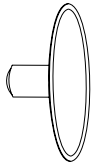
a. WOOD DOWEL 18PCS



b. CAM LOCK SCREW
28PCS



c. CAM LOCK 28PCS



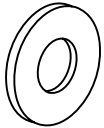
d. PLASTIC COVER
28PCS



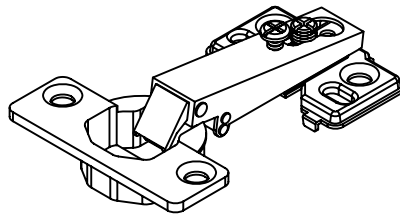
e. PHILIP HEAD SCREW
4PCS



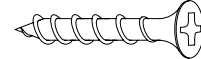
f. SPRING WASHER 4PCS



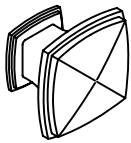
g. WASHER 4PCS



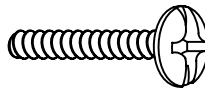
h. HINGE 4PCS



i. 5/8" L FLAT HEAD
SCREW 24PCS



j. KNOB 8PCS



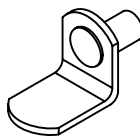
k. KNOB BOLT 8PCS



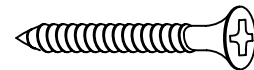
l. WRENCH 1PC



m. GLUE 1PC

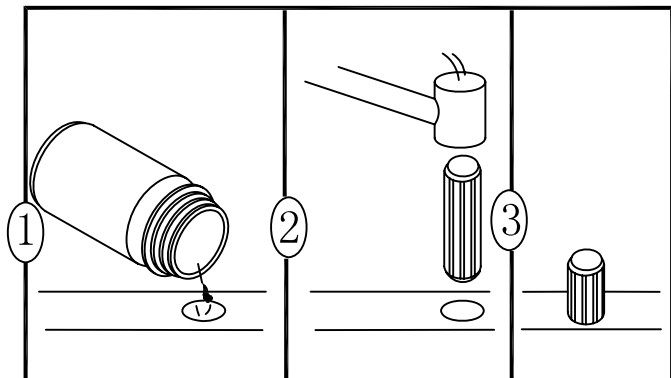
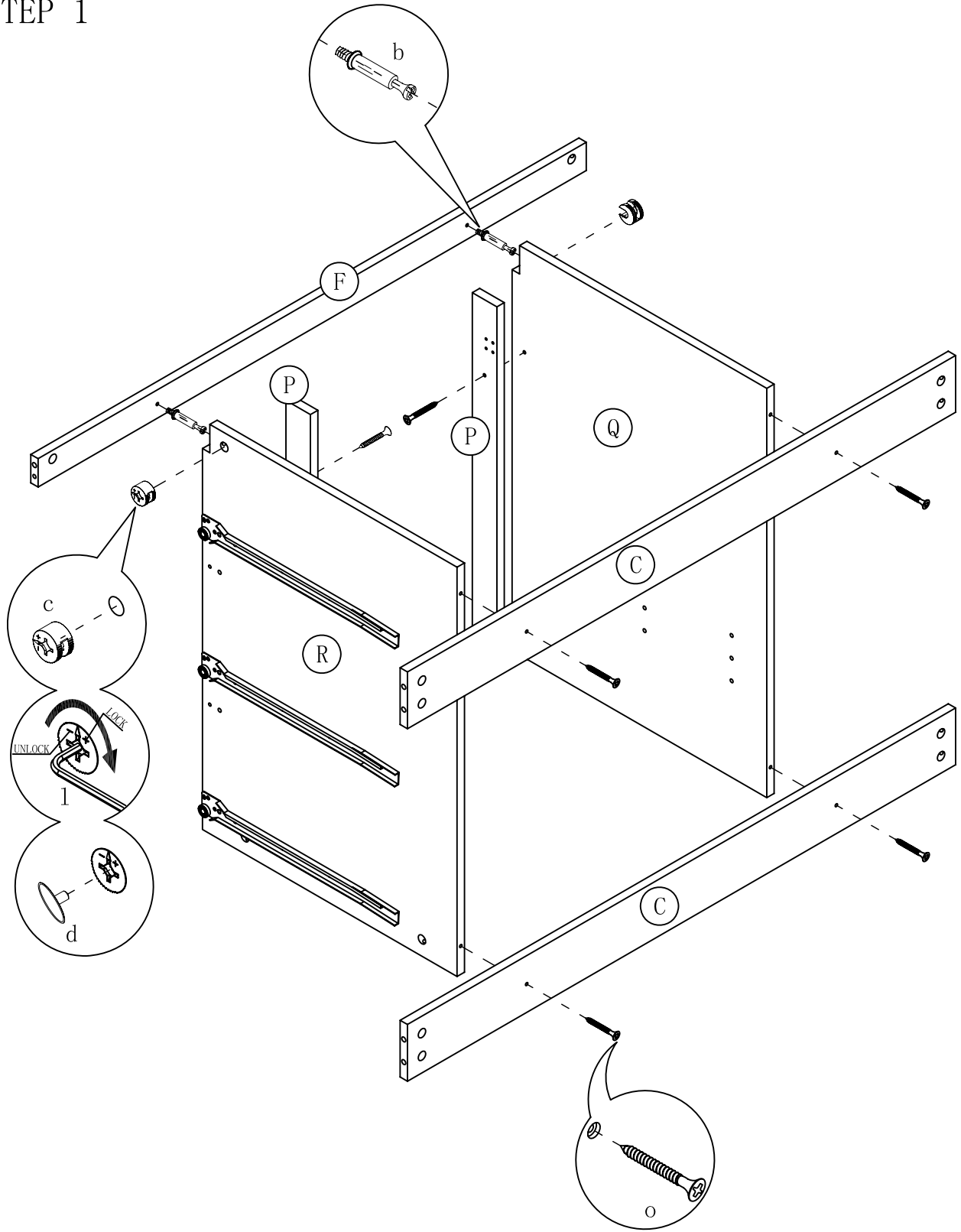


n. SHELF PIN-4PCS

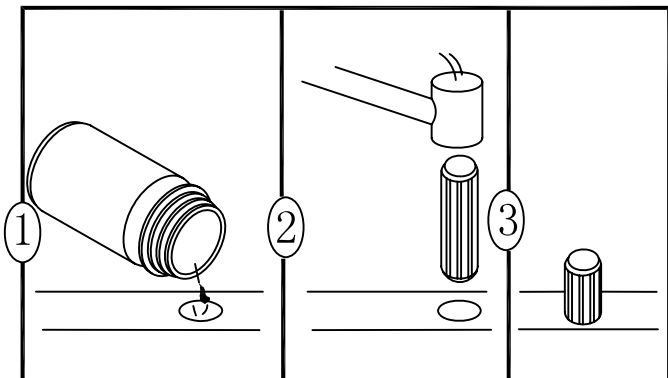
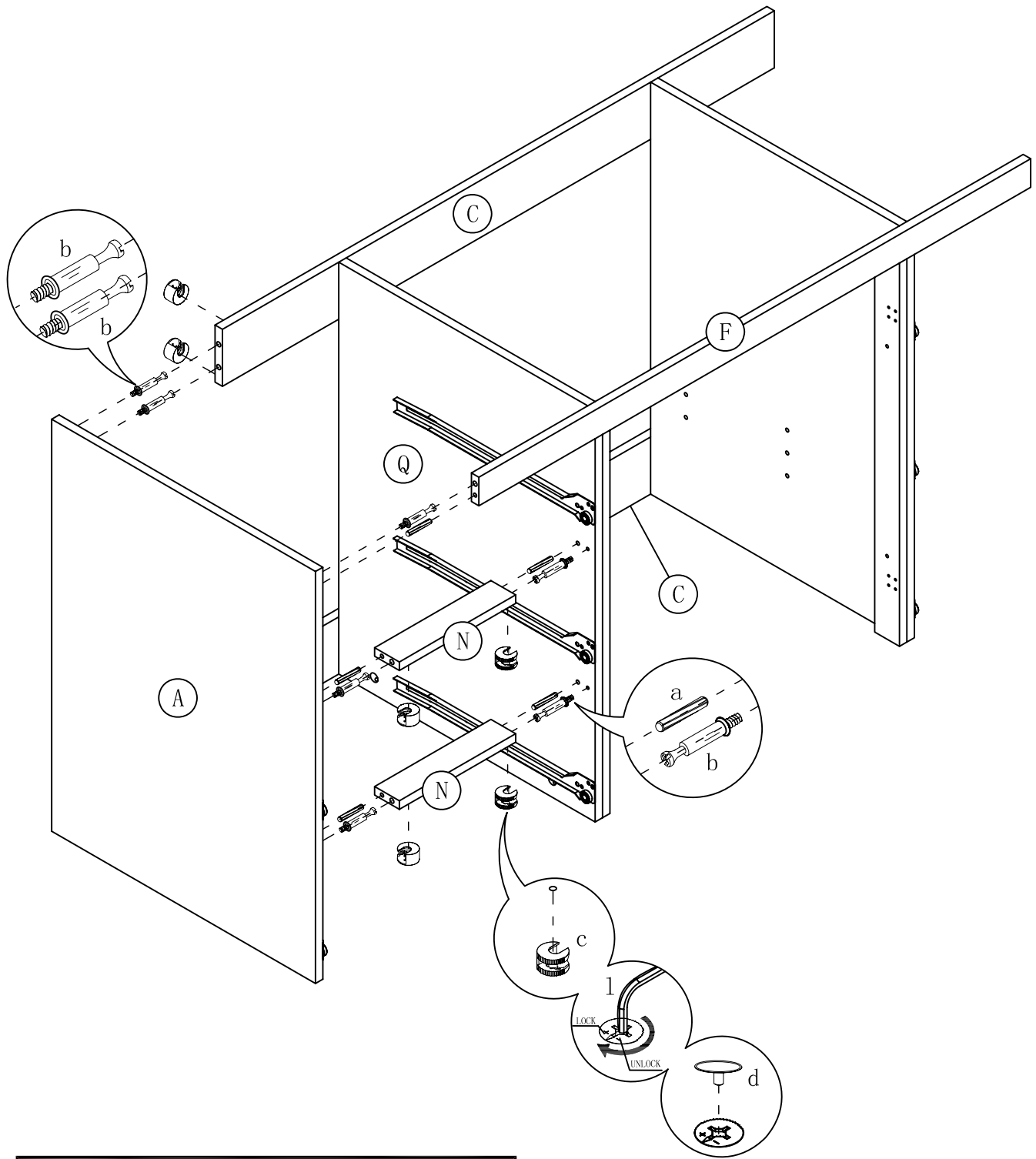


o. 1" L WOOD SCREW 56PCS

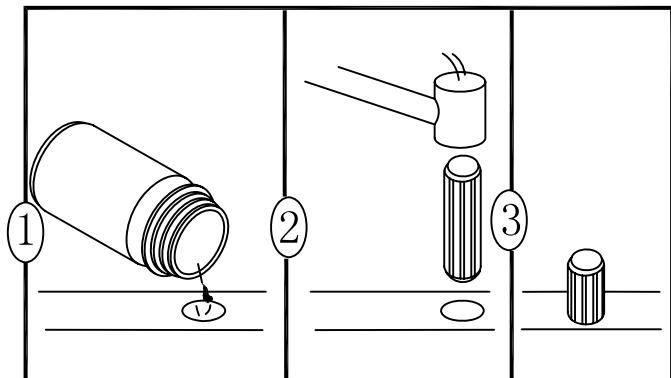
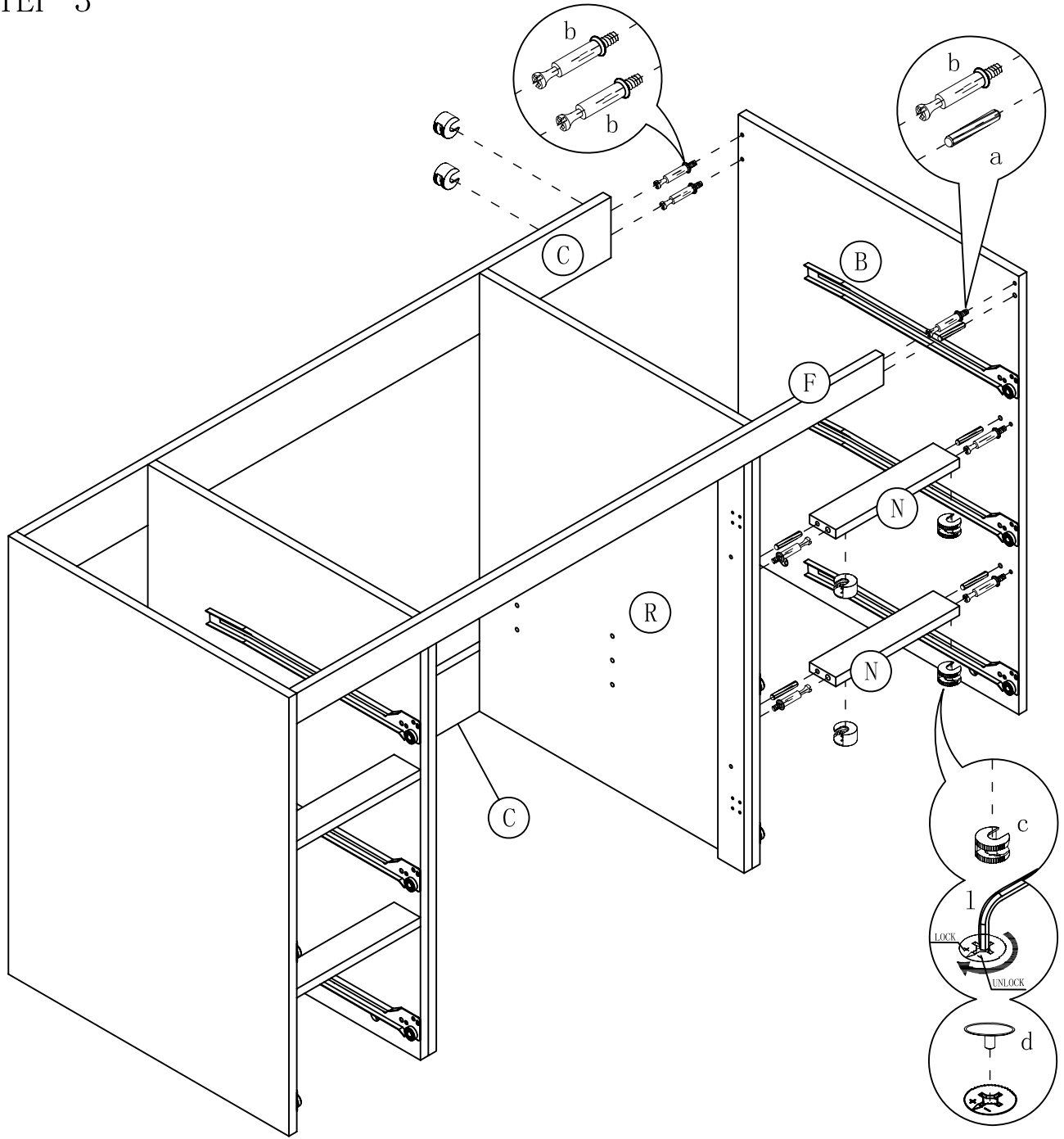
STEP 1



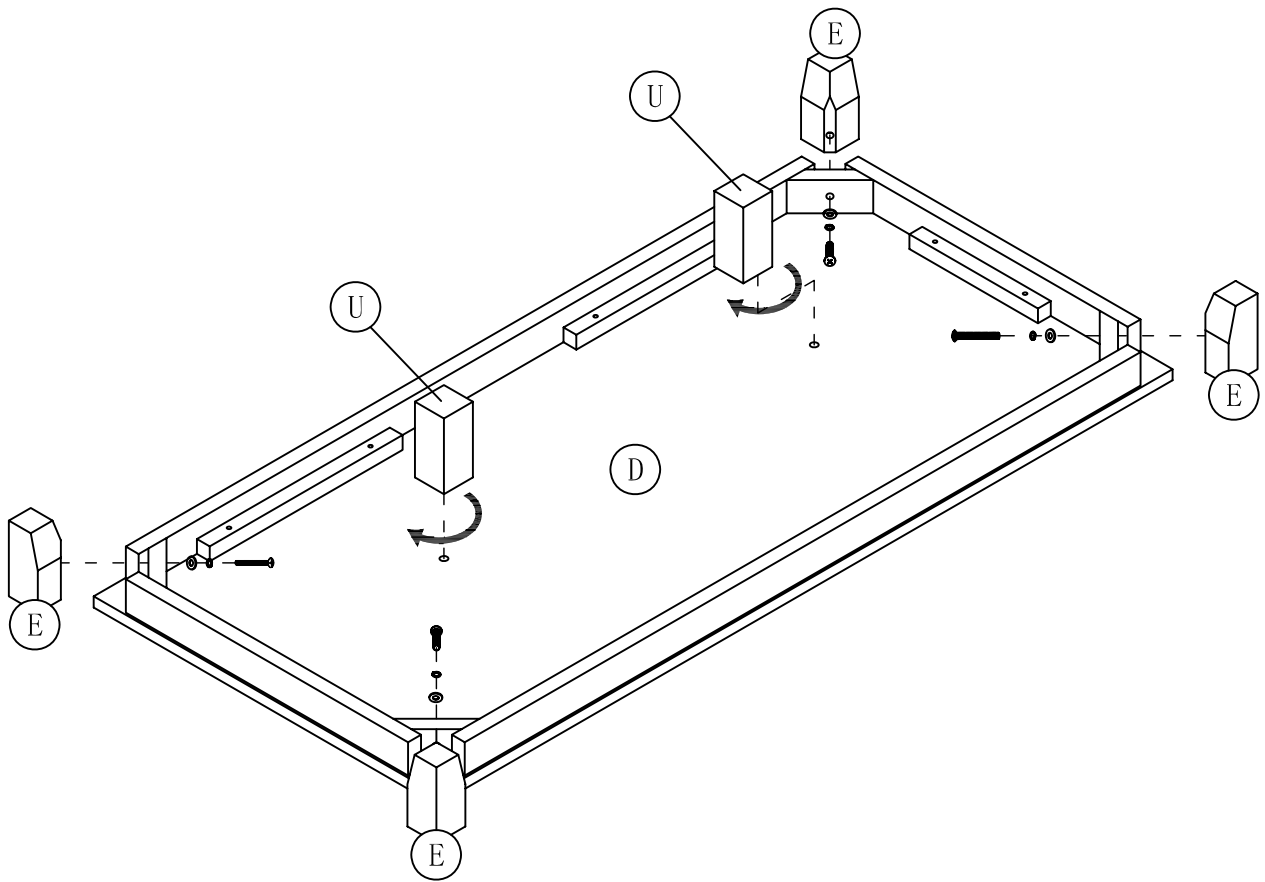
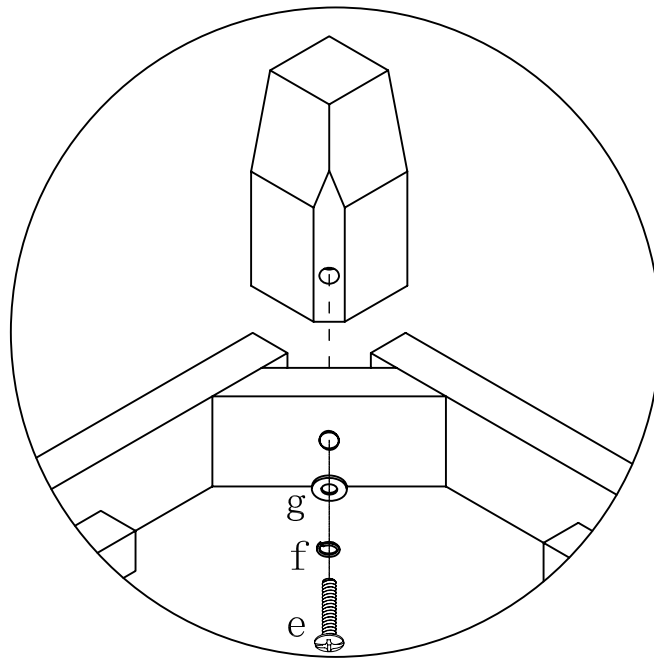
STEP 2



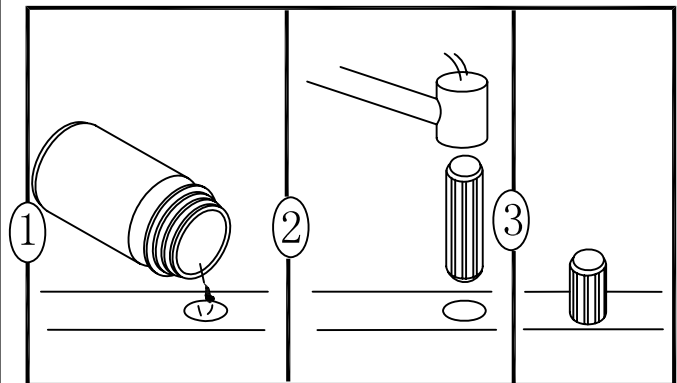
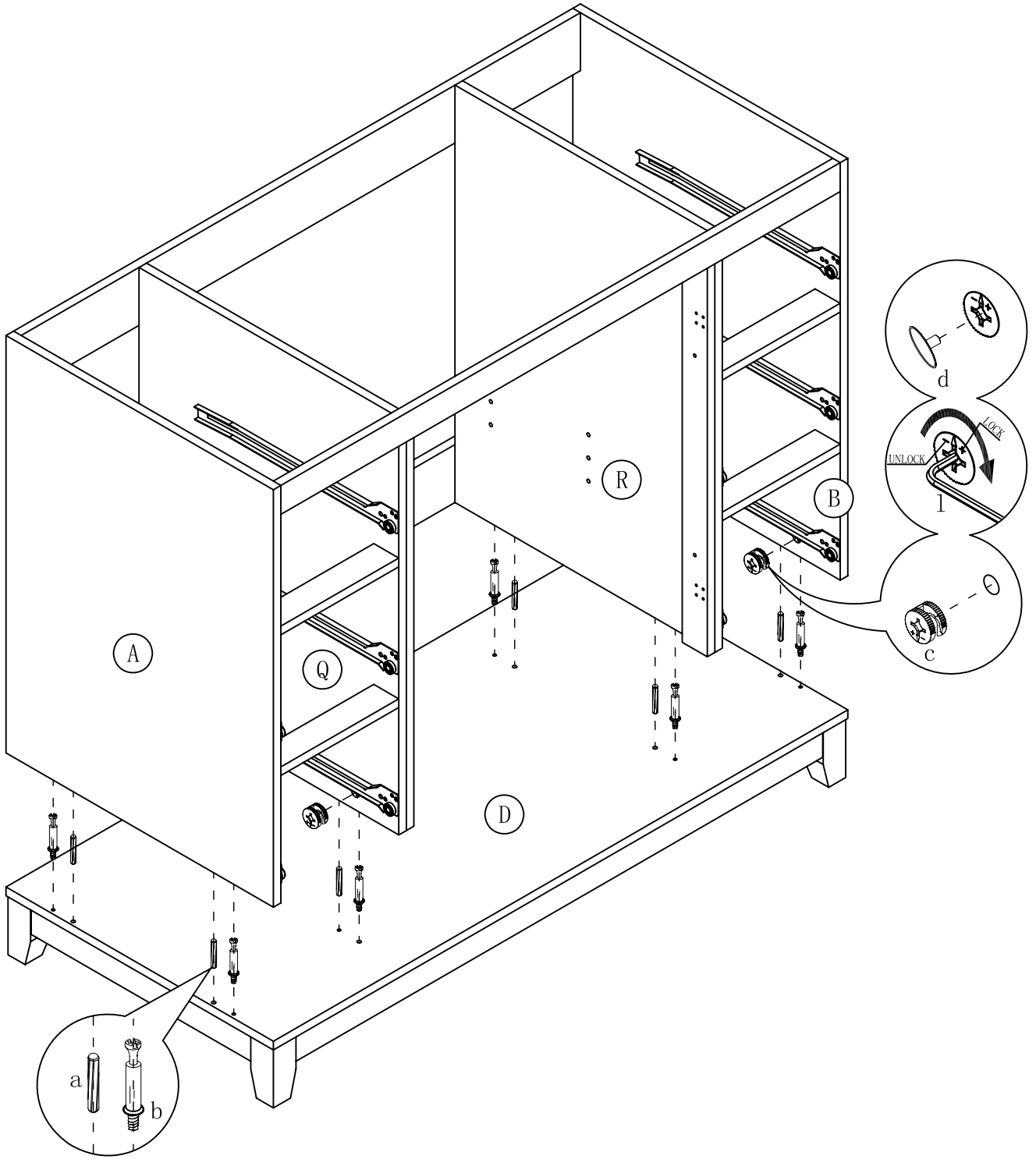
STEP 3



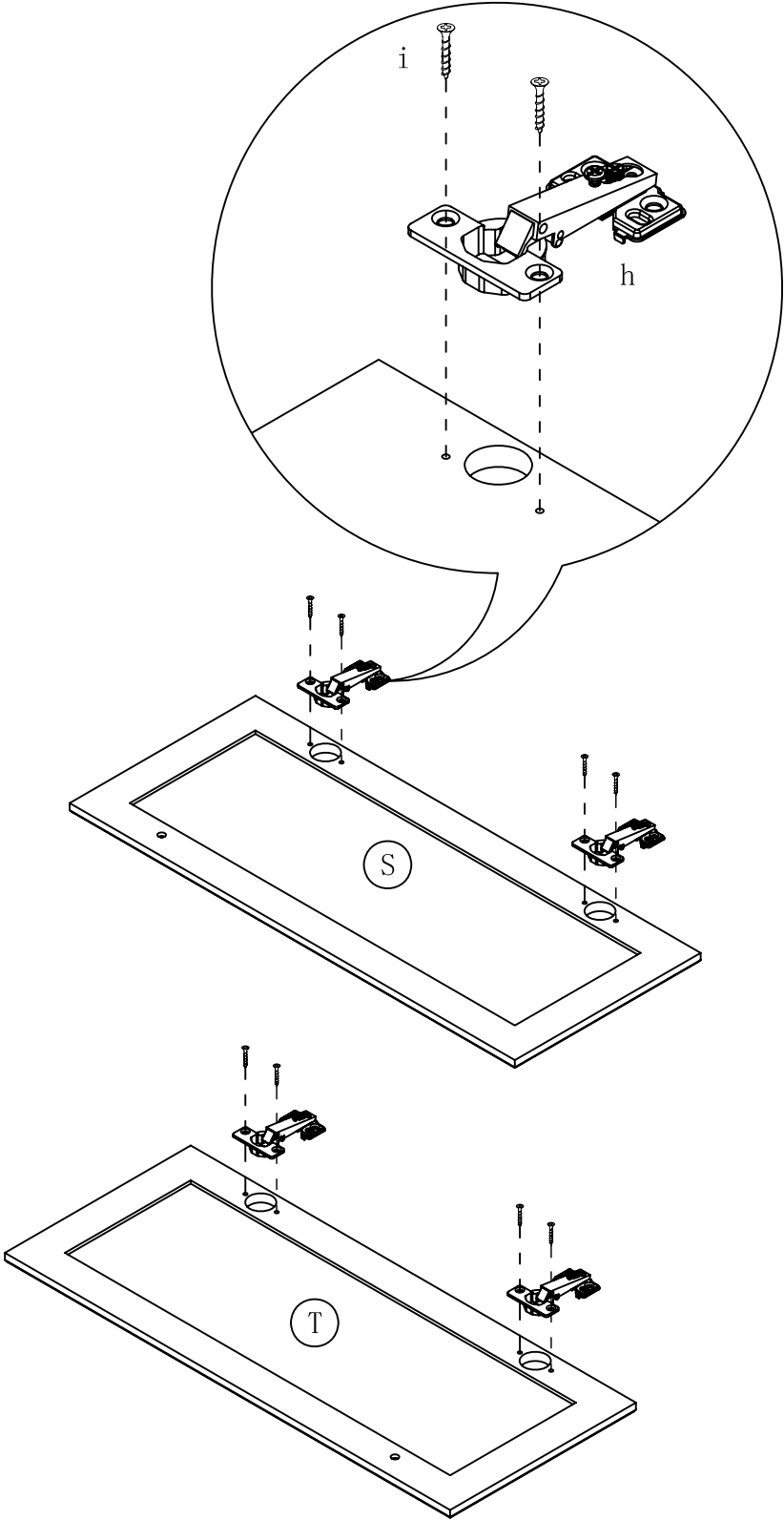
STEP 4



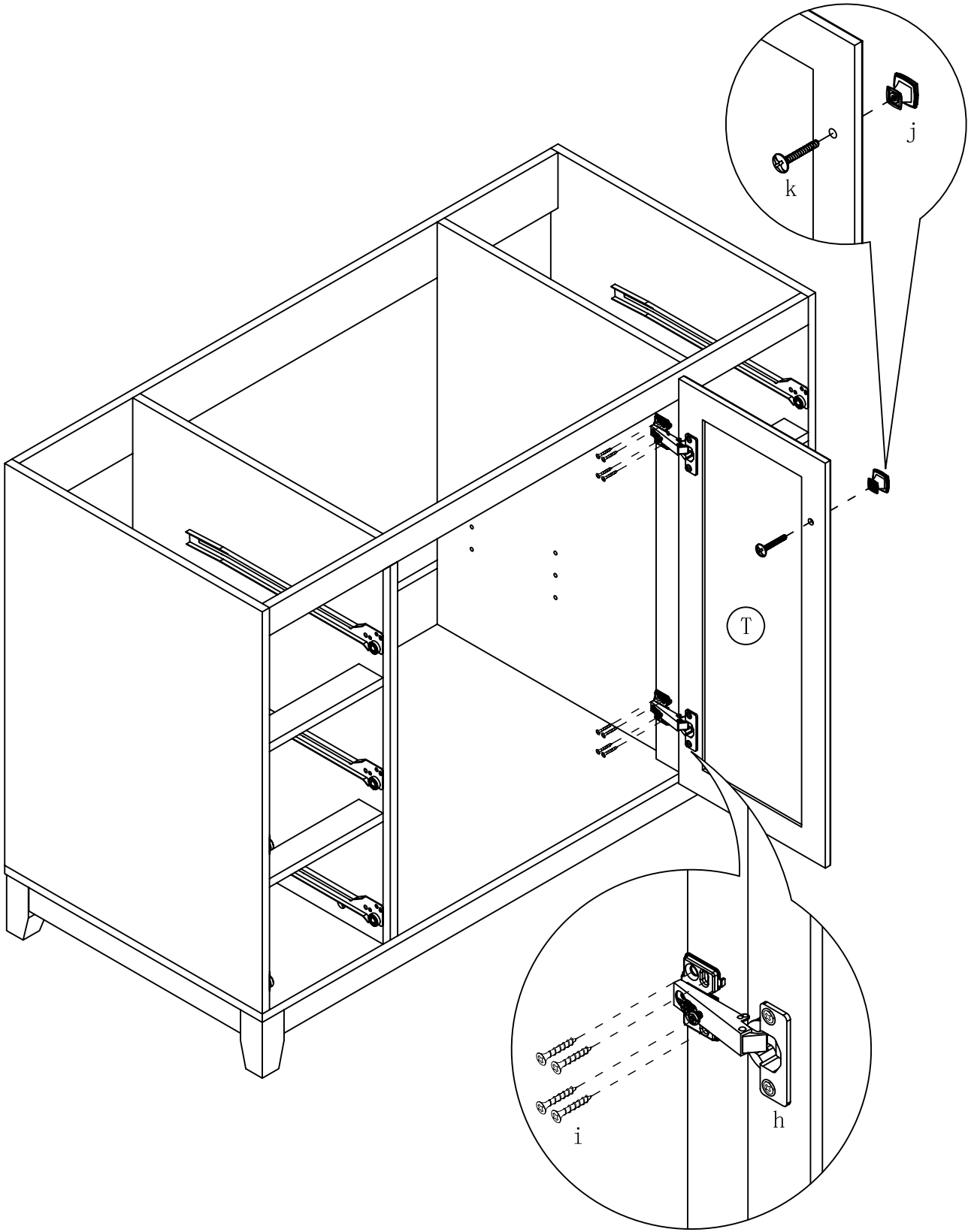
STEP 5



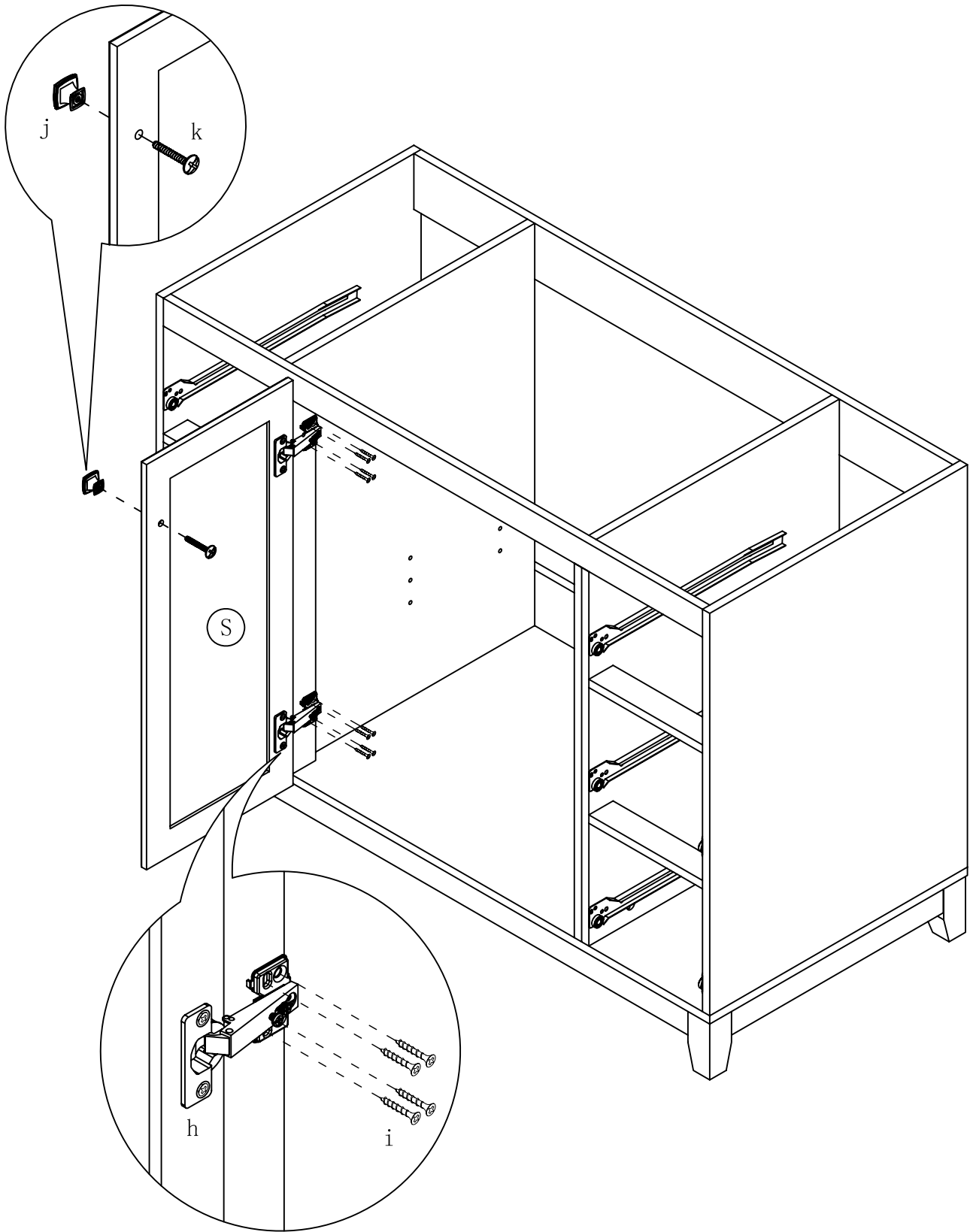
STEP 6



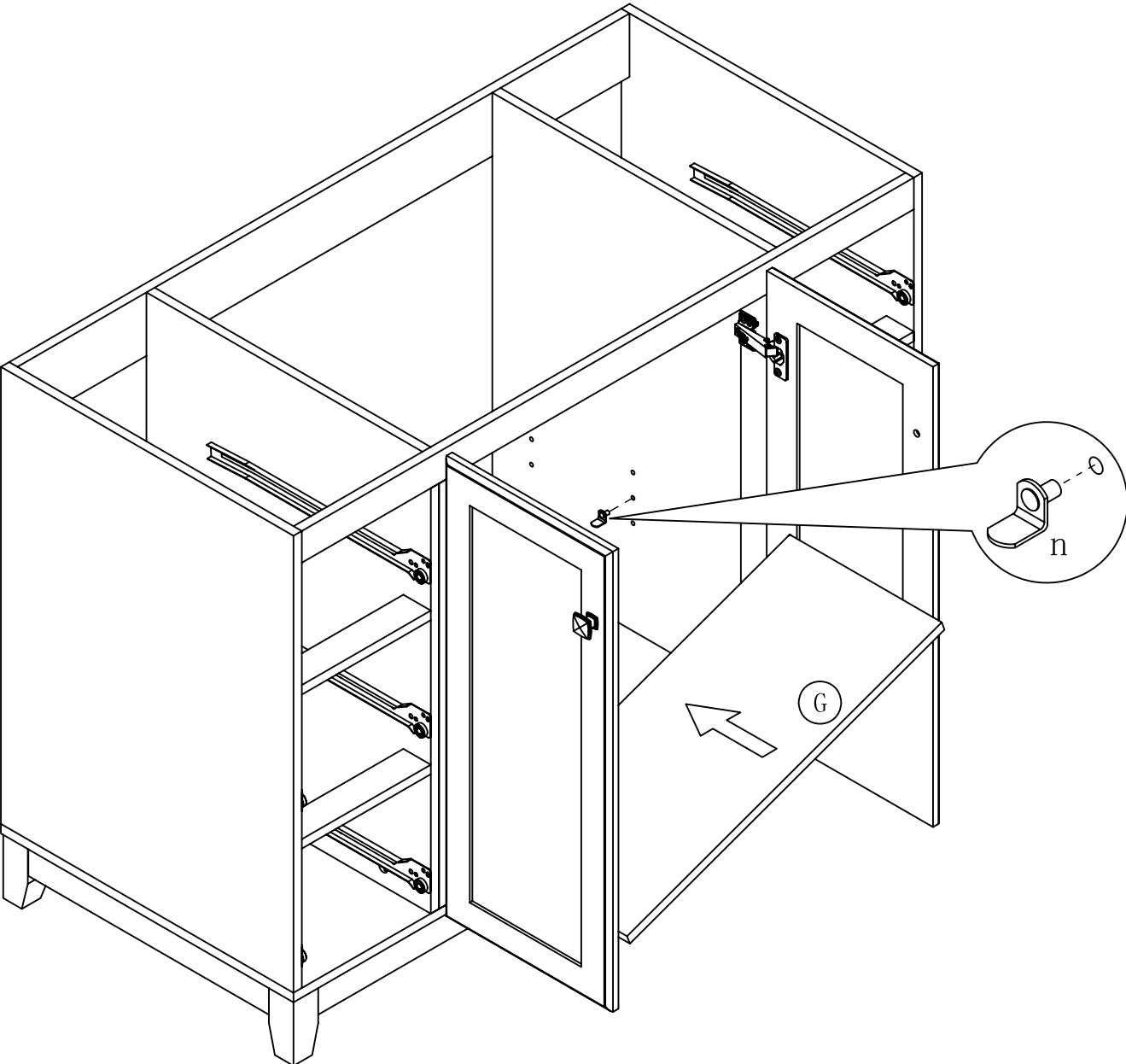
STEP 7



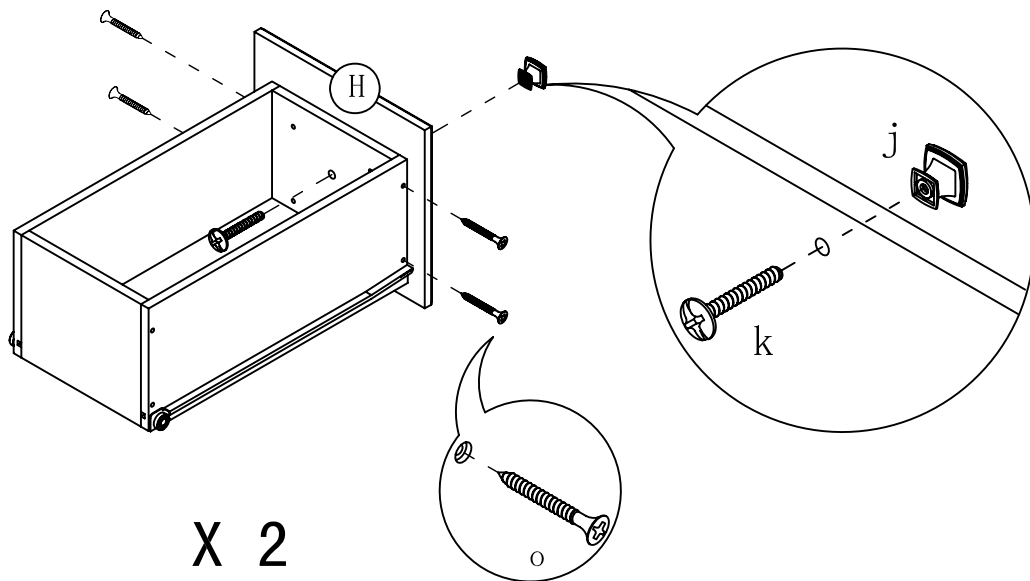
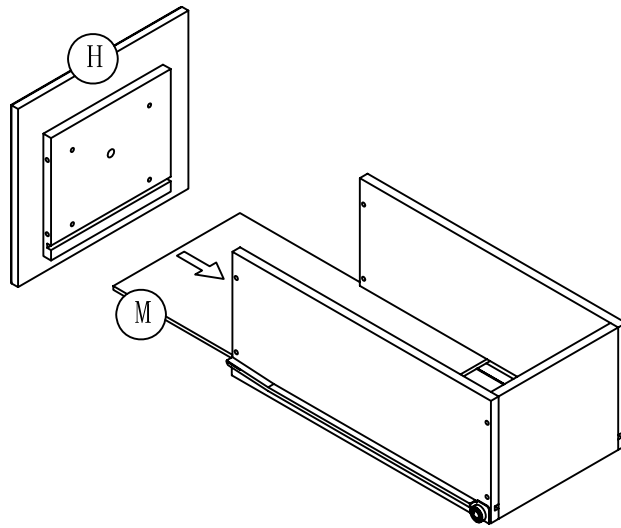
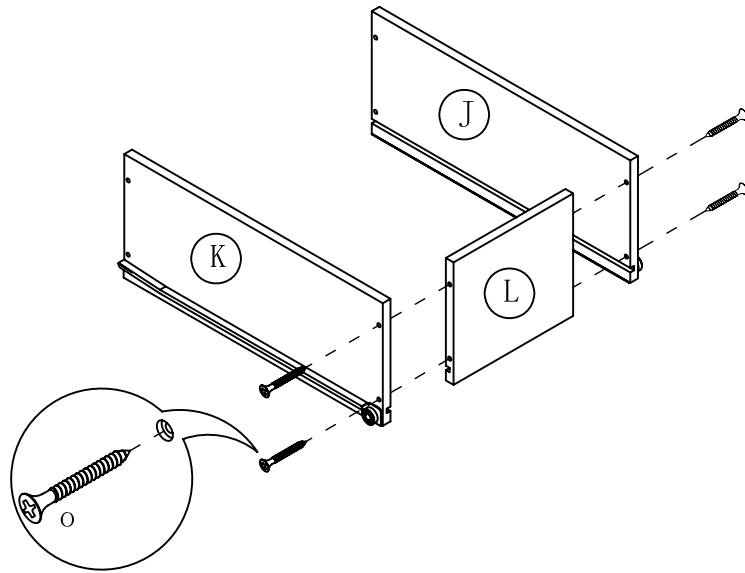
STEP 8



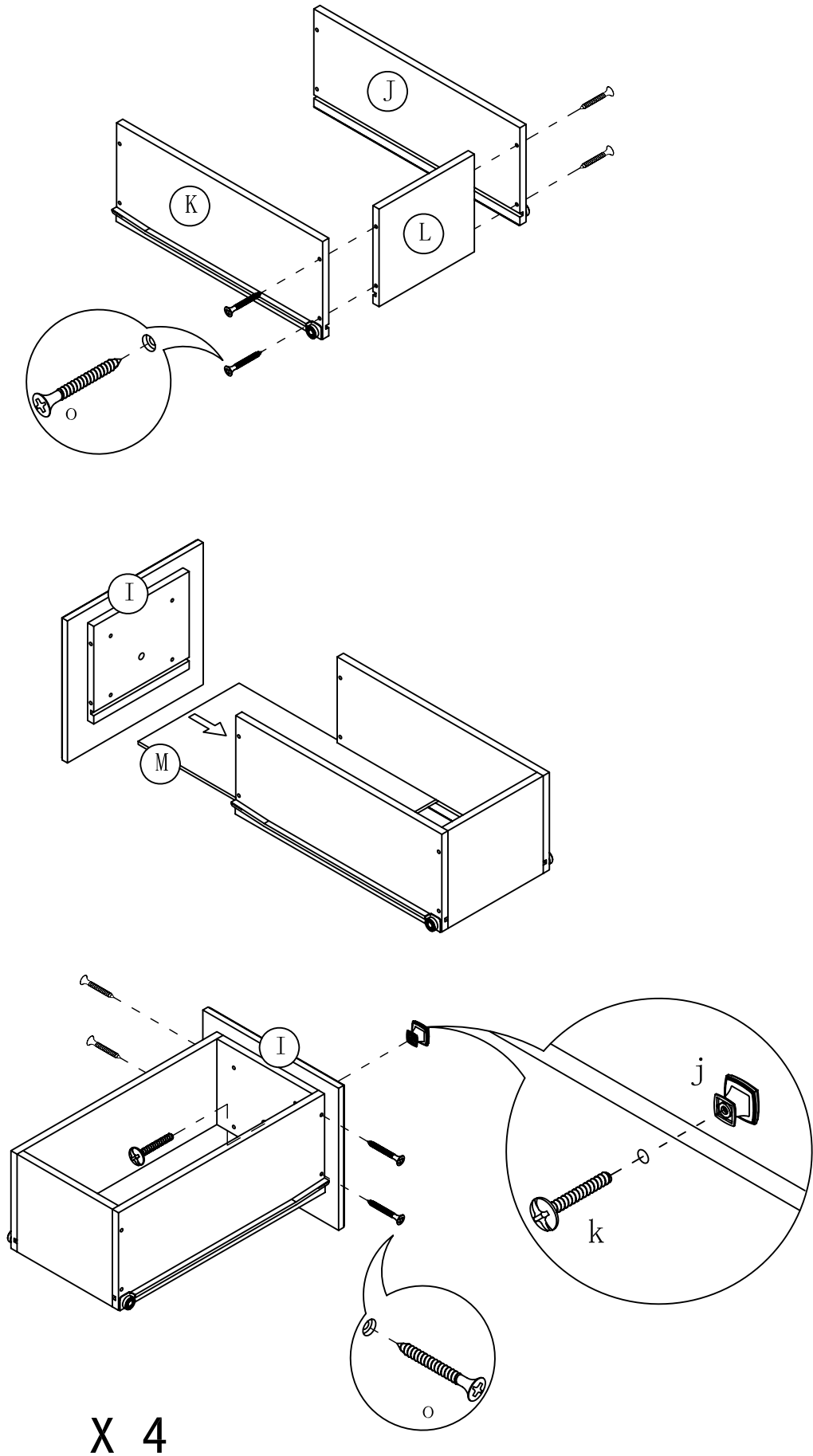
STEP 9



STEP 10



STEP 11



STEP 12

