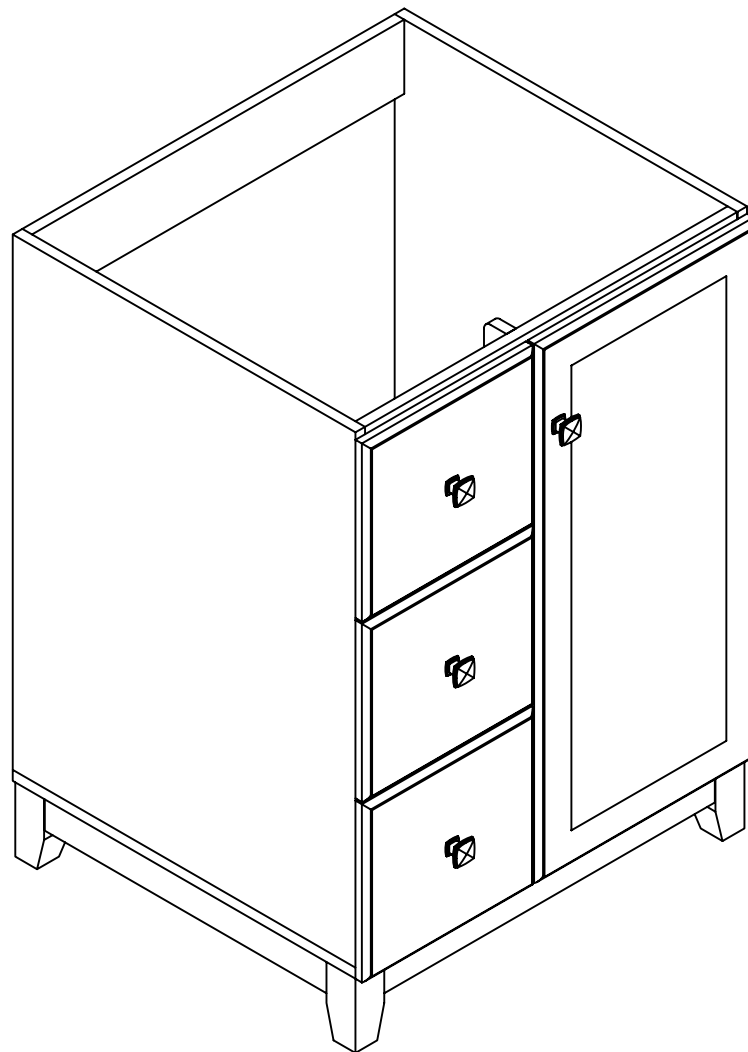




www.todaysdesignhouse.com

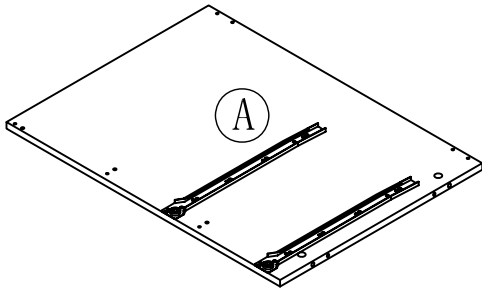


546994-547018-547026-547125-547141-547158

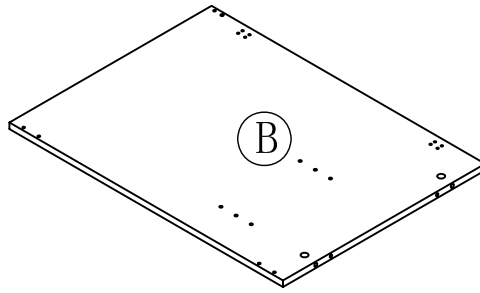
ASSEMBLY INSTRUCTIONS

DHI Corp. • 5205 W. Donges Bay Rd. • Mequon, WI 53092 • 800.558.8700

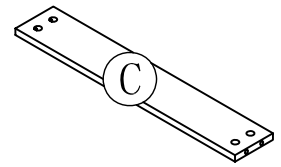
PARTS LIST:



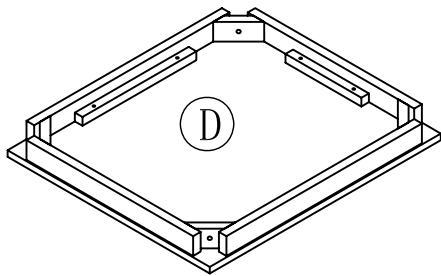
LEFT SIDE PANEL 1PC



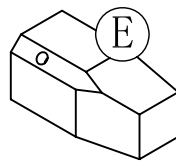
RIGHT SIDE PANEL 1PC



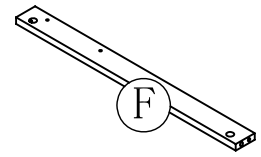
BACK CROSS BRACE 2PCS



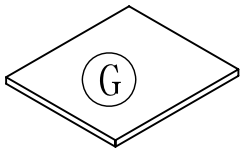
BOTTOM FRAME 1PC



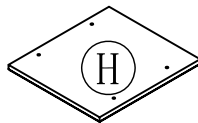
FOOT 4PCS



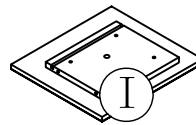
FRONT CROSS BRACE 1PC



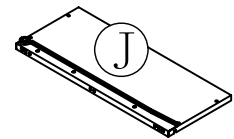
ADJUSTABLE SHELF 1PC



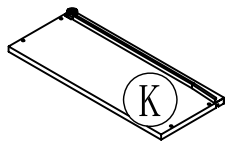
FALSE DRAWER PANEL 1PC



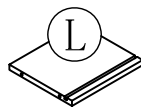
DRAWER FRONT 2PCS



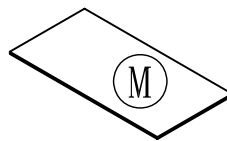
DRAWER LEFT SIDE PANEL 2PCS



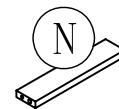
DRAWER RIGHT SIDE PANEL 2PCS



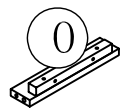
DRAWER BACK PANEL 2PCS



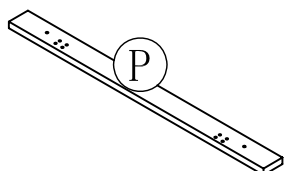
DRAWER BOTTOM PANEL 2PCS



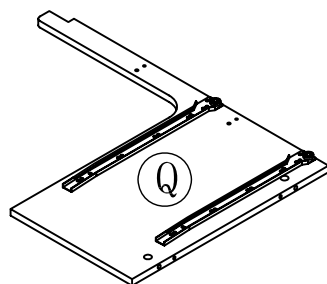
BOTTOM CROSS BRACE 1PC



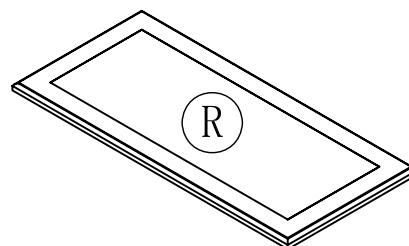
TOP CROSS BRACE 1PC



SMALL PARTITION 1PC



BIG PARTITION 1PC

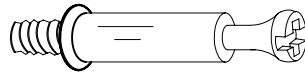


DOOR 1PC

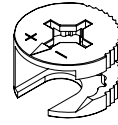
HARDWARE LIST:



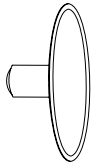
a. WOOD DOWEL 12PCS



b. CAM LOCK SCREW 20PCS



c. CAM LOCK 20PCS



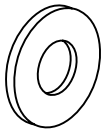
d. PLASTIC COVER 20PCS



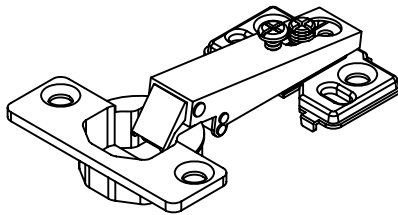
e. PHILIP HEAD SCREW 4PCS



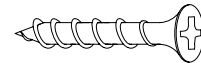
f. SPRING WASHER 4PCS



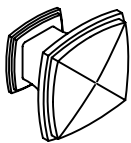
g. WASHER 4PCS



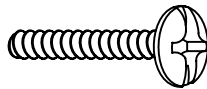
h. HINGE 2PCS



i. 5/8" L FLAT HEAD SCREW 12PCS



j. KNOB 4PCS



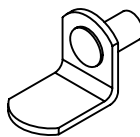
k. KNOB BOLT 4PCS



l. WRENCH 1PC



m. GLUE 1PC

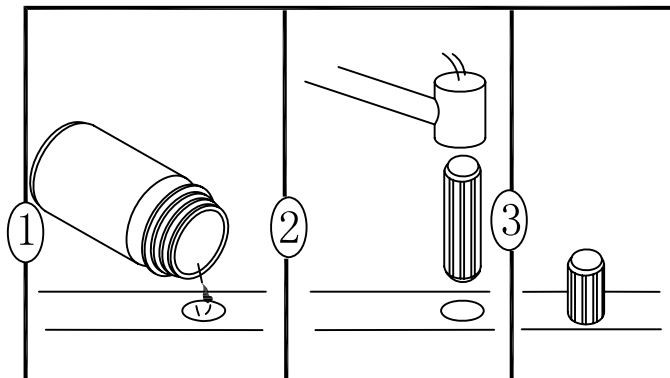
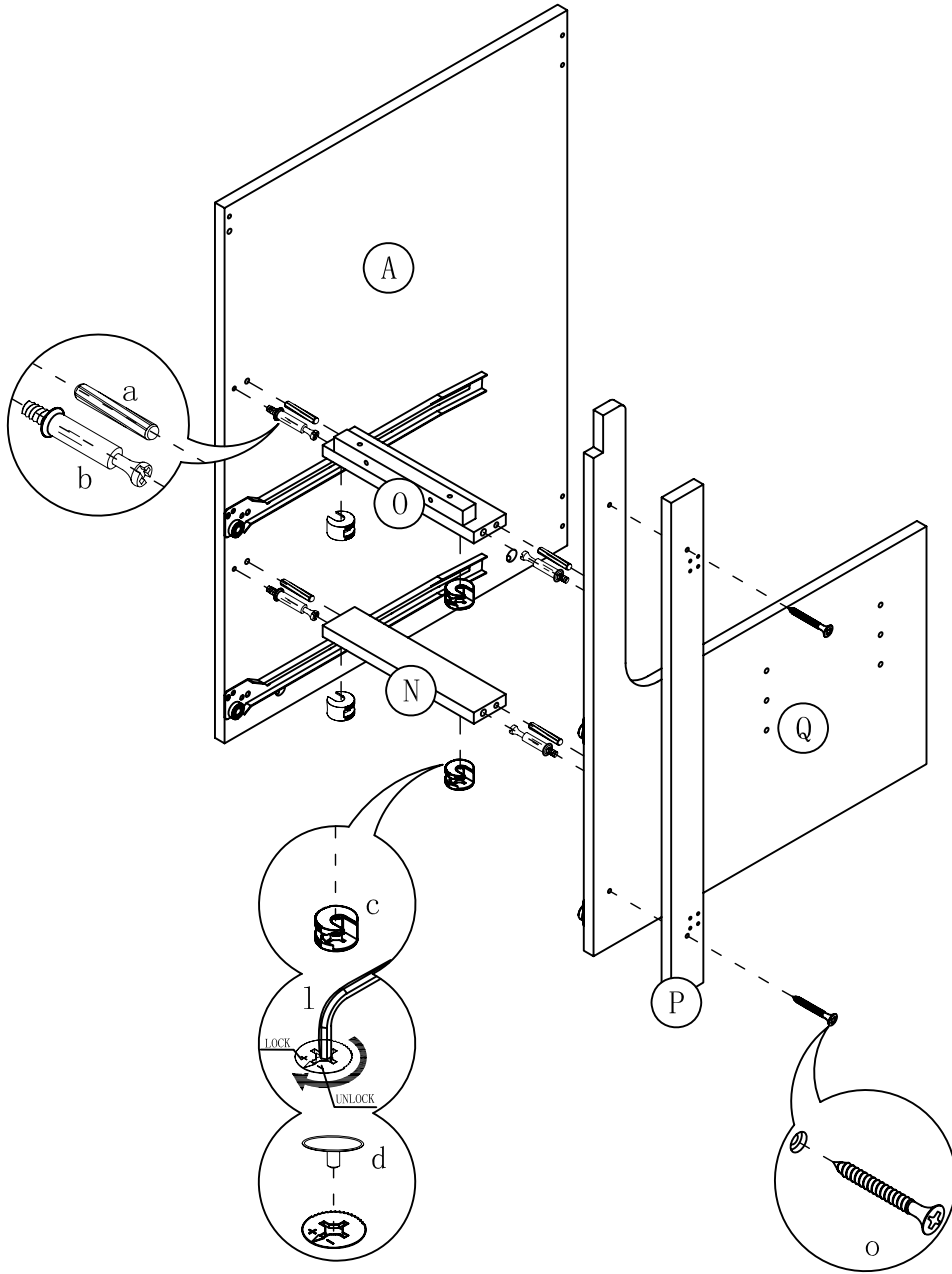


n. SHELF PIN-4PCS

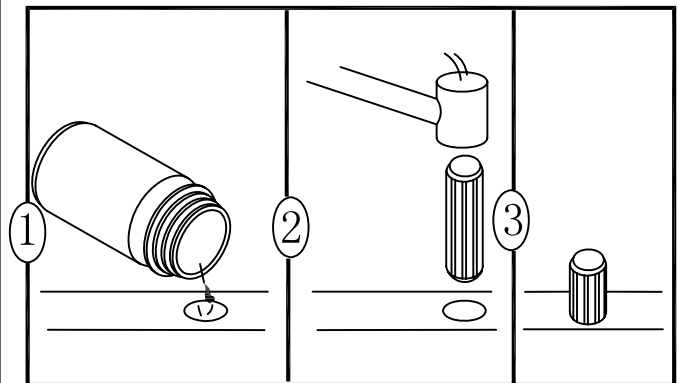
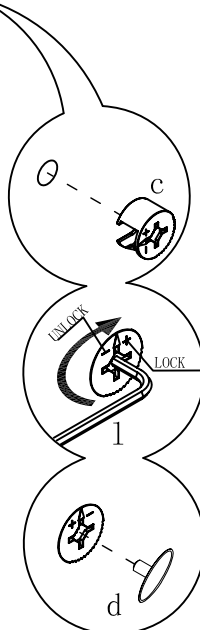
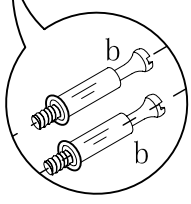
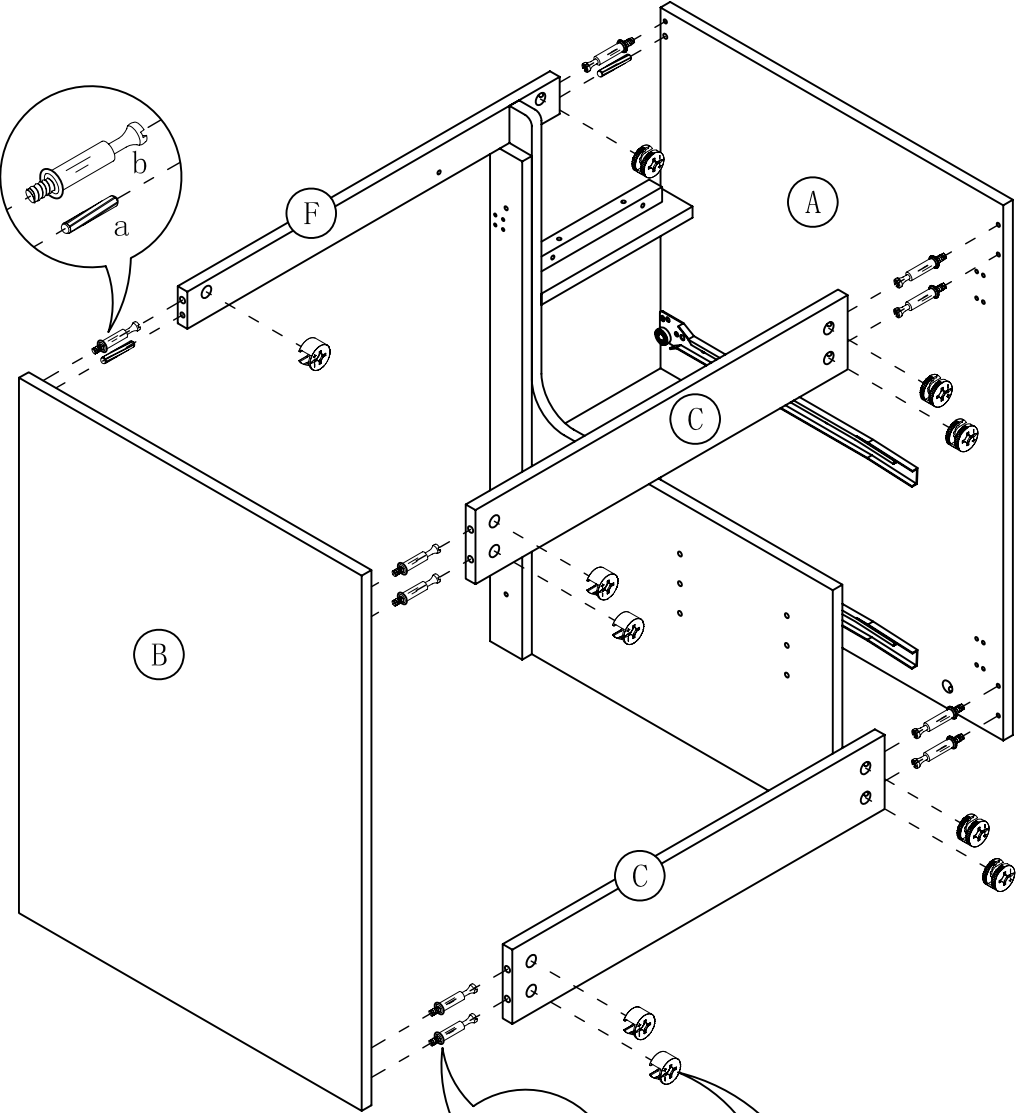


o. 1" L WOOD SCREW 22PCS

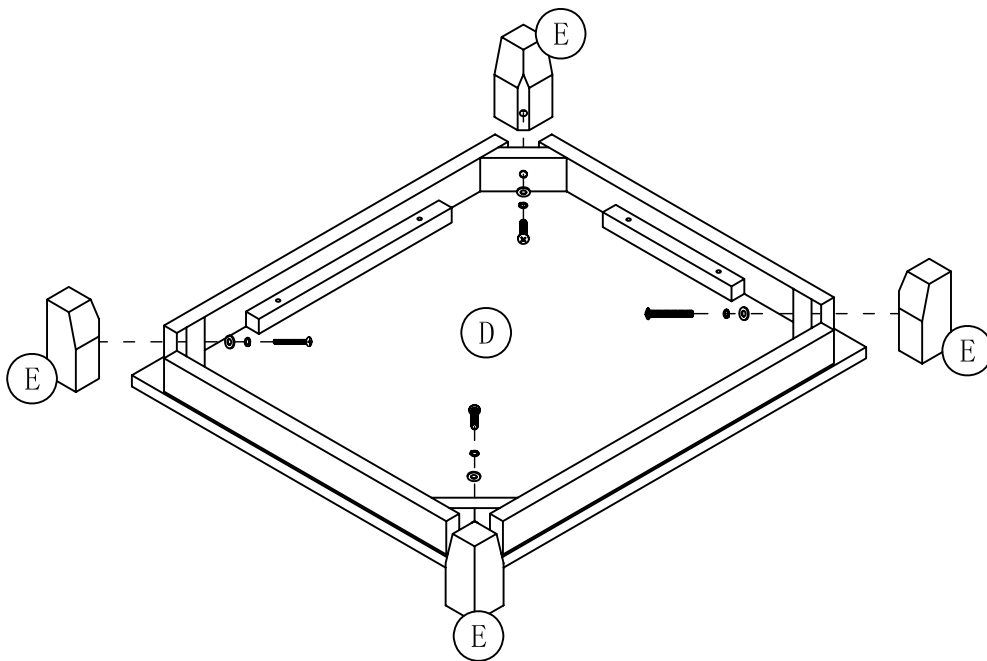
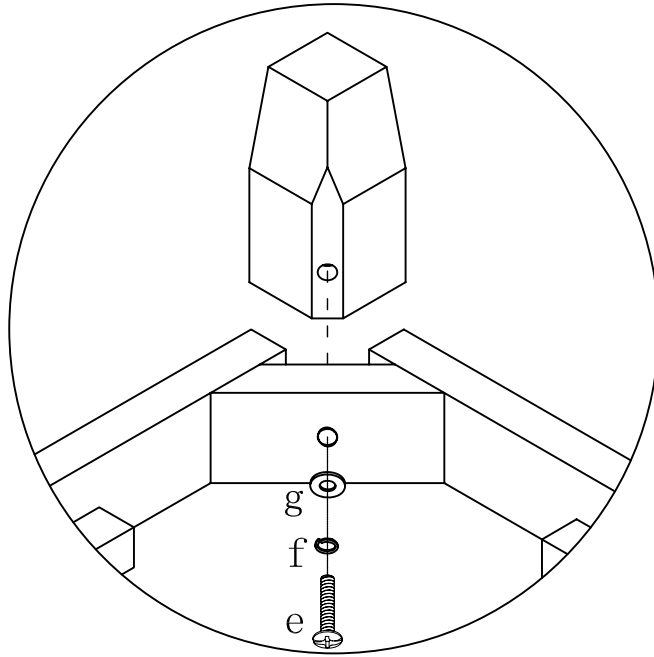
STEP 1



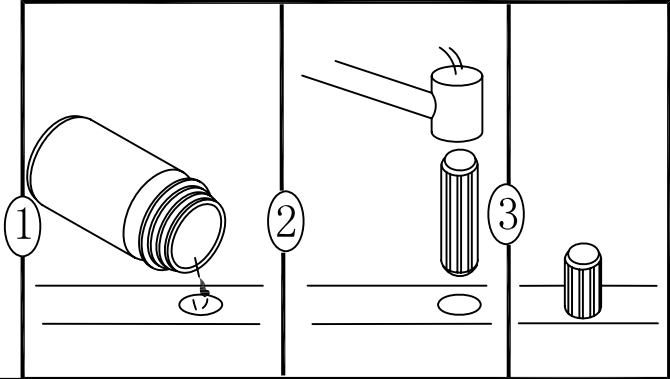
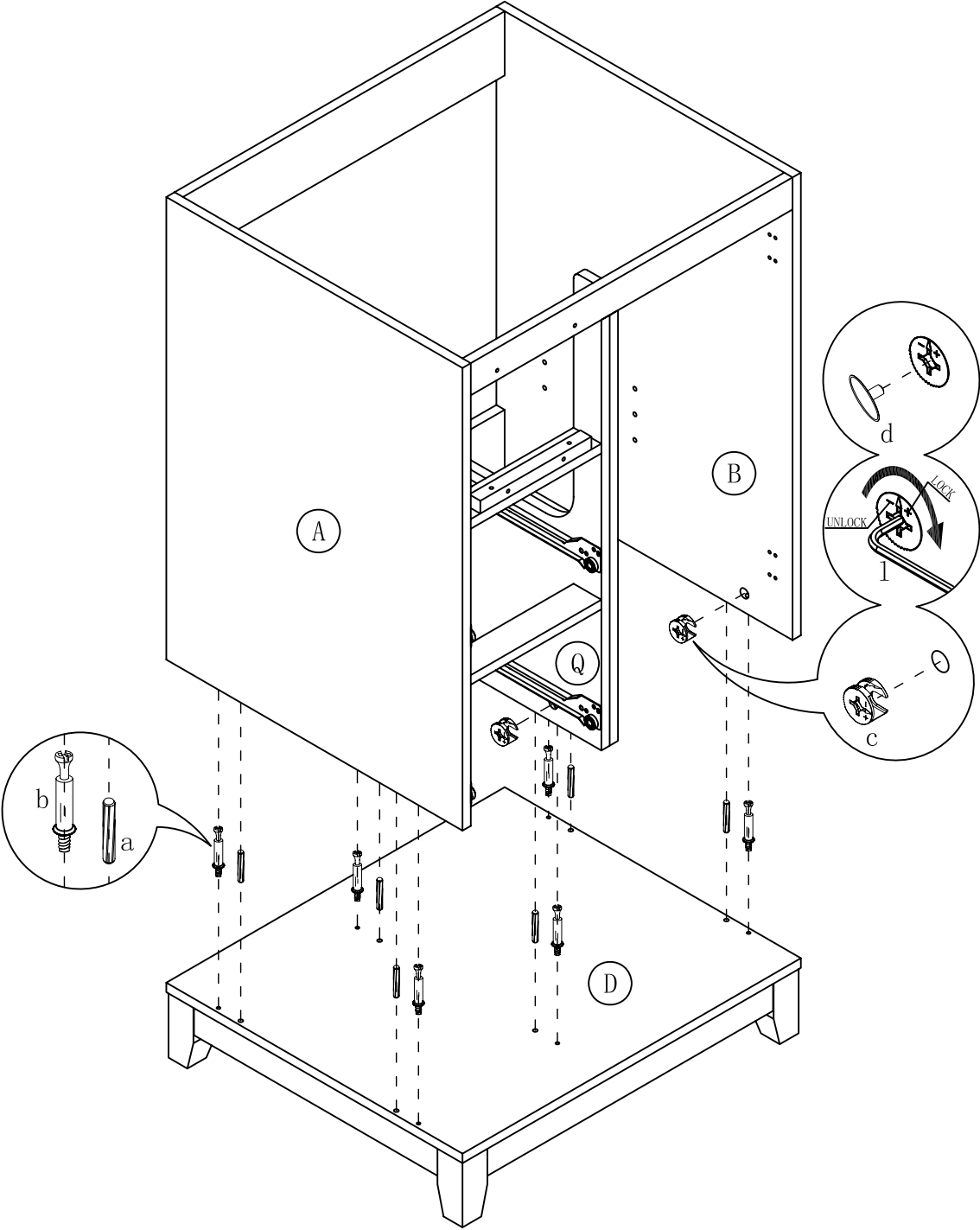
STEP 2



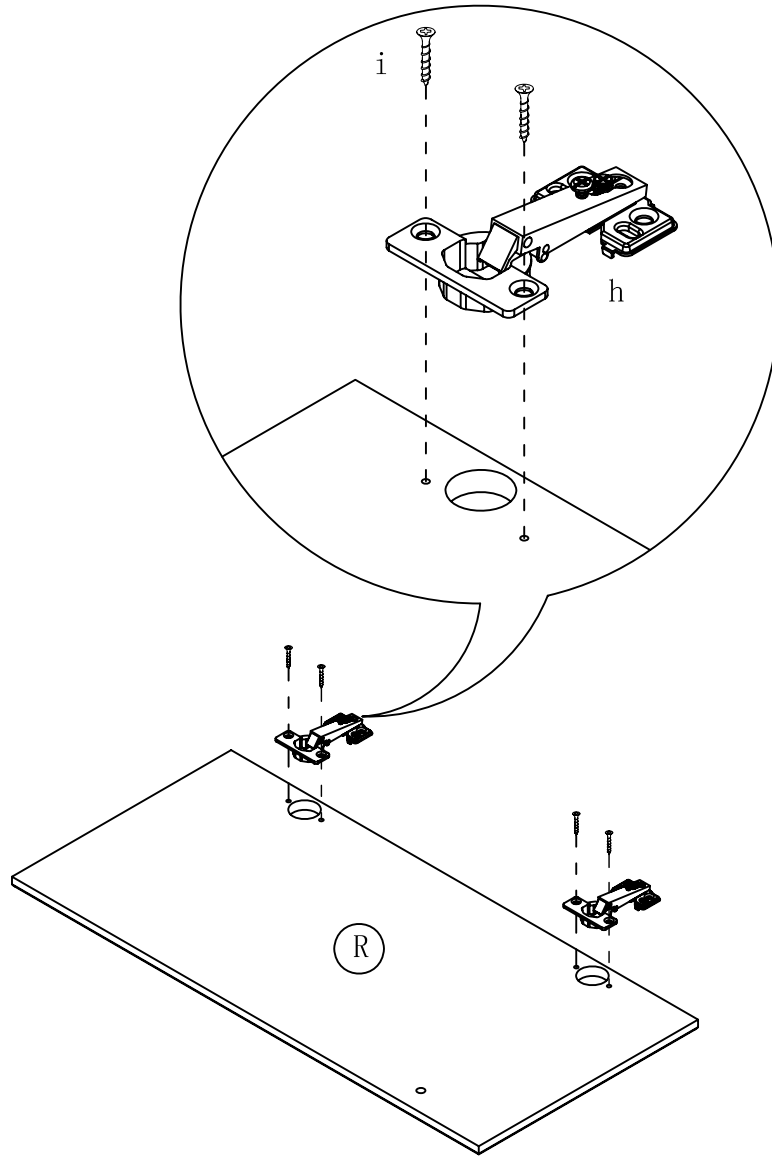
STEP 3



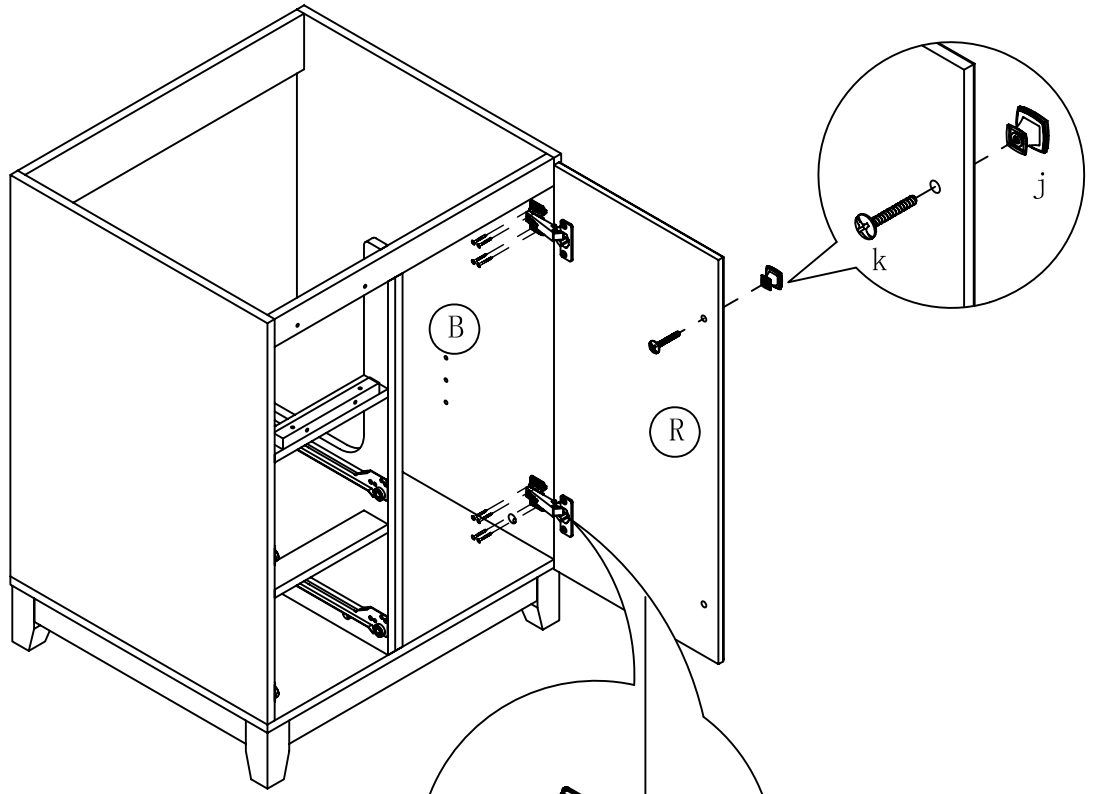
STEP 4



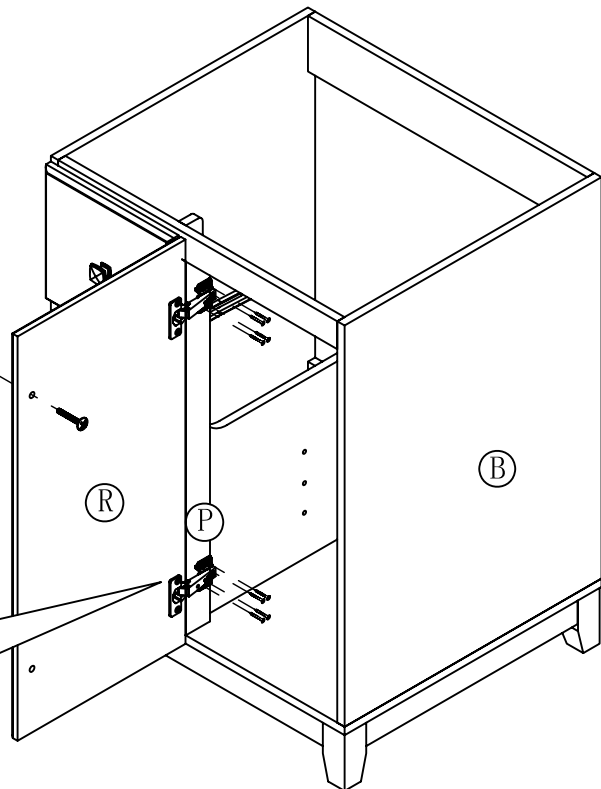
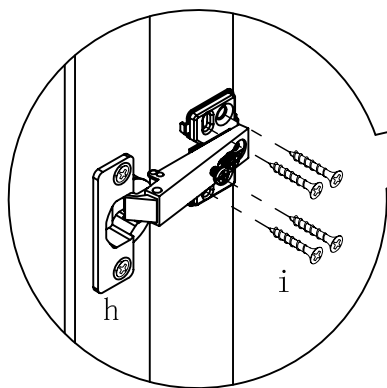
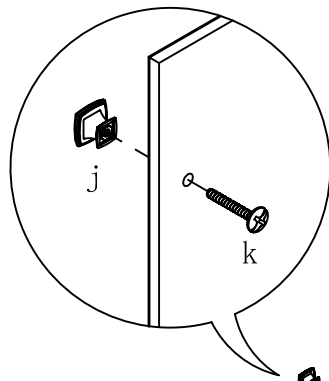
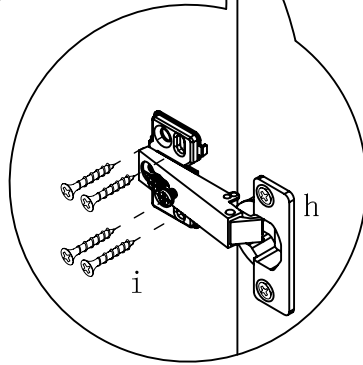
STEP 5



STEP 6

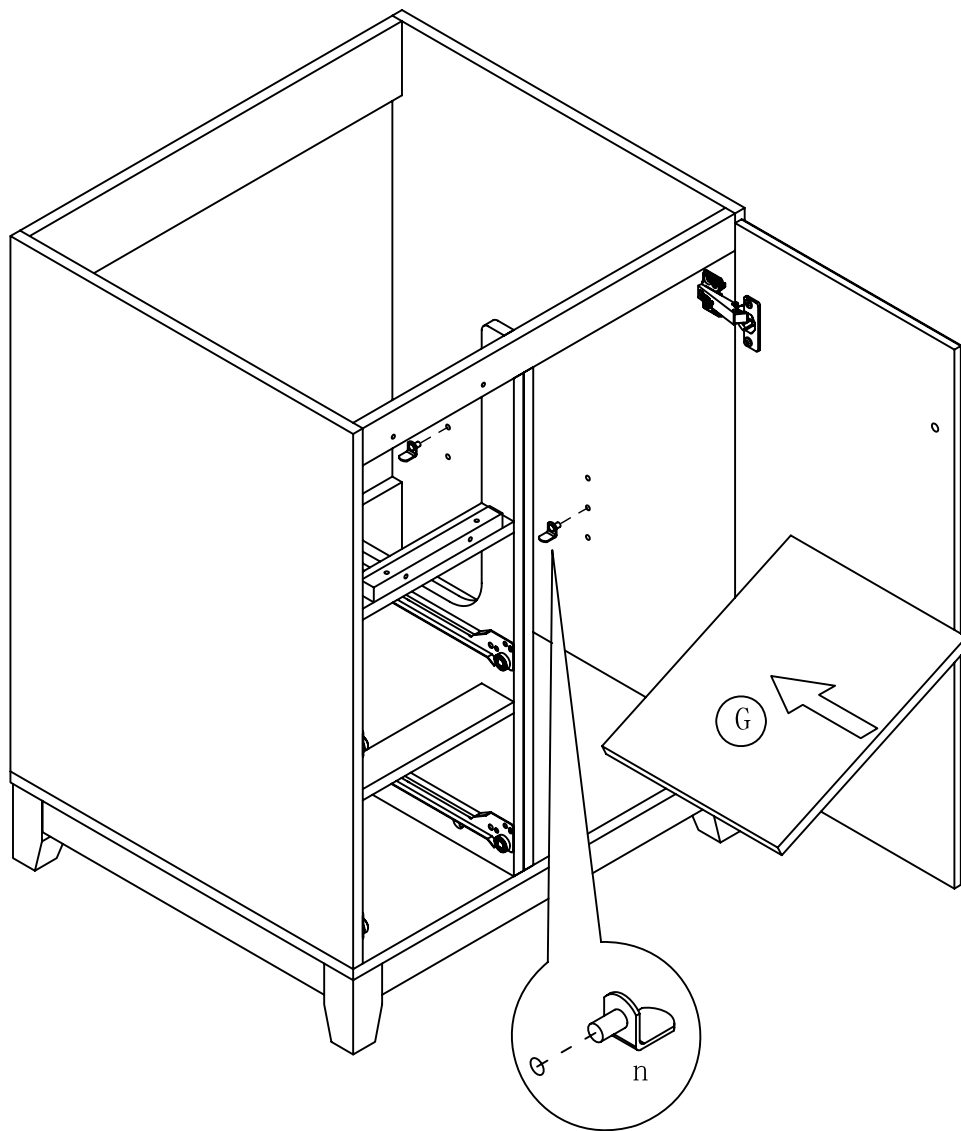


NOTE: INSTALL THE DOOR ON THE RIGHT AS SHOWN.

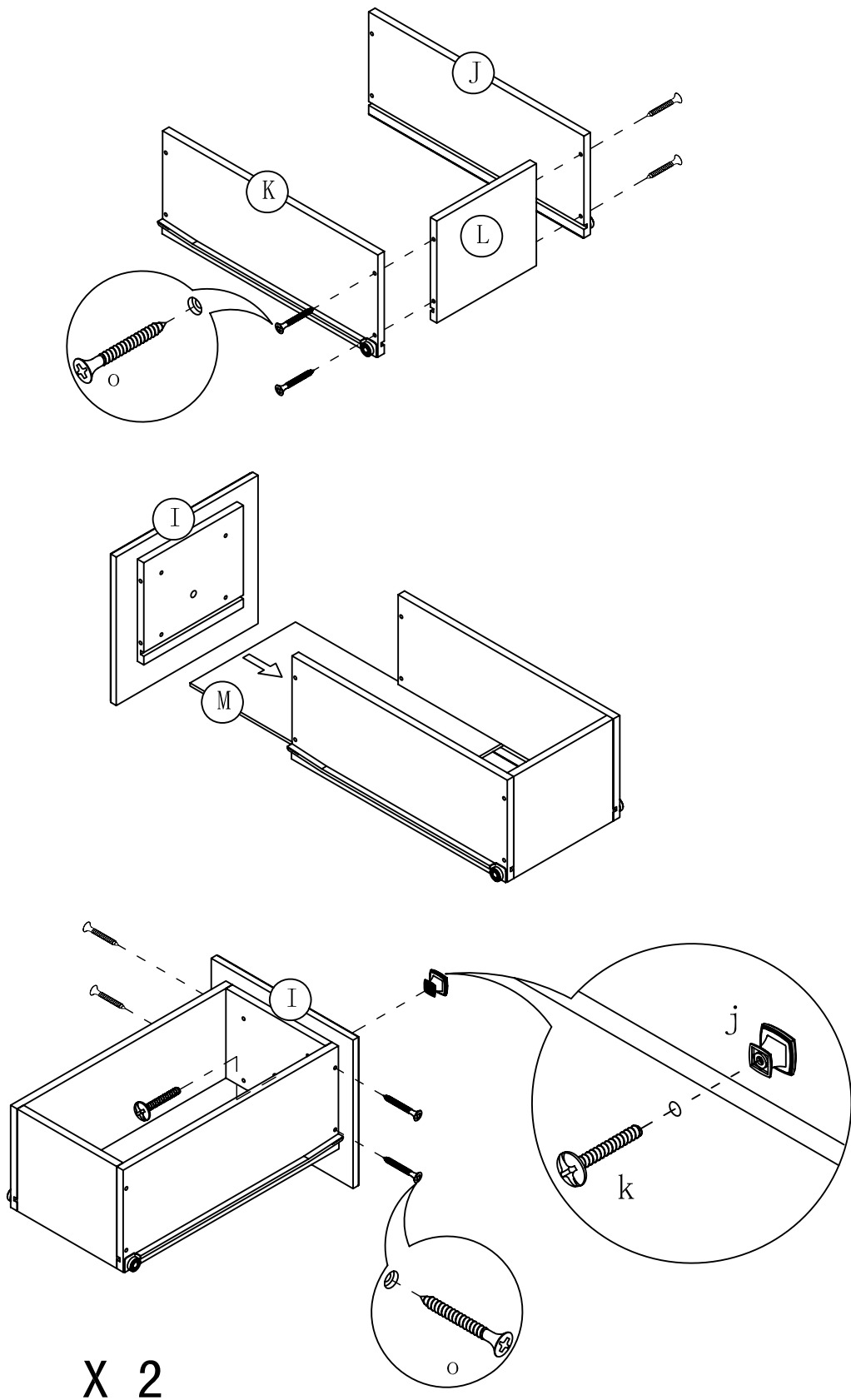


NOTE: INSTALL THE DOOR ON THE LEFT AS SHOWN.

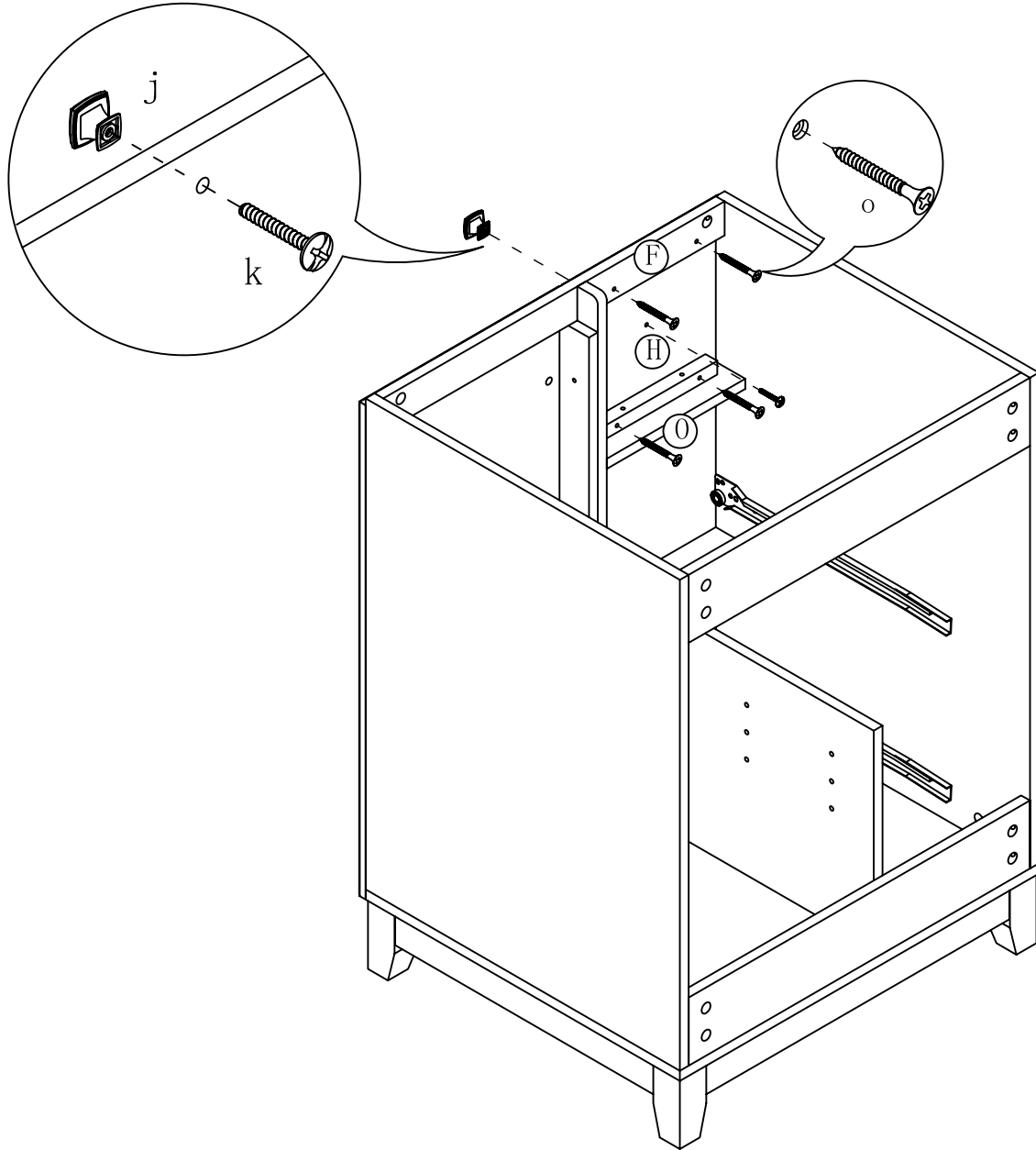
STEP 7



STEP 8



STEP 9



STEP 10

