

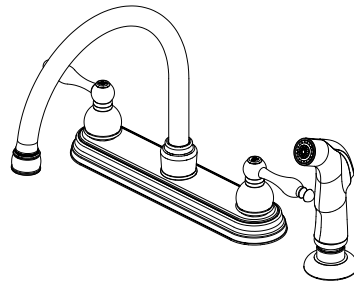


Design House is a registered brand of DHI Corp.

Mequon, WI 53092
1-800-558-8700

SARATOGA TWO HANDLE KITCHEN FAUCET WITH SIDE SPRAY

Models 546135, 546119
546101, 546127



Your new Design House faucet will give you years of trouble free performance. Thank you for choosing our product for your home. **Please read all of these instructions carefully before installing your new faucet.**

Helpful tools to install this faucet:

- basin wrench
- Teflon tape
- (2) crescent wrenches
- silicon sealer
- flashlight
- faucet supply tubes

IMPORTANT POINTS

- When installing your new faucet, hand tighten the connector nuts, then use one wrench to anchor the fitting and a second wrench to tighten the nut one additional turn. Connections that are too tight will reduce the integrity of the system.
- Wrap threaded connections (except aerator thread in spout or where o-ring or rubber sealant are present) with Teflon tape available from your local hardware or plumbing supply store. Always wrap in a clockwise direction.

SAFETY TIPS

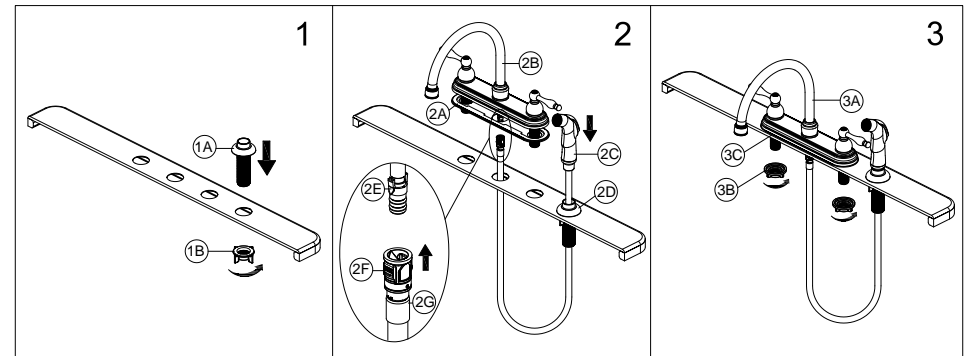
- **ALWAYS** protect your eyes with safety glasses.

INSTALLATION PROCEDURE

1. Shut off water supplies. Remove the old faucet. Insert the sprayer support (1A) through the far right hole on the sink. Screw the sprayer mounting nut (1B) onto the sprayer support (1A) shank from underneath the sink, and hand tighten.

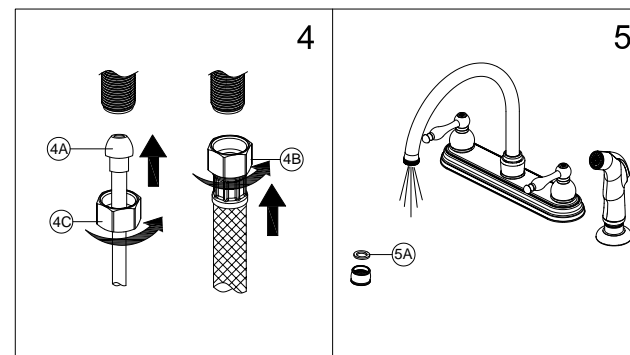
2. Place the gasket (2A) on the bottom of the faucet assembly (2B). Insert the side sprayer (2C) hose down through the sprayer support (2D) and sink. Align the tabs (2E & 2F) on the quick connects (2G). Push the quick connector housing firmly upward and snap it onto the receiving tube tab. Pull down moderately to ensure the connection has been made. If it is necessary to remove the quick connector, squeeze the tabs on the hose, and pull down to disconnect.

3. Place the faucet assembly (3A) in position on the sink. Secure the faucet assembly (3A) to the sink using the mounting nuts (3B) provided. Hand tighten only.
NOTE: If the sink is uneven, use silicone under the gasket (3C).



4. Making the waterline connections: Use 1/2 in. I.P.S. faucet connections (4B, not included), or use the supplied coupling nuts (4C) with a 3/8 in. O.D. ball-nose riser (4A, not included). Use wrenches when tightening. Do not overtighten.

5. **IMPORTANT:** After installation is complete, remove the aerator to flush the water lines. If you remove the gasket (5A) in the aerator, make sure to replace it after flushing the water lines. Turn on the water supply and allow both hot and cold water to run for at least one minute each. This flushes away any debris that could cause damage to internal parts. While the water is running, check for leaks. Turn off the water and replace the aerator.



TROUBLE SHOOTING

- o 546135 - Polished Chrome
- o 546119 - Satin Nickel
- o 546101 - Oil Rubbed Bronze
- o 546127 - Brushed Bronze

Problem: Faucet leaks from under handle.

Cause: Bonnet is loose or o-ring on cartridge is dirty or twisted.

Action:

1. Move handle to OFF position. Remove the index and unscrew the screw on handle, then remove the handle and inverter.
2. Tighten the bonnet by turning it clockwise. Move the cartridge stem to the ON position. The leak should stop around the cartridge stem.
3. If the leak does not stop, shut off the water supply. Remove the bonnet by turning it counter-clockwise. Lift cartridge off body and remove cartridge seal. Clean cartridge ports and cartridge seal. Place cartridge seal into cartridge ports or replace if necessary.
4. Replace the cartridge making sure the wings fit well into the cuts in the faucet body. Tightly screw the bonnet onto the faucet body.
5. Reinstall the handle.

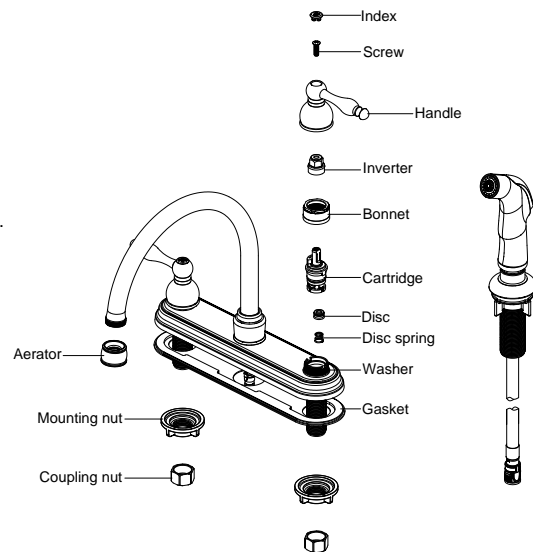
Many of these parts come preassembled. This exploded diagram is to assist in trouble shooting.

Problem: Faucet leaks around aerator or an improper flow pattern.

Cause: Aerator is incorrectly fitted or is dirty.

Action:

1. Unscrew the aerator. Make sure all internal parts are laying flat.
2. If there is debris, gently flush all parts inside.
3. Reinstall the aerator.



MAINTENANCE

Your new Design House faucet is designed to give you years of trouble free performance. Avoid abrasive cleaners, steel wool and harsh chemicals that will dull the finish and void your warranty.

Brass finishes are polished, then protected with a PVD or a lacquer coating to help prevent tarnishing. Clean these surfaces only with a damp, soft cloth.

Keep it looking like new by cleaning it periodically with a mild solution of soapy water. Rinse thoroughly and then dry with a soft cloth.

CONSUMER PROTECTION WARNING

Under the Safe Drinking Water Act, the U.S. Environmental Protection Agency restricts the amount of lead used in brass and solder. Your new faucet is made in strict compliance with all government standards. The materials used in the manufacture of this faucet are of industry standard quality and are similar to other plumbing products having brass fittings.

To reduce the amount of lead in your drinking water, allow the water to run for a moment before filling your glass and remember to always use cold water for drinking purposes.