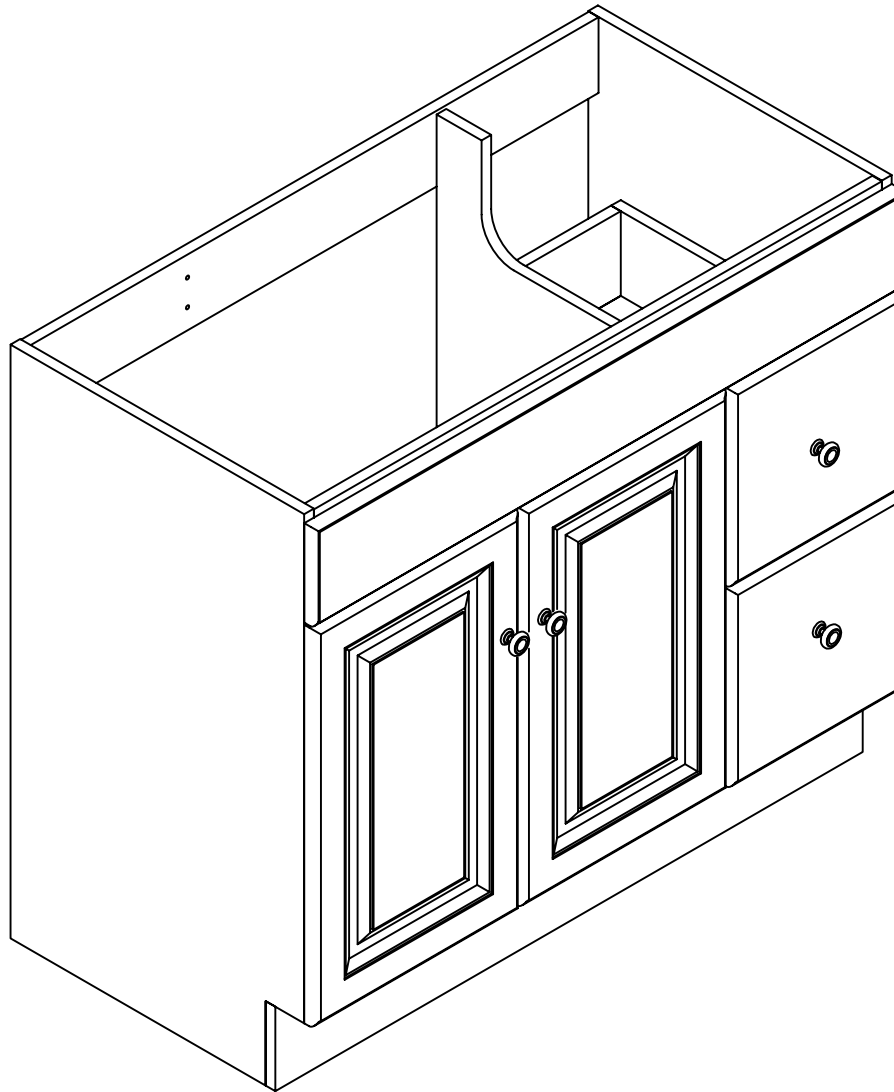




www.todaysdesignhouse.com

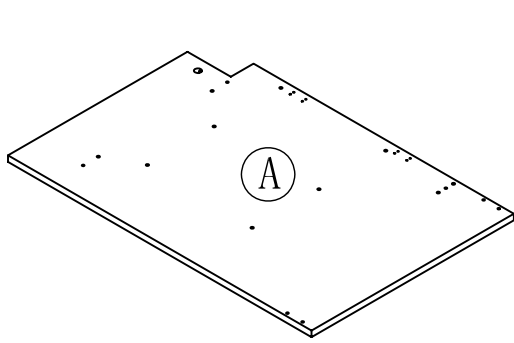


545178 • 545186

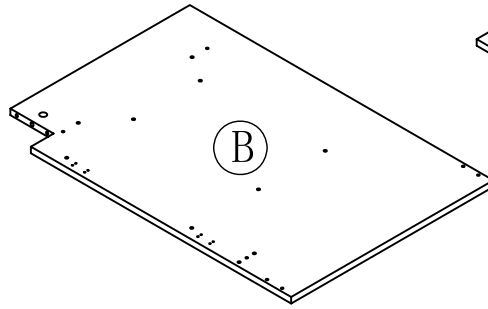
ASSEMBLY INSTRUCTIONS

DHI Corp. • 5205 W. Donges Bay Rd. • Mequon, WI 53092 • 800.558.8700

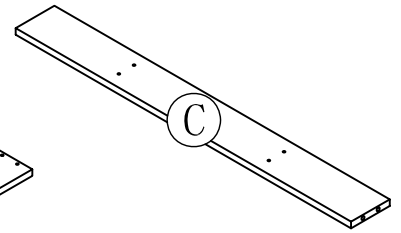
PARTS LIST:



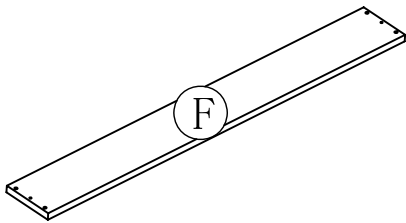
LEFT SIDE PANEL 1PC



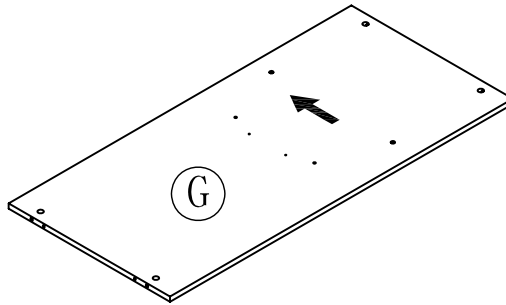
RIGHT SIDE PANEL 1PC



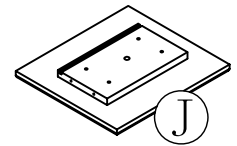
BACK CROSS BRACE 1PC



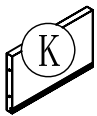
TOE KICK PANEL 1PC



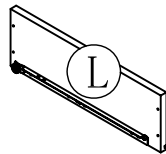
BOTTOM PANEL 1PC



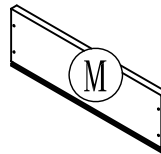
DRAWER FRONT PANEL 2PCS



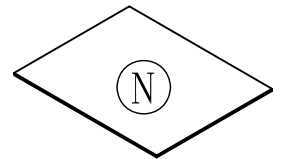
DRAWER BACK PANEL
2PCS



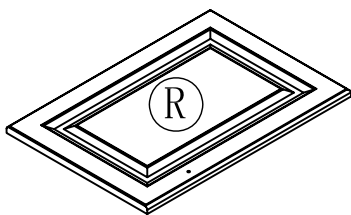
DRAWER LEFT SIDE
PANEL 2PCS



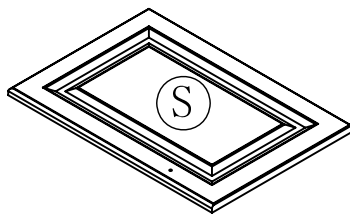
DRAWER RIGHT SIDE
PANEL 2PCS



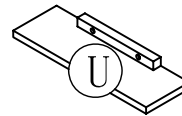
DRAWER BOTTOM
PANEL 2PCS



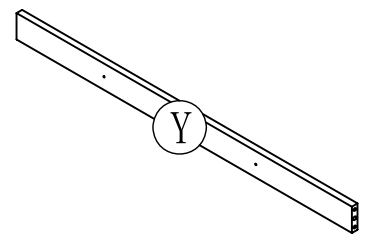
RIGHT SIDE DOOR 1PC



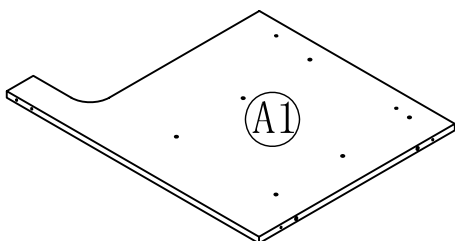
LEFT SIDE DOOR 1PC



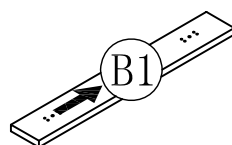
FIXED PANEL 1PC



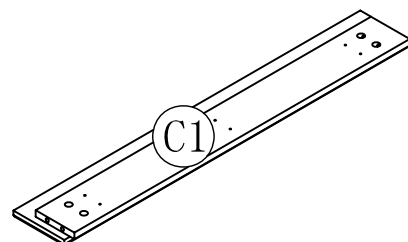
FRONT CROSS BRACE 1PC



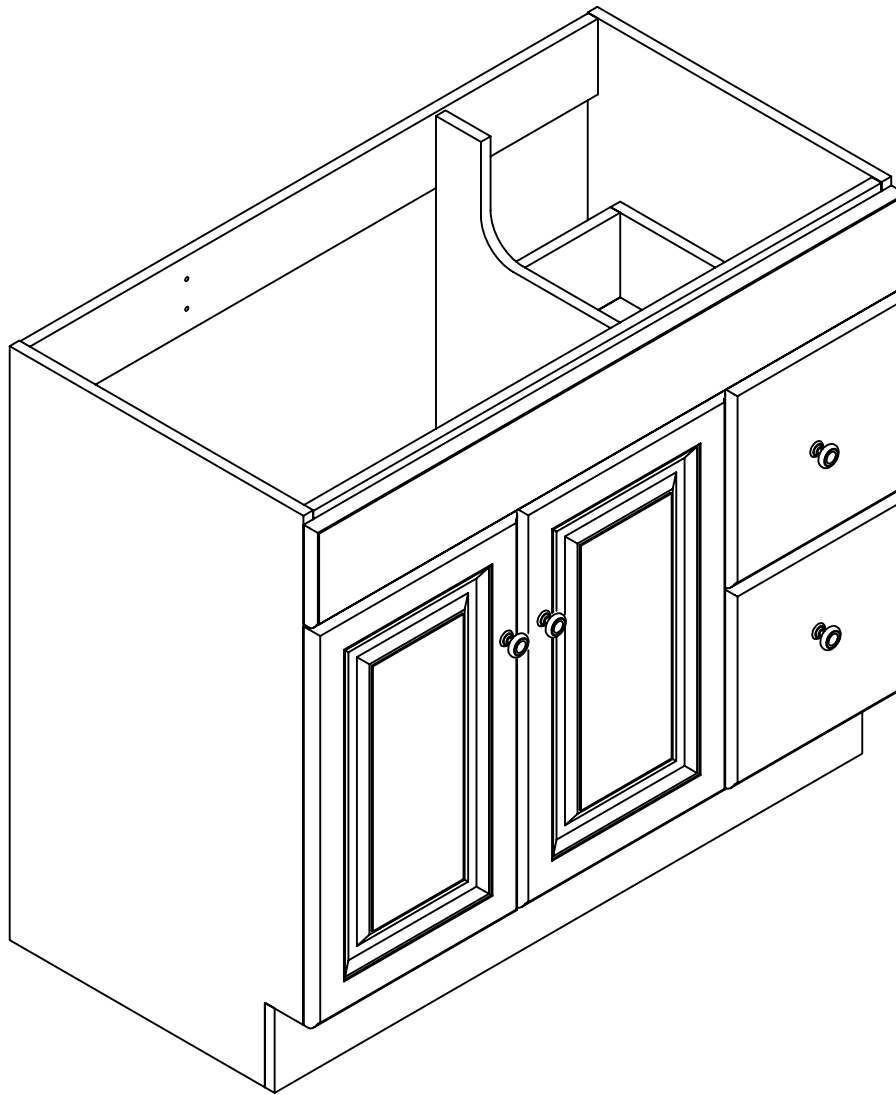
BIG PARTITION 1PC



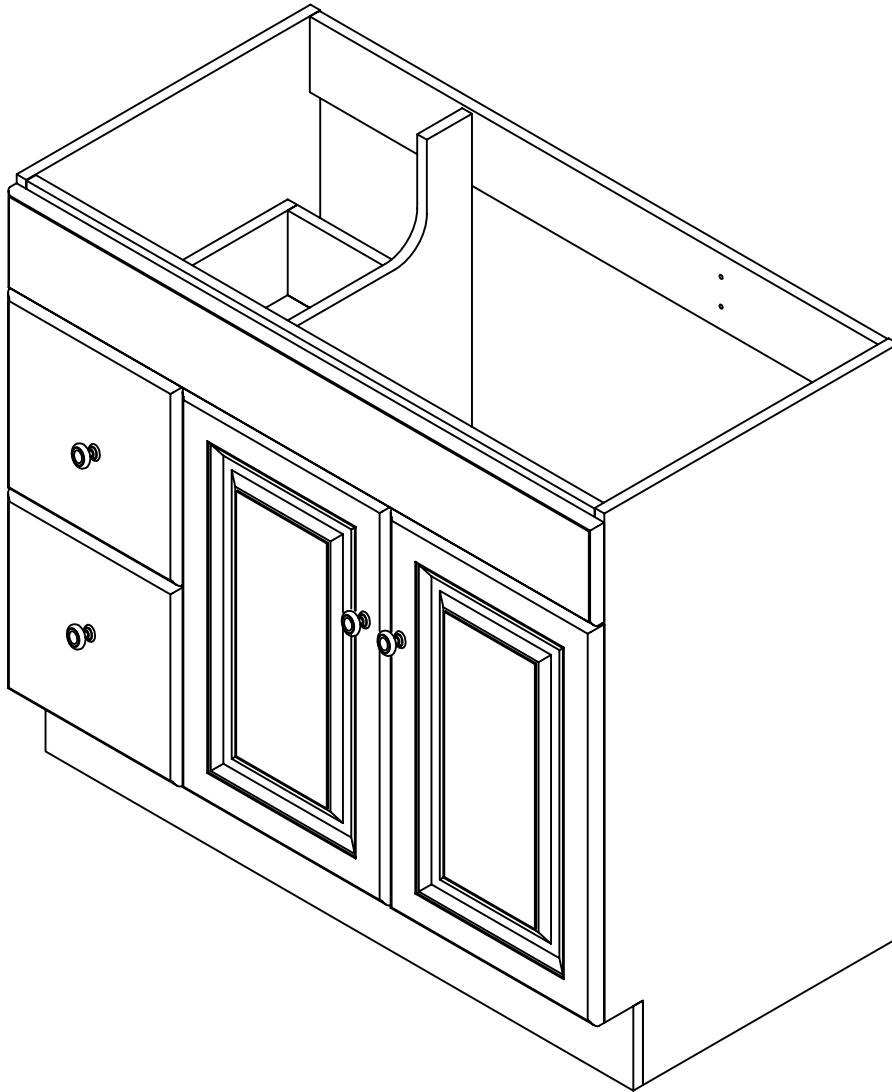
SMALL PARTITION 1PC



FALSE DRAWER FRONT 1PC

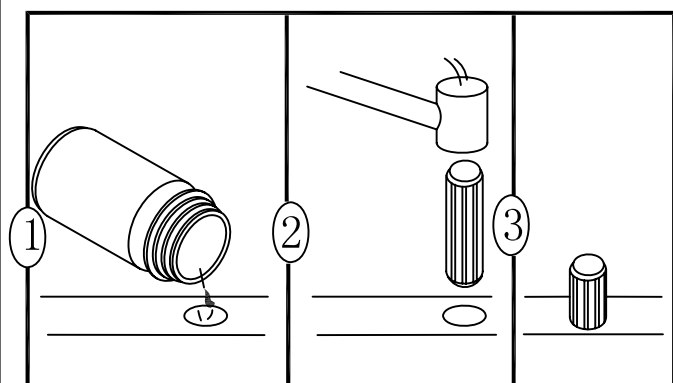
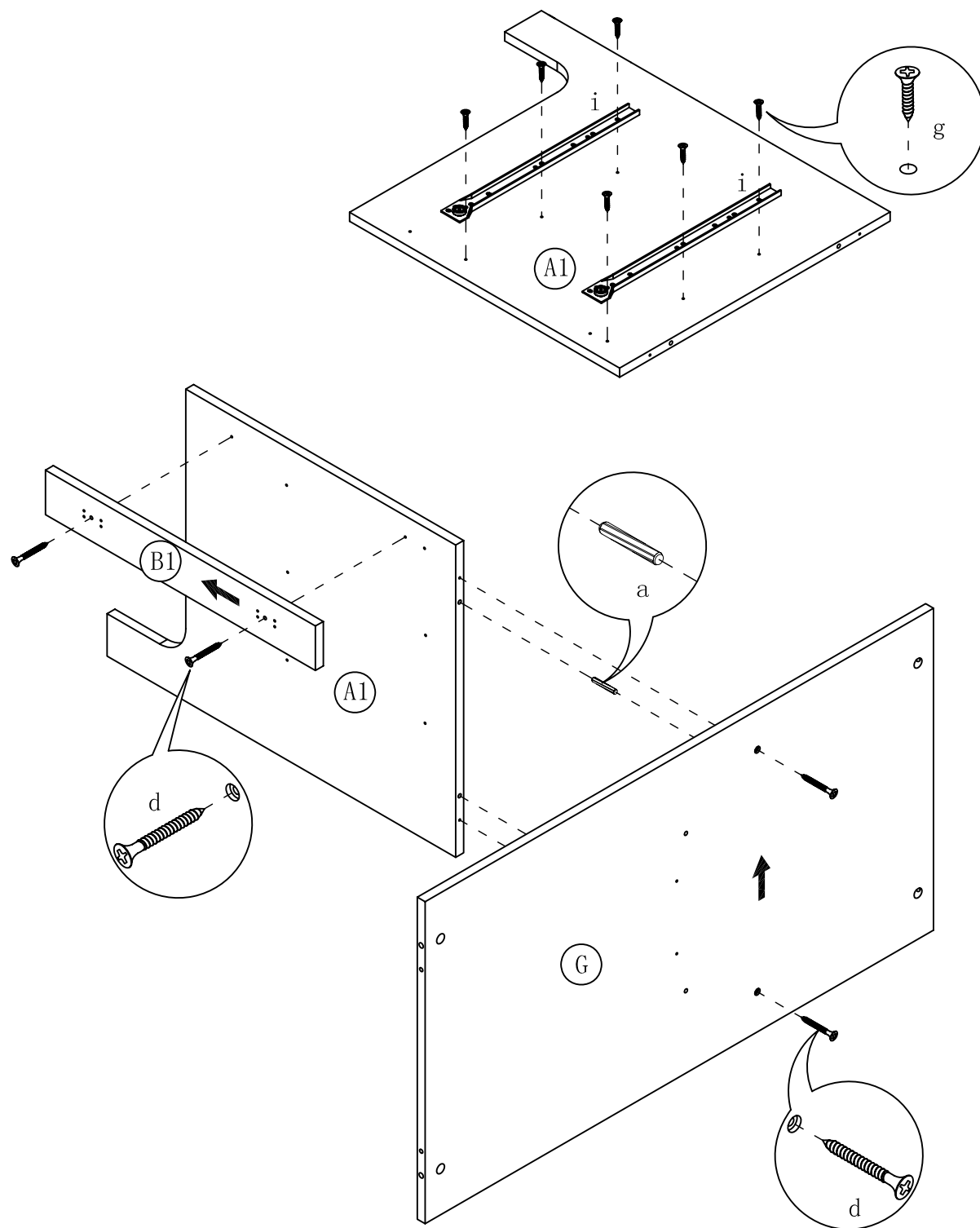


PLEASE FOLLOW STEP1~STEP10 IF YOU
WOULD LIKE THE DOOR INSTALL ON THE
LEFT SIDE AND THE DRAWERS INSTALL
ON THE RIGHT SIDE

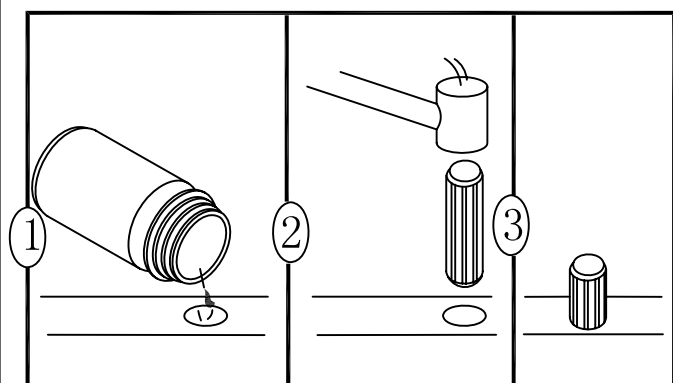
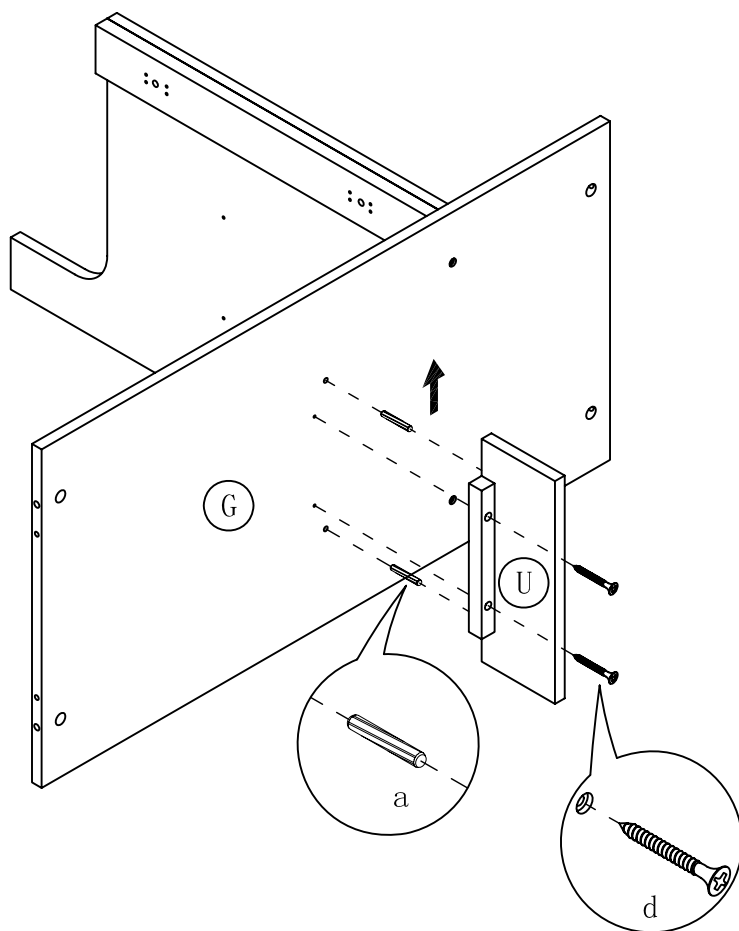


PLEASE FOLLOW STEP11~STEP20 IF YOU
WOULD LIKE THE DOOR INSTALL ON THE
RIGHT SIDE AND THE DRAWERS INSTALL
ON THE LEFT SIDE

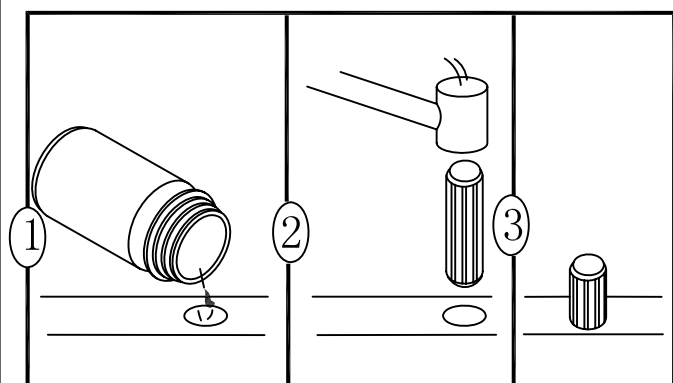
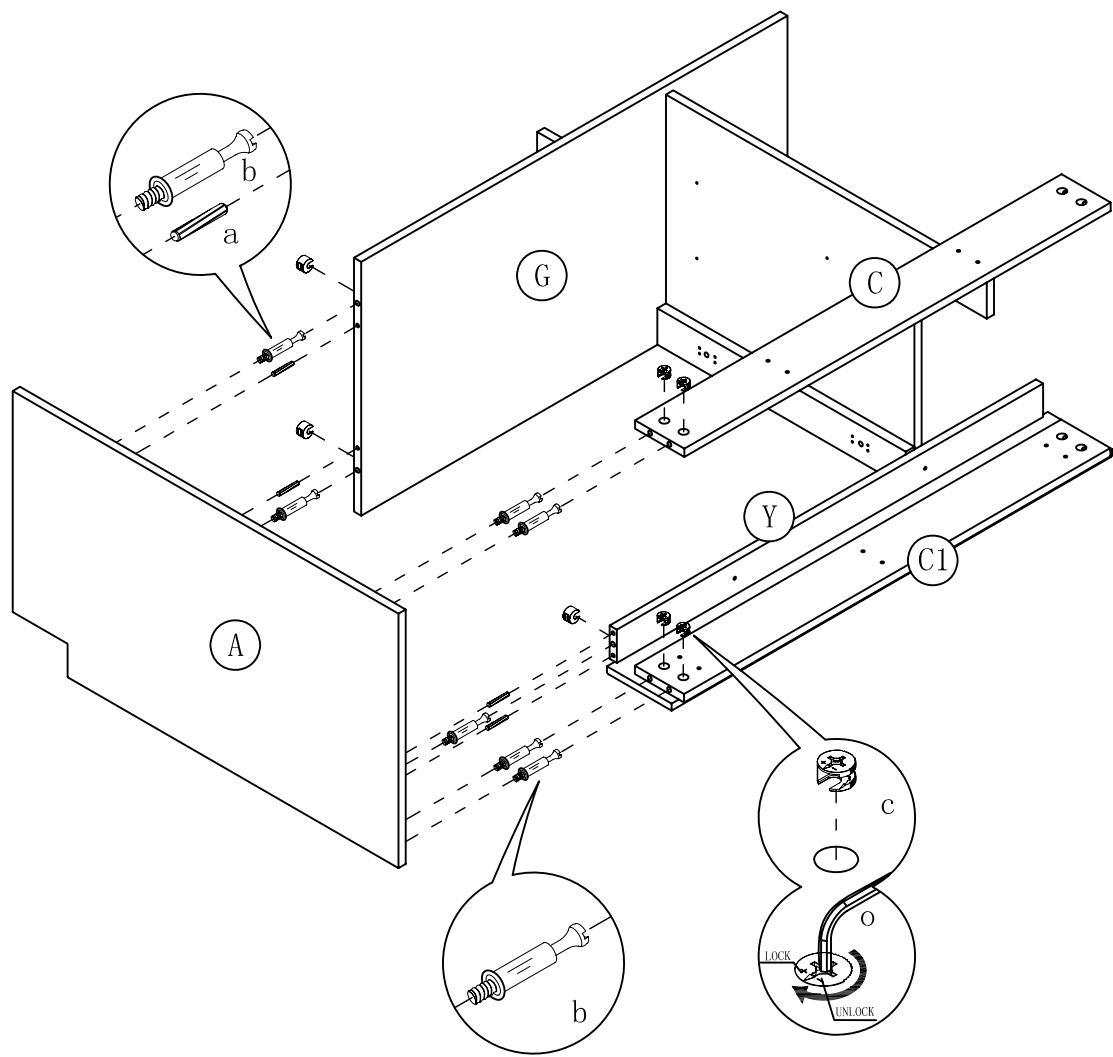
STEP 1



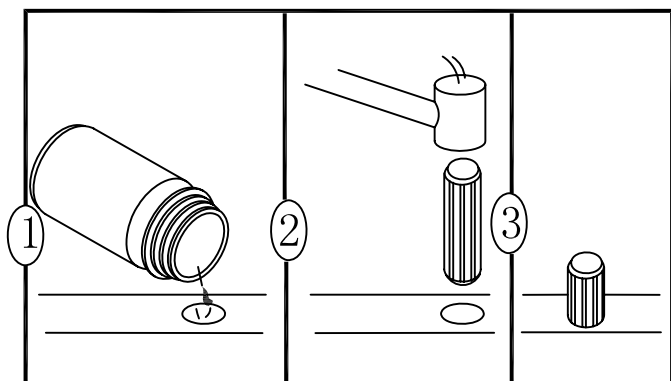
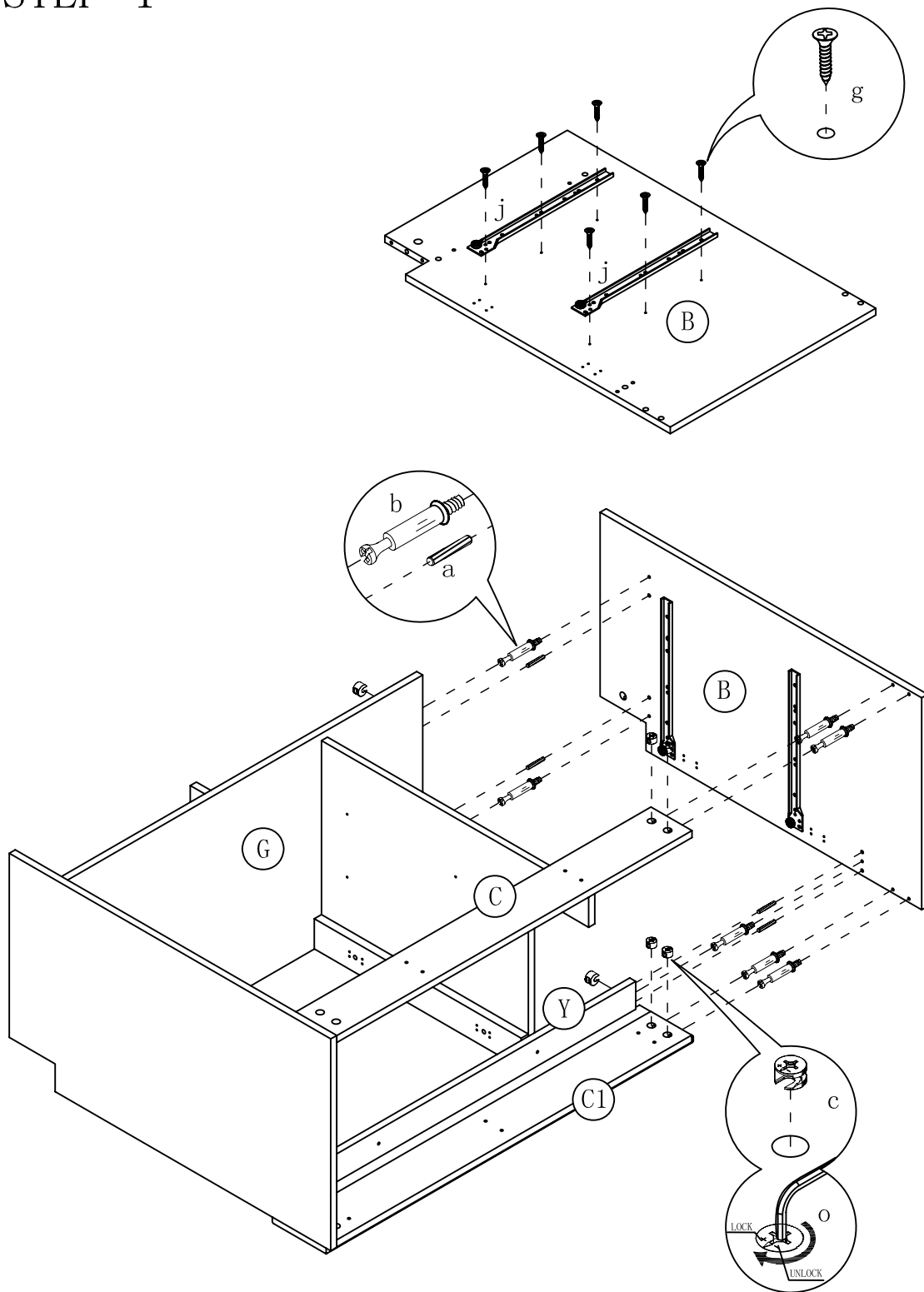
STEP 2



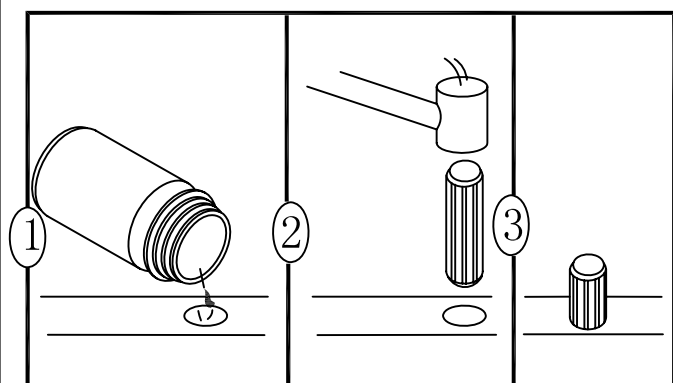
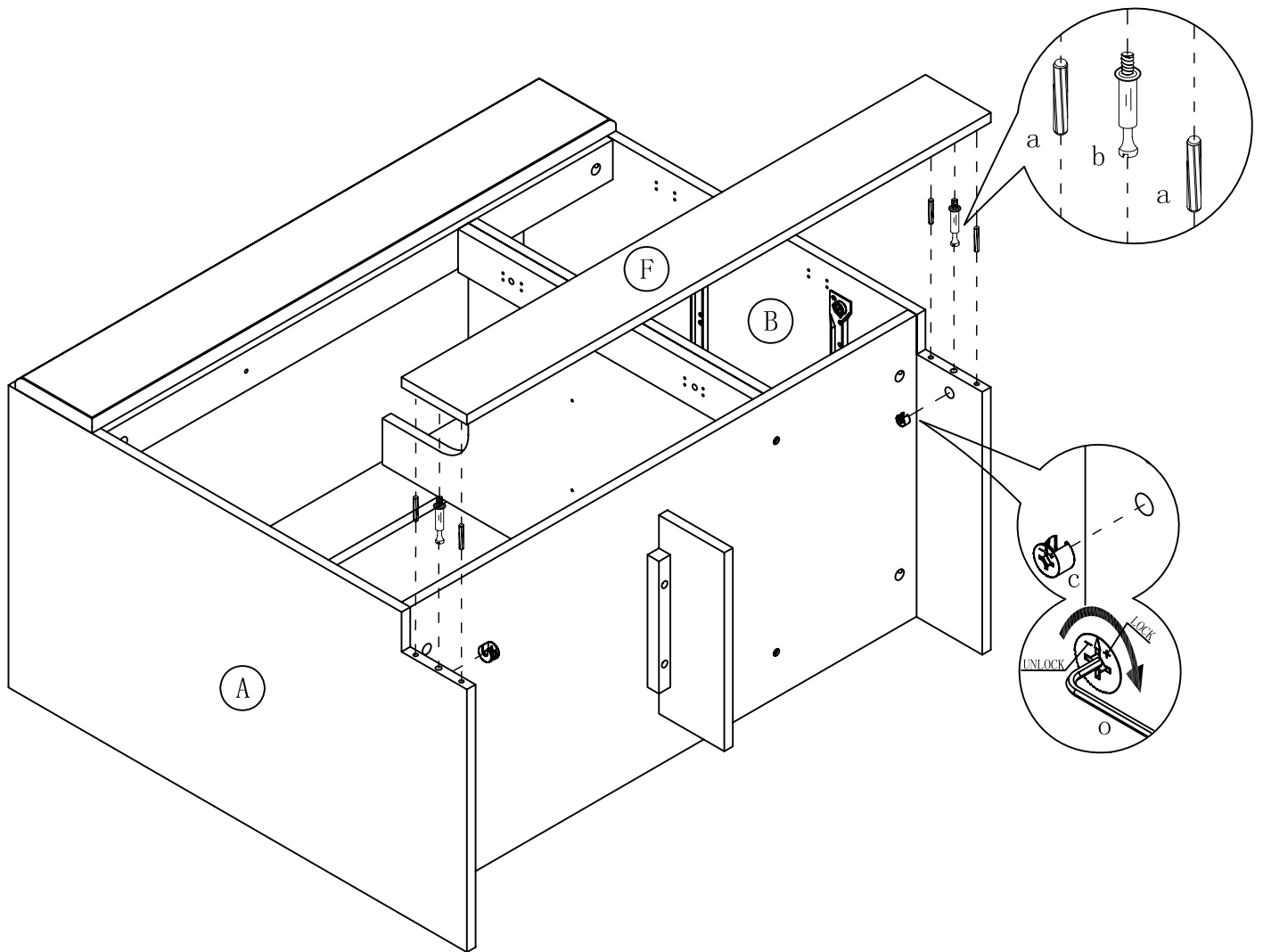
STEP 3



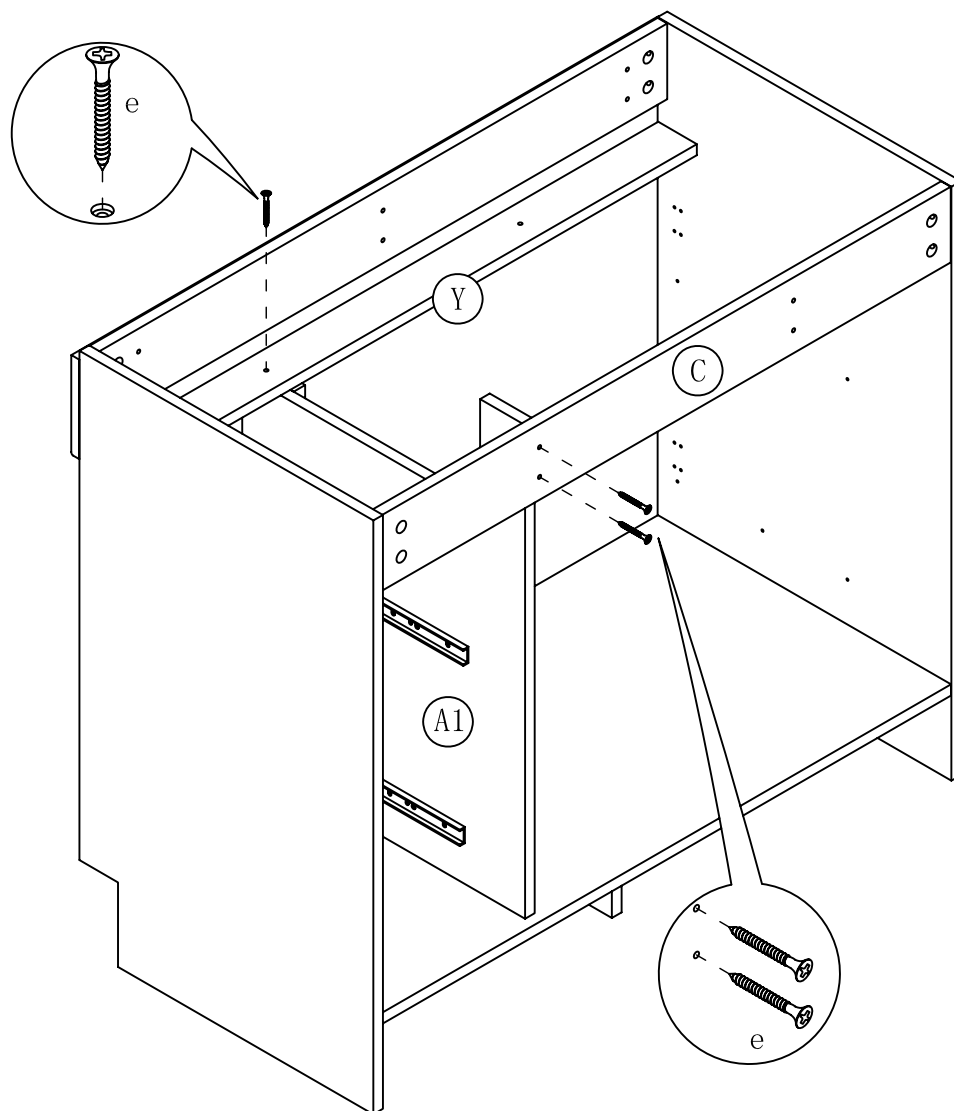
STEP 4



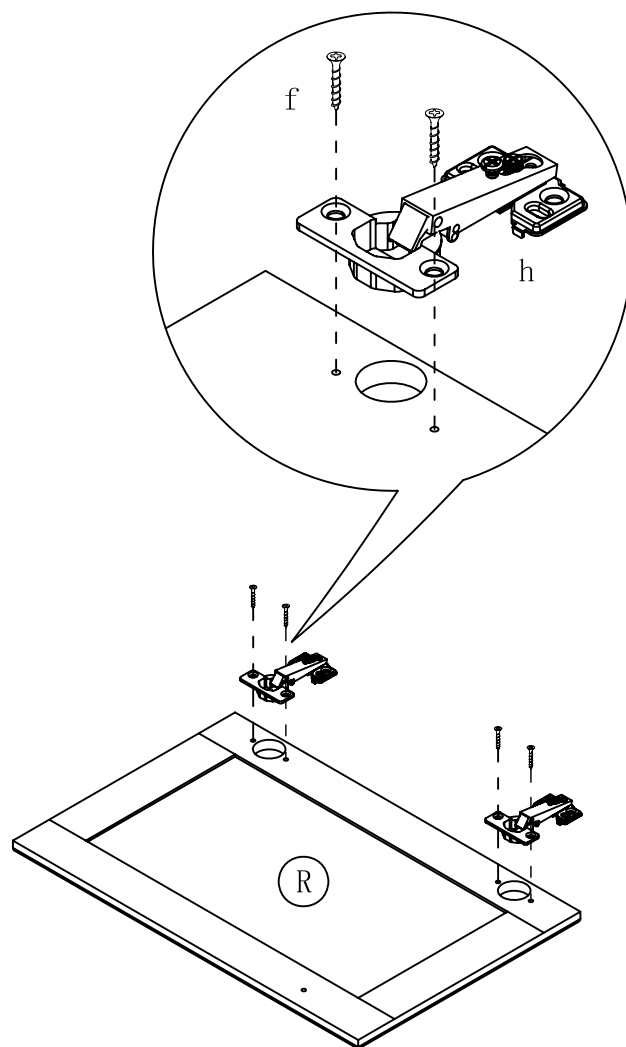
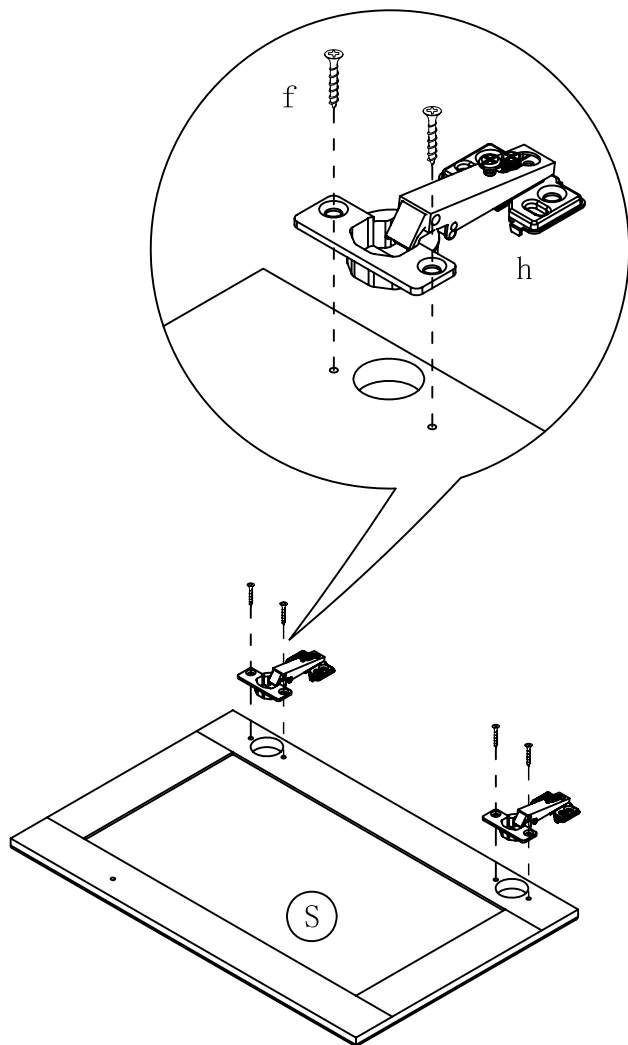
STEP 6



STEP 5

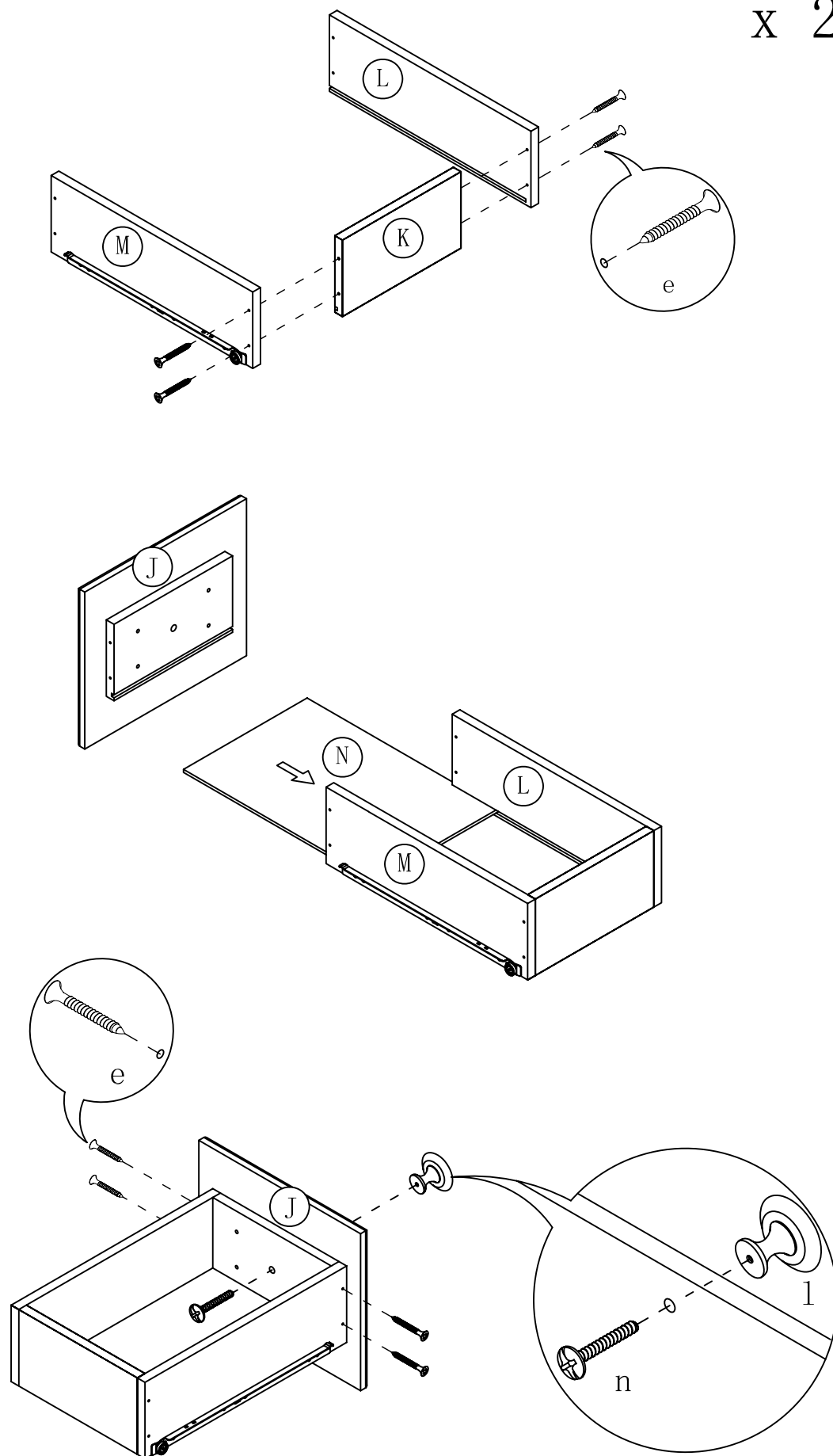


STEP 7

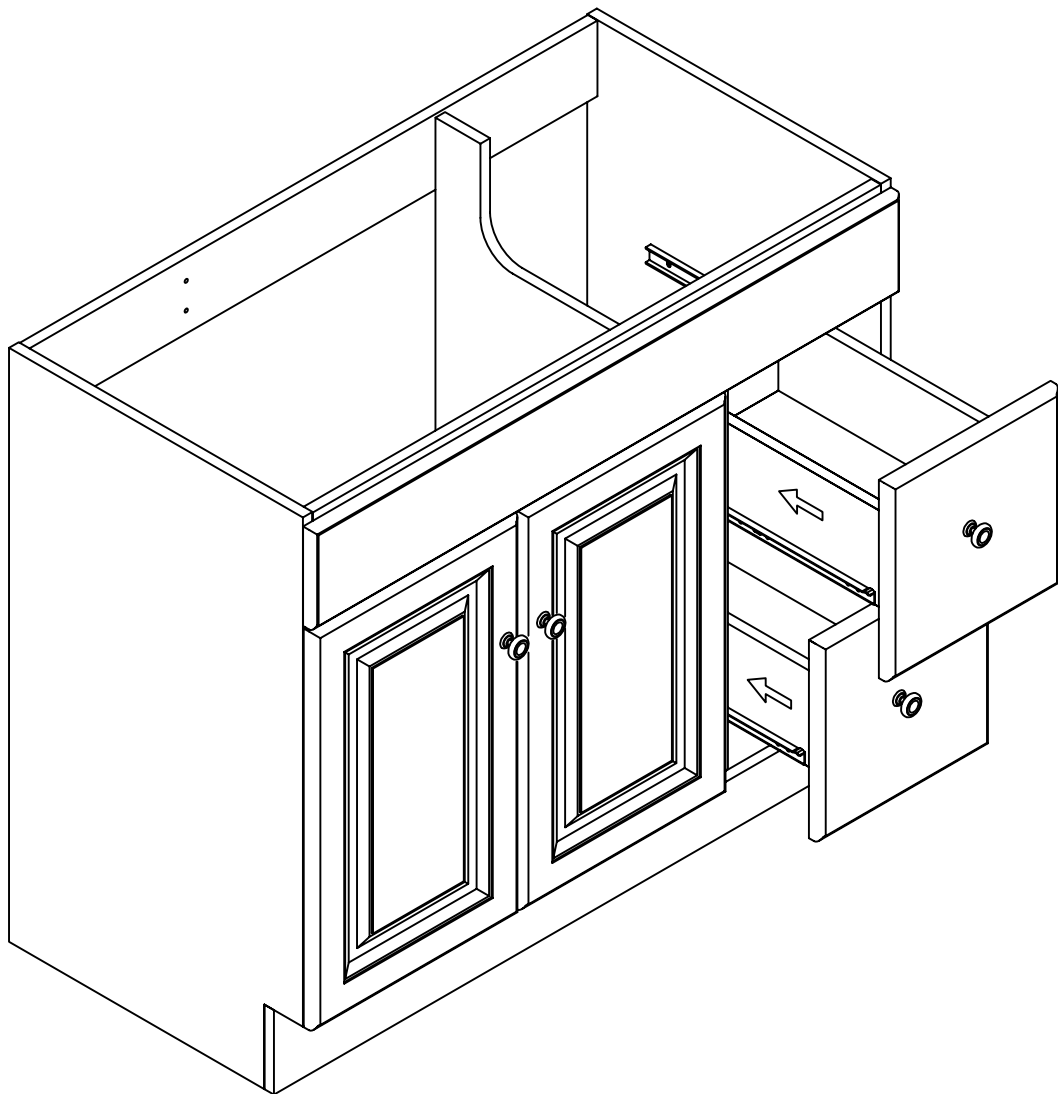


STEP 9

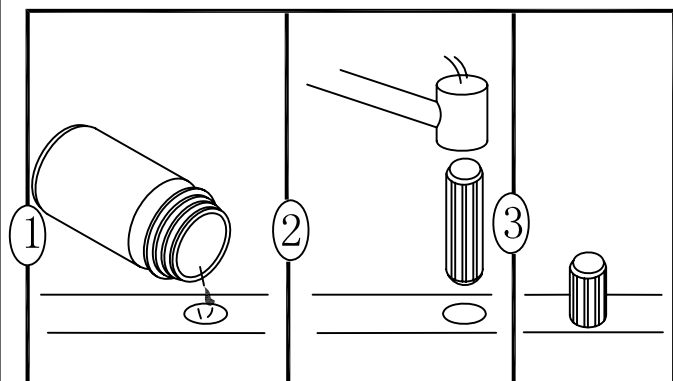
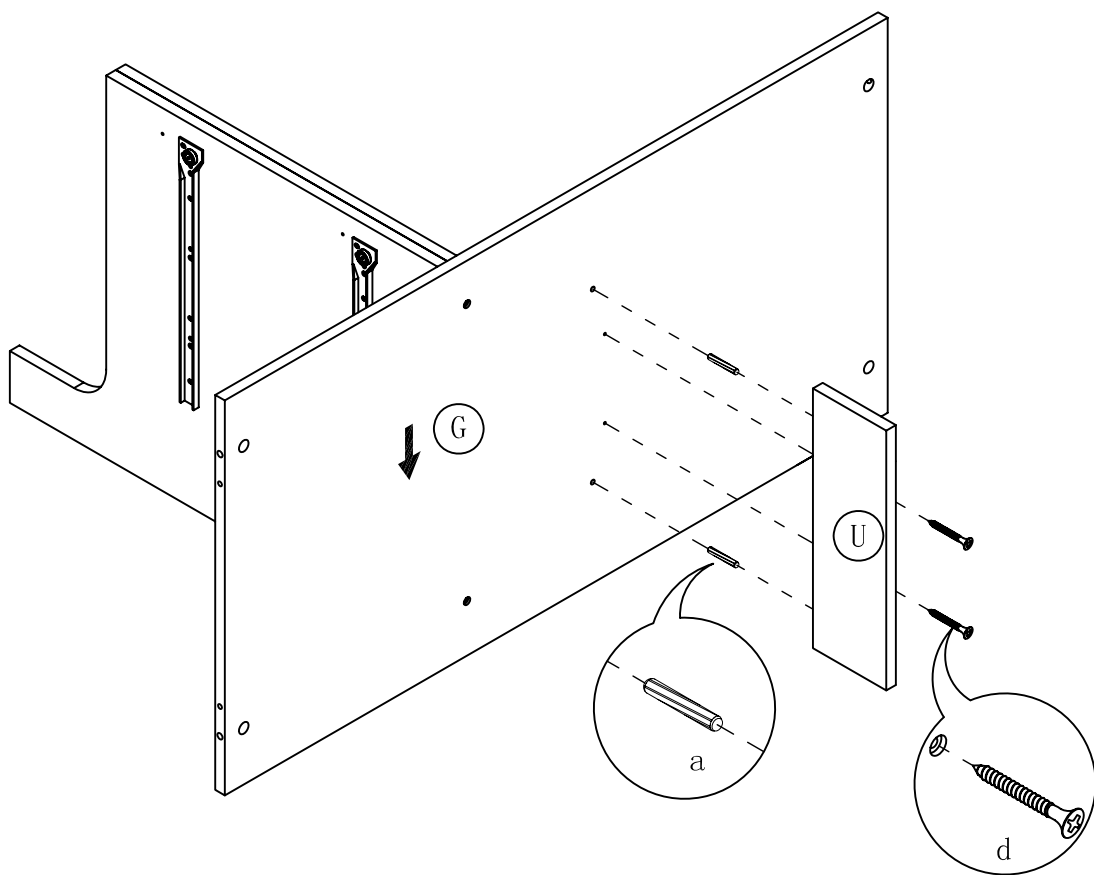
x 2



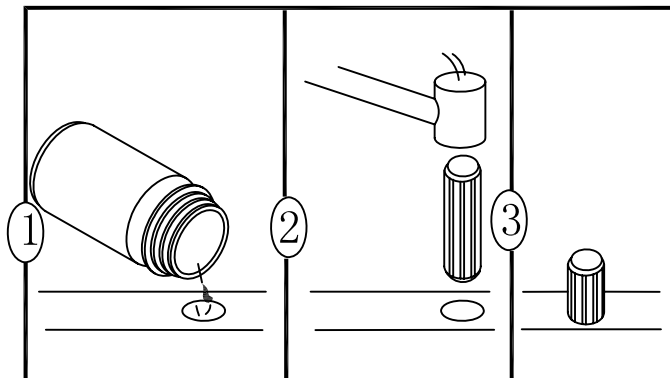
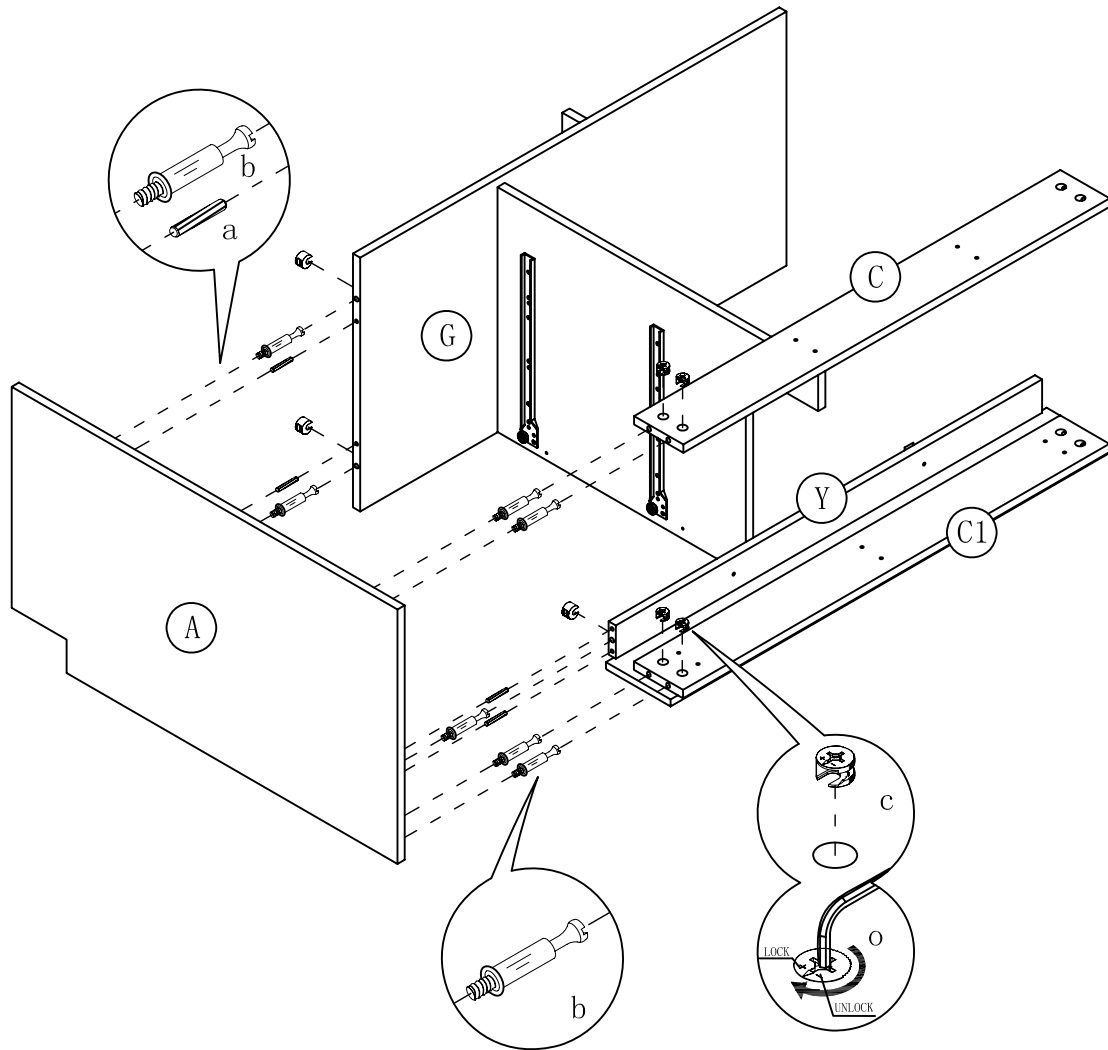
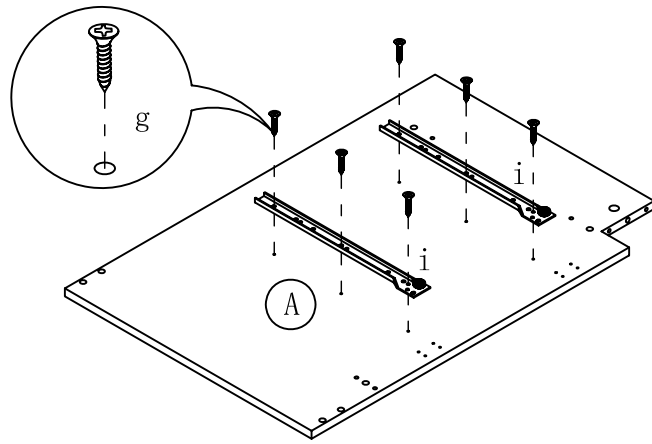
STEP 10



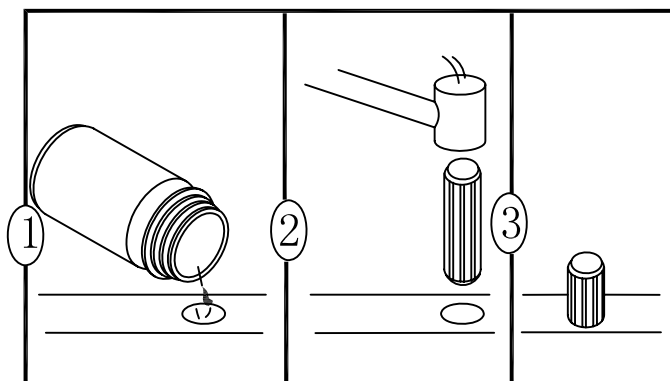
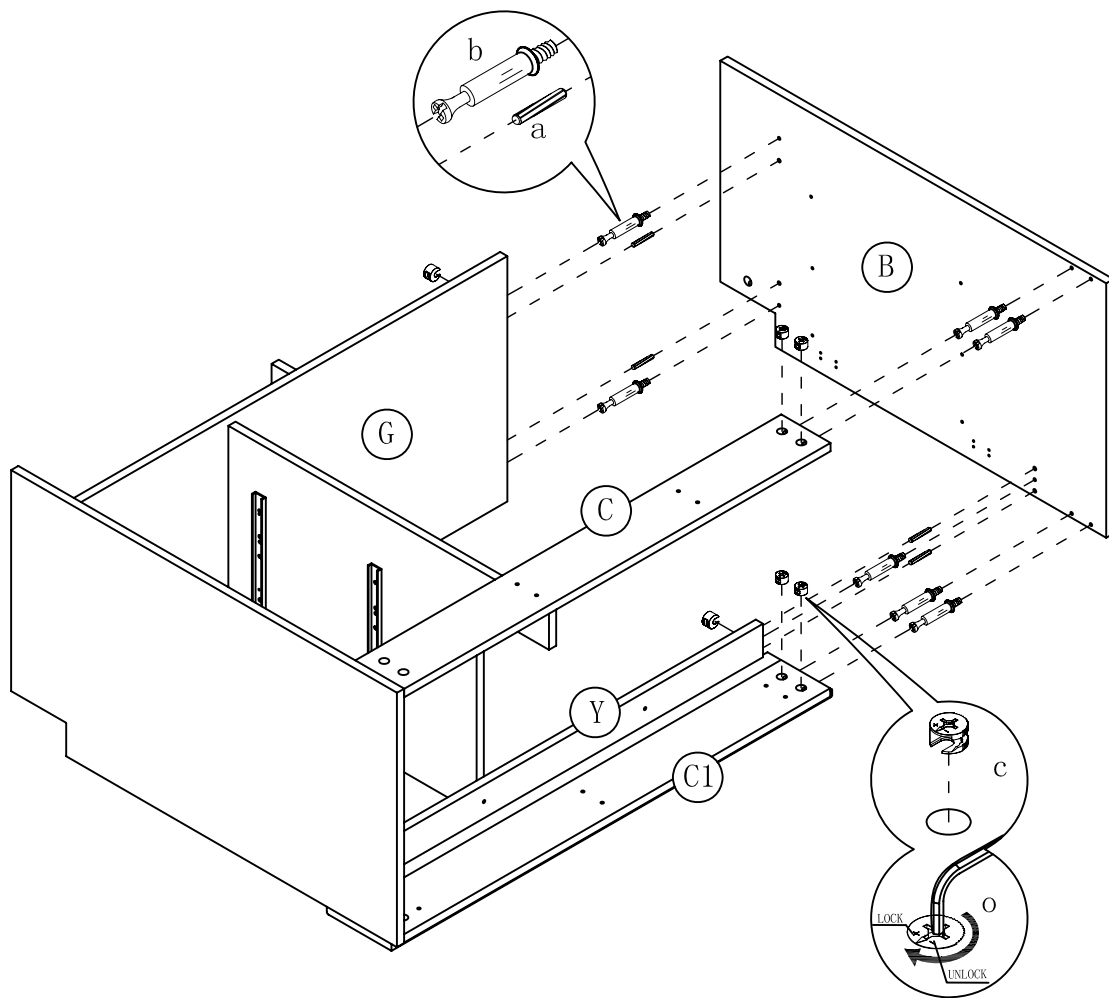
STEP 12



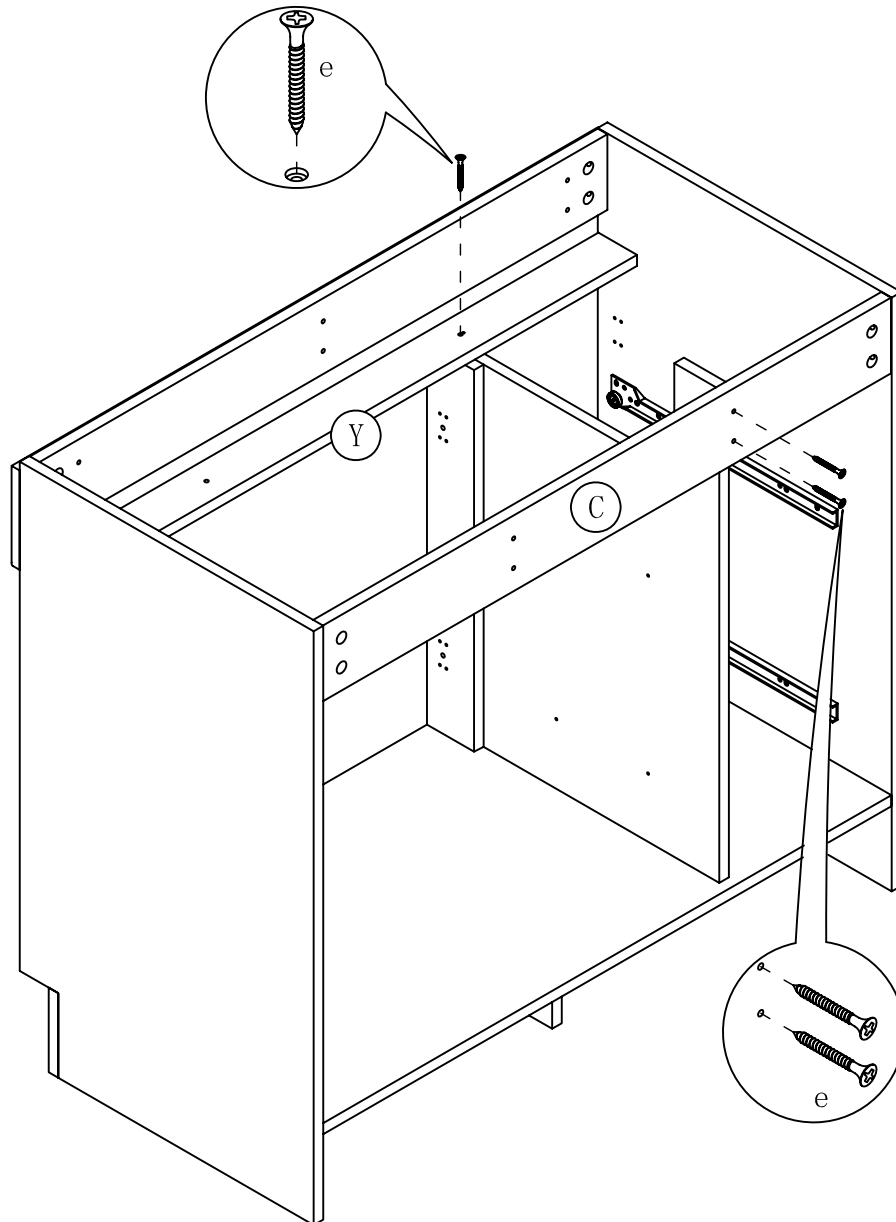
STEP 13



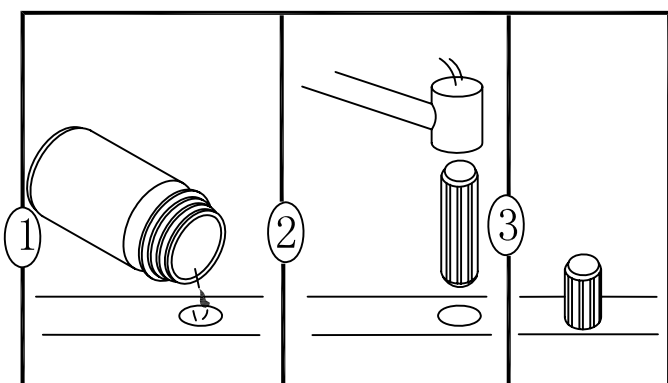
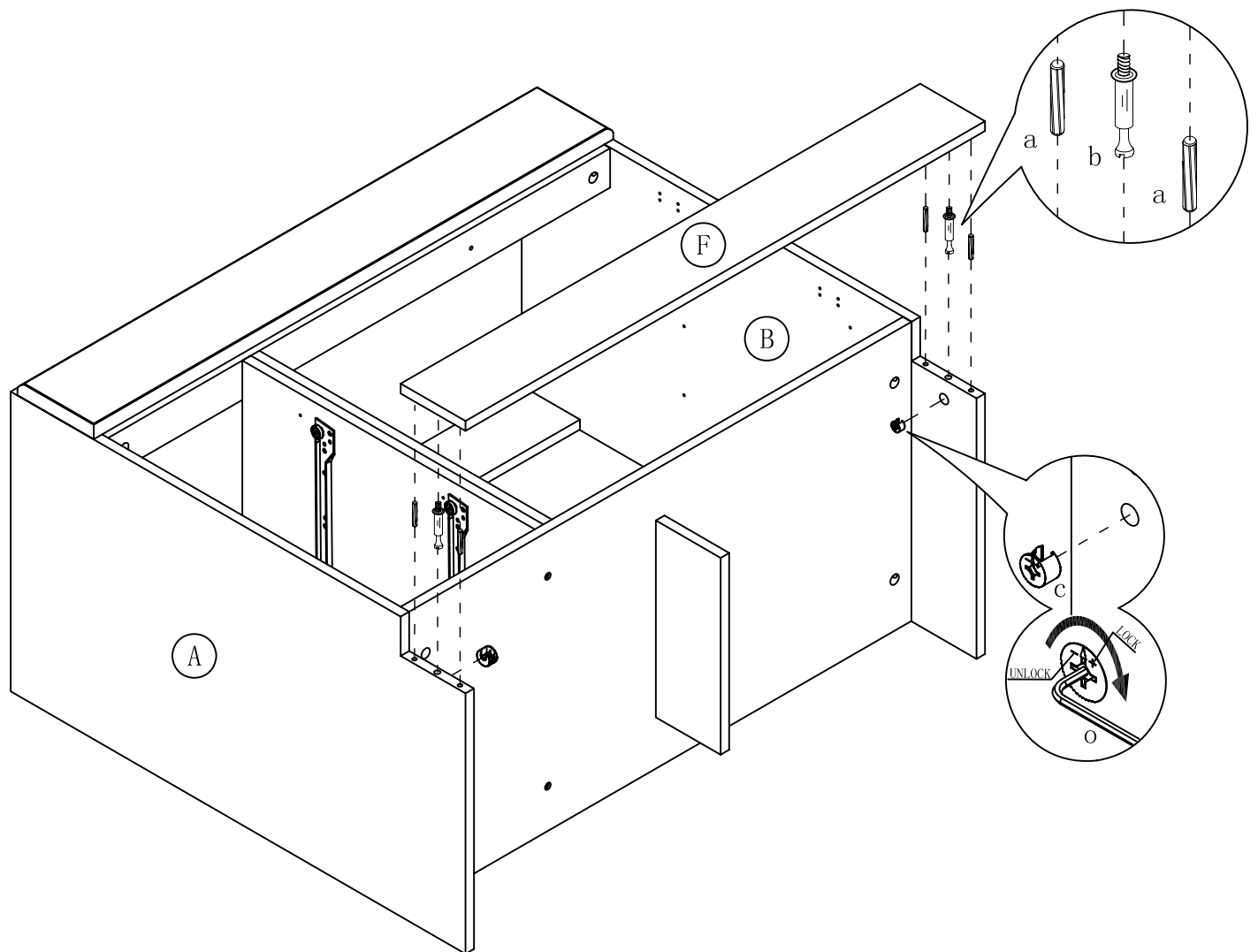
STEP 14



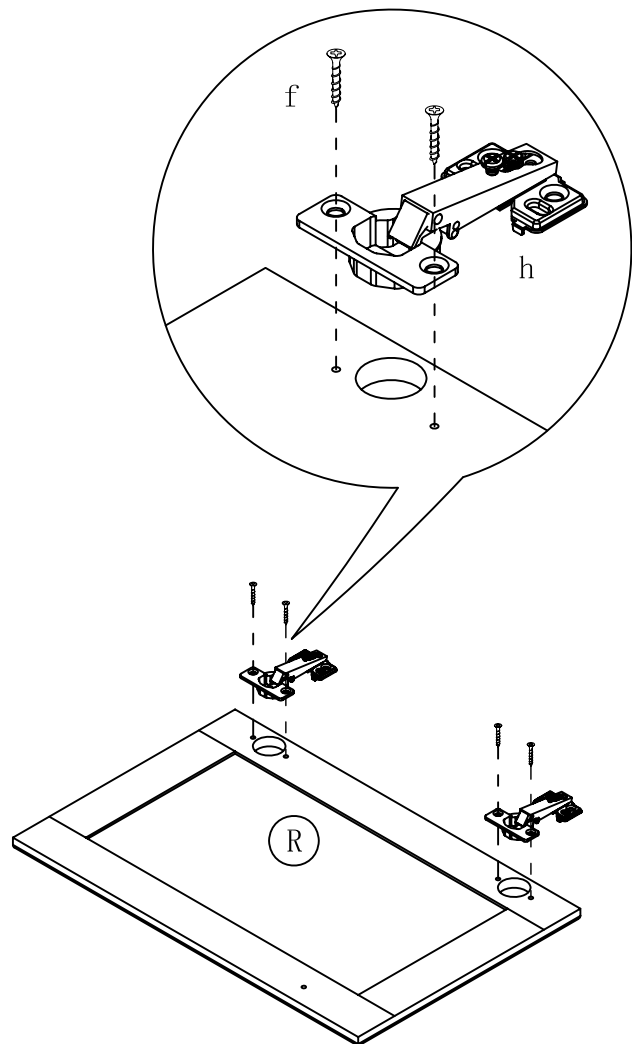
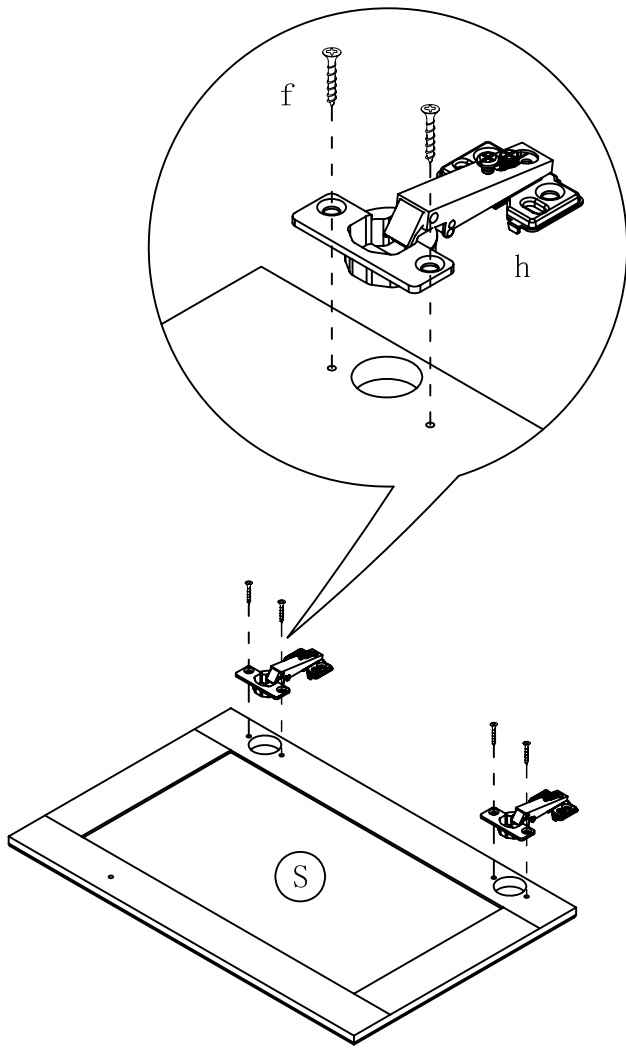
STEP 15



STEP 16



STEP 17



STEP 19

x 2

