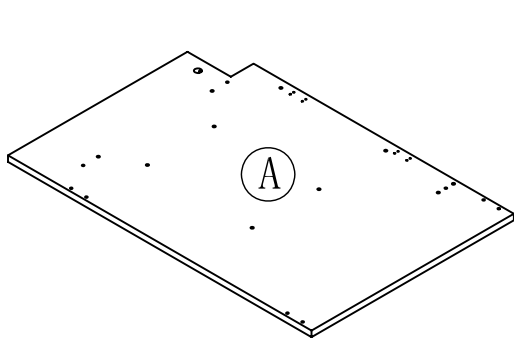


545137 • 545145 • 545152 • 545160

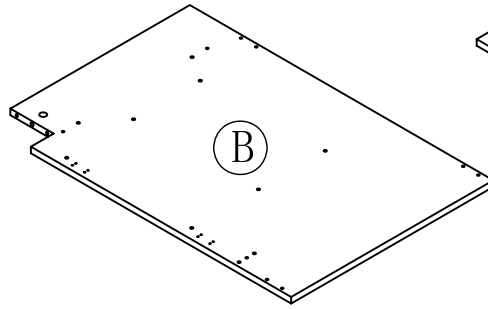
ASSEMBLY INSTRUCTIONS

DHI Corp. • 5205 W. Donges Bay Rd. • Mequon, WI 53092 • 800.558.8700

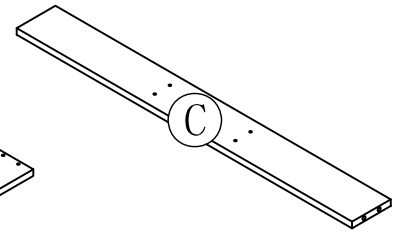
PARTS LIST:



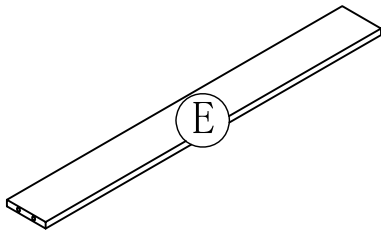
LEFT SIDE PANEL 1PC



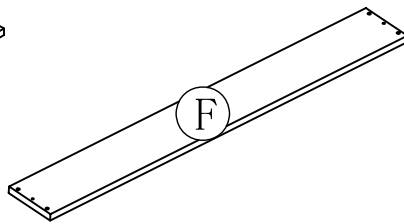
RIGHT SIDE PANEL 1PC



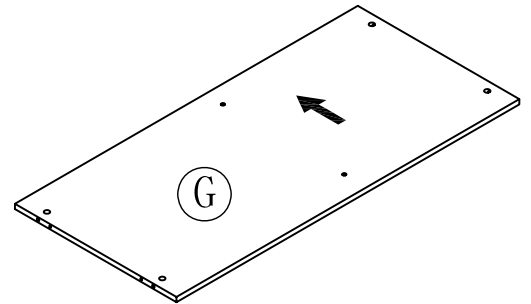
LOWER BACK CROSS BRACE 1PC



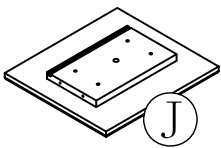
UP BACK CROSS BRACE 1PC



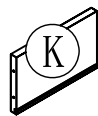
TOE KICK PANEL 1PC



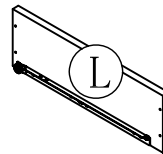
BOTTOM PANEL 1PC



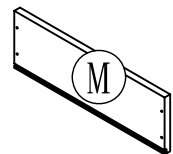
DRAWER FRONT PANEL 2PCS



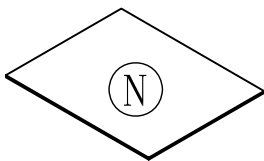
DRAWER BACK PANEL 2PCS



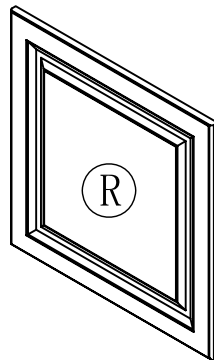
DRAWER LEFT SIDE PANEL 2PCS



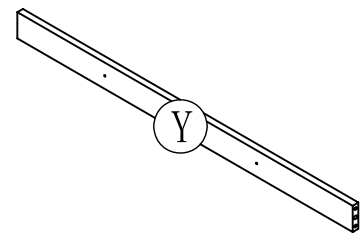
DRAWER RIGHT SIDE PANEL 2PCS



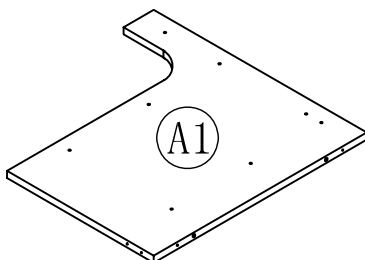
DRAWER BOTTOM PANEL 2PCS



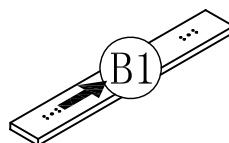
DOOR 1PC



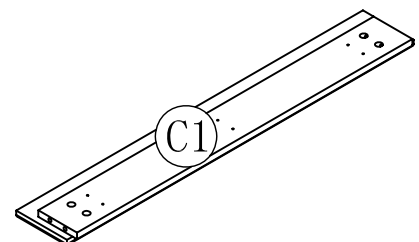
FRONT CROSS BRACE 1PC



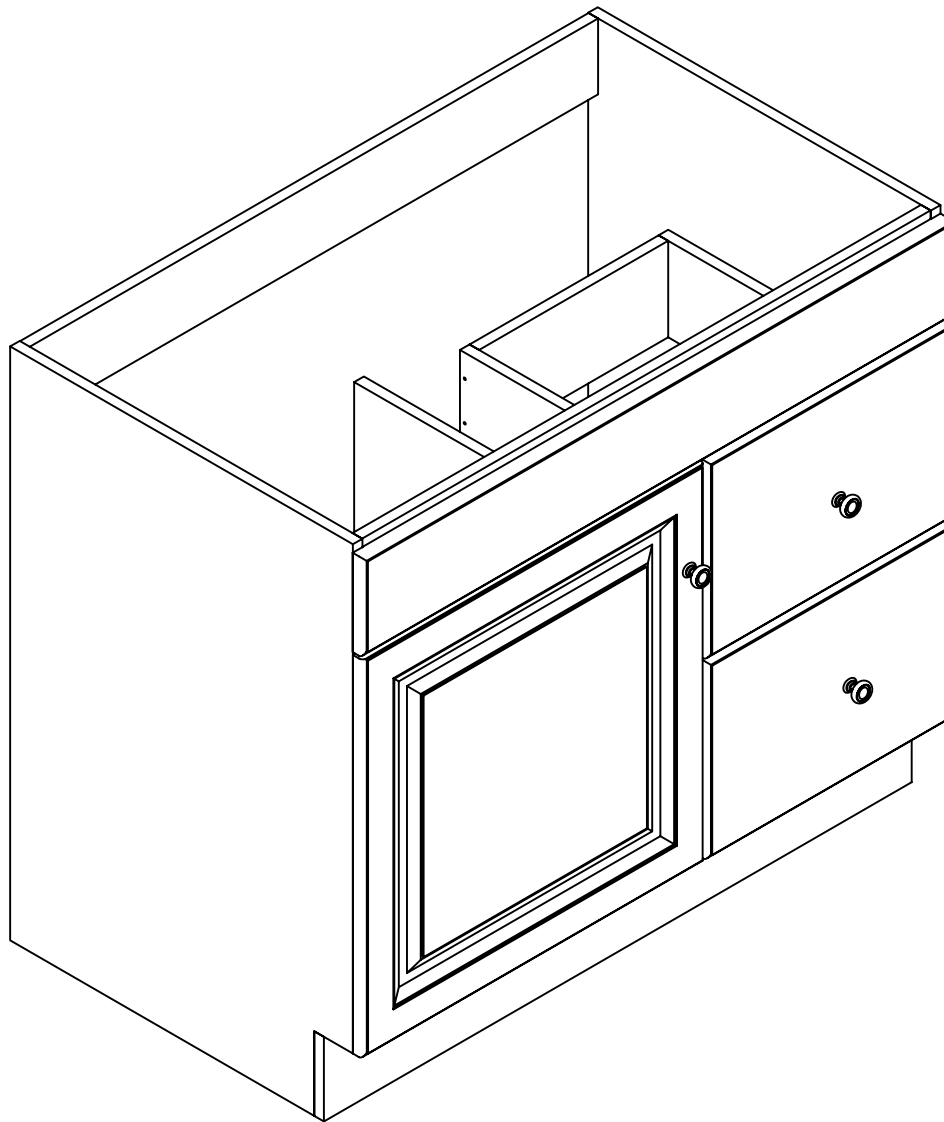
BIG PARTITION 1PC



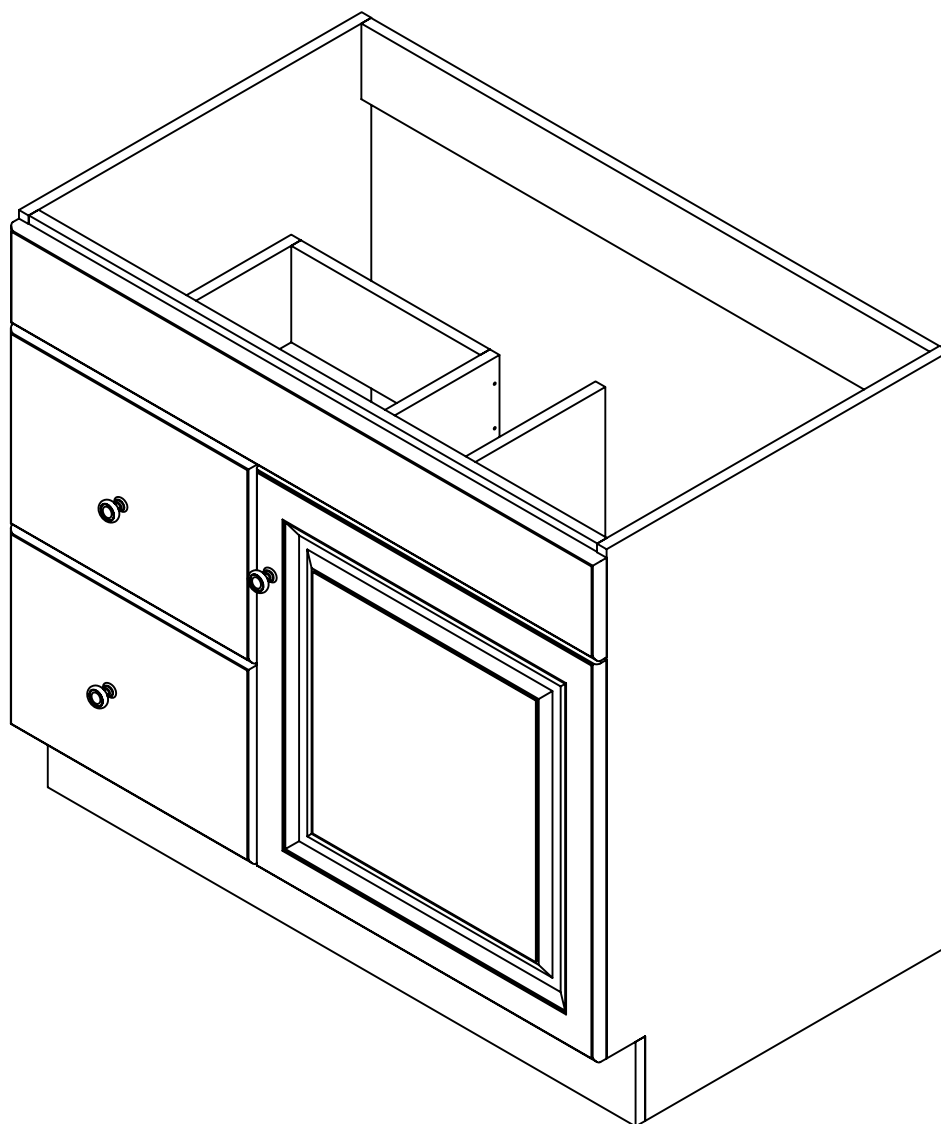
SMALL PARTITION 1PC



FALSE DRAWER FRONT 1PC

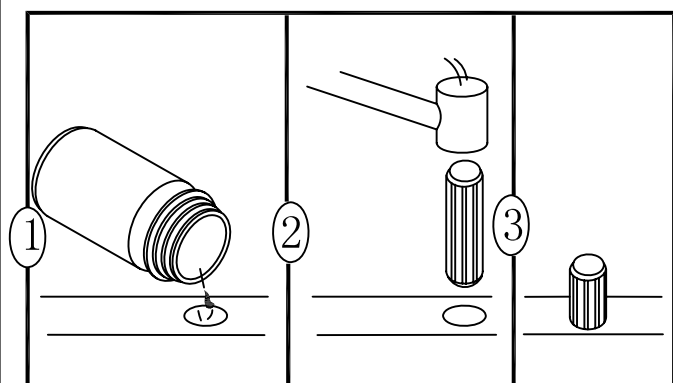
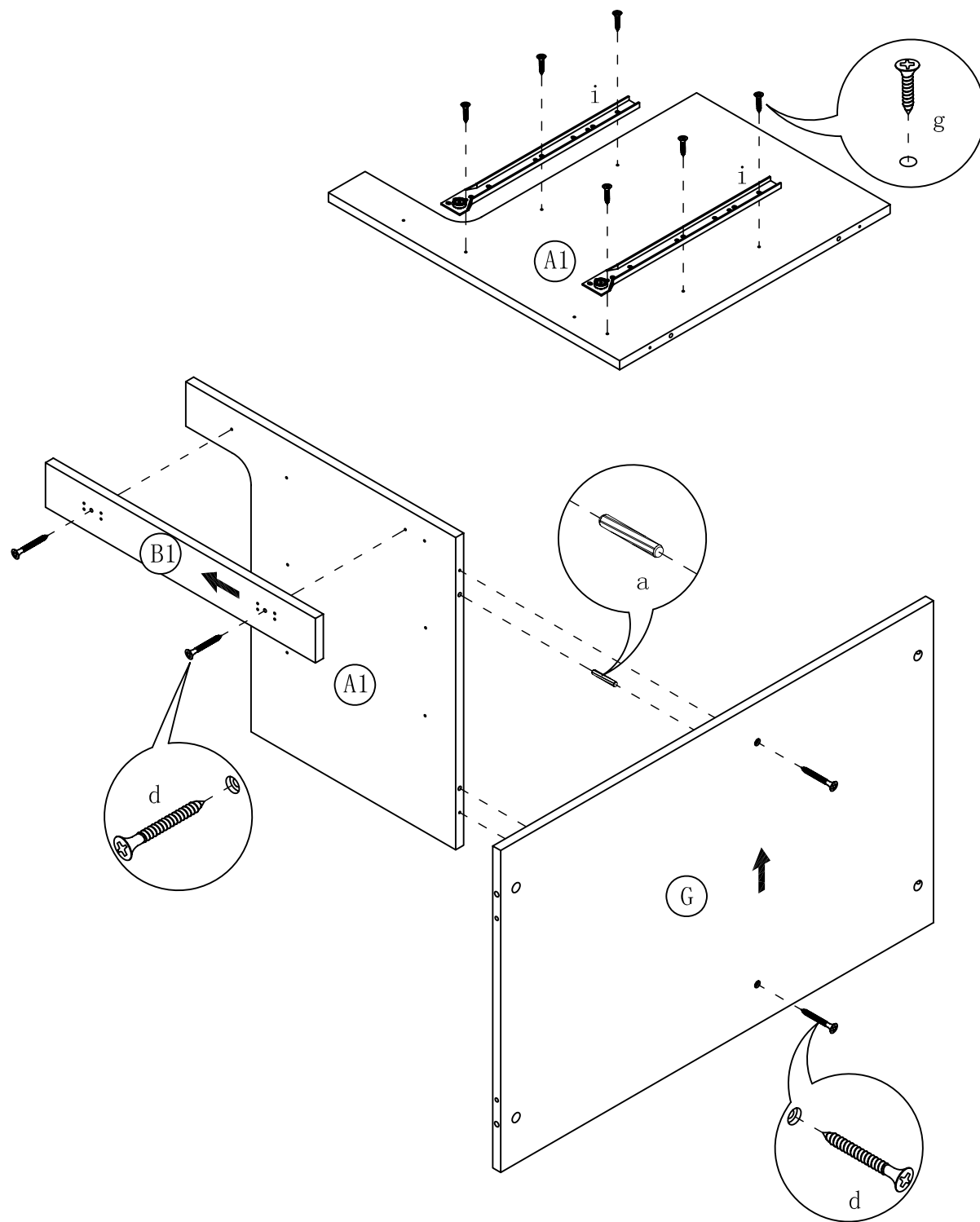


PLEASE FOLLOW STEP1~STEP10 IF YOU
WOULD LIKE THE DOOR INSTALL ON THE
LEFT SIDE AND THE DRAWERS INSTALL
ON THE RIGHT SIDE

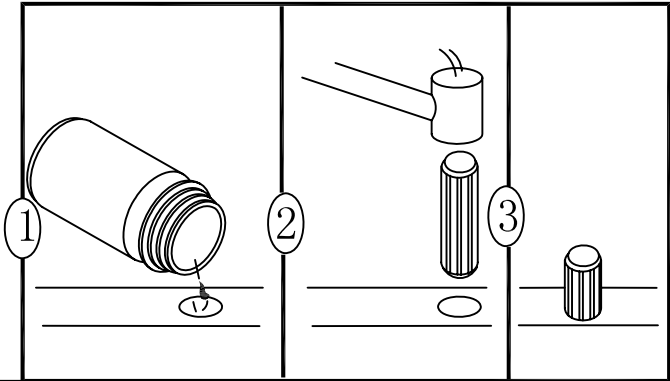
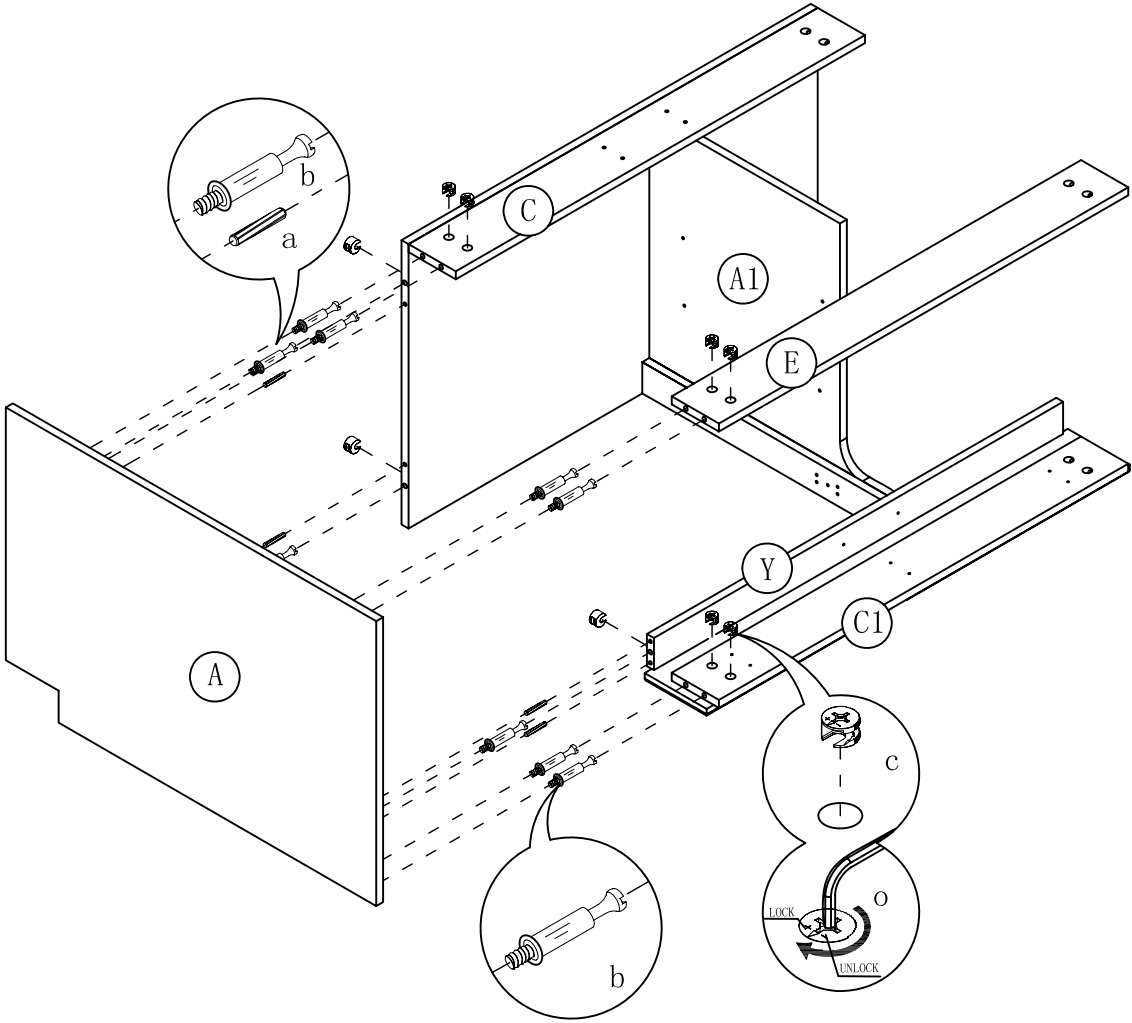


PLEASE FOLLOW STEP11~STEP20 IF YOU
WOULD LIKE THE DOOR INSTALL ON THE
RIGHT SIDE AND THE DRAWERS INSTALL
ON THE LEFT SIDE

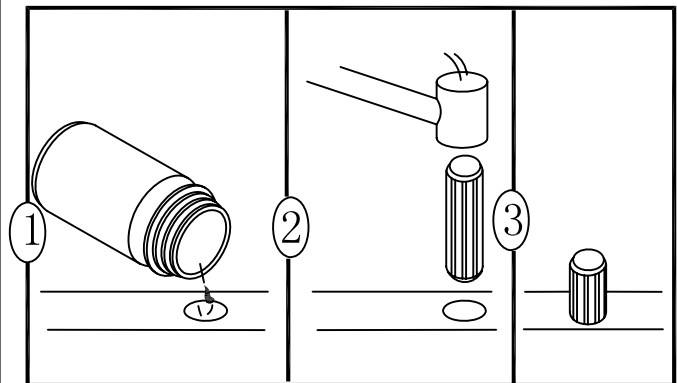
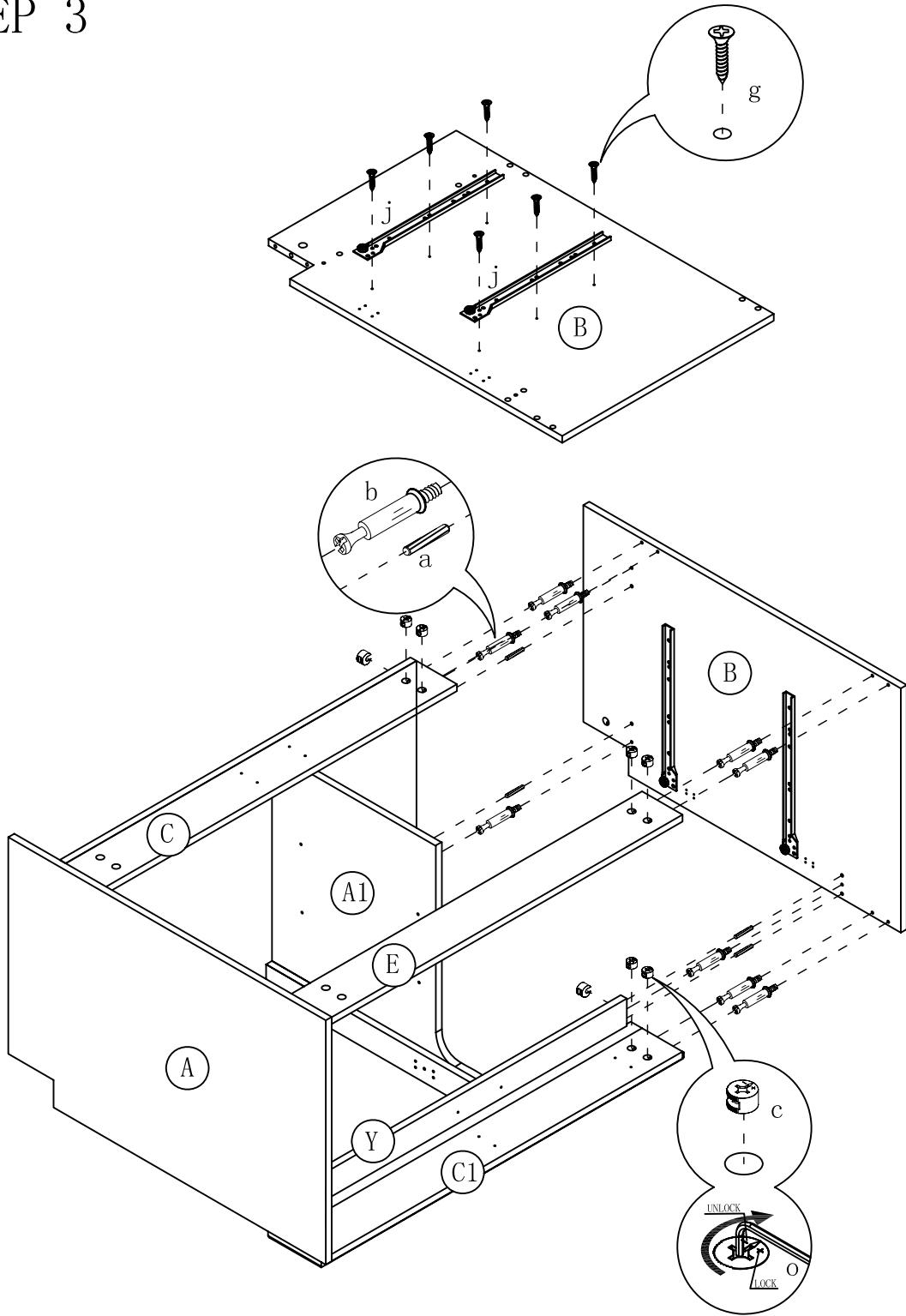
STEP 1



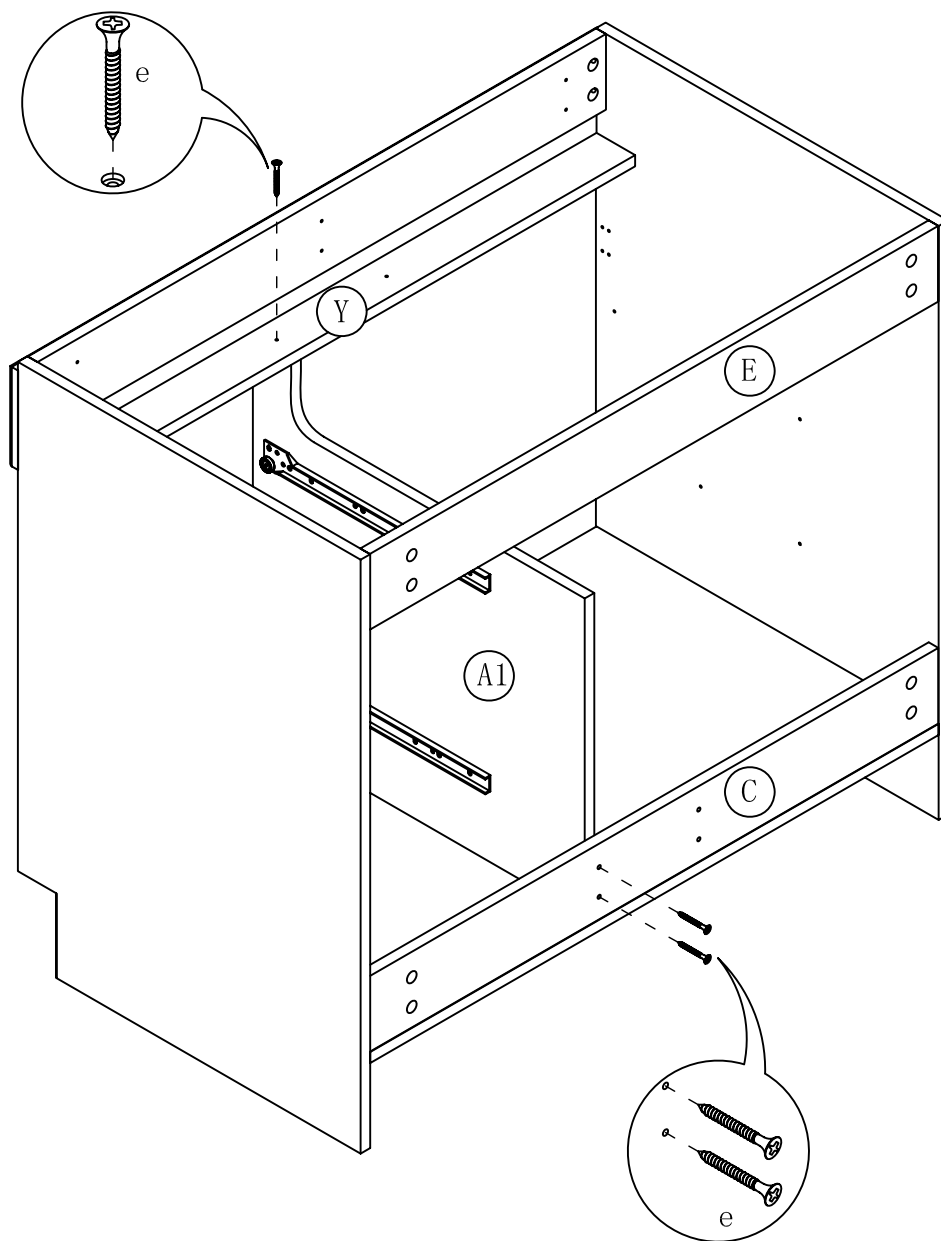
STEP 2



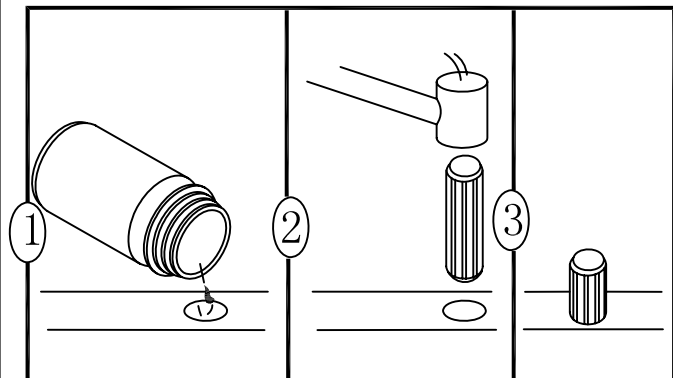
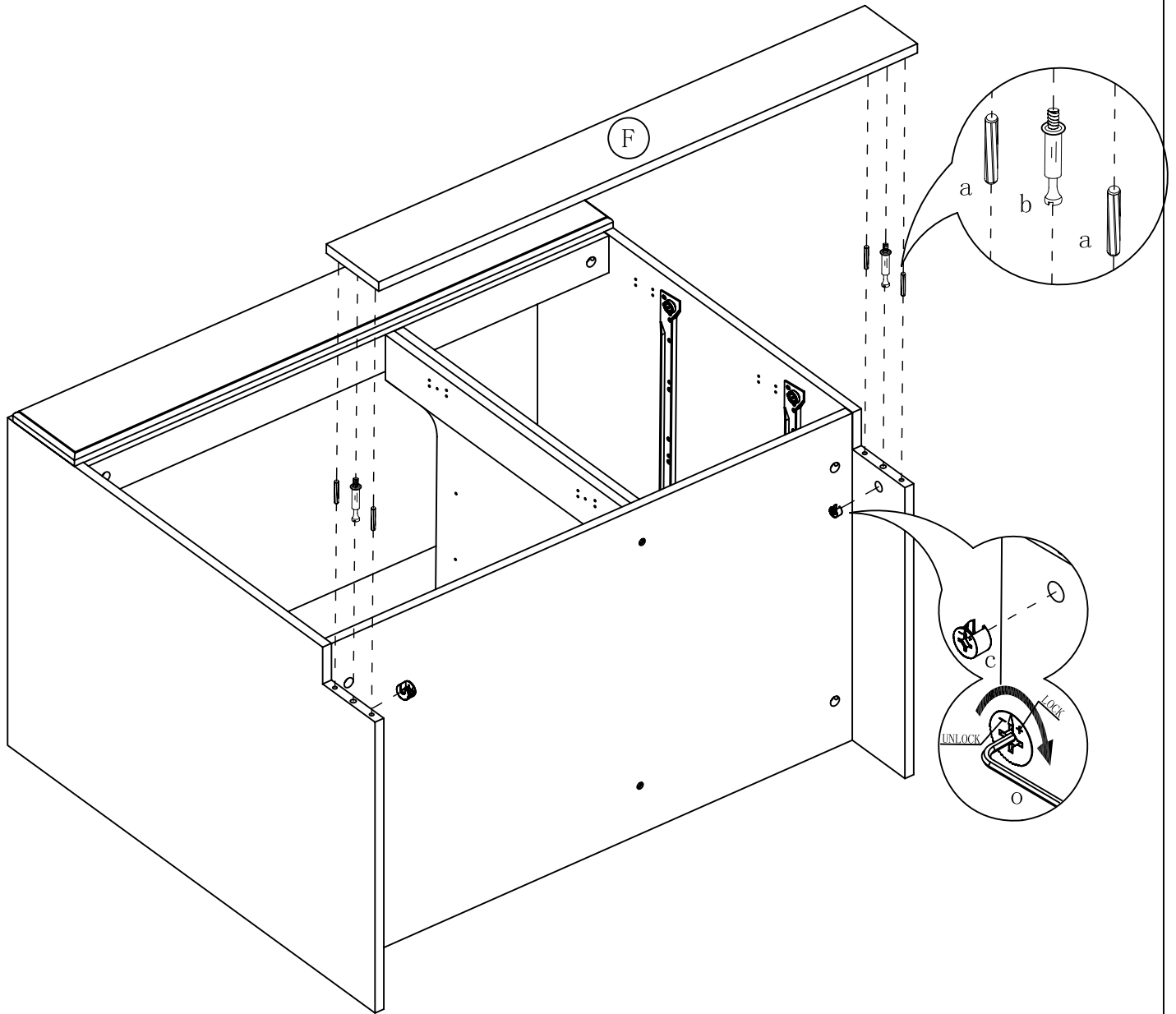
STEP 3



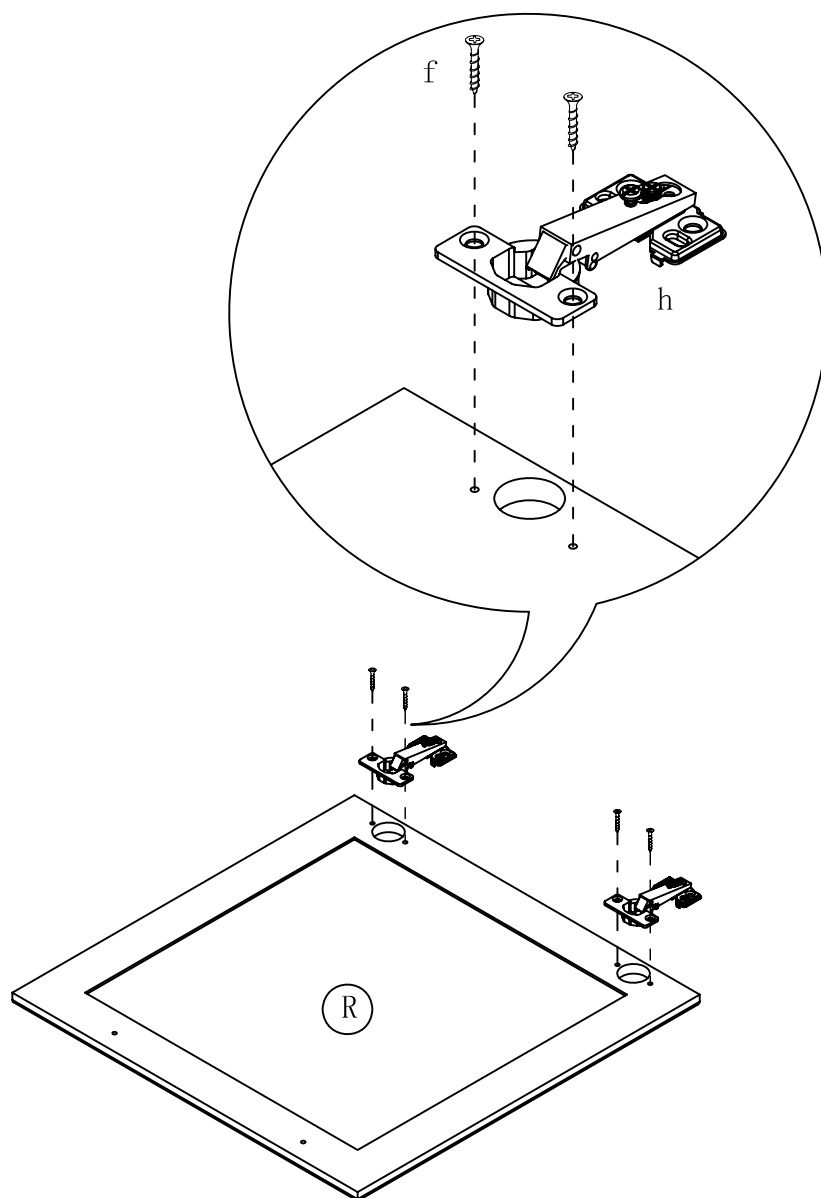
STEP 4



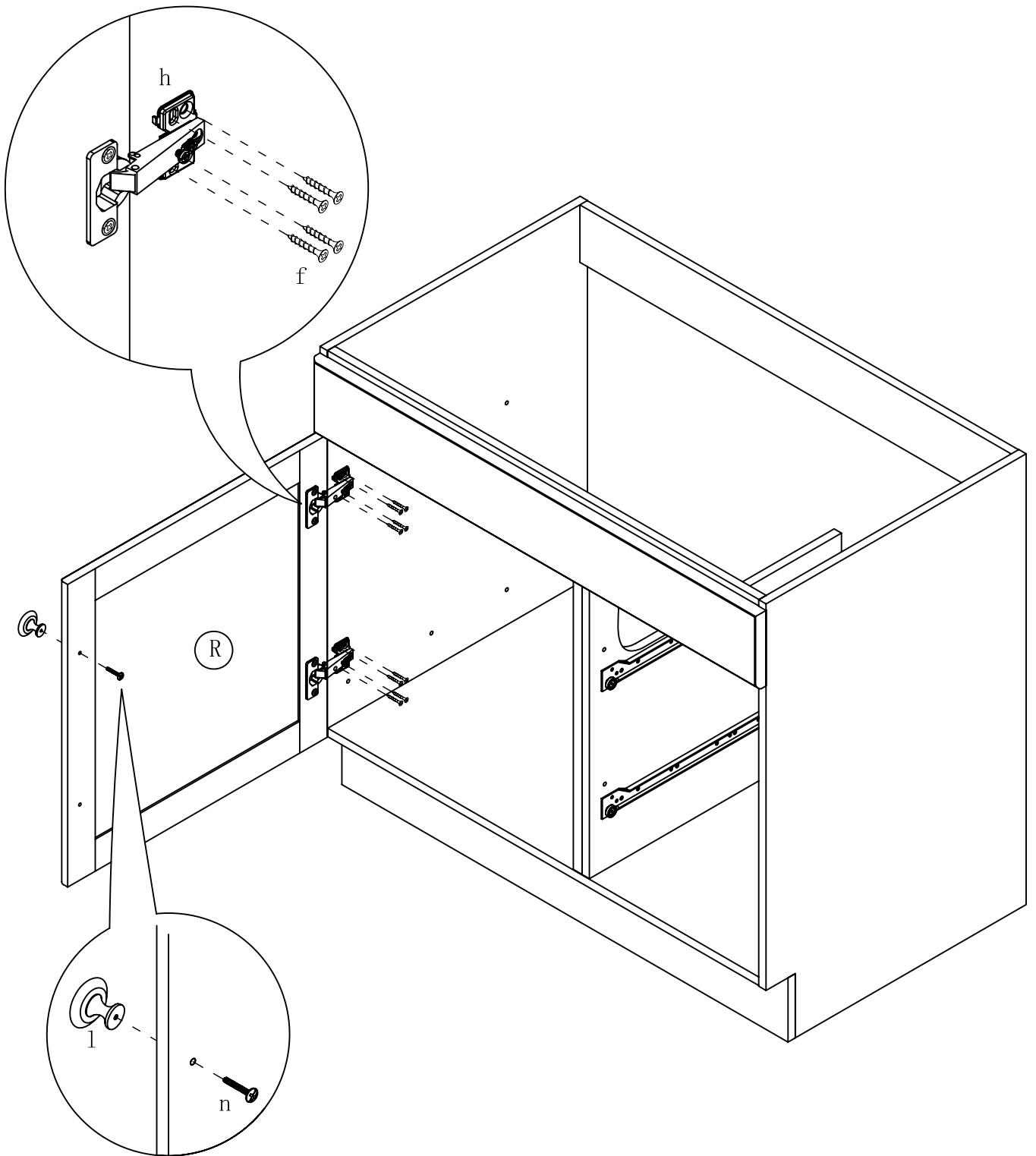
STEP 5



STEP 6

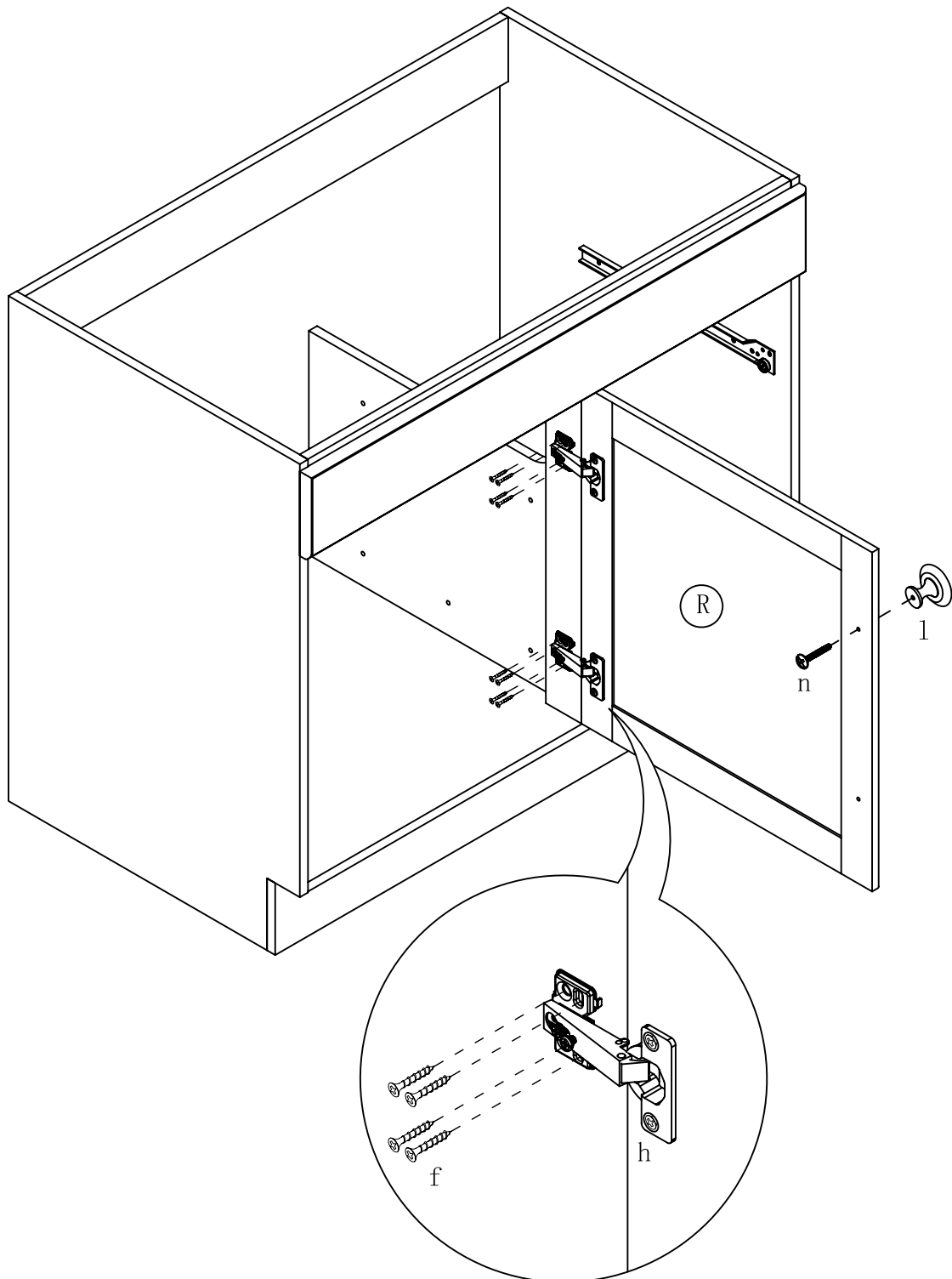


STEP 7



PLEASE FOLLOW STEP 7 IF
YOU WOULD LIKE THE
DOOR OPEN FROM THE
LEFT

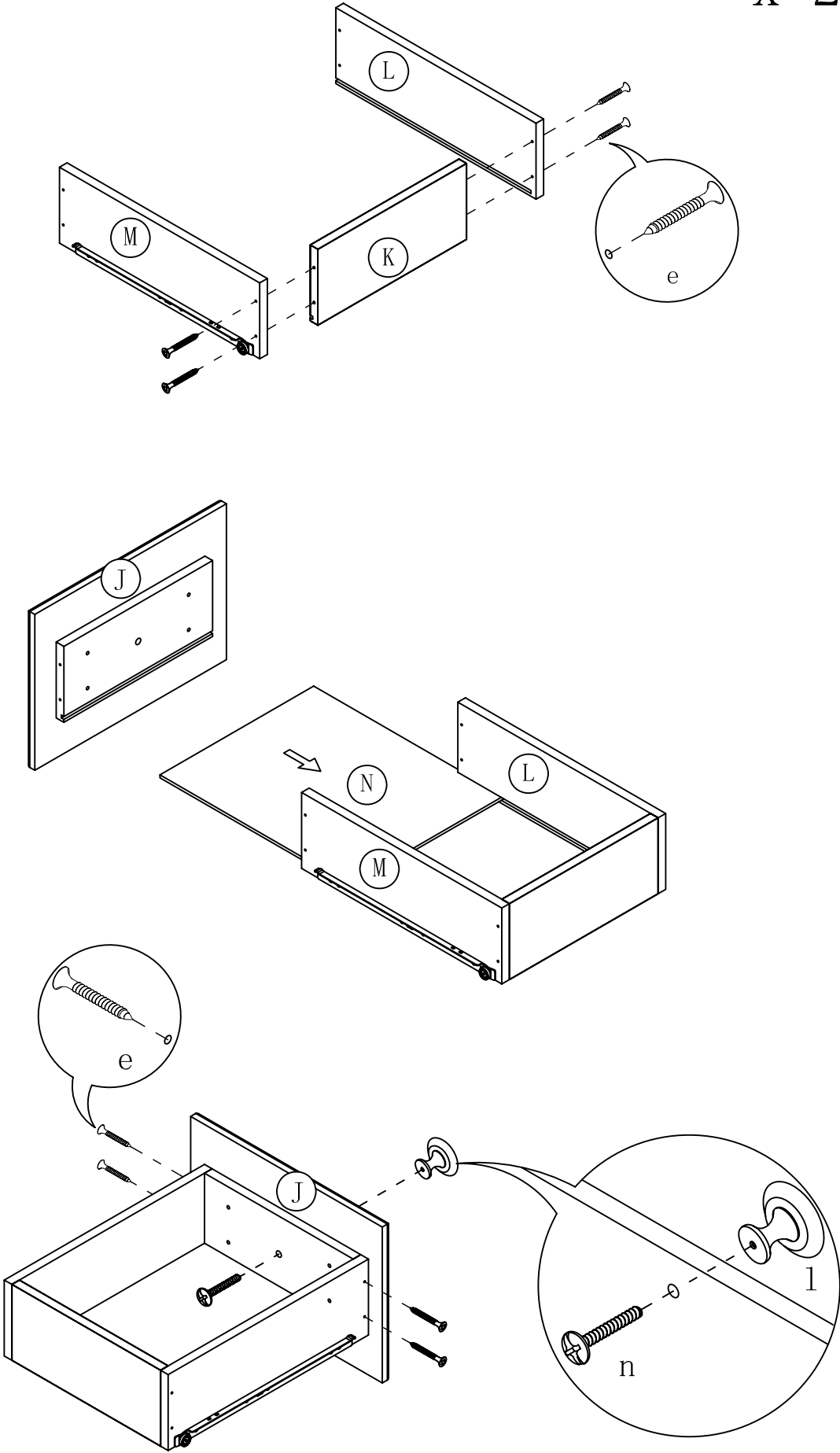
STEP 8



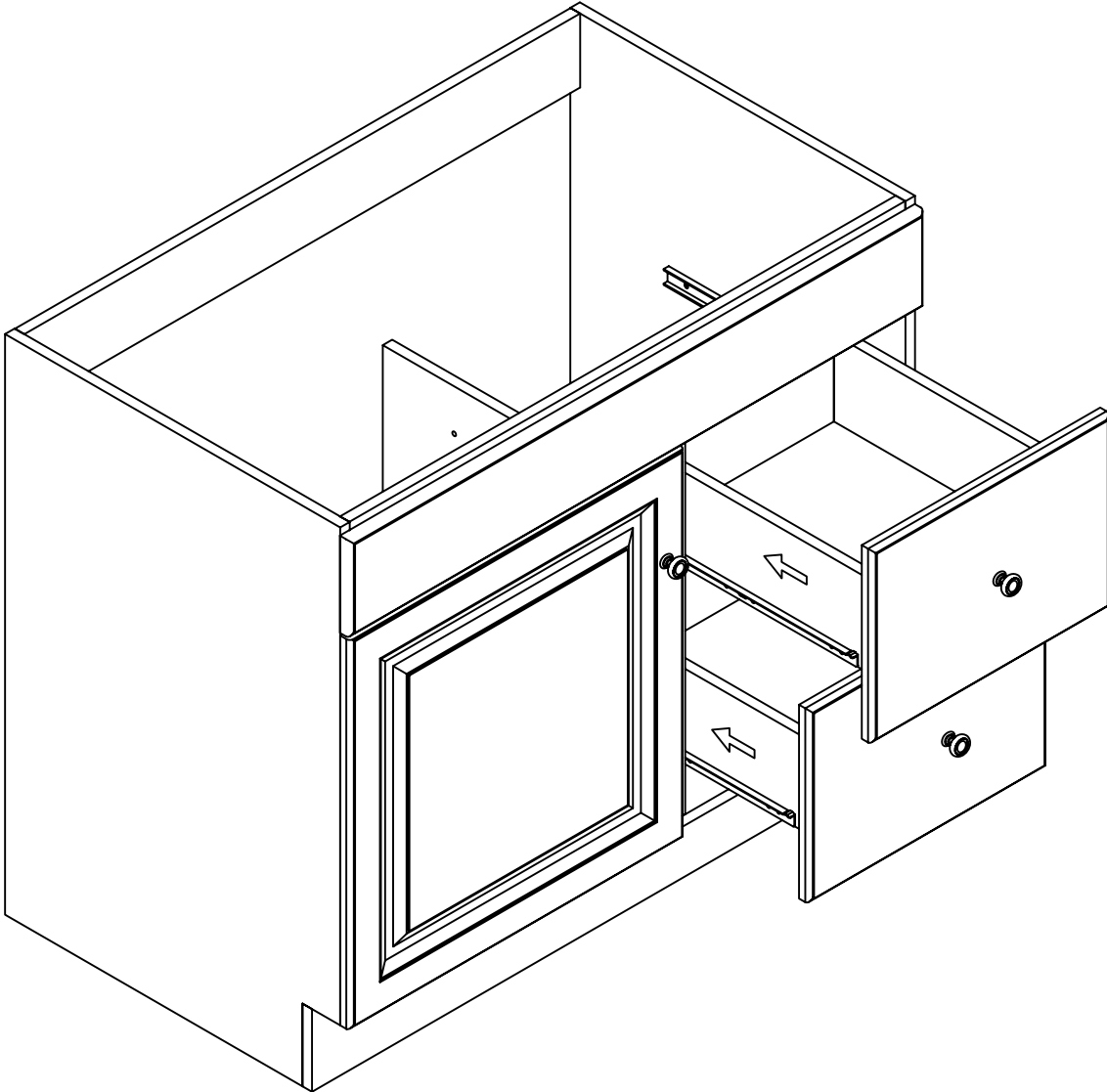
PLEASE FOLLOW STEP 8 IF
YOU WOULD LIKE THE
DOOR OPEN FROM THE
RIGHT

STEP 9

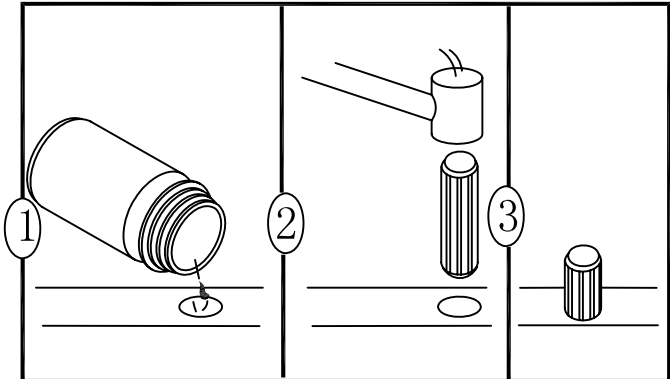
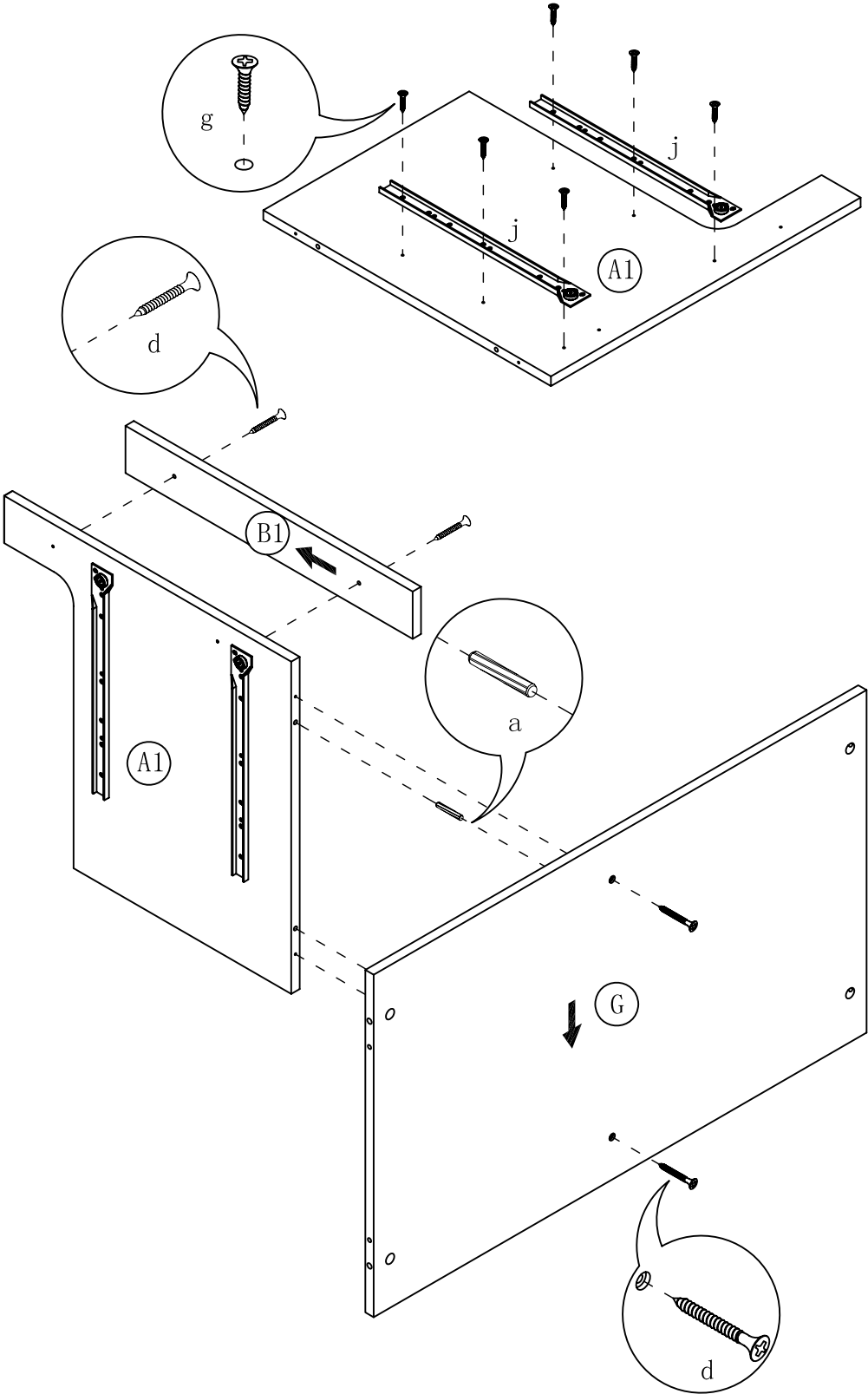
x 2



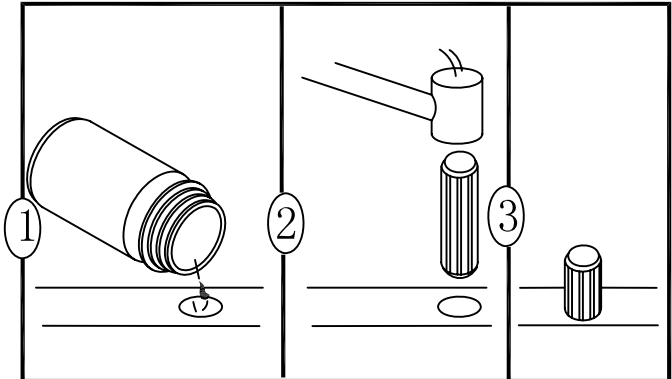
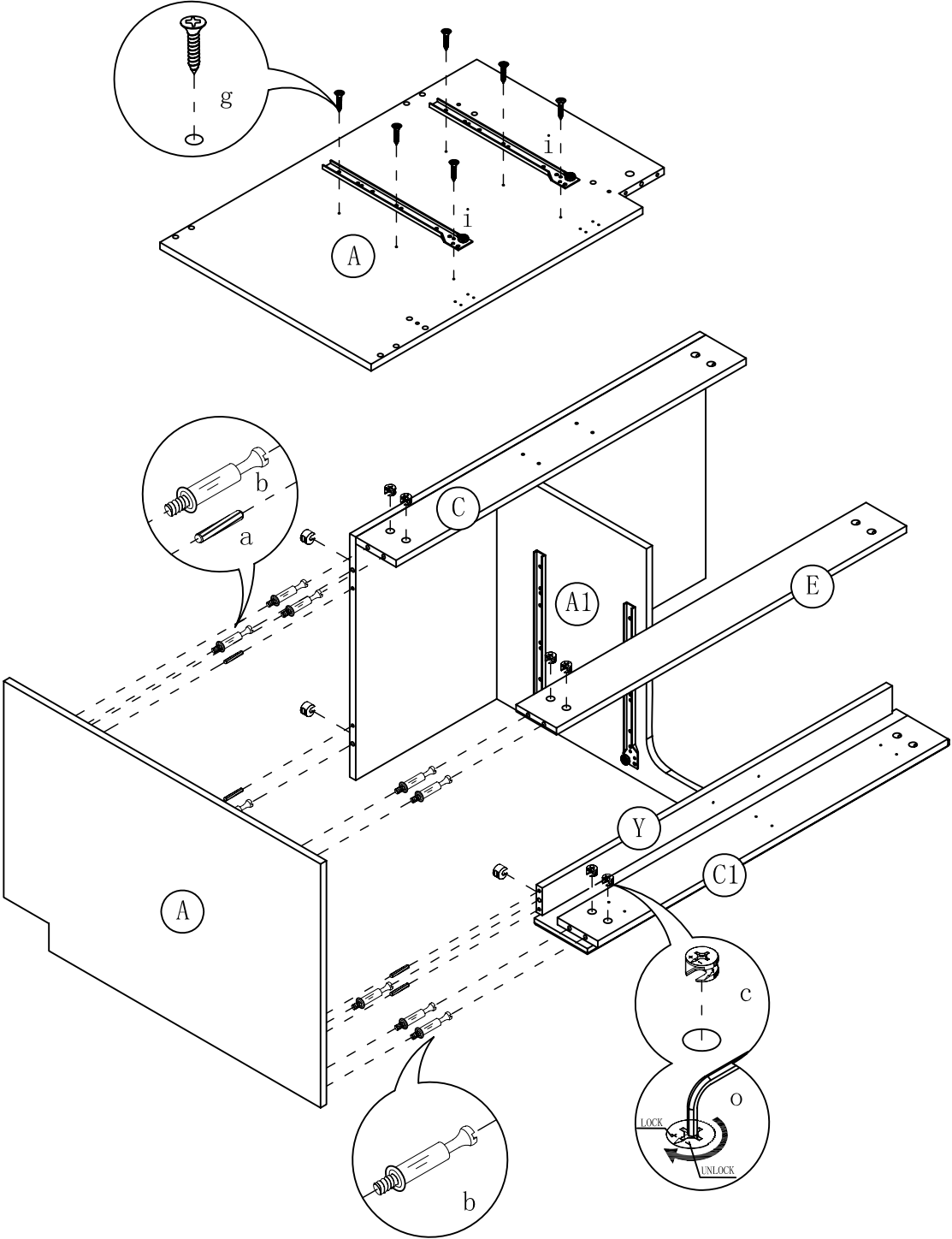
STEP 10



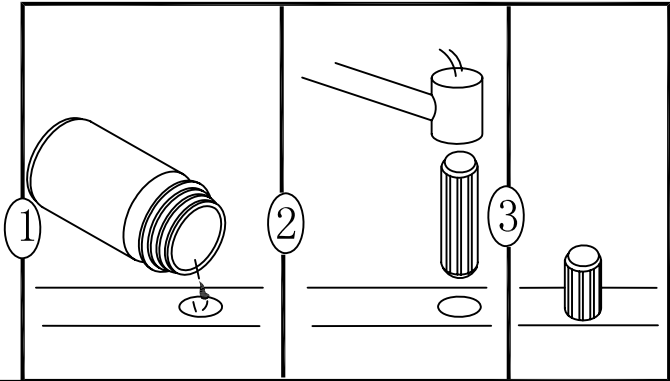
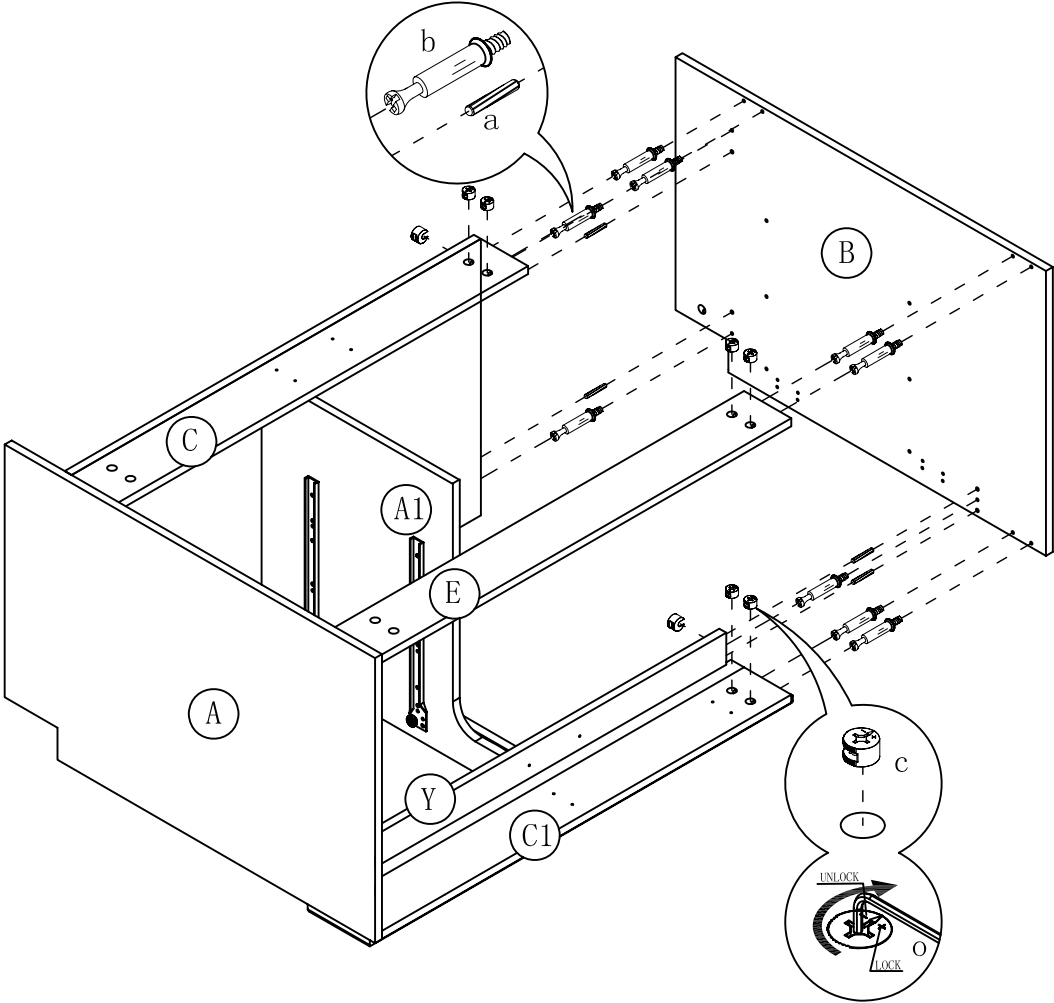
STEP 11



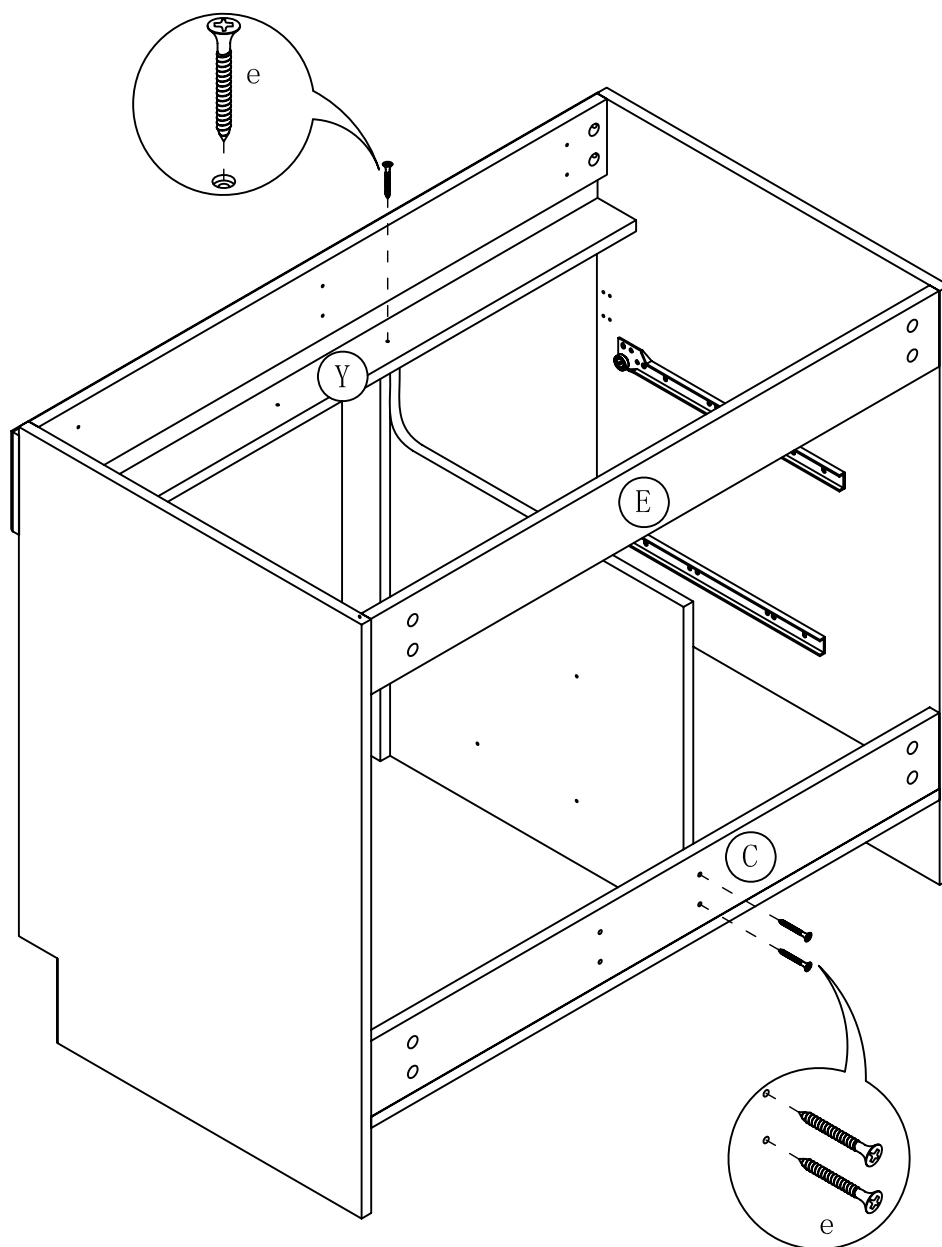
STEP 12



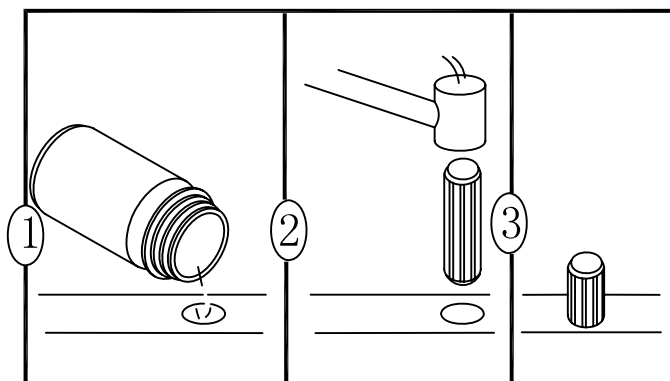
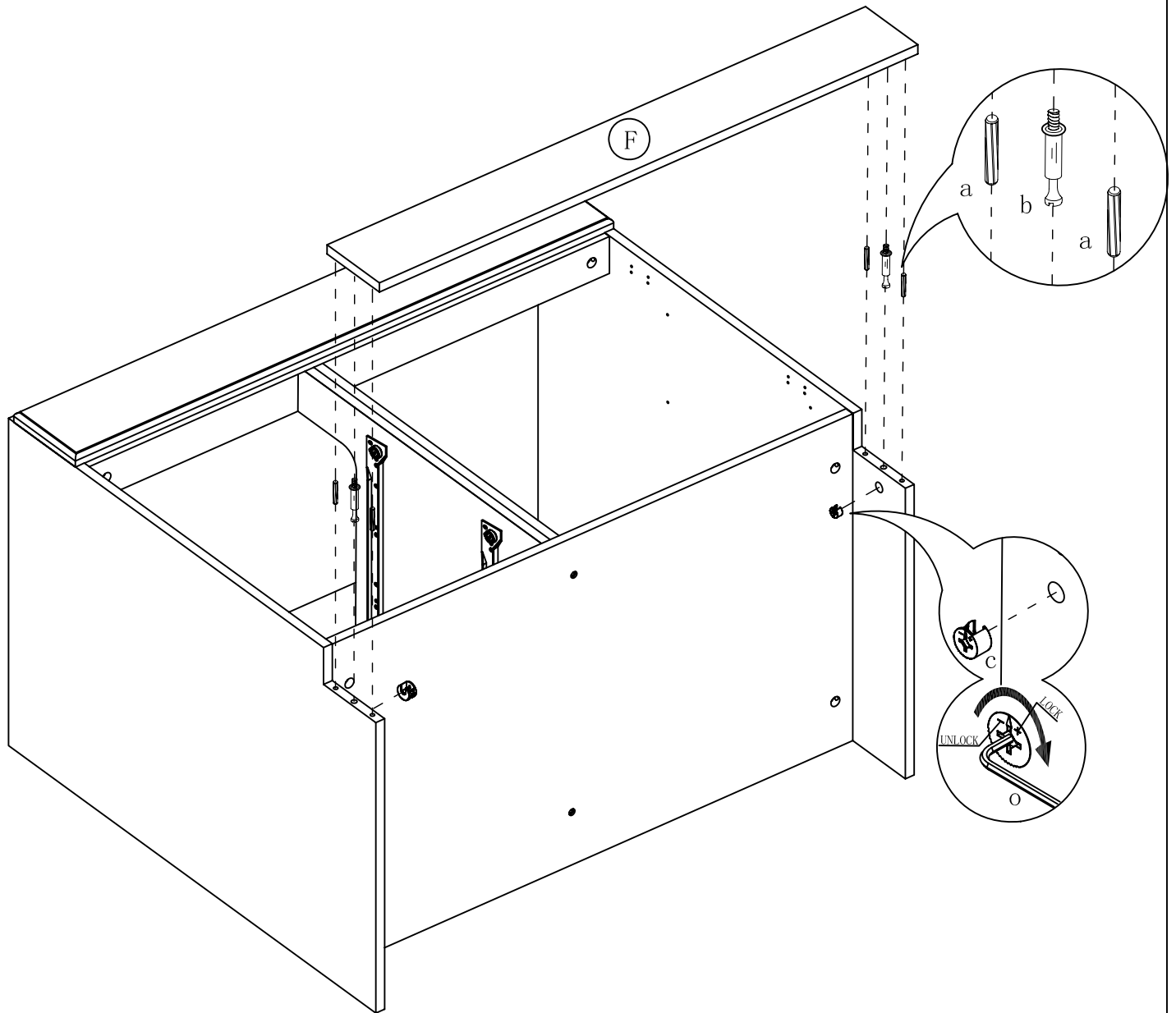
STEP 13



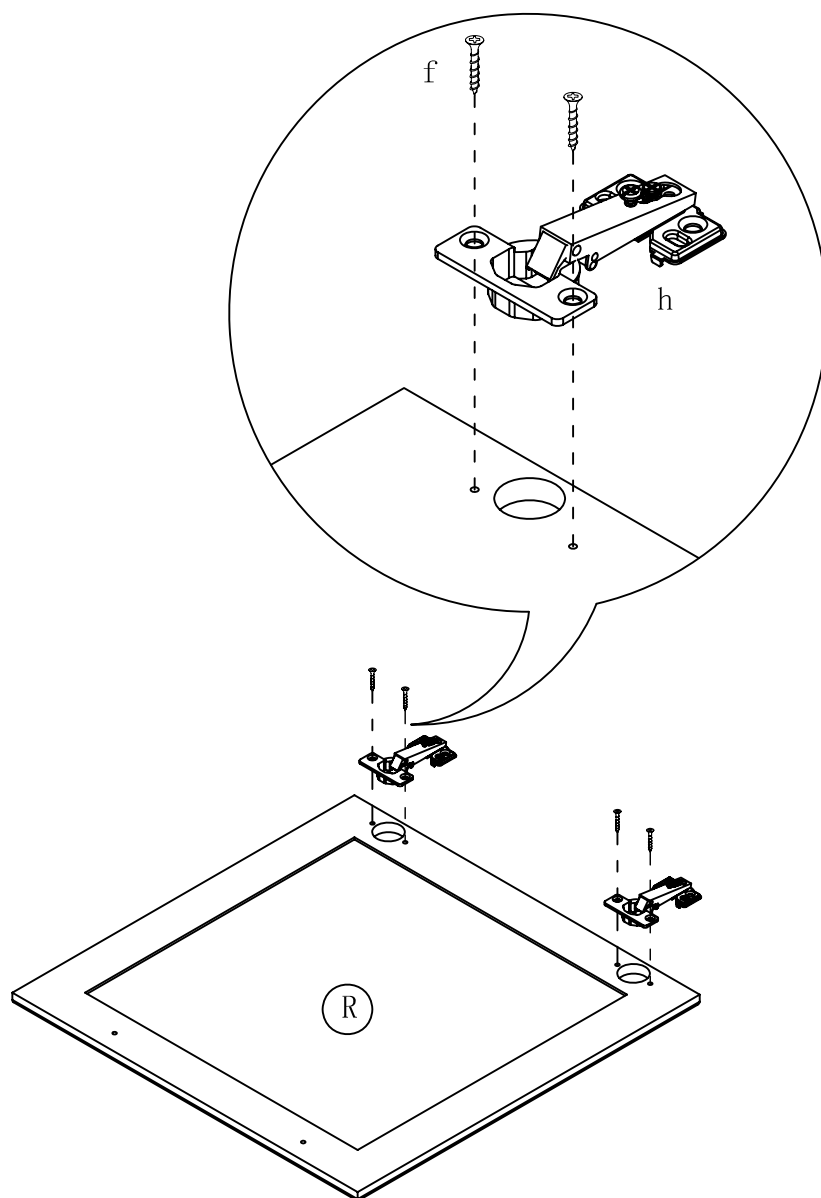
STEP 14



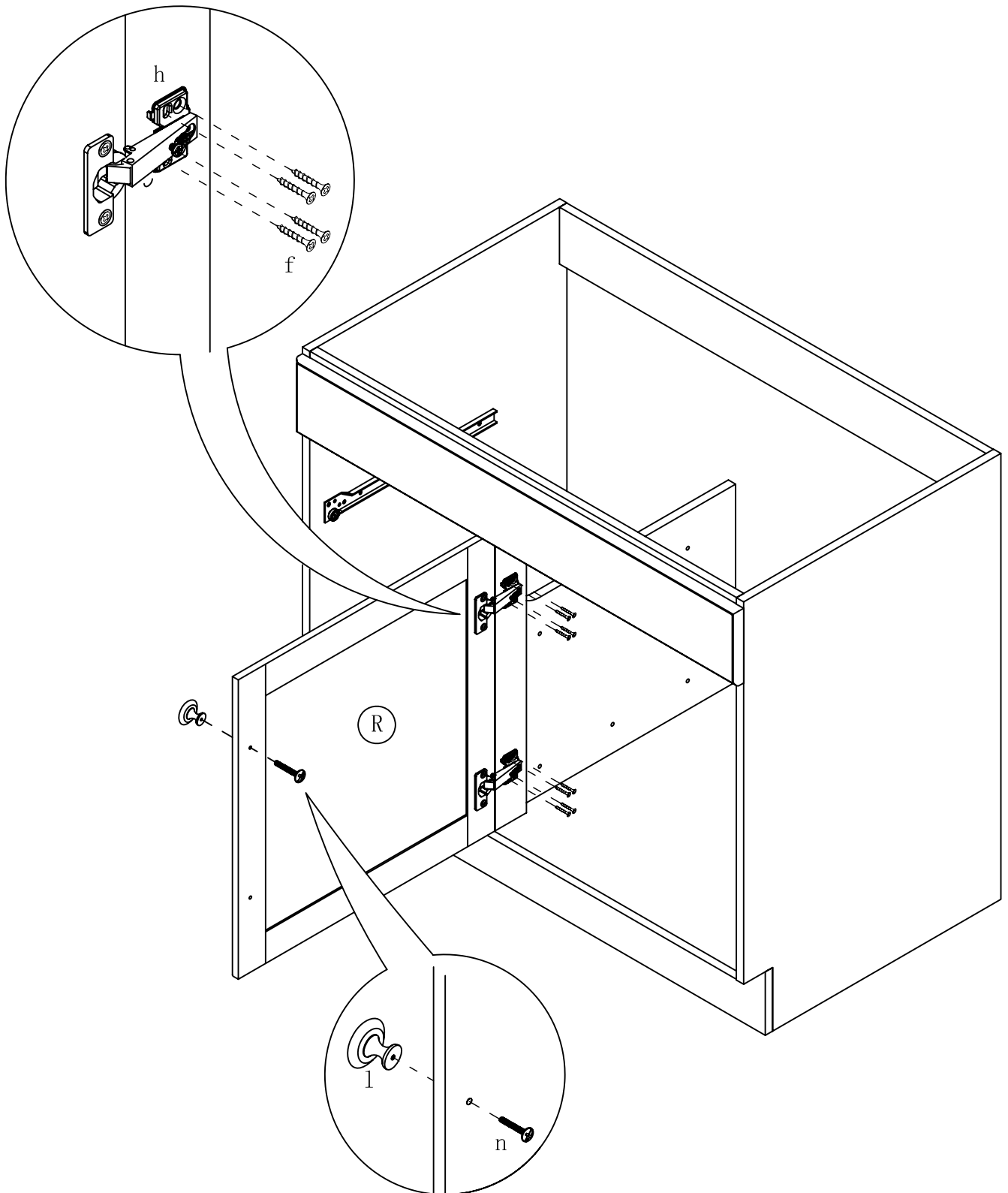
STEP 15



STEP 16

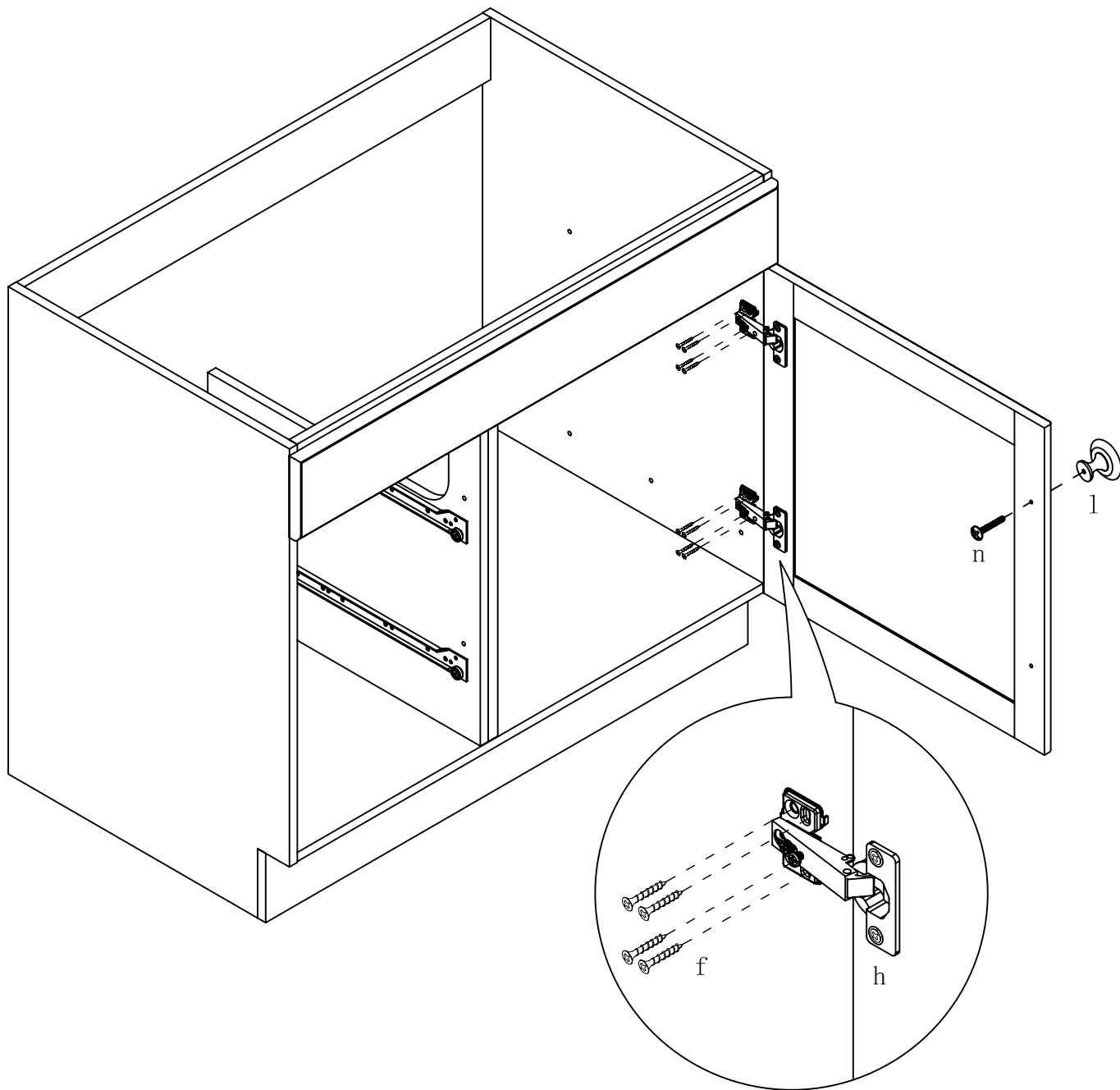


STEP 17



PLEASE FOLLOW STEP 17 IF
YOU WOULD LIKE THE
DOOR OPEN FROM THE
LEFT

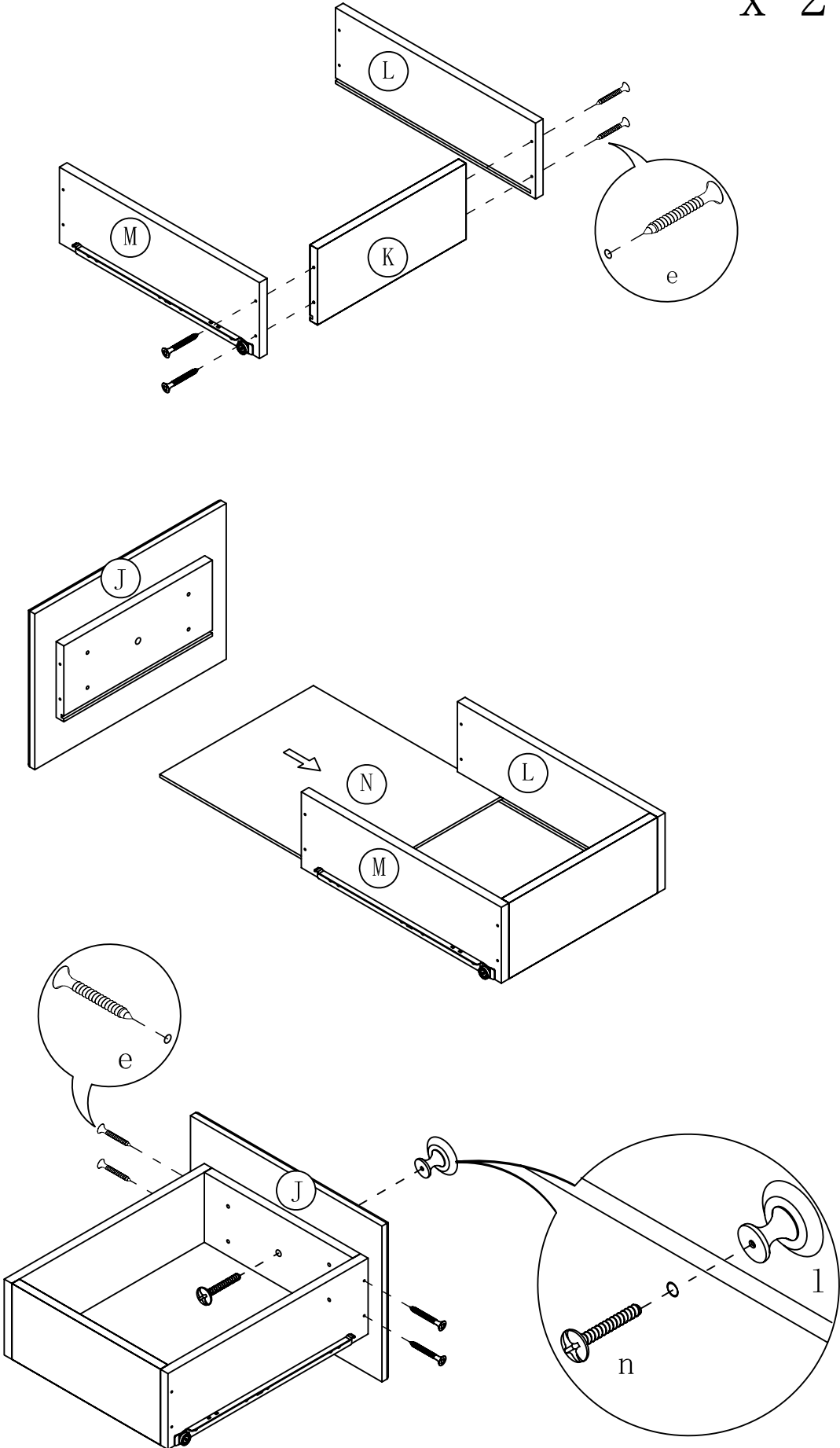
STEP 18



PLEASE FOLLOW STEP 18 IF
YOU WOULD LIKE THE
DOOR OPEN FROM THE
RIGHT

STEP 19

x 2



STEP 20

