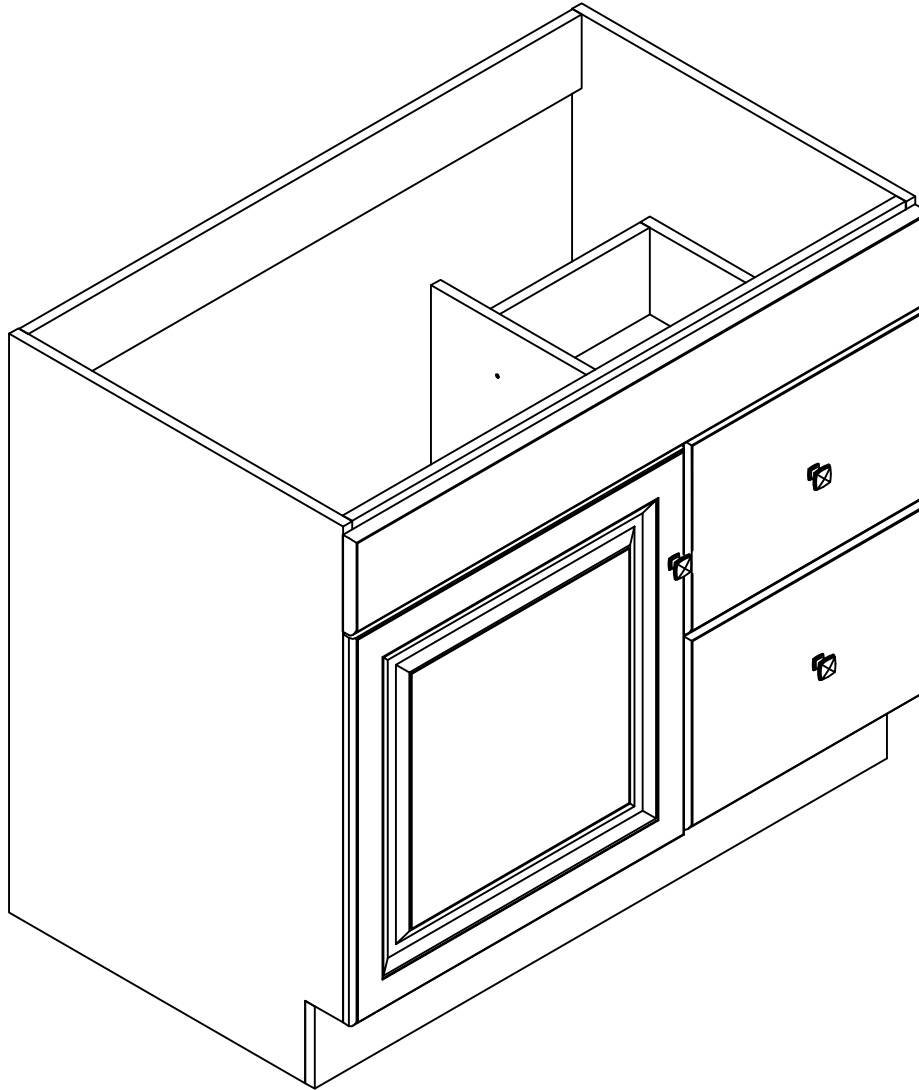




[www.todaysdesignhouse.com](http://www.todaysdesignhouse.com)

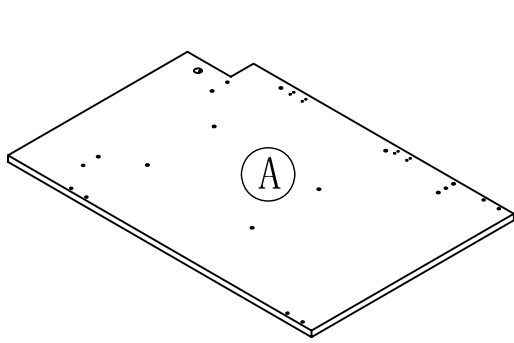


545053 • 545061 • 545079

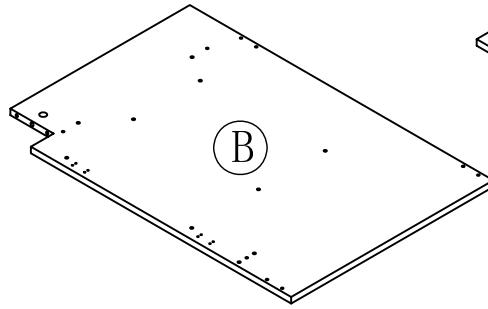
# ASSEMBLY INSTRUCTIONS

DHI Corp. • 5205 W. Donges Bay Rd. • Mequon, WI 53092 • 800.558.8700

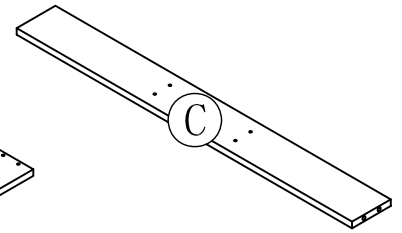
# PARTS LIST:



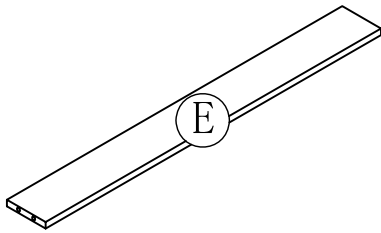
LEFT SIDE PANEL 1PC



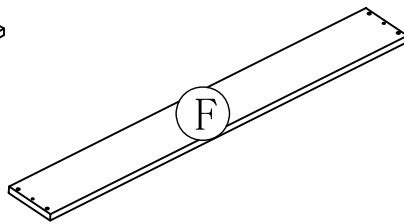
RIGHT SIDE PANEL 1PC



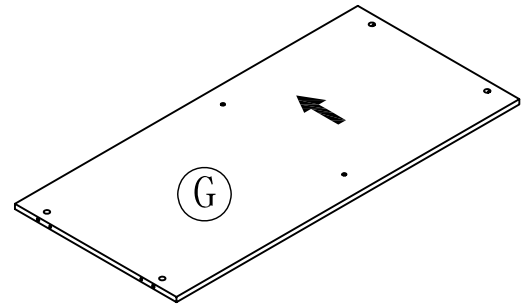
LOWER BACK CROSS BRACE 1PC



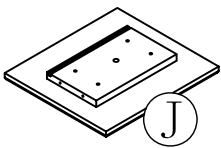
UP BACK CROSS BRACE 1PC



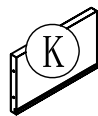
TOE KICK PANEL 1PC



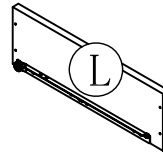
BOTTOM PANEL 1PC



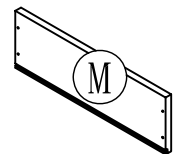
DRAWER FRONT PANEL 2PCS



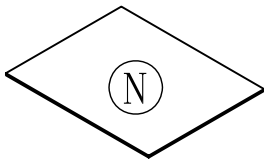
DRAWER BACK PANEL 2PCS



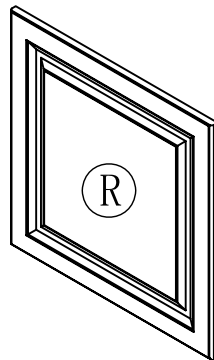
DRAWER LEFT SIDE PANEL 2PCS



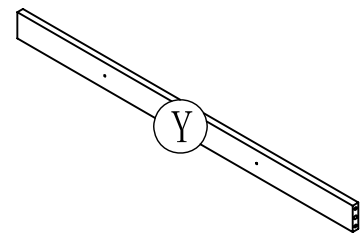
DRAWER RIGHT SIDE PANEL 2PCS



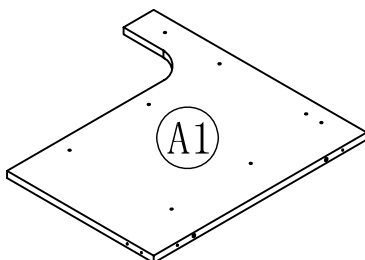
DRAWER BOTTOM PANEL 2PCS



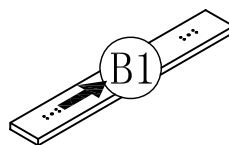
DOOR 1PC



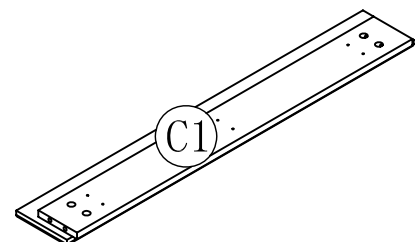
FRONT CROSS BRACE 1PC



BIG PARTITION 1PC

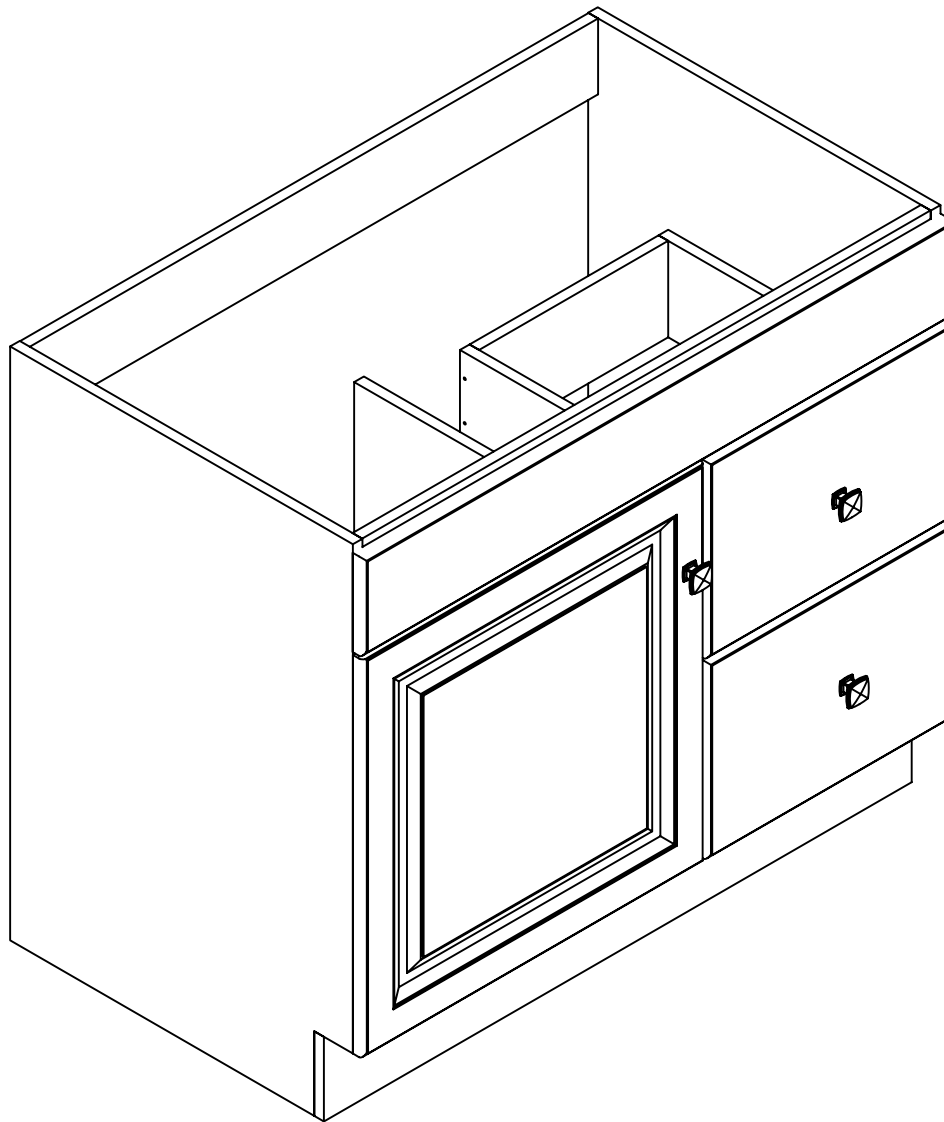


SMALL PARTITION 1PC

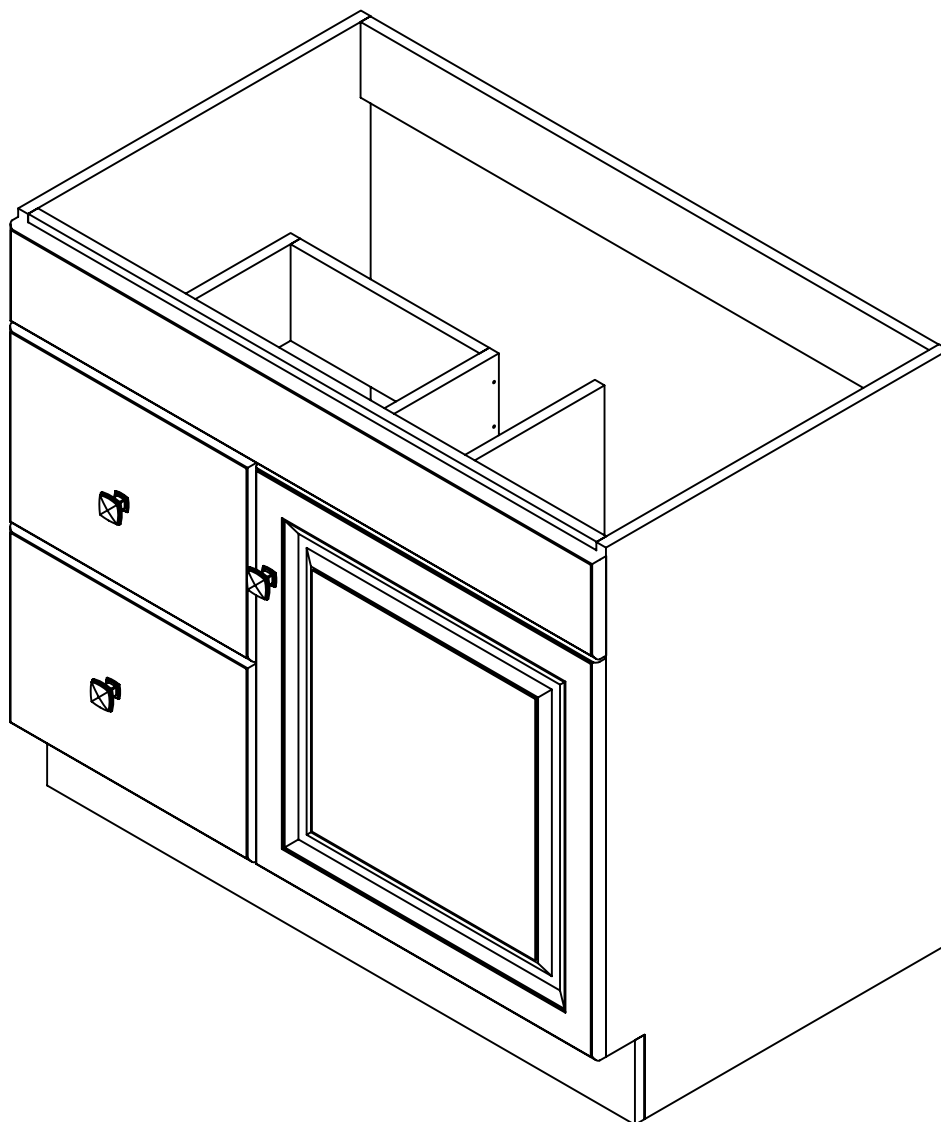


FALSE DRAWER FRONT 1PC



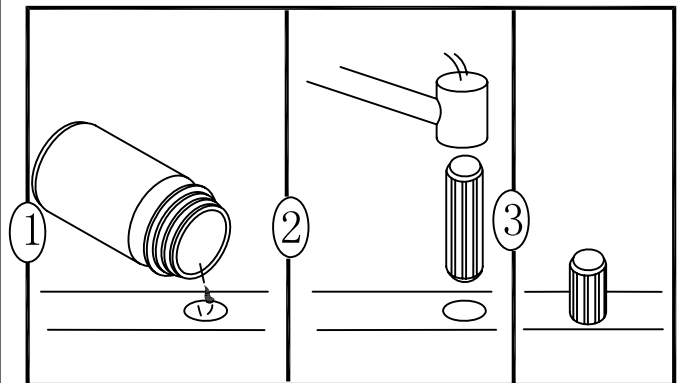
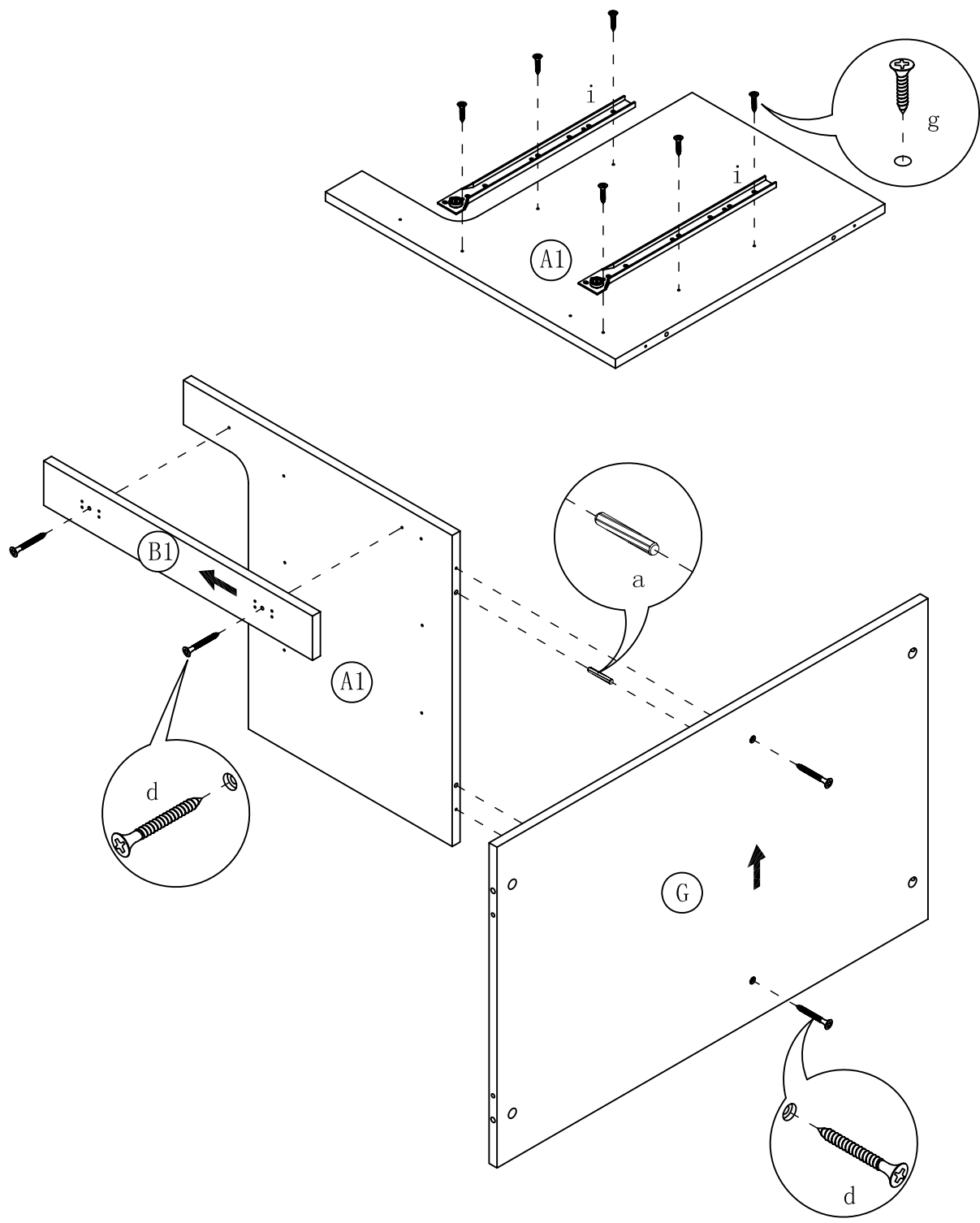


PLEASE FOLLOW STEP1~STEP10 IF YOU  
WOULD LIKE THE DOOR INSTALL ON THE  
LEFT SIDE AND THE DRAWERS INSTALL  
ON THE RIGHT SIDE

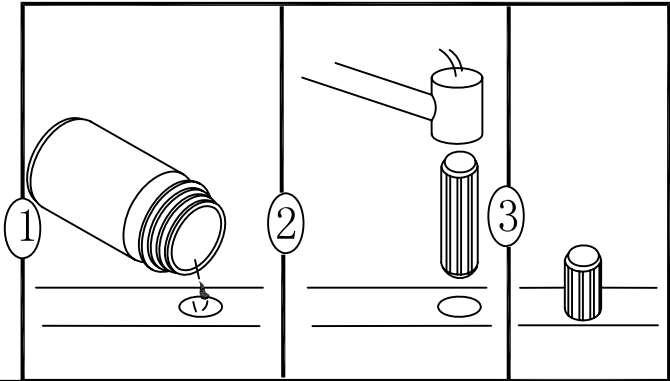
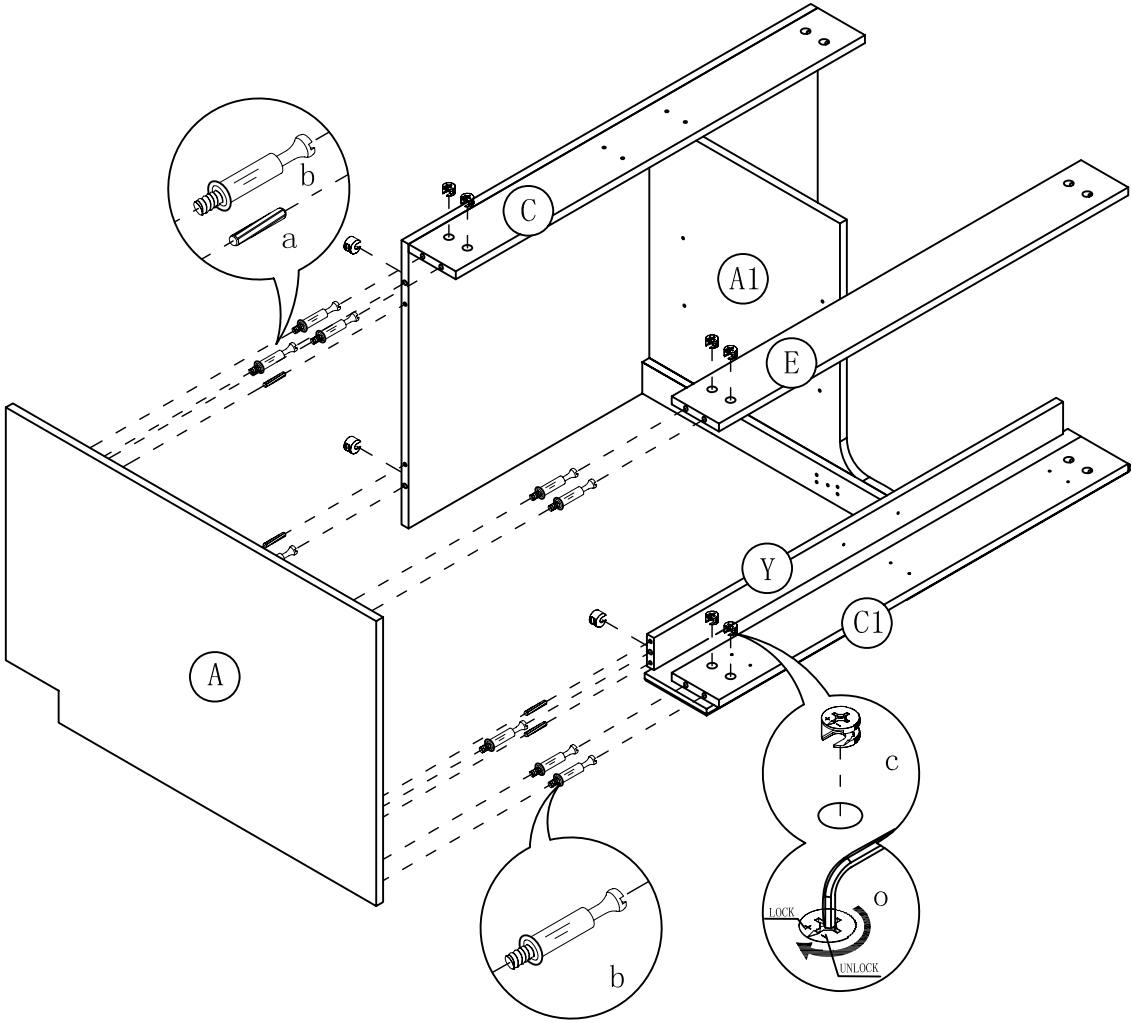


PLEASE FOLLOW STEP11~STEP20 IF YOU  
WOULD LIKE THE DOOR INSTALL ON THE  
RIGHT SIDE AND THE DRAWERS INSTALL  
ON THE LEFT SIDE

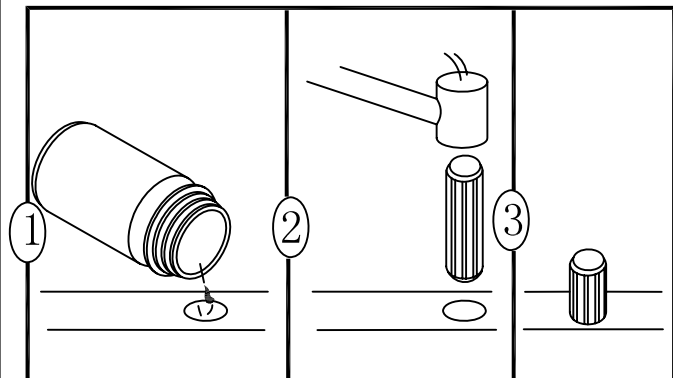
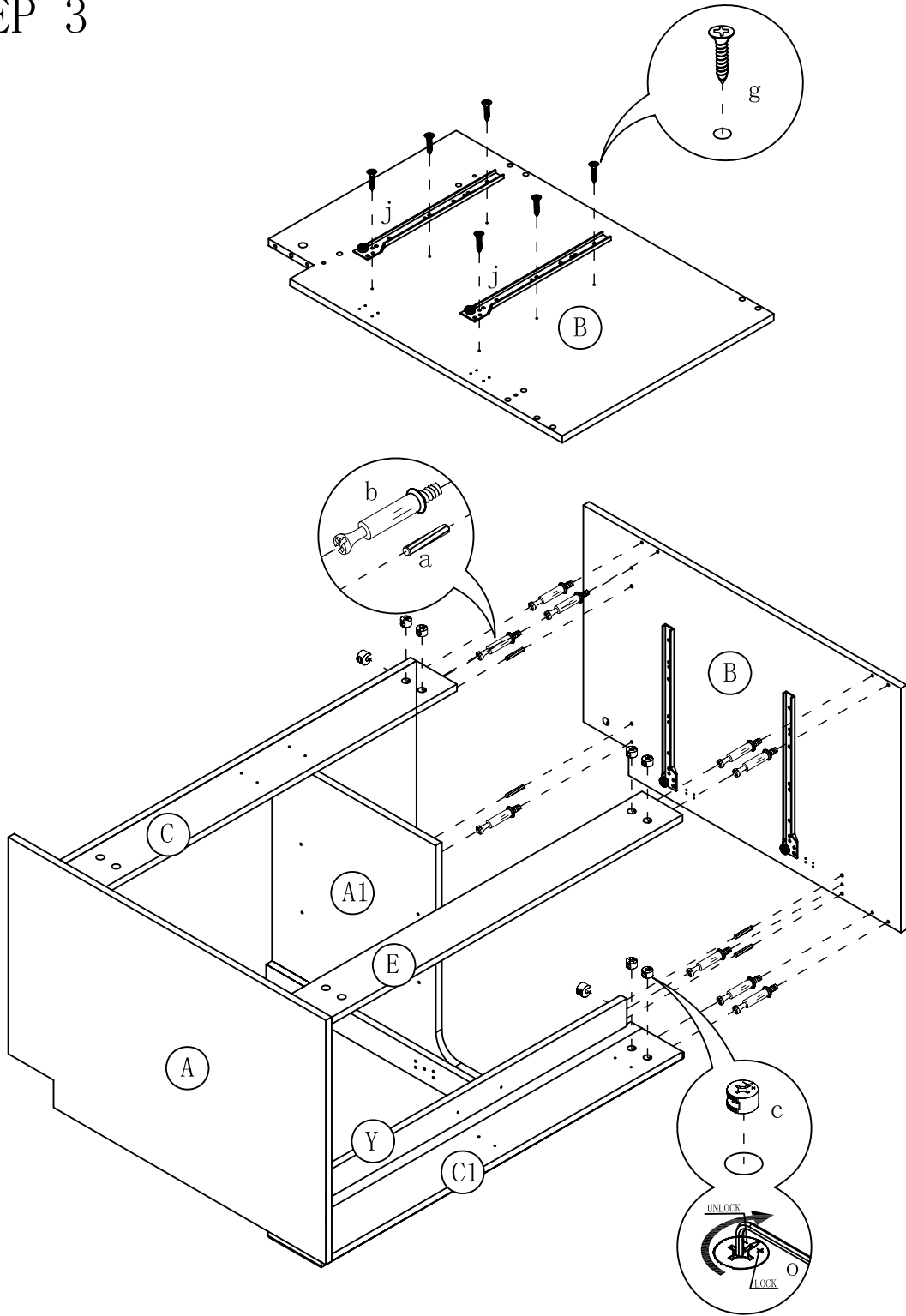
# STEP 1



# STEP 2

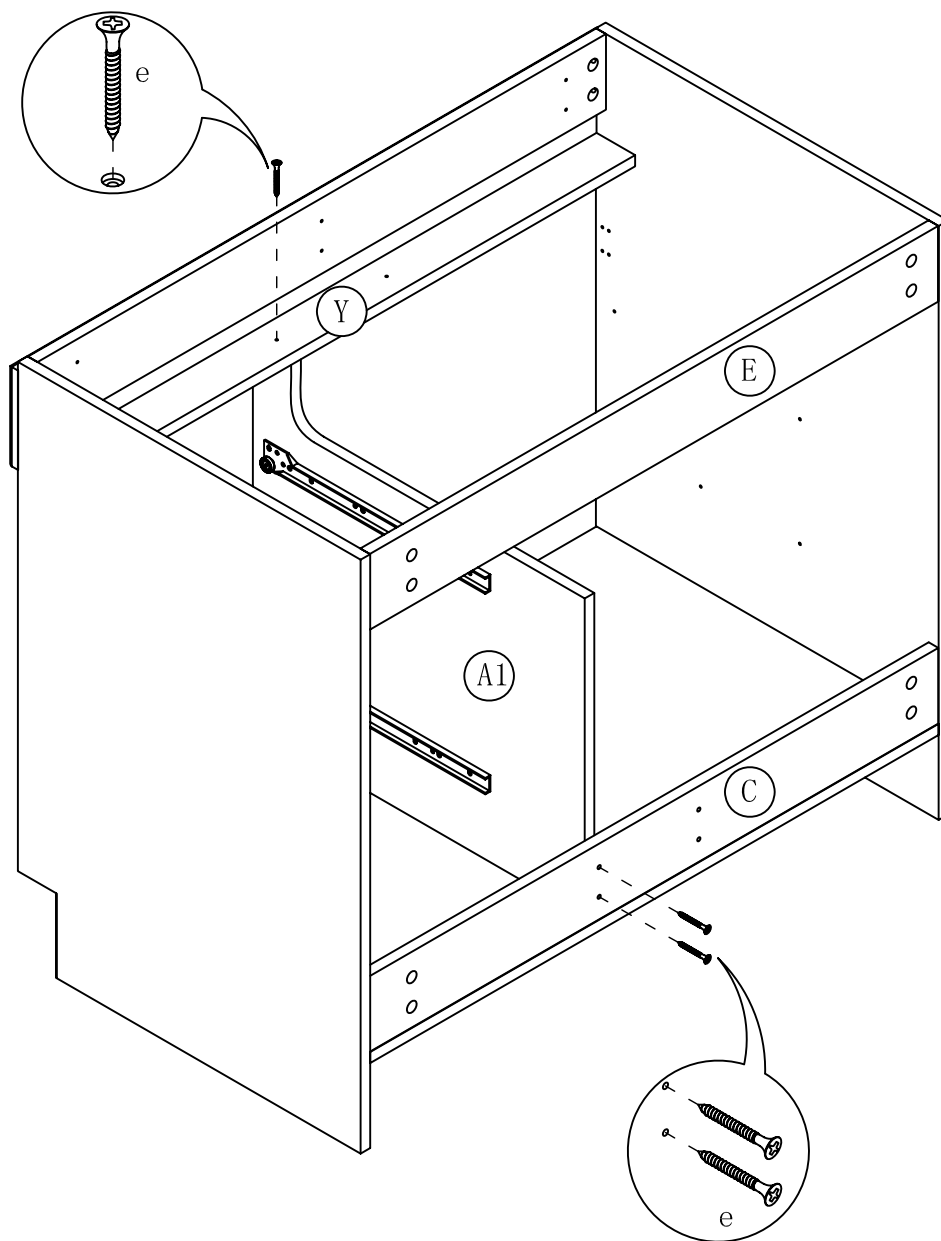


# STEP 3

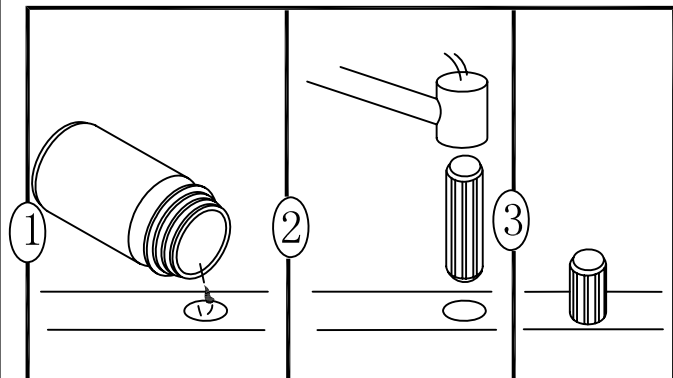
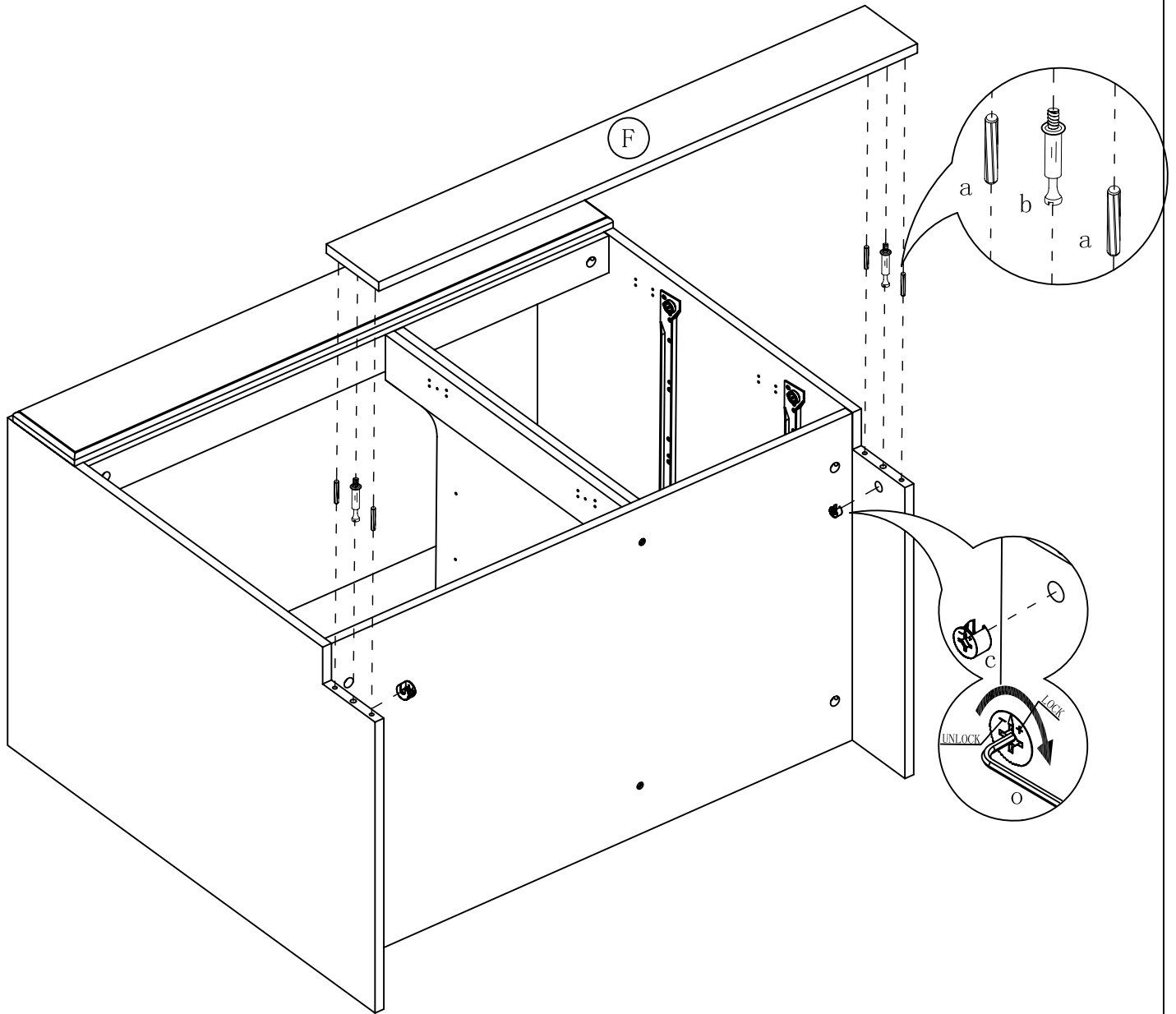




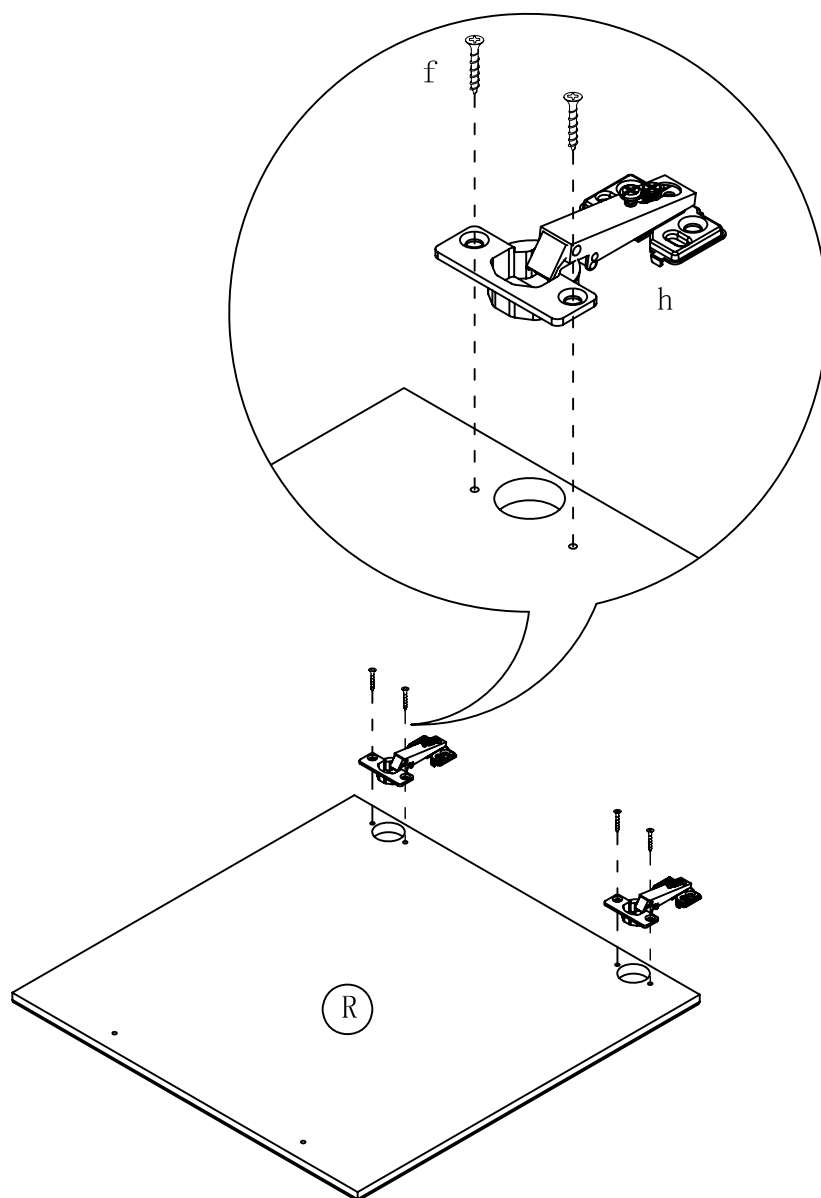
# STEP 4



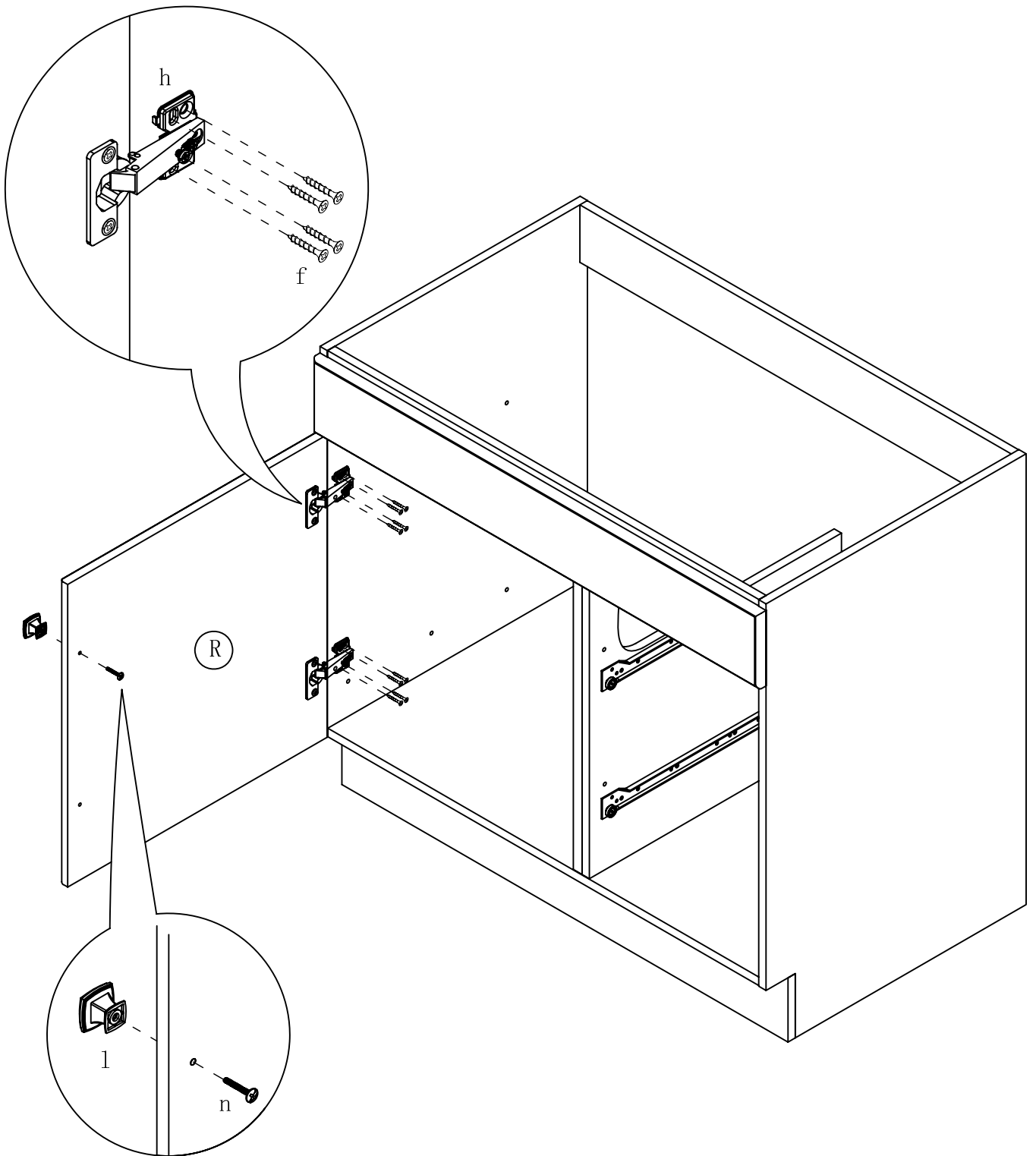
# STEP 5



# STEP 6



# STEP 7

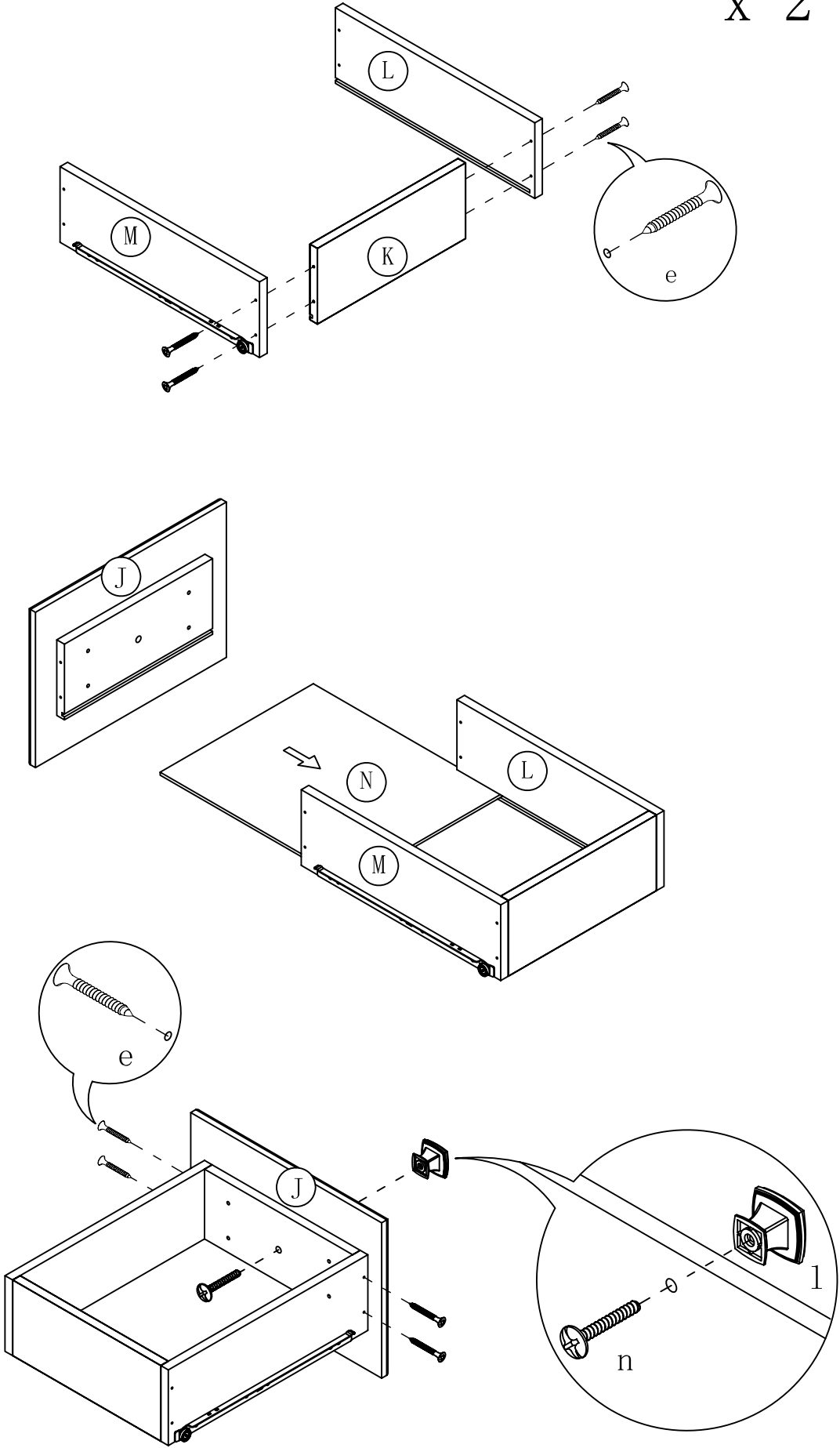


PLEASE FOLLOW STEP 7 IF  
YOU WOULD LIKE THE  
DOOR OPEN FROM THE  
LEFT

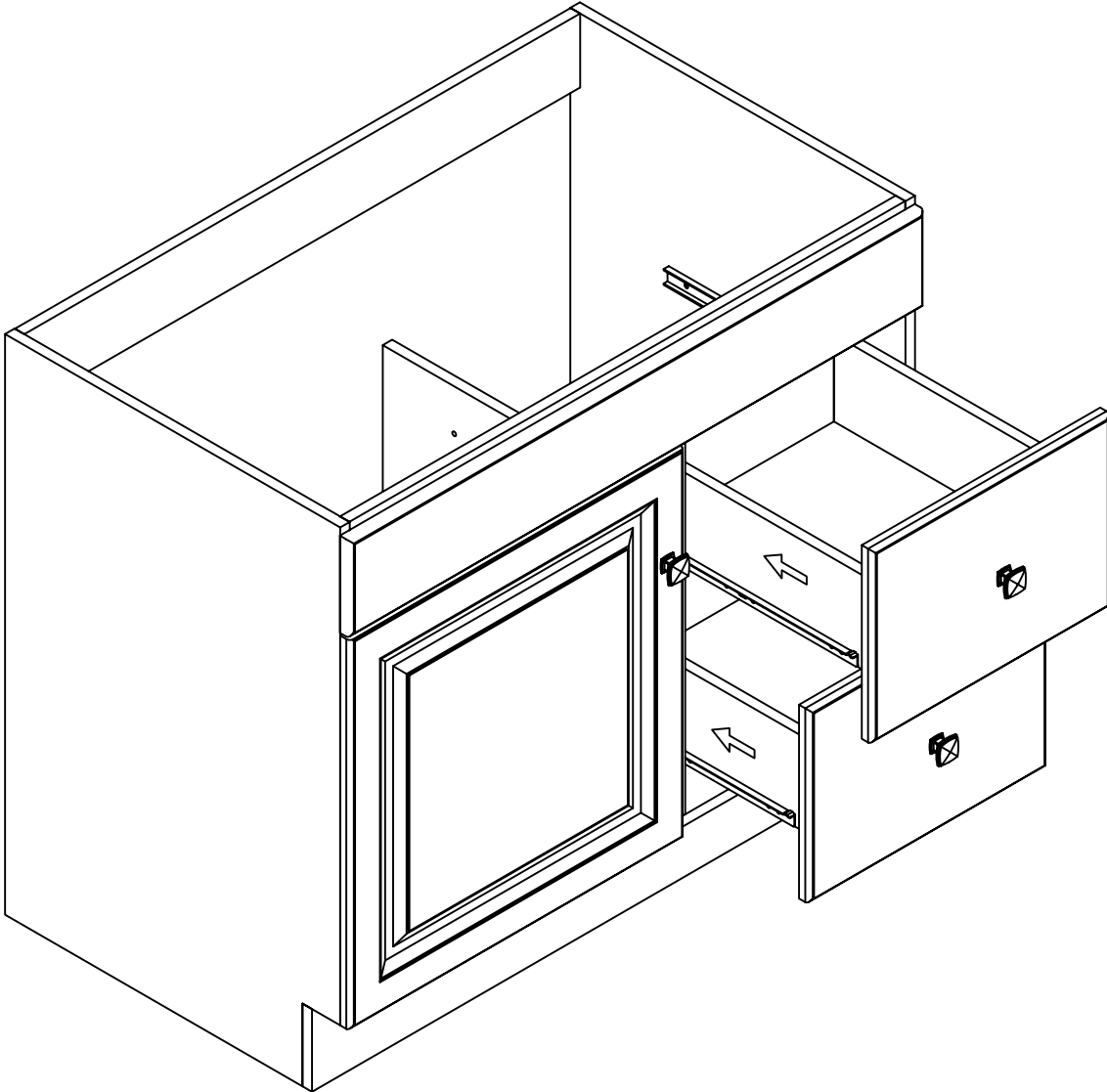


STEP 9

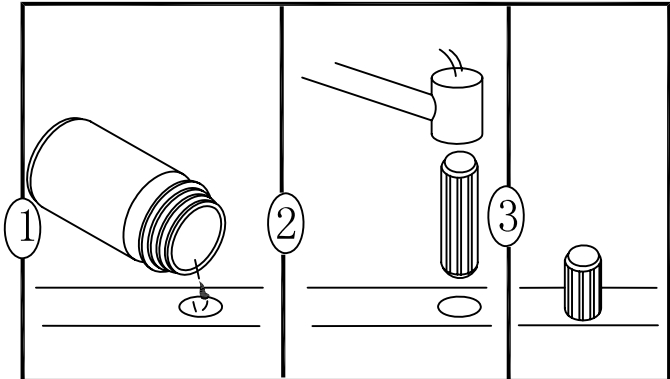
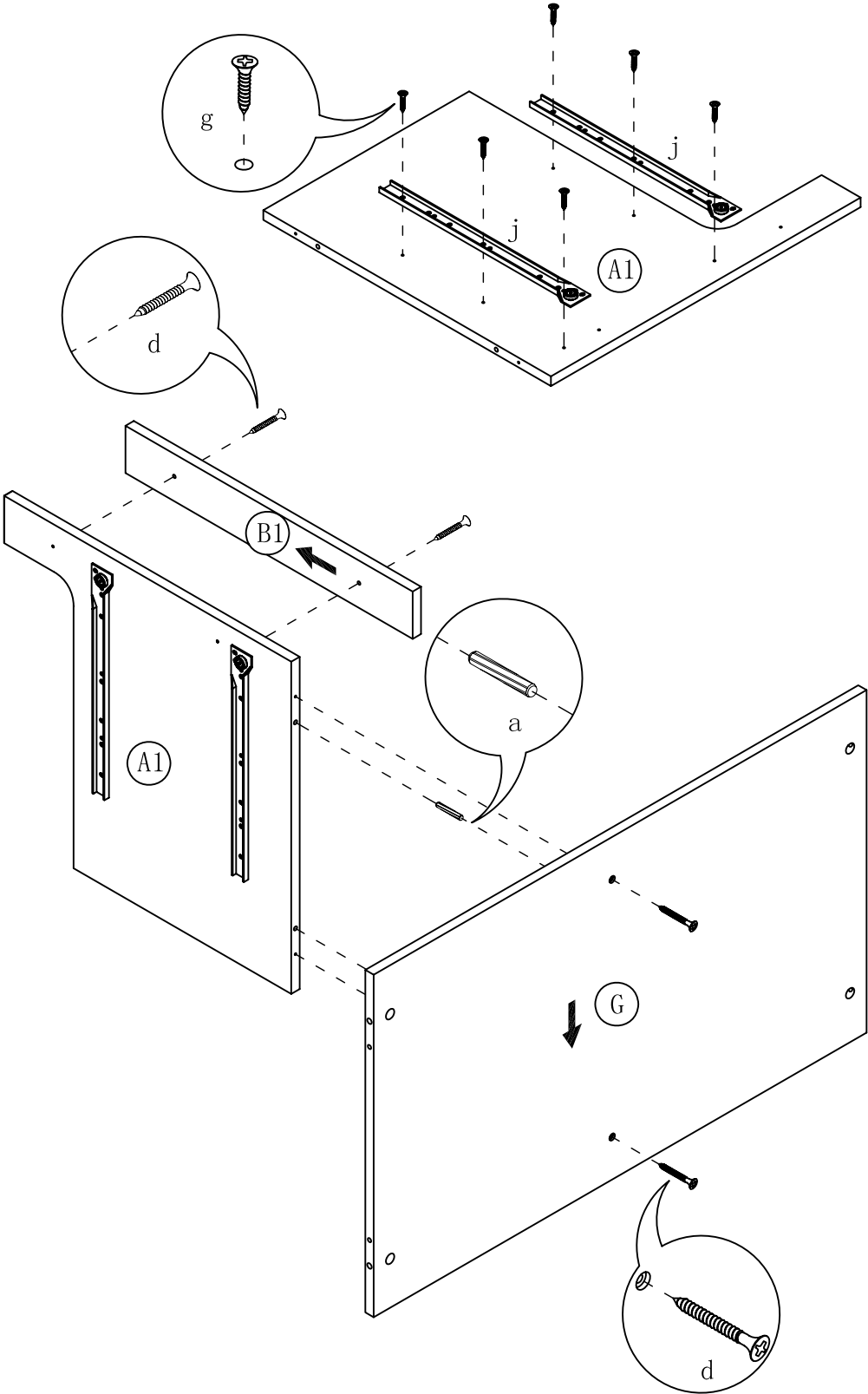
x 2



STEP 10

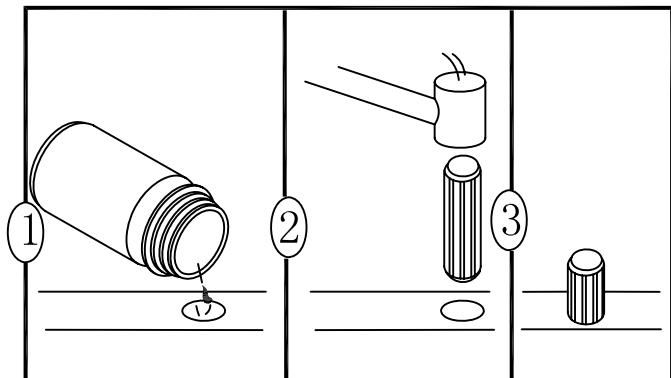
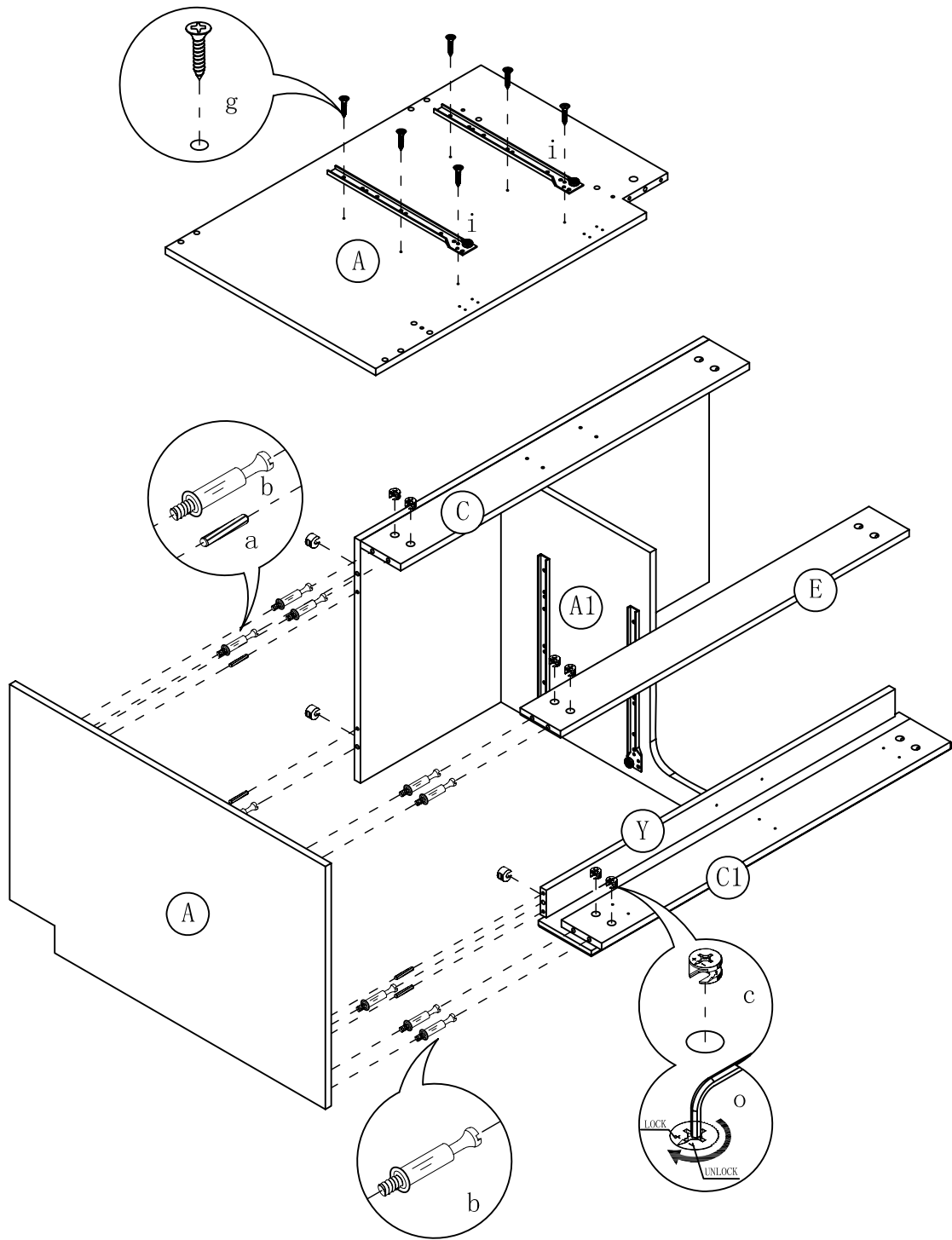


STEP 11

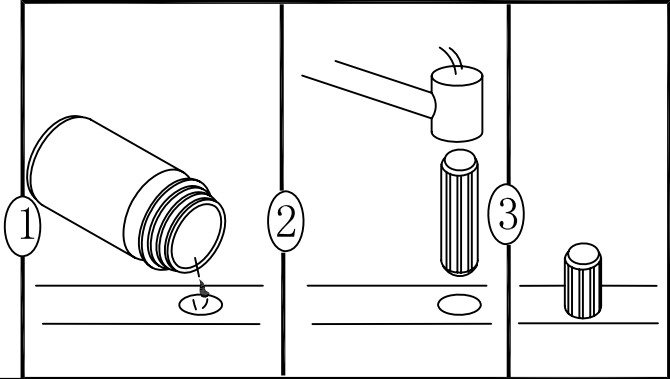
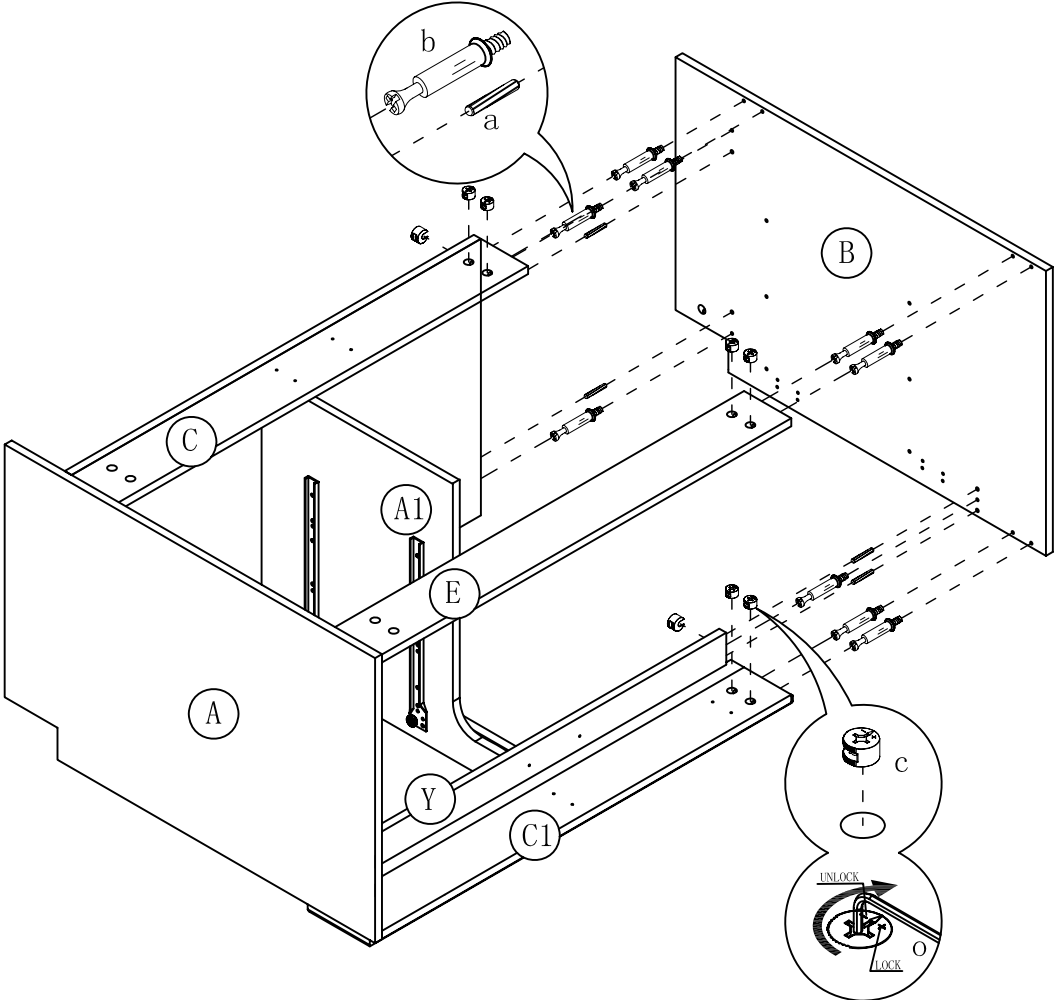




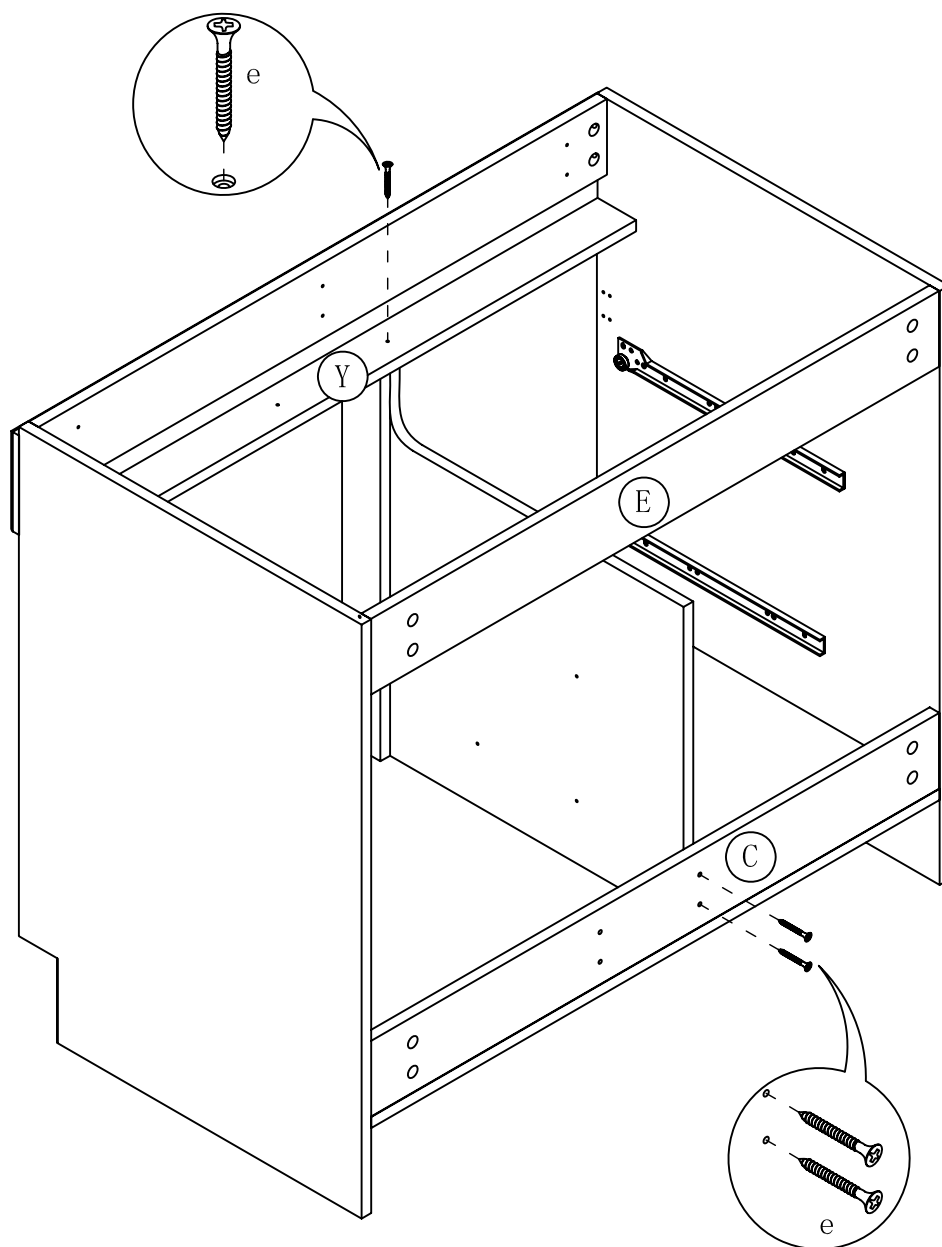
# STEP 12



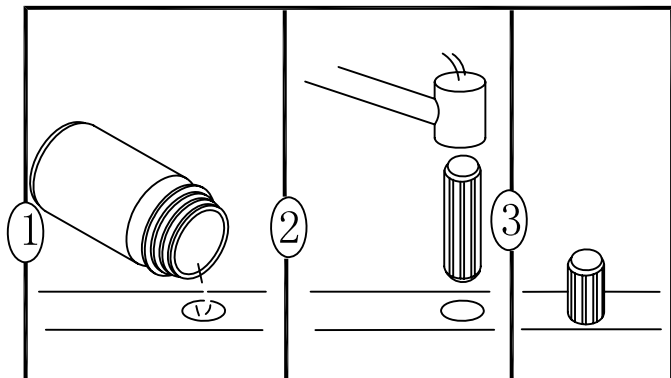
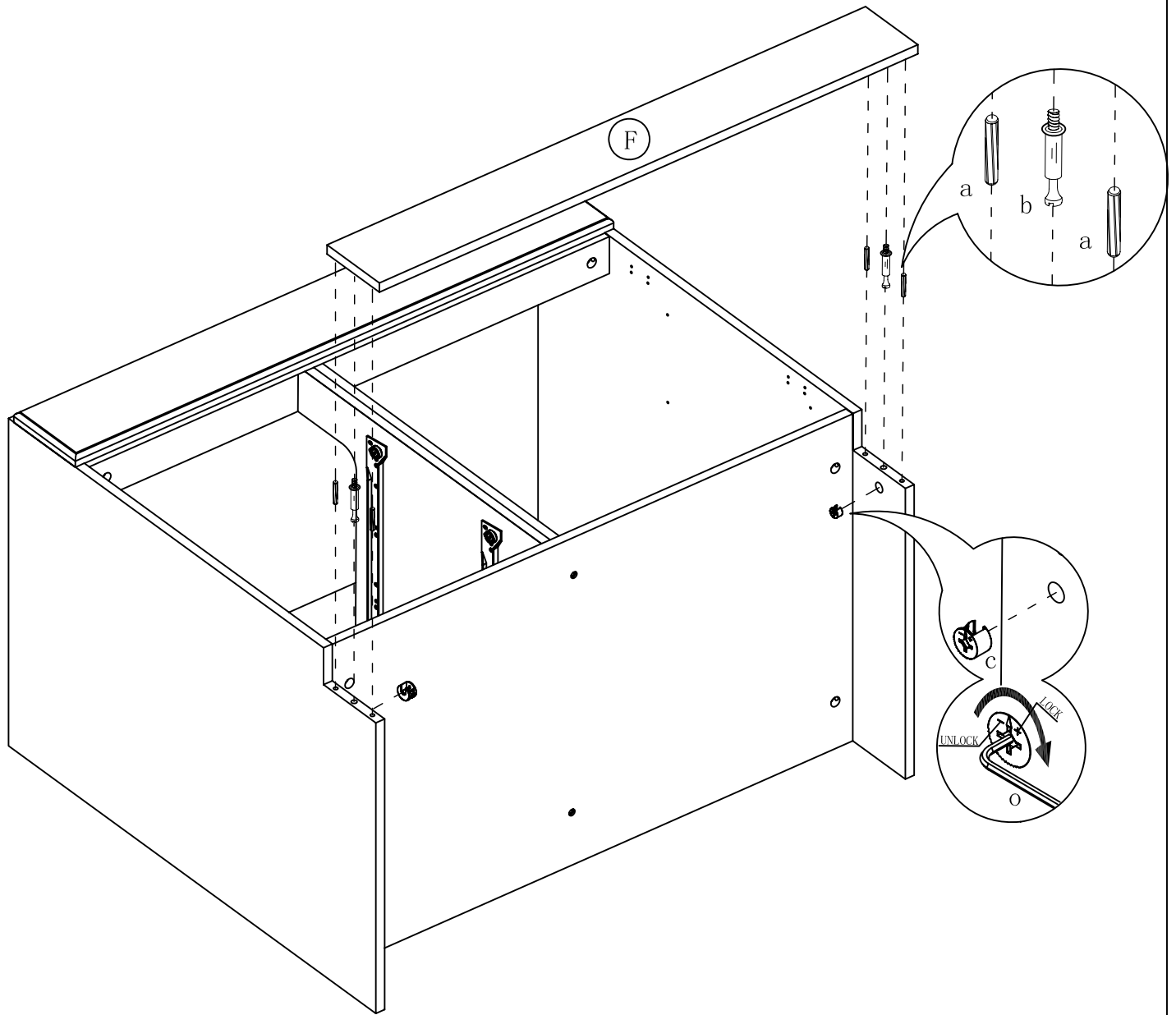
# STEP 13



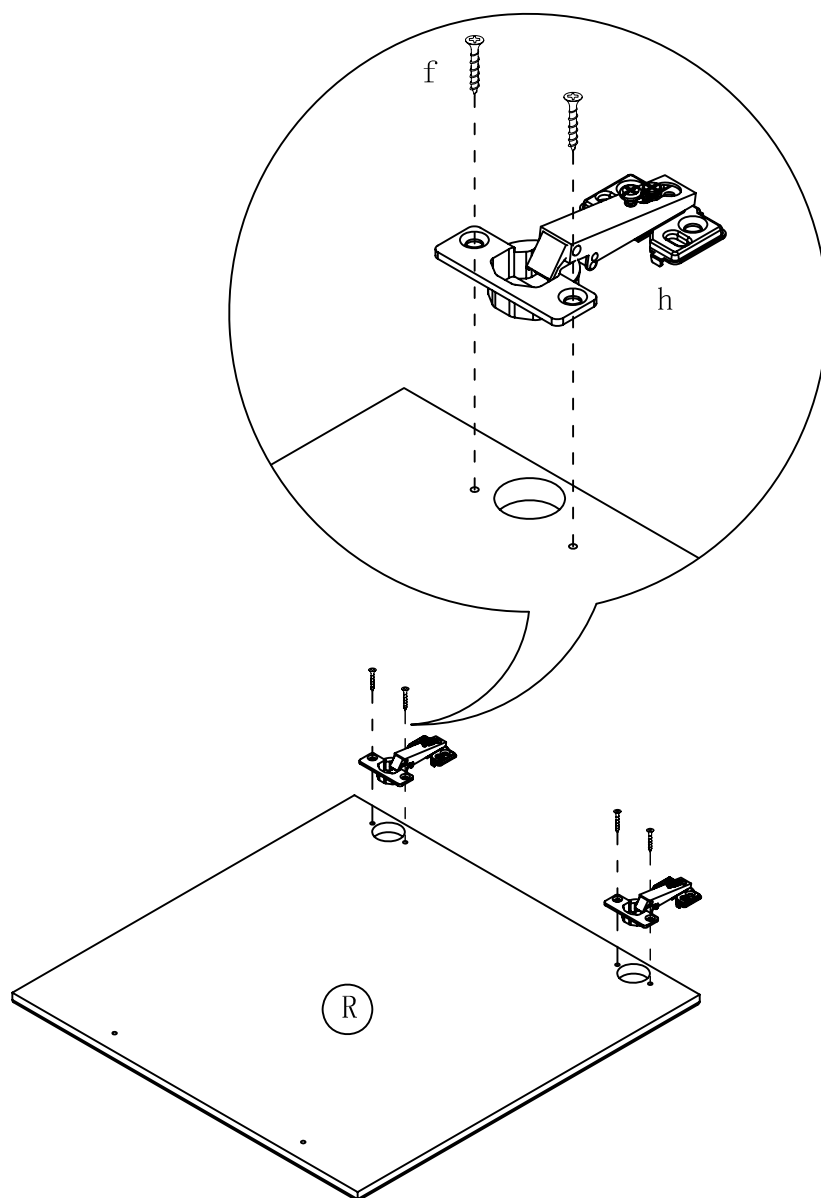
# STEP 14



# STEP 15



# STEP 16











STEP 20

