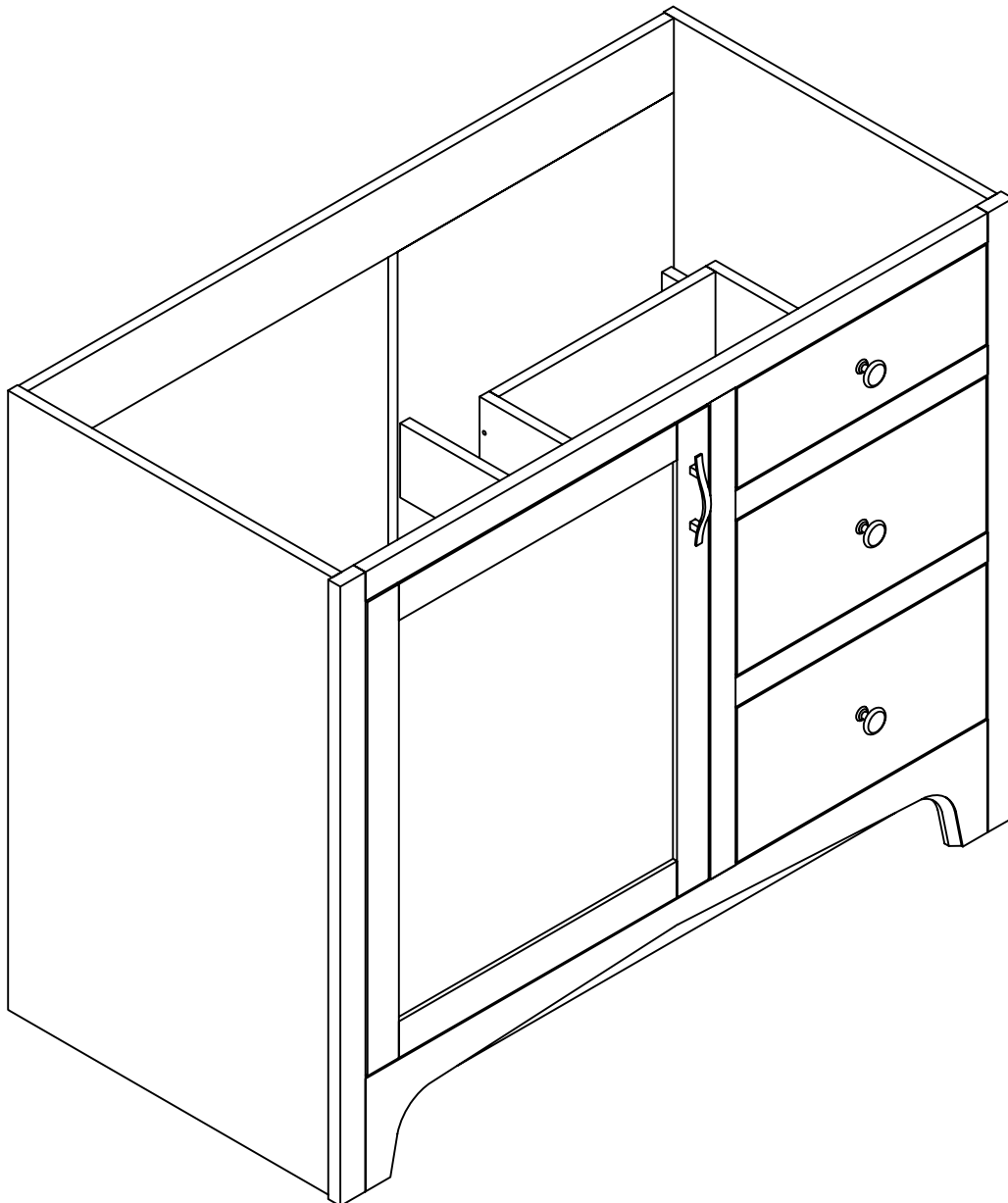




www.todaysdesignhouse.com

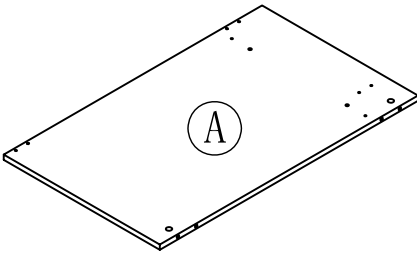


541821

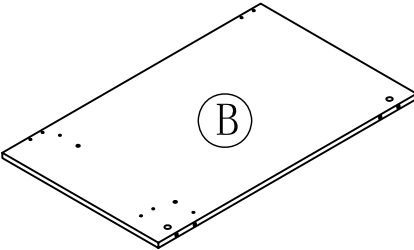
ASSEMBLY INSTRUCTIONS

DHI Corp. • 5205 W. Donges Bay Rd. • Mequon, WI 53092 • 800.558.8700

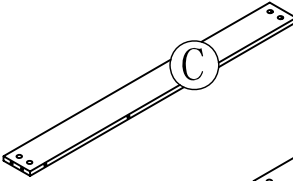
PARTS LIST:



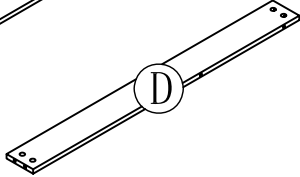
LEFT SIDE
PANEL 1PC



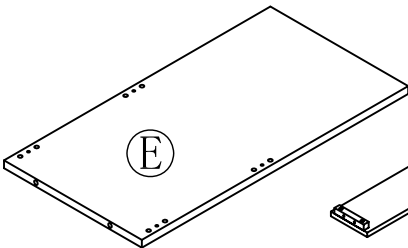
RIGHT SIDE
PANEL 1PC



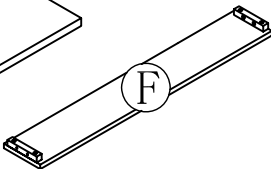
BACK UP CROSS
BRACE 1PC



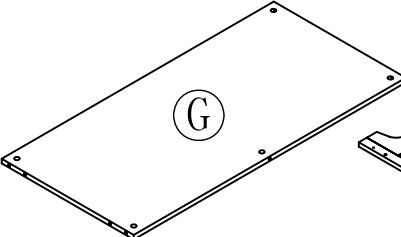
BACK DOWN CROSS
BRACE 1PC



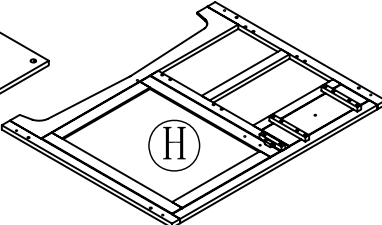
BACK PARTITION
PANEL 1PC



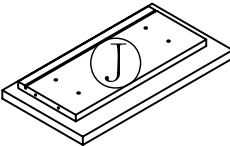
TOE KICK
PANEL 1PC



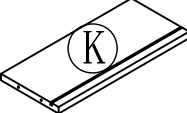
BOTTOM PANEL 1PC



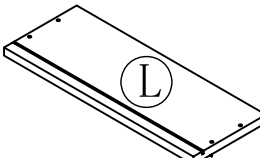
FRONT FRAME 1PC



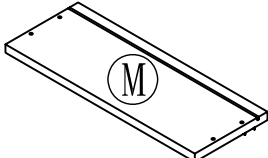
DRAWER FRONT
PANEL 2PCS



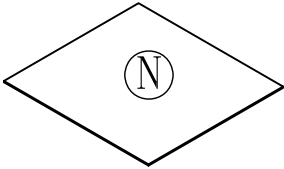
DRAWER BACK
PANEL 2PCS



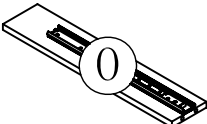
DRAWER LEFT SIDE
PANEL 2PCS



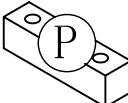
DRAWER RIGHT
SIDE PANEL 2PCS



DRAWER BOTTOM
PANEL 2PCS



SUPPORT
PANEL 4PCS

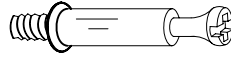


STOPPER 1PC

HARDWARE LIST:



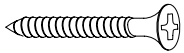
a. WOOD DOWEL 28PCS



b. CAM LOCK SCREW
17PCS



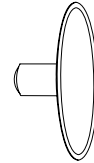
c. CAM LOCK 17PCS



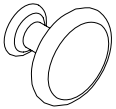
d. 1" L FLAT HEAD
SCREW 10PCS



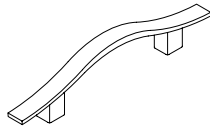
e. 1-1/2" L FLAT HEAD
SCREW 16PCS



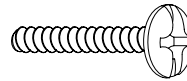
f. PLASTIC COVER
17PCS



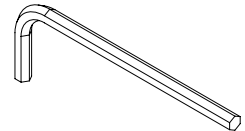
g. KNOB 3PCS



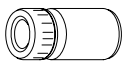
h. HANDLE 1PC



i. HANDLE (KNOB)
BOLT 5PCS

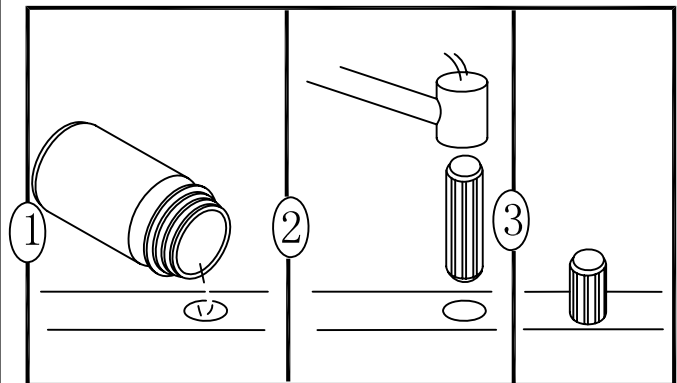
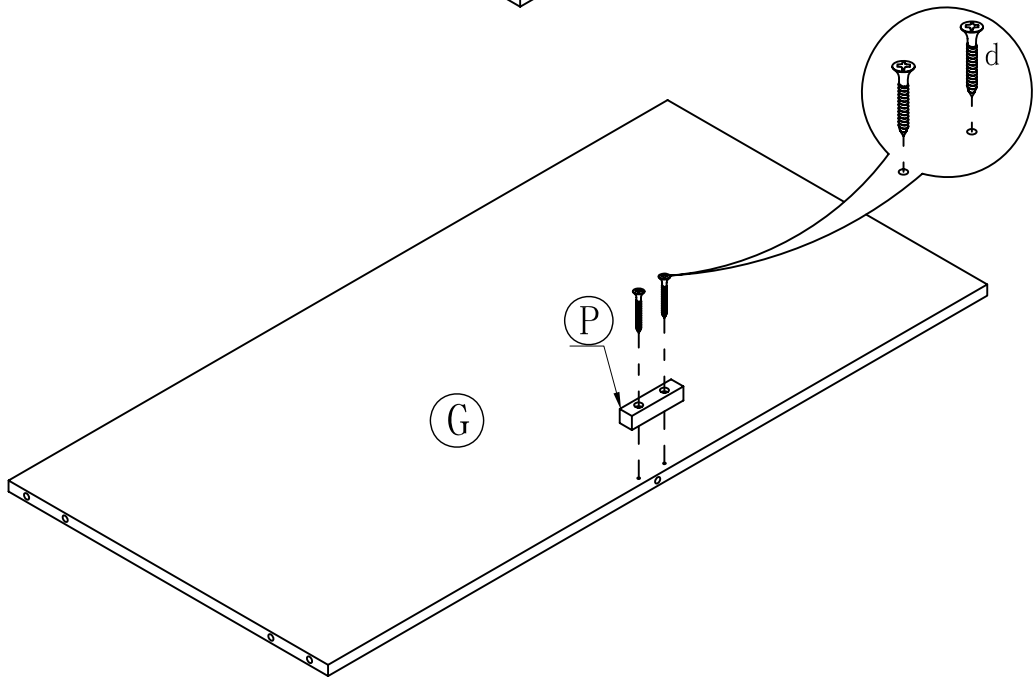
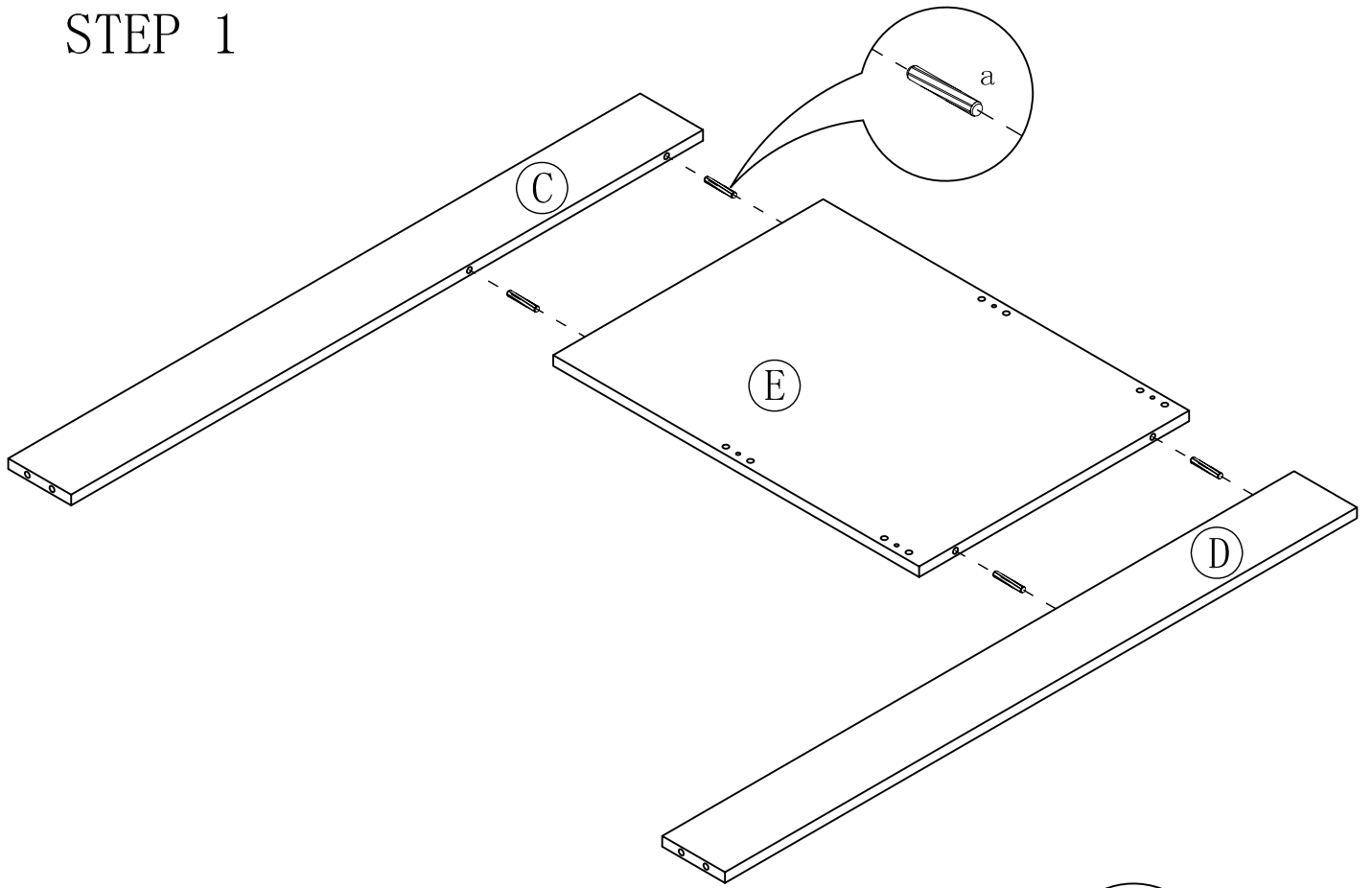


j. WRENCH 1PC

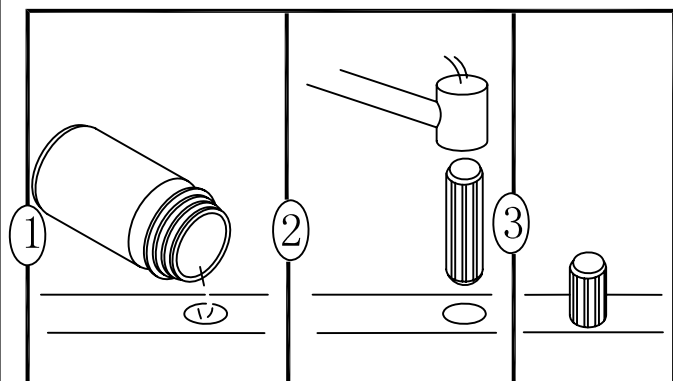
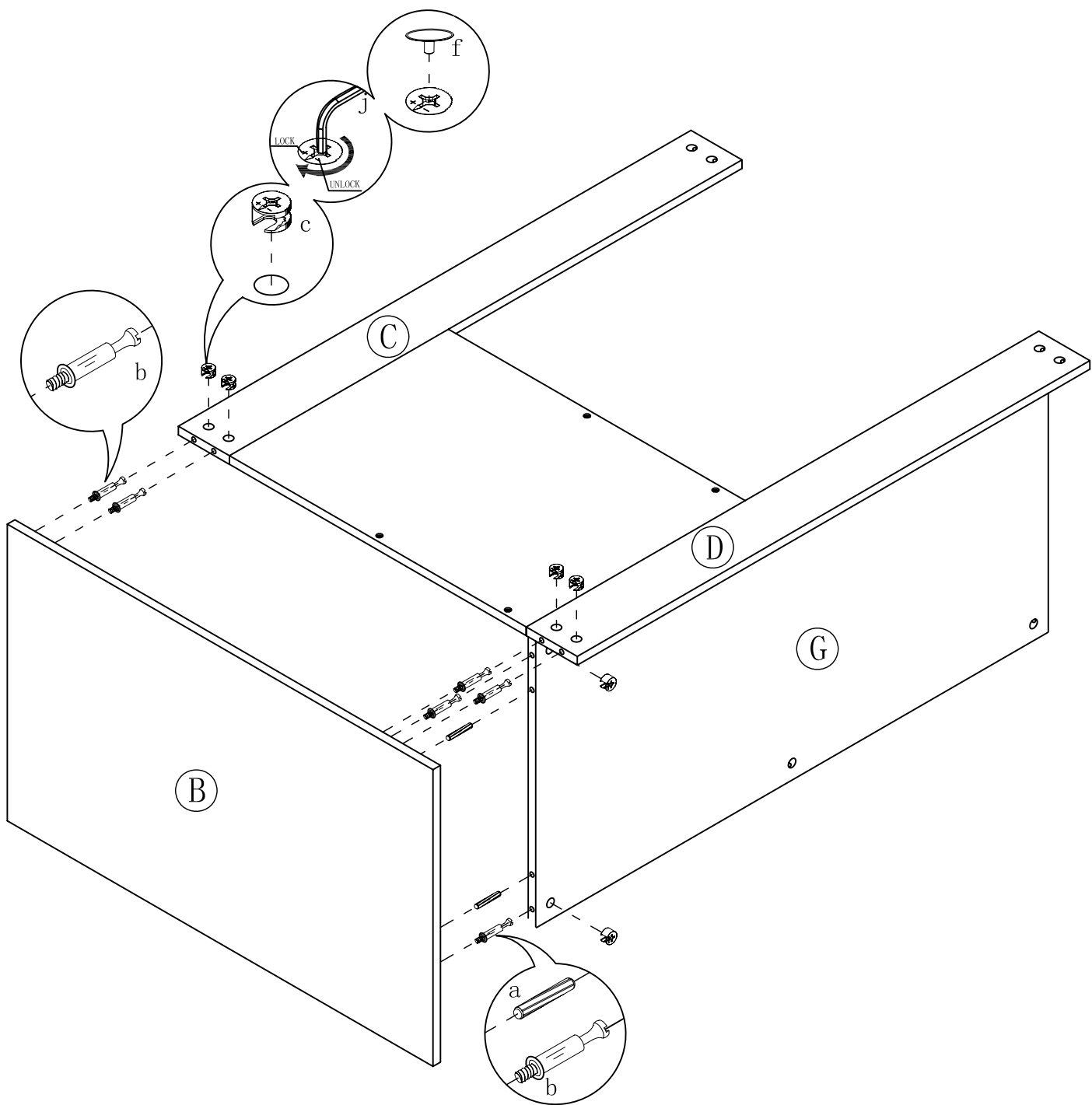


k. GLUE 1PC

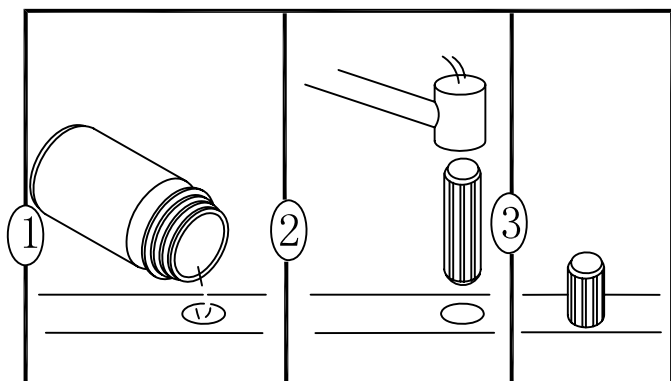
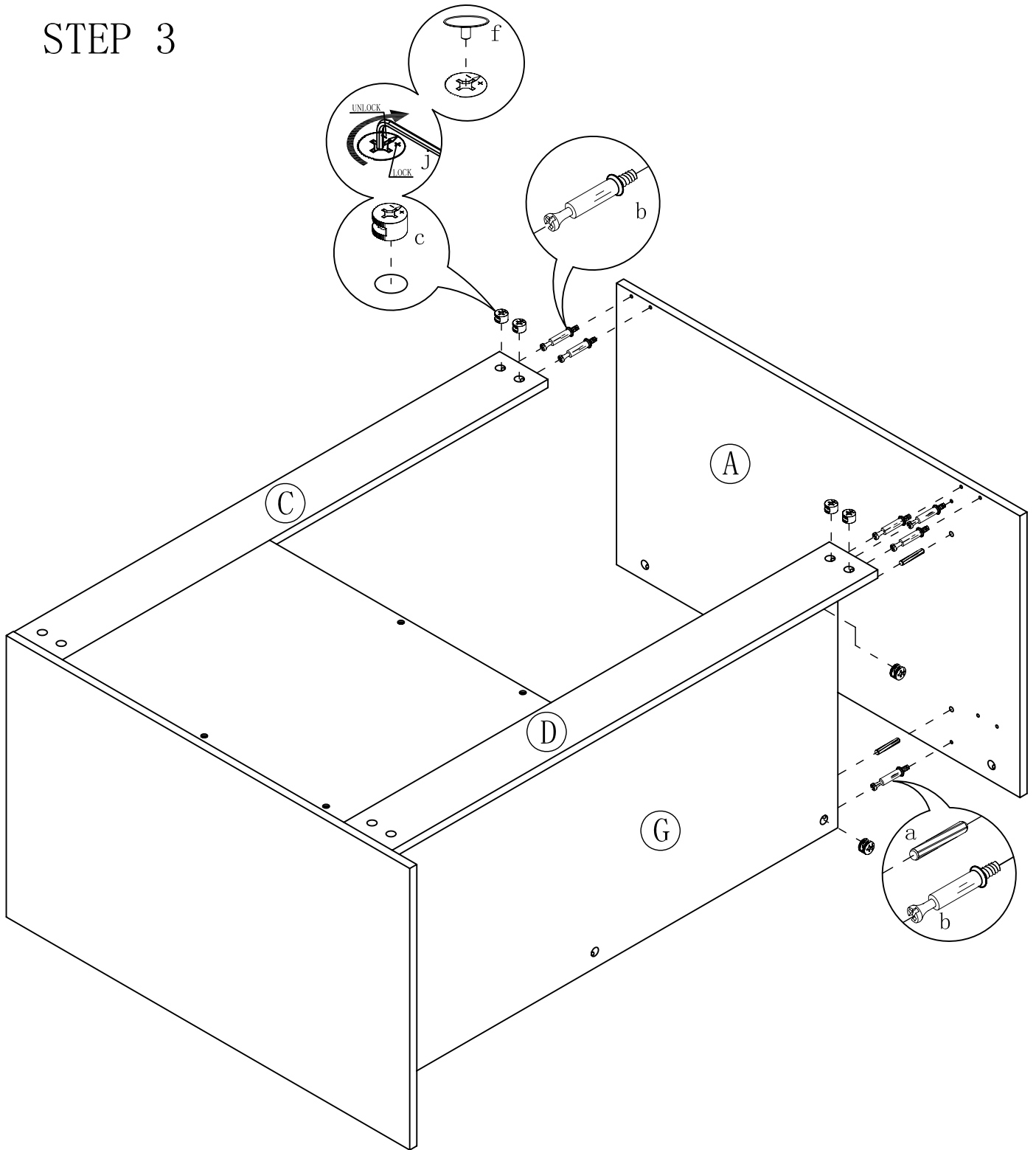
STEP 1



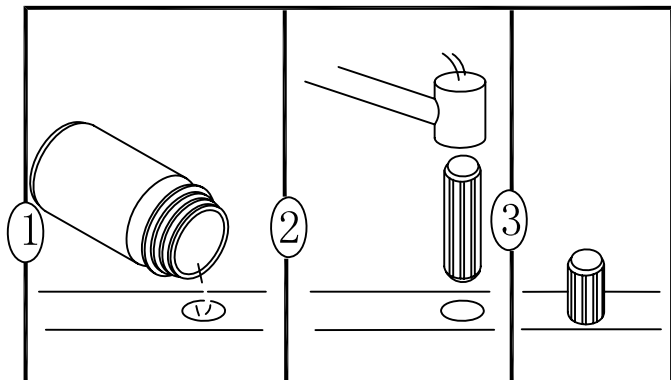
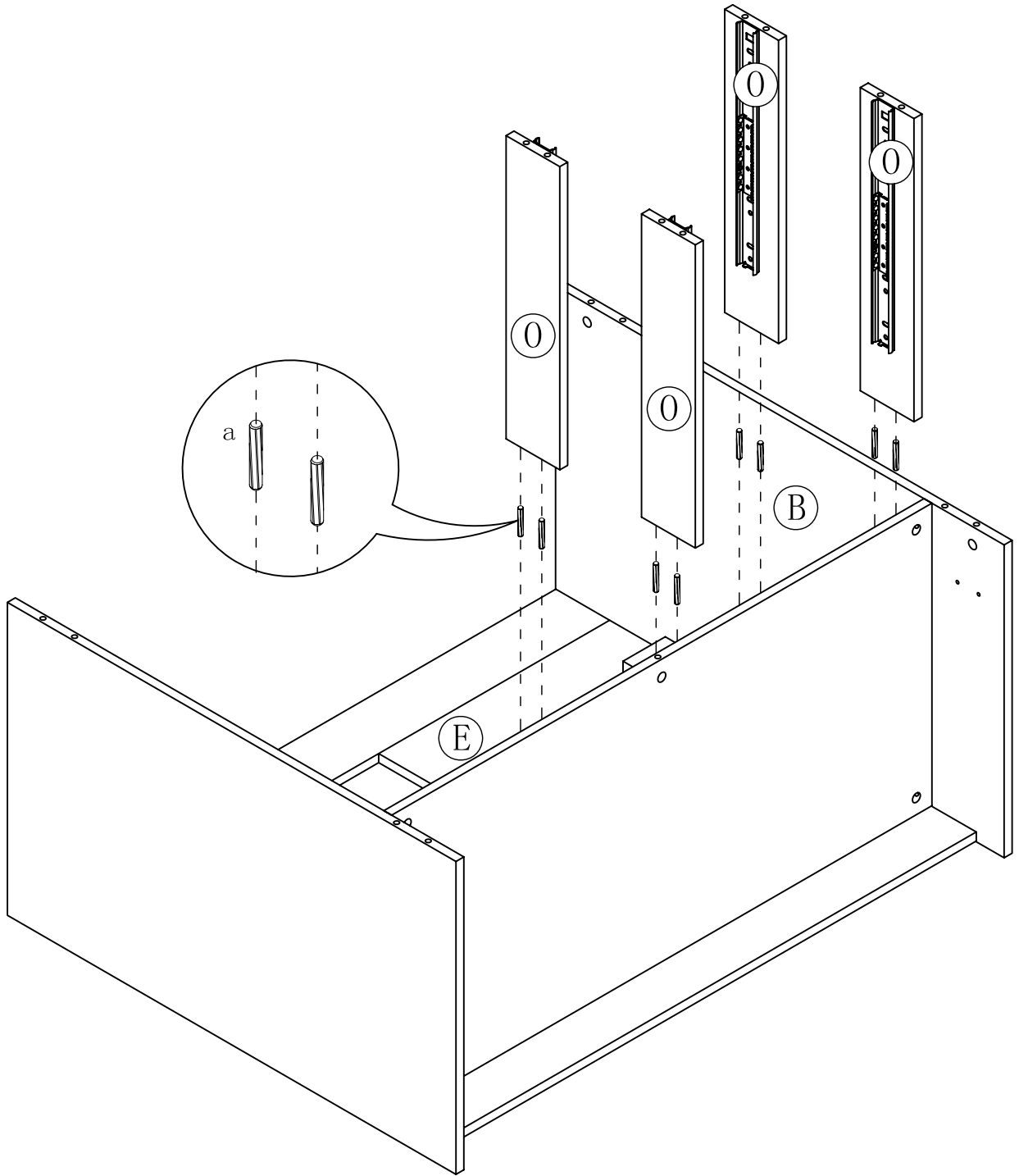
STEP 2



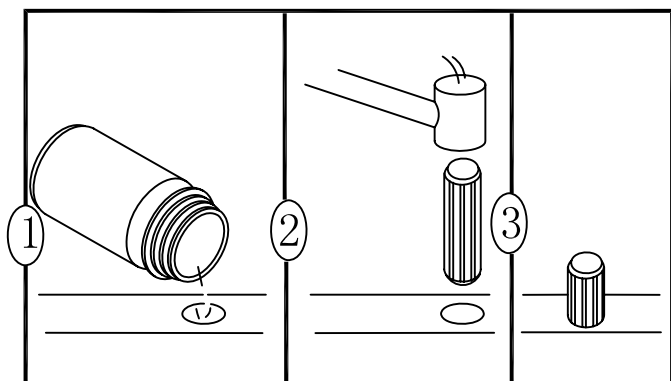
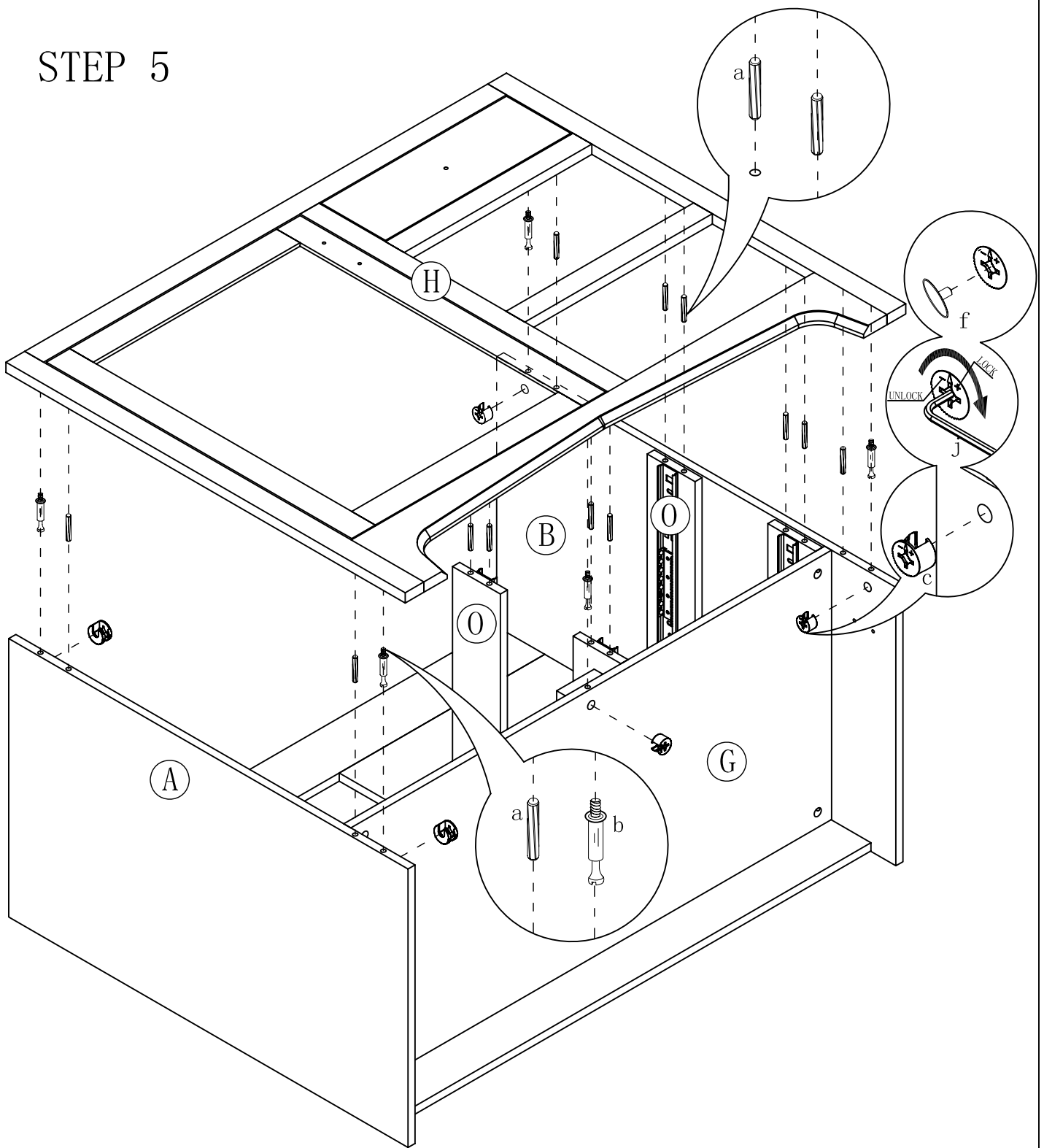
STEP 3



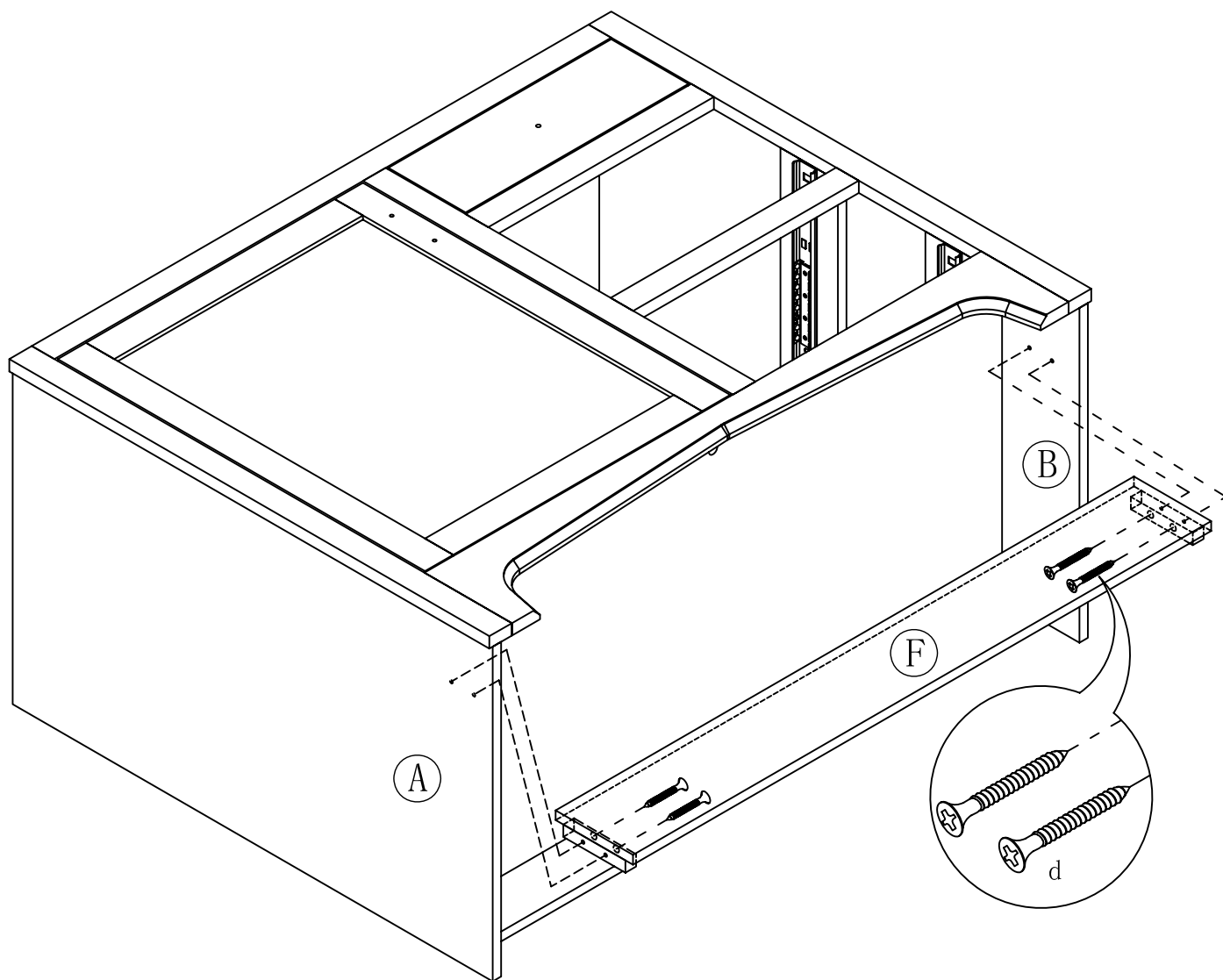
STEP 4



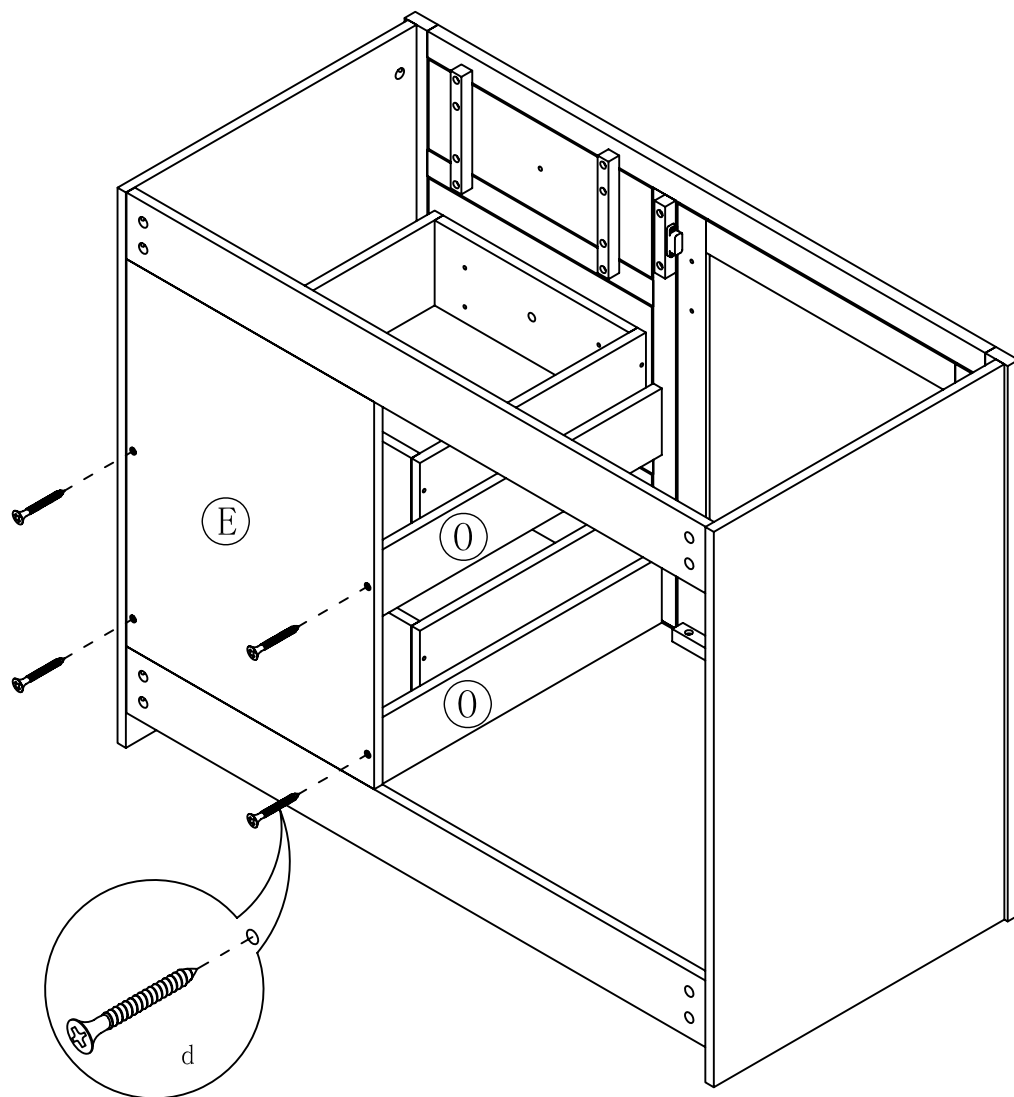
STEP 5



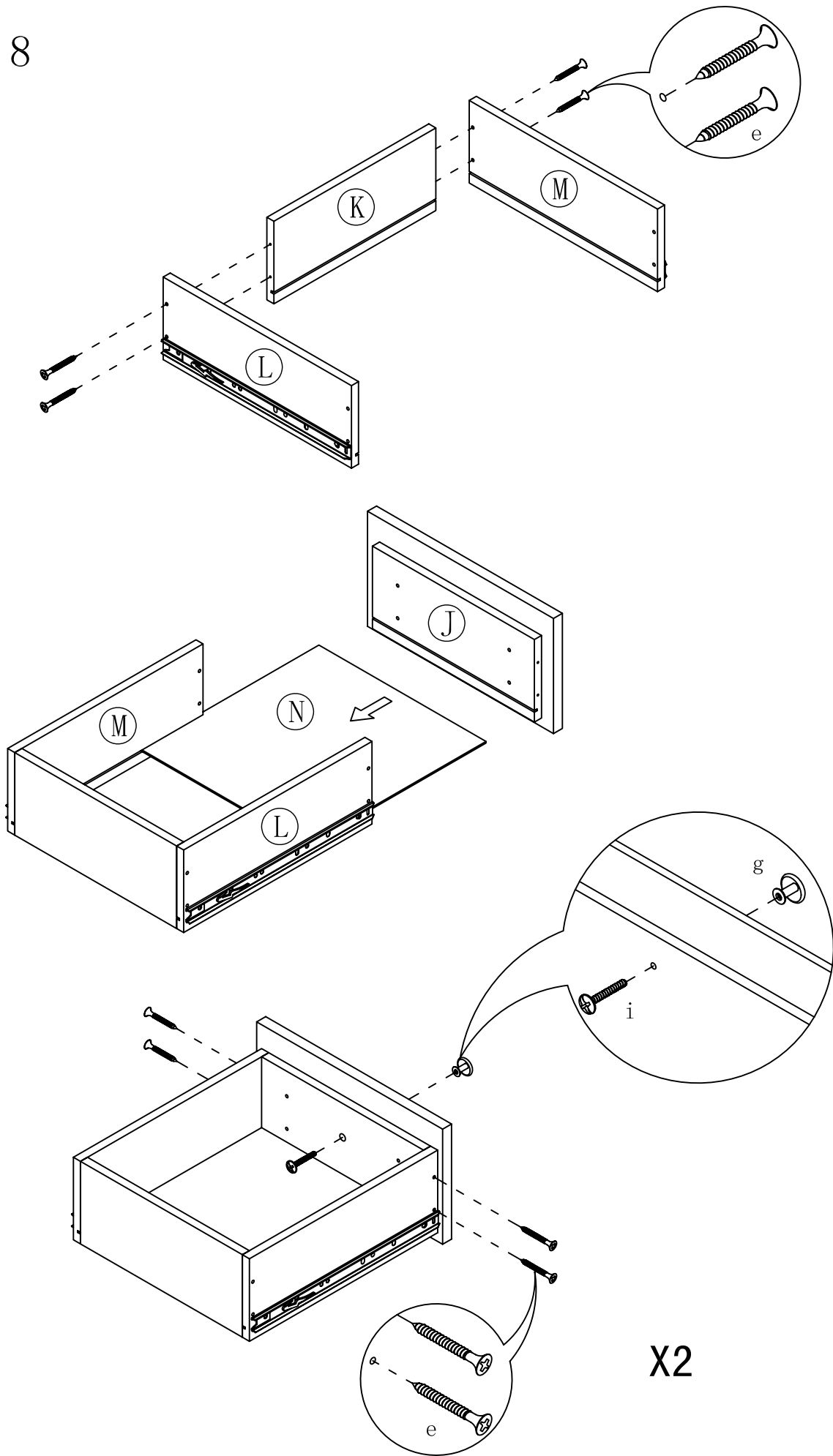
STEP 6



STEP 7



STEP 8



STEP 9

