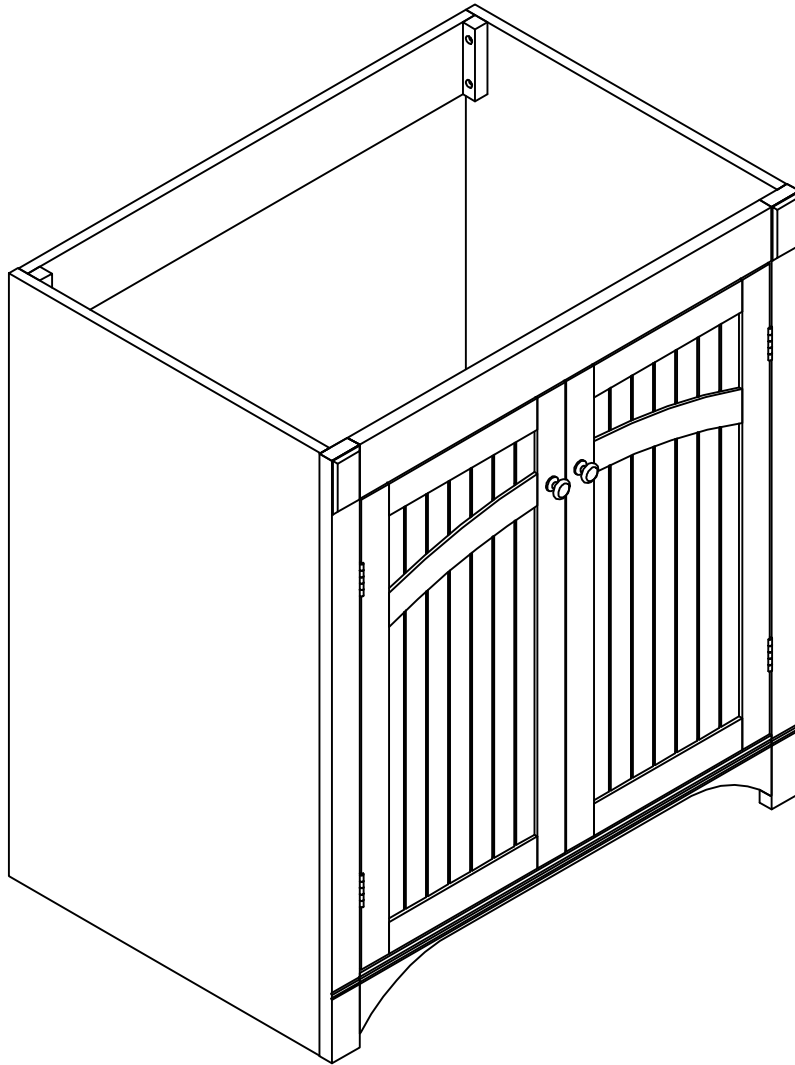




ADVANCED

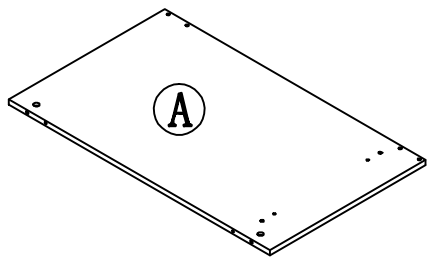
GLOBAL COMMERCE



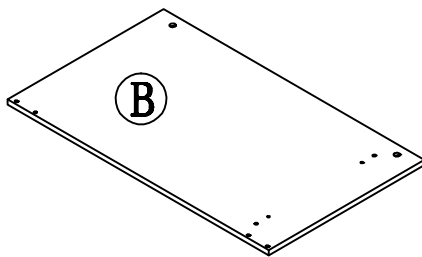
541565

ASSEMBLY INSTRUCTIONS

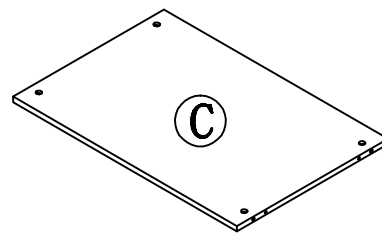
PARTS LIST:



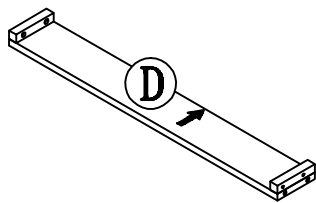
LEFT SIDE PANEL 1PC



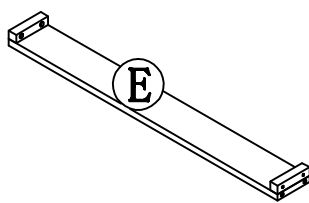
RIGHT SIDE PANEL 1PC



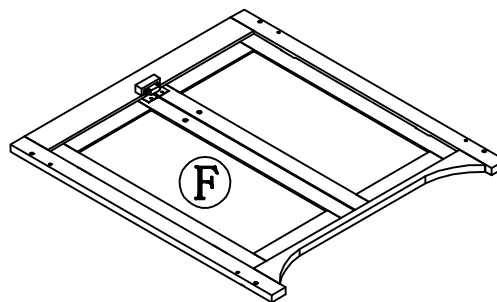
BOTTOM PANEL 1PC



BACK UP PANEL 1PC



BACK DOWN PANEL 1PC

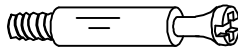


FRONT FRAME 1PC

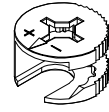
HARDWARE LIST:



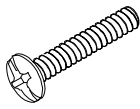
a. WOOD DOWEL 16PCS



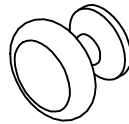
b. CAM LOCK SCREW 8PCS



c. CAM LOCK 8PCS



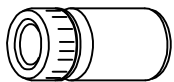
d. KNOB BOLT 2PCS



e. KNOB 2PCS



f. FLAT HEAD SCREW 8PCS

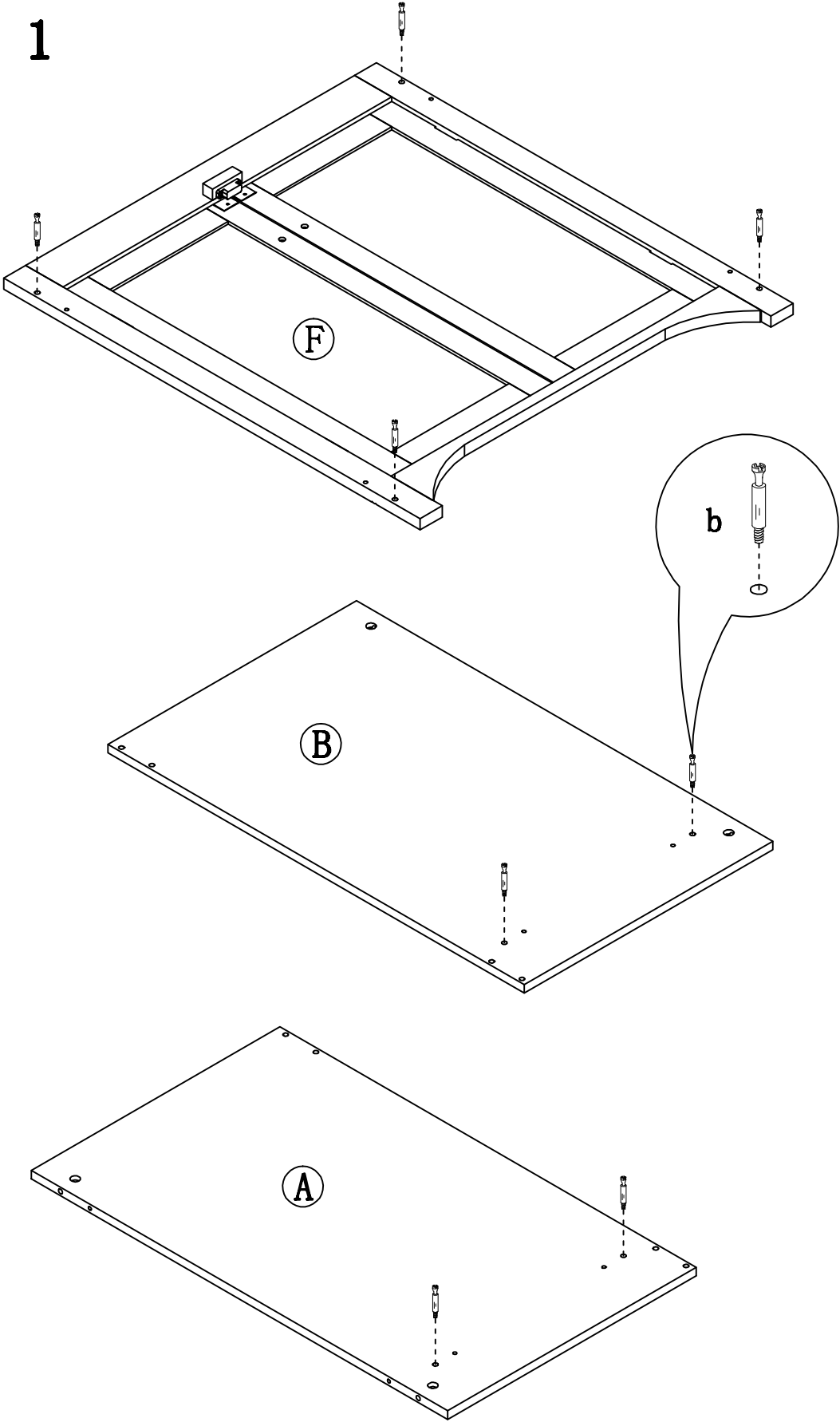


g. GLUE 1PC

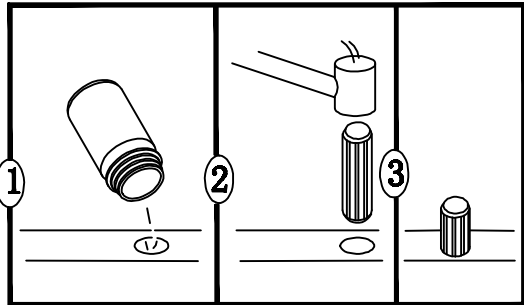
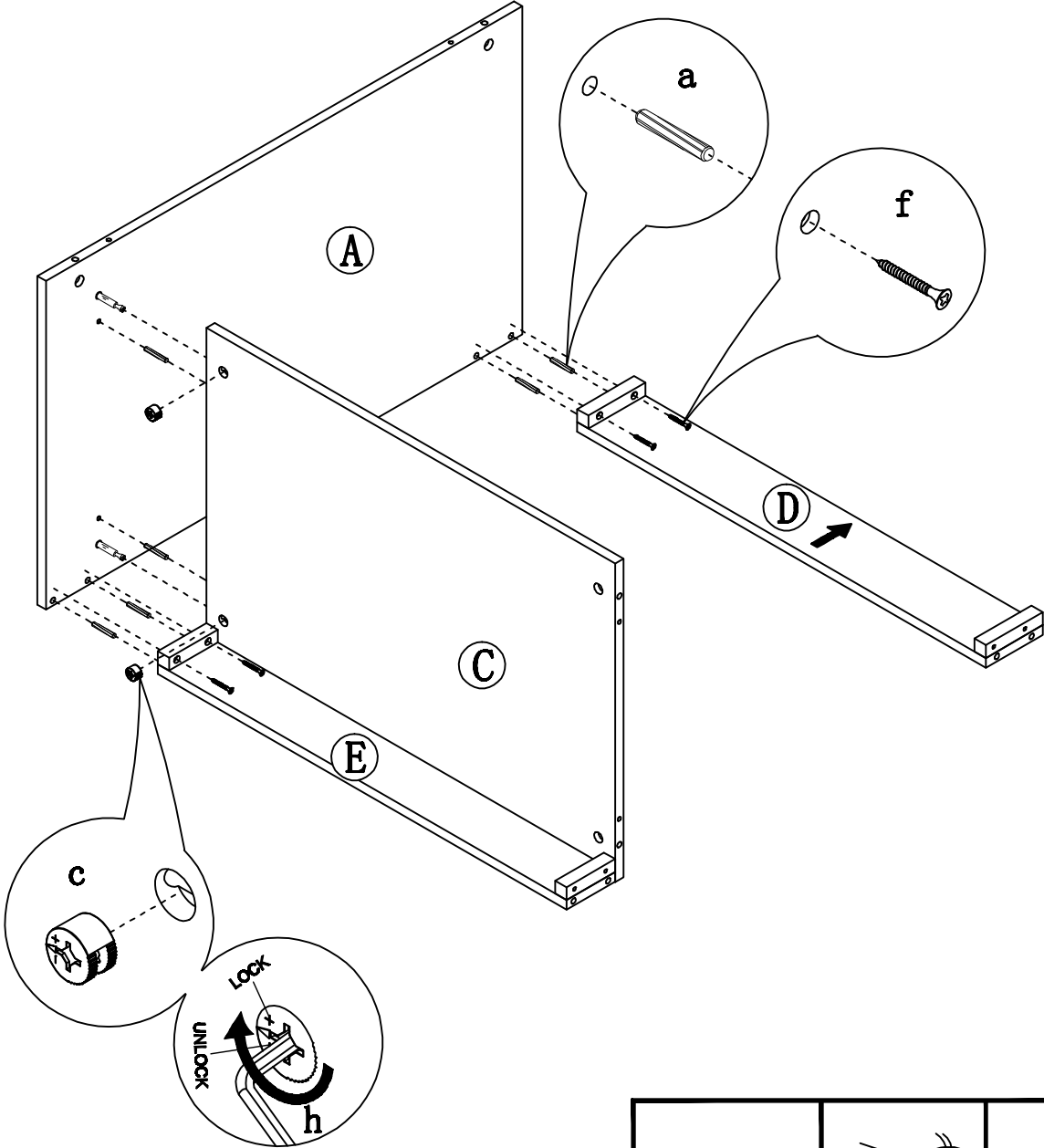


h. WRENCH 1PC

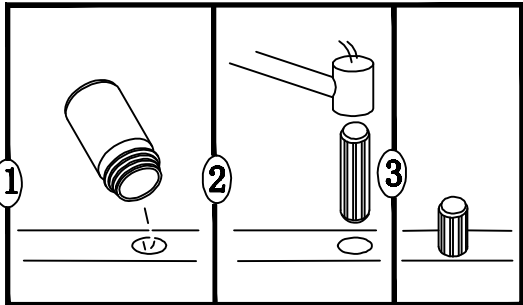
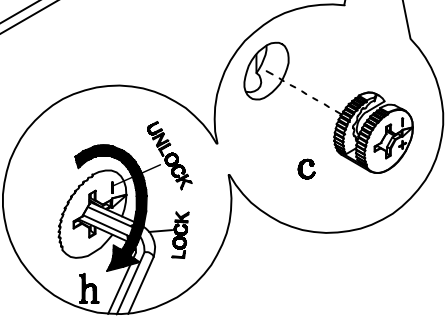
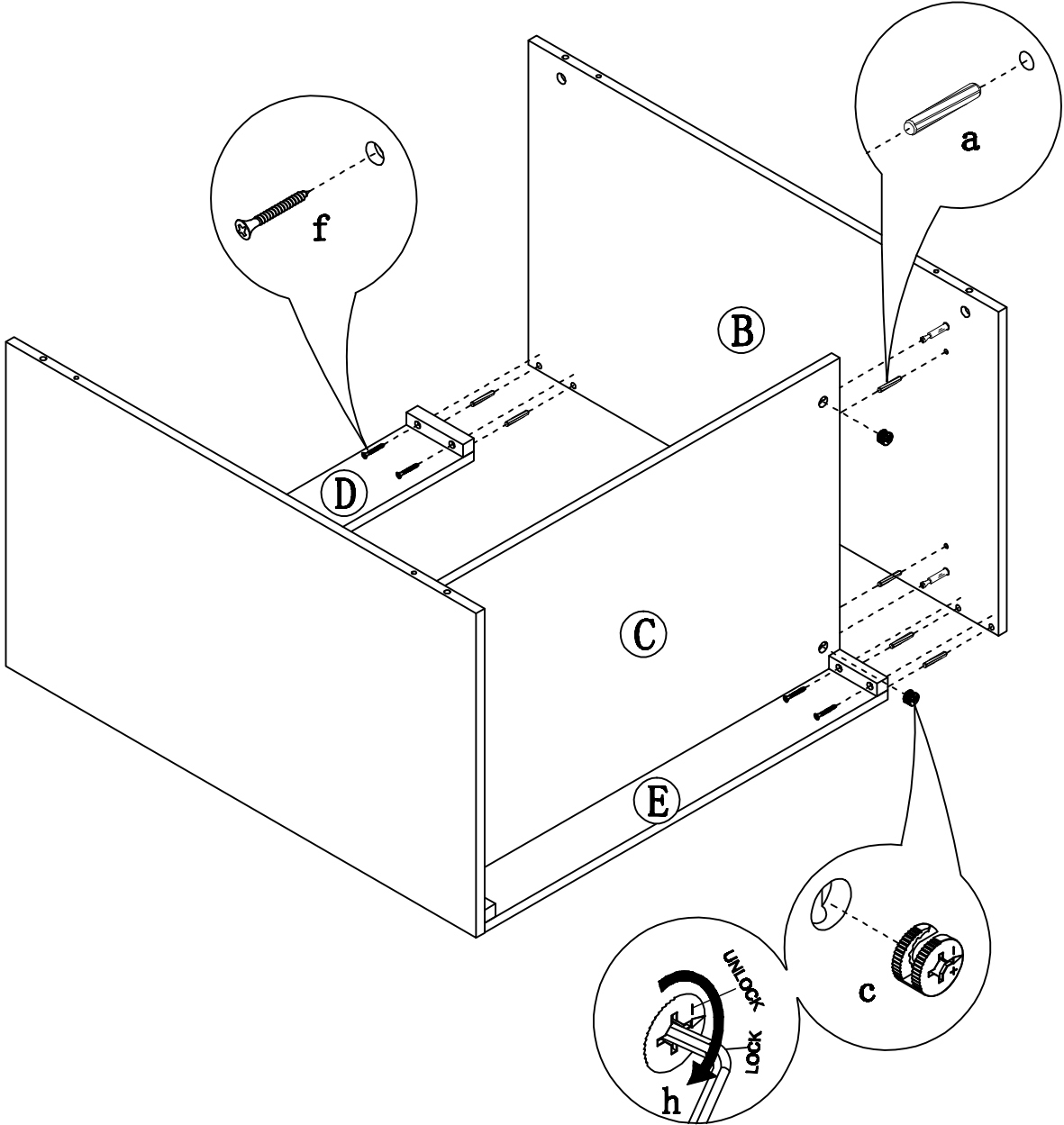
STEP 1



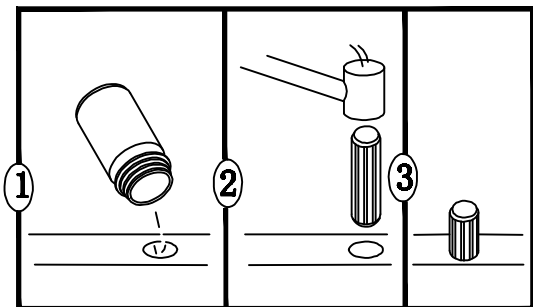
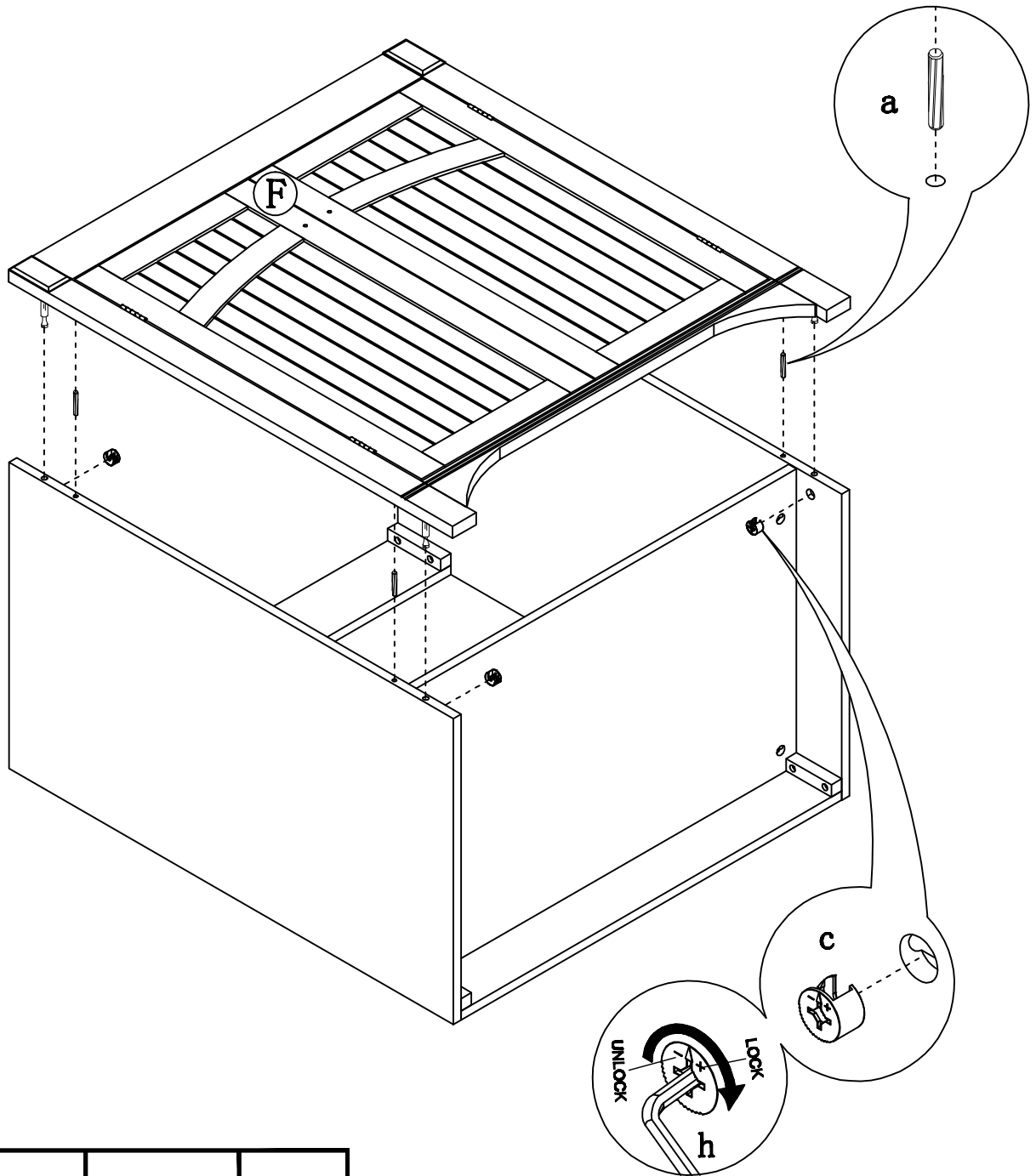
STEP 2



STEP 3



STEP 4



STEP 5

