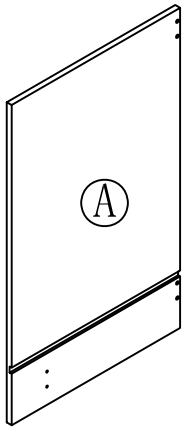


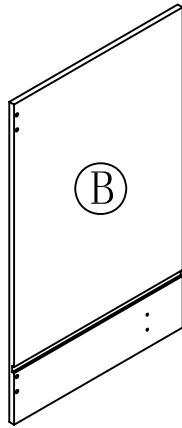
540658

# ASSEMBLY INSTRUCTIONS

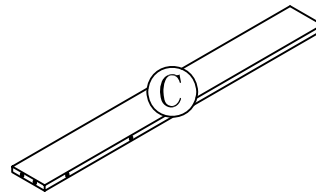
# PARTS LIST:



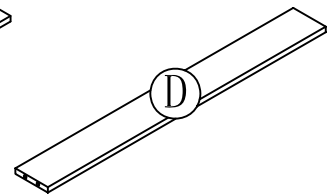
LEFT SIDE  
PANEL 1PC



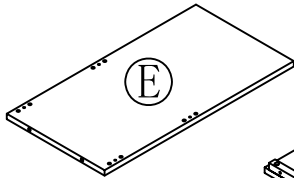
RIGHT SIDE  
PANEL 1PC



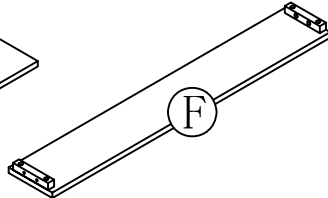
BACK UP CROSS  
BRACE 1PC



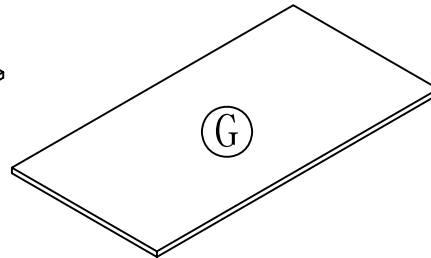
BACK DOWN CROSS  
BRACE 1PC



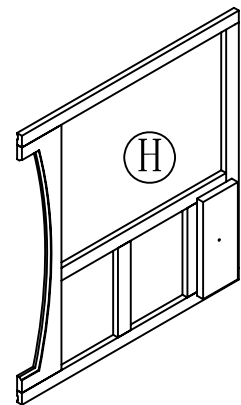
BACK PARTITION  
PANEL 1PC



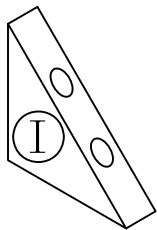
TOE KICK  
PANEL 1PC



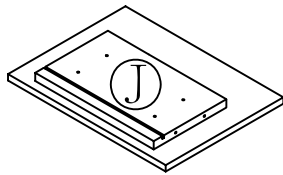
BOTTOM PANEL 1PC



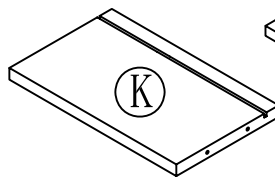
FRONT FRAME 1PC



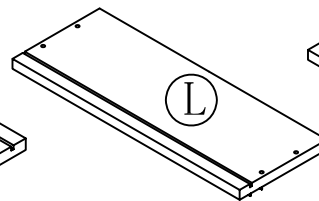
STRENGTH  
BLOCK 8PCS



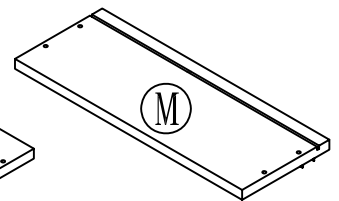
DRAWER FRONT  
PANEL 2PCS



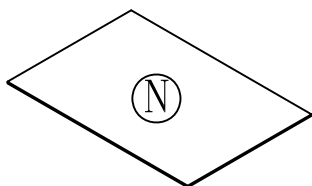
DRAWER BACK  
PANEL 2PCS



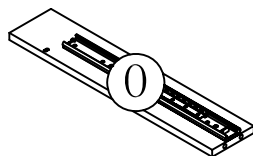
DRAWER LEFT SIDE  
PANEL 2PCS



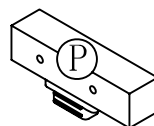
DRAWER RIGHT SIDE  
PANEL 2PCS



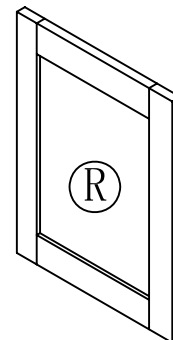
DRAWER BOTTOM  
PANEL 2PCS



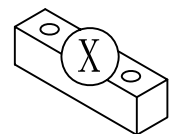
SUPPORT  
PANEL 4PCS



MAGNET 1PC



DOOR 1PC



STOPPER 1PC

# HARDWARE LIST:



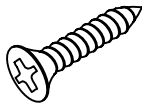
a. WOOD DOWEL 28PCS



d. 1" L FLAT HEAD SCREW 28PCS



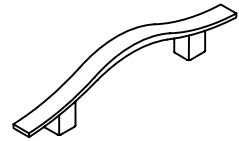
e. 1-1/2" L FLAT HEAD SCREW 16PCS



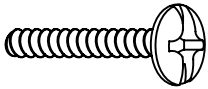
g. 1/2" L FLAT HEAD SCREW (FOR HINGE) 4PCS



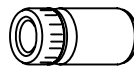
l. KNOB 3PCS



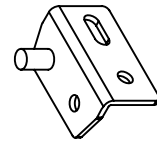
m. HANDLE 1PC



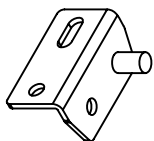
n. HANDLE (KNOB) BOLT 5PCS



p. GLUE 1PC



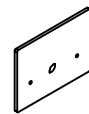
q. HINGE(1) 1PC



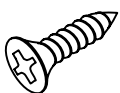
r. HINGE(2) 1PC



s. PLASTIC PLUG (FOR HINGE) 2PCS



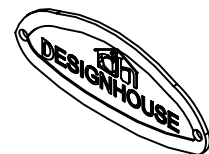
t. METAL PLATE 1PC



u. 3/8" L FLAT HEAD SCREW 1PC

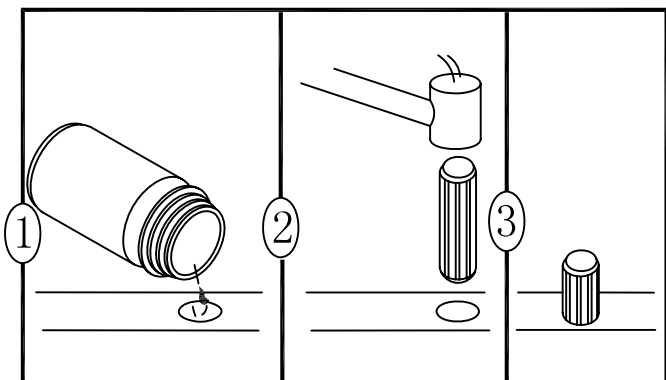
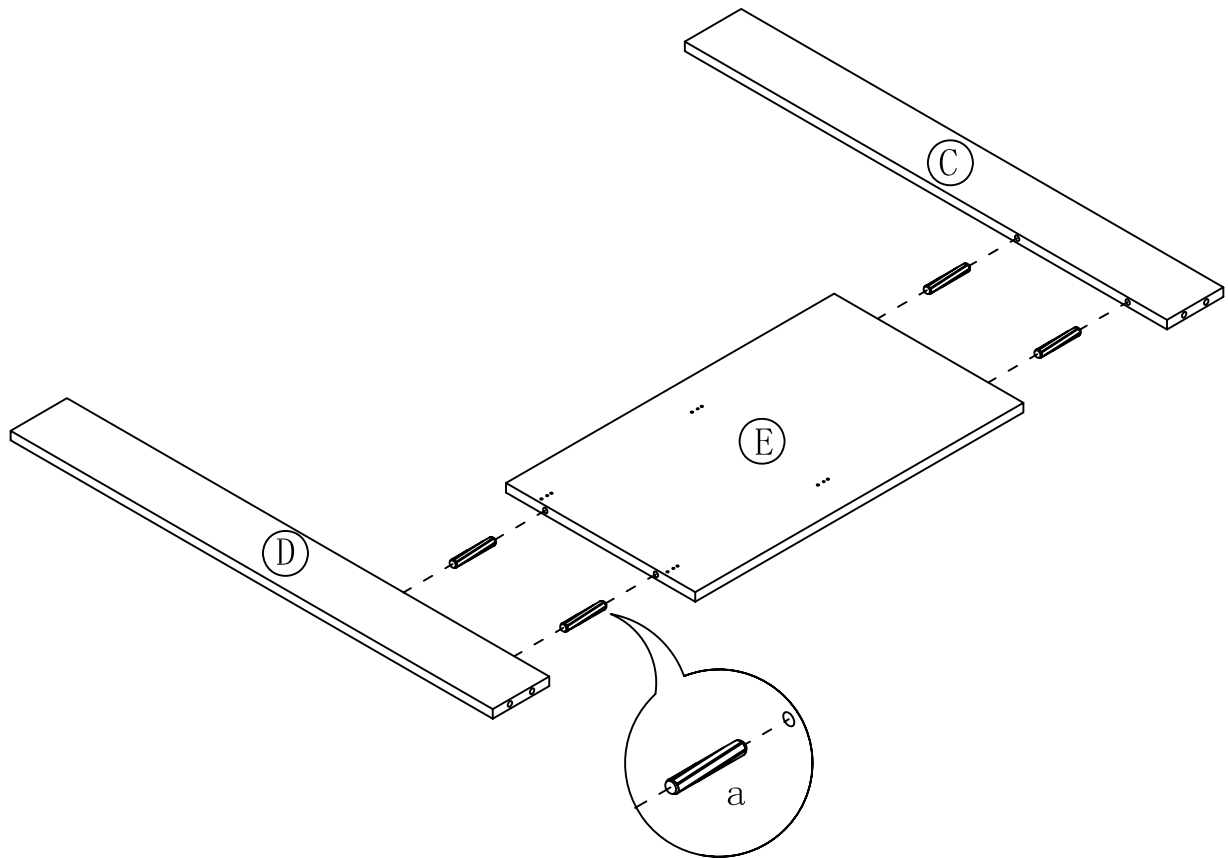


v. SMALL FLAT HEAD SCREW (FOR LOGO) 2PCS

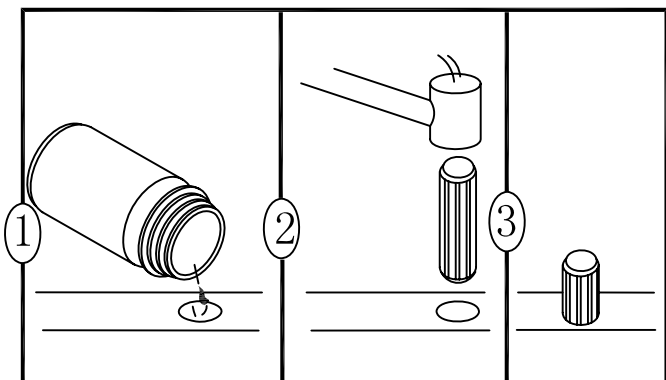
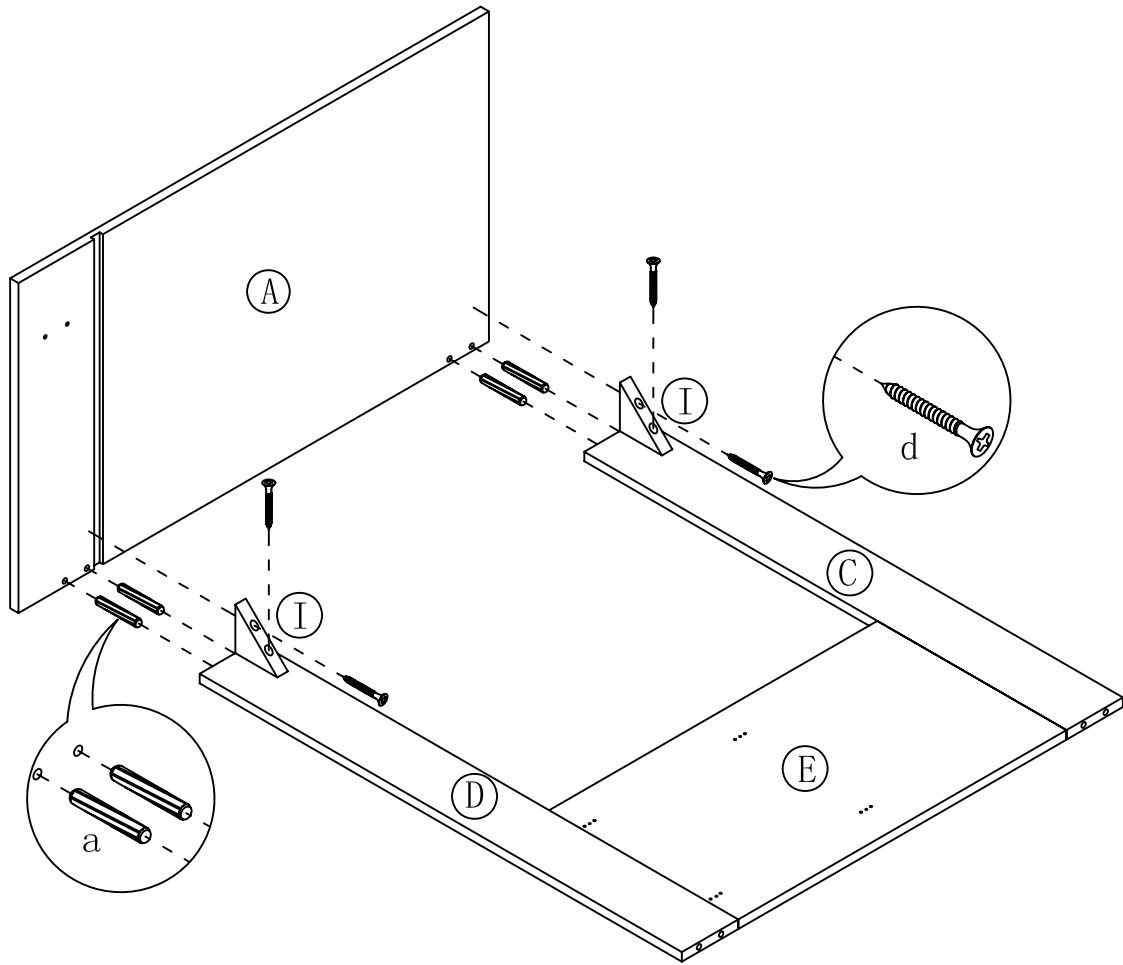


x. LOGO 1PC

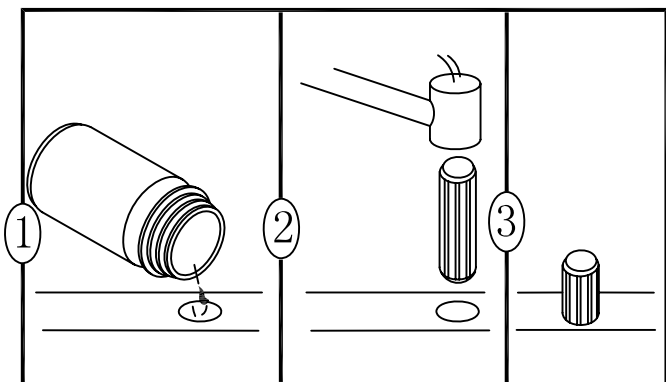
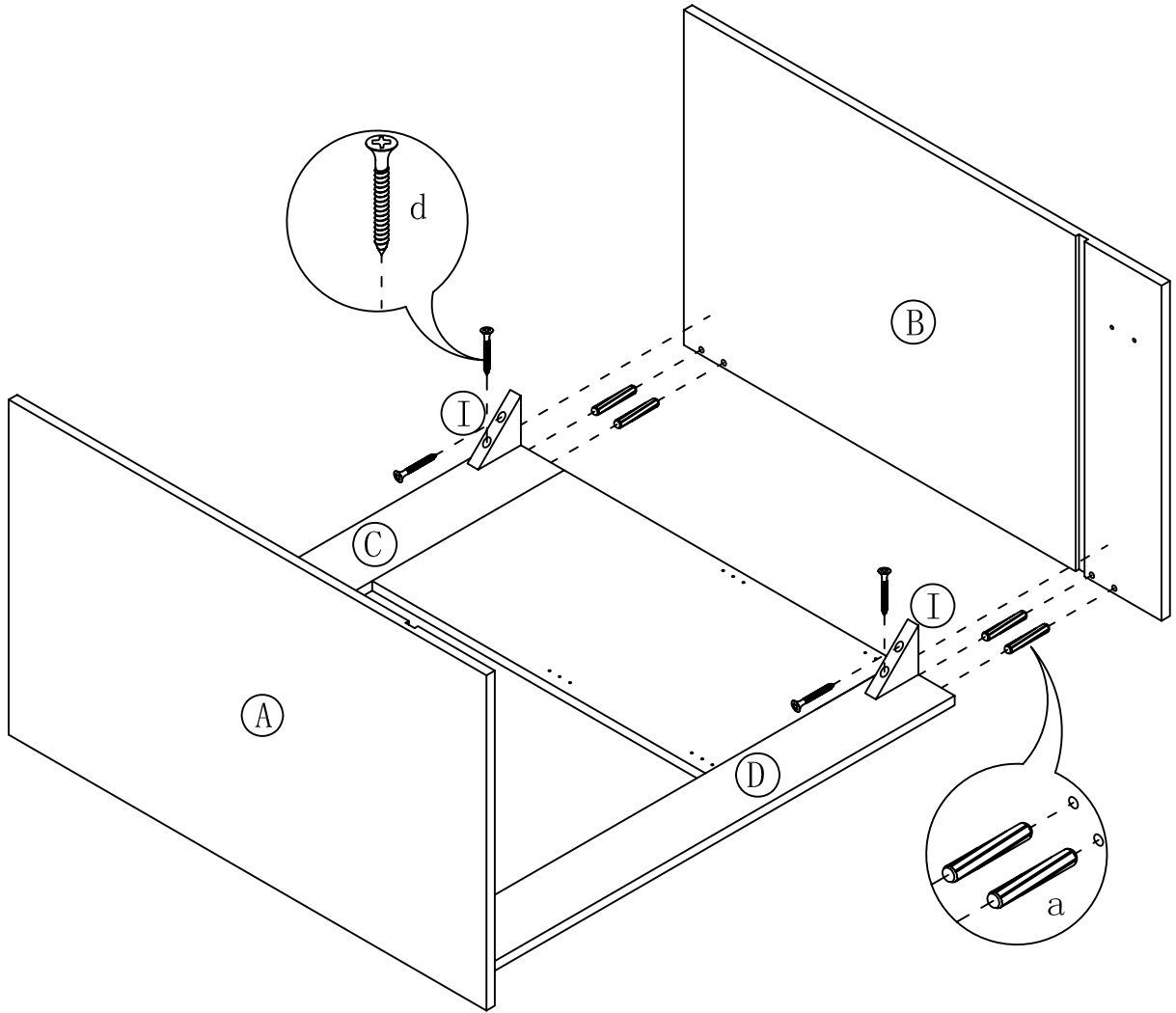
# STEP 1



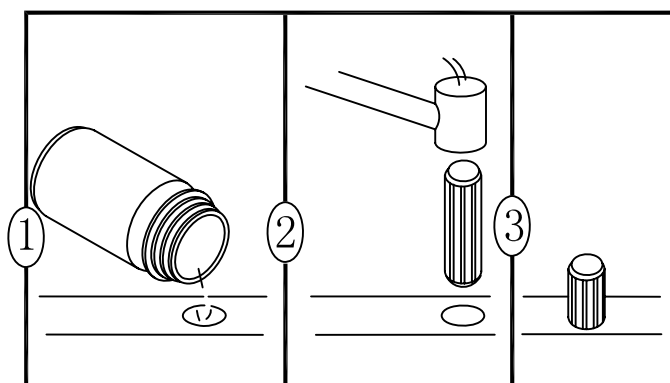
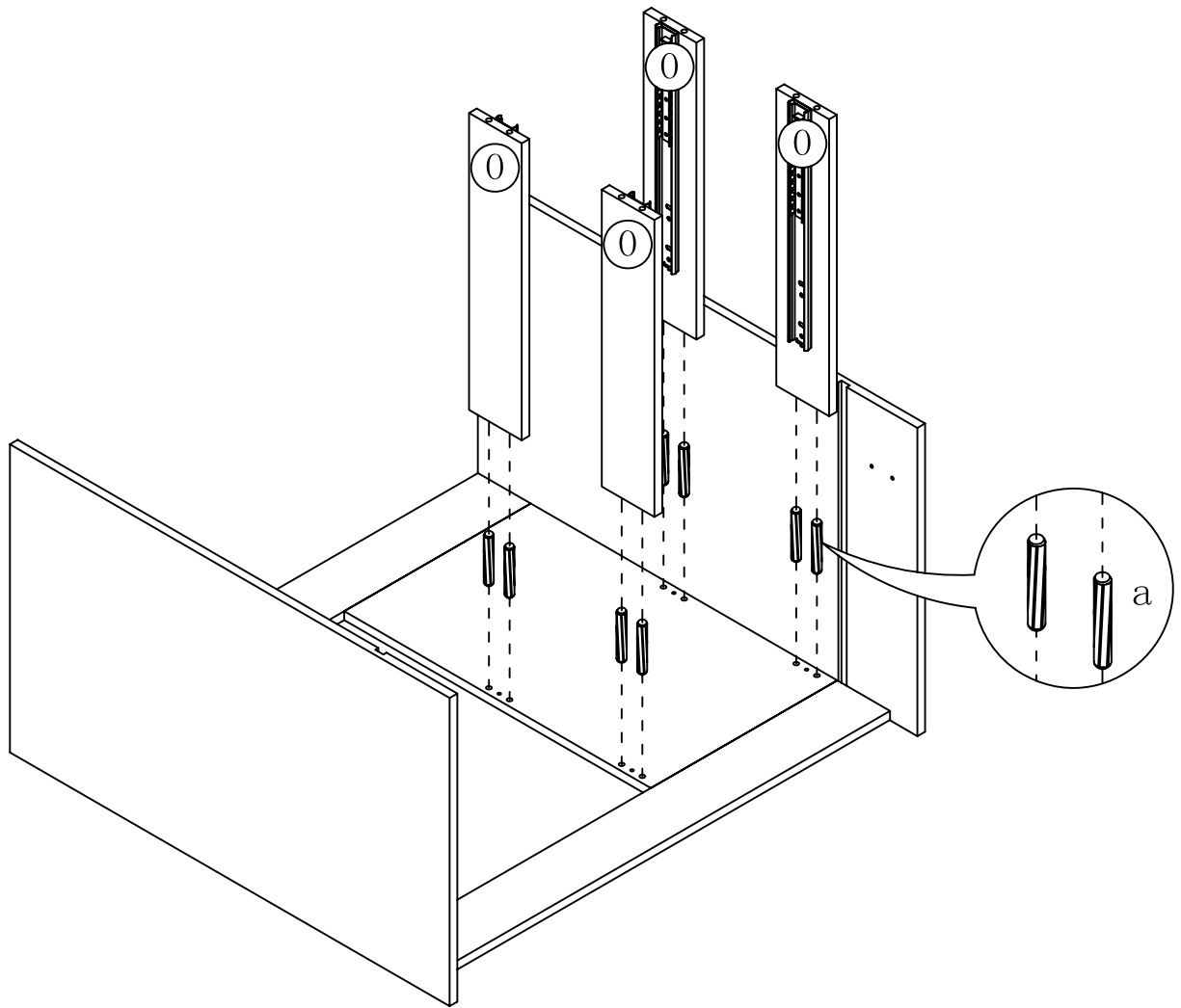
# STEP 2



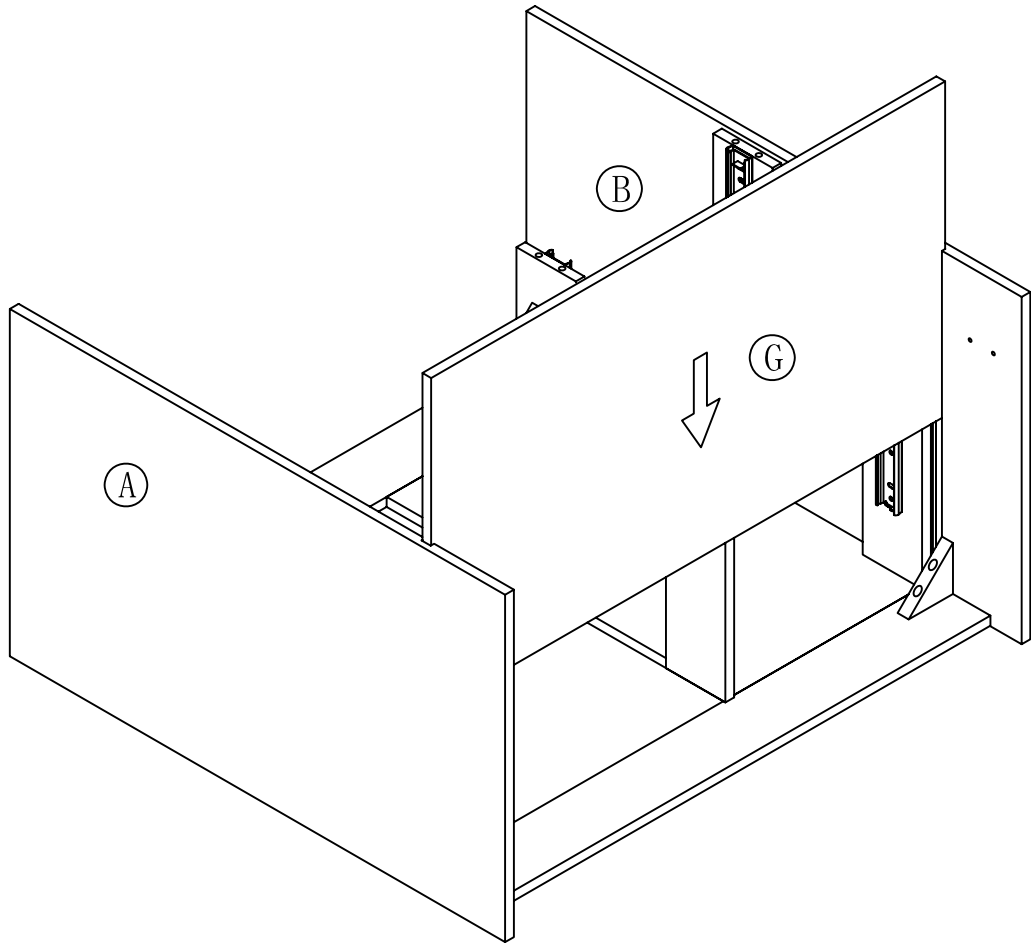
# STEP 3



# STEP 4

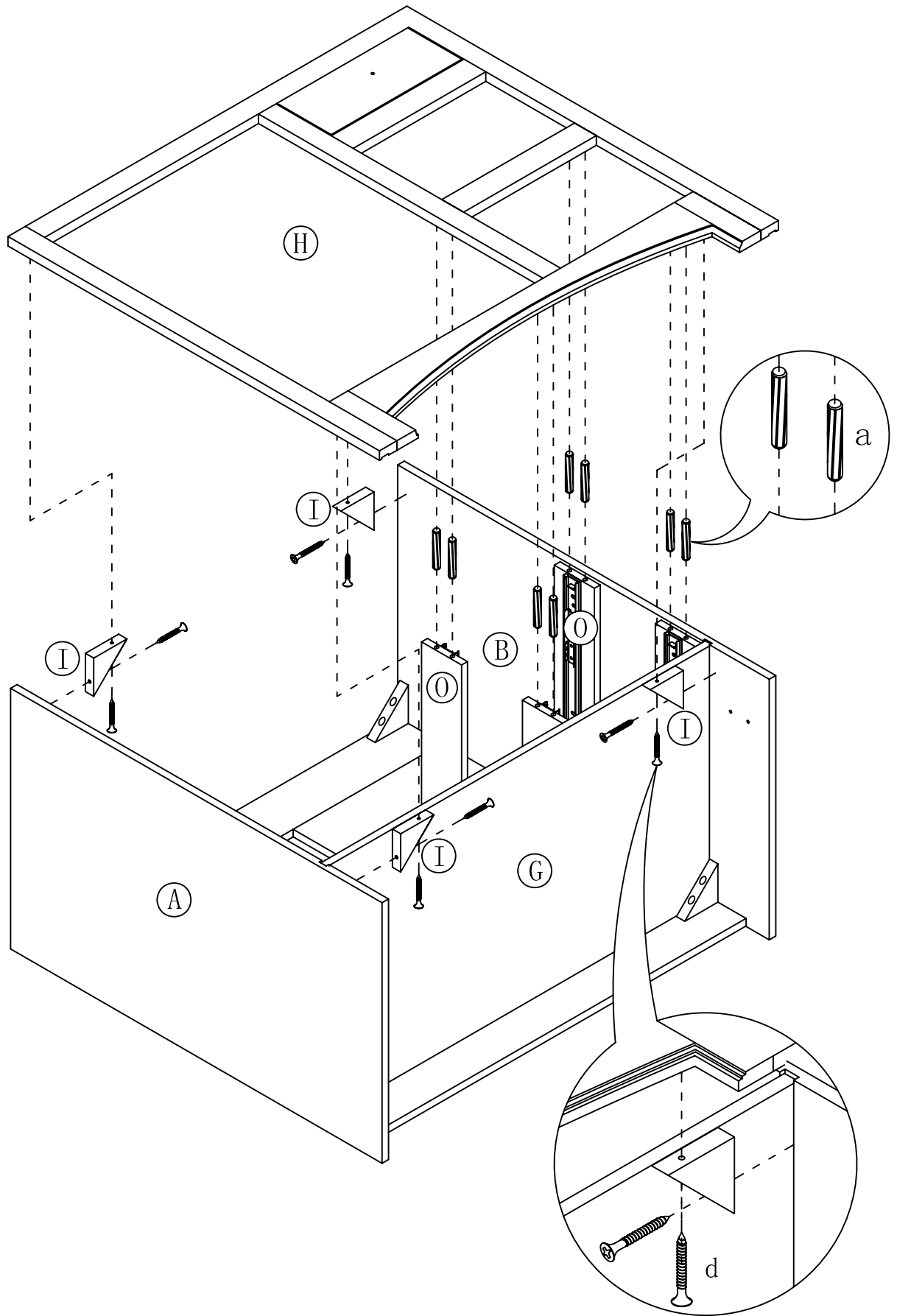


# STEP 5

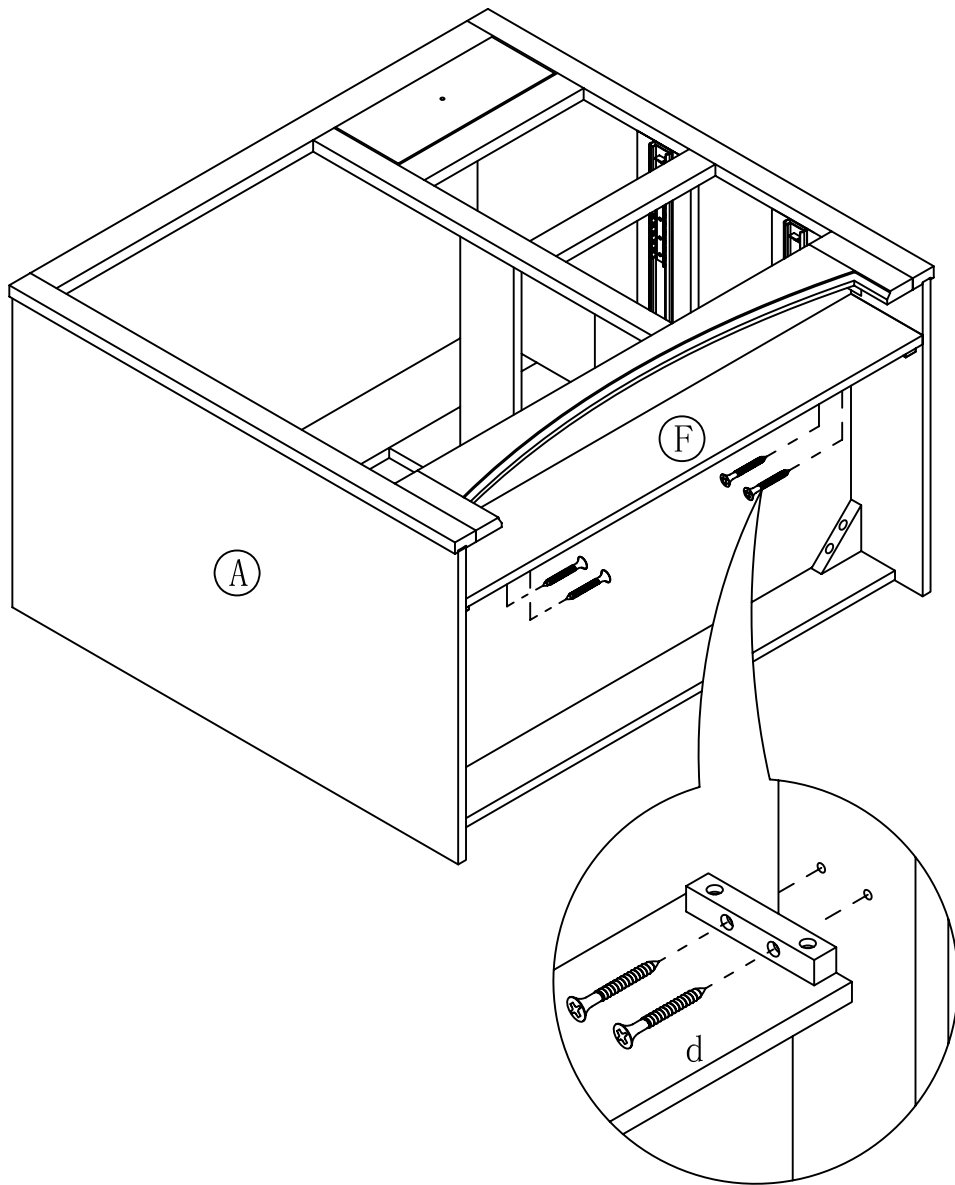




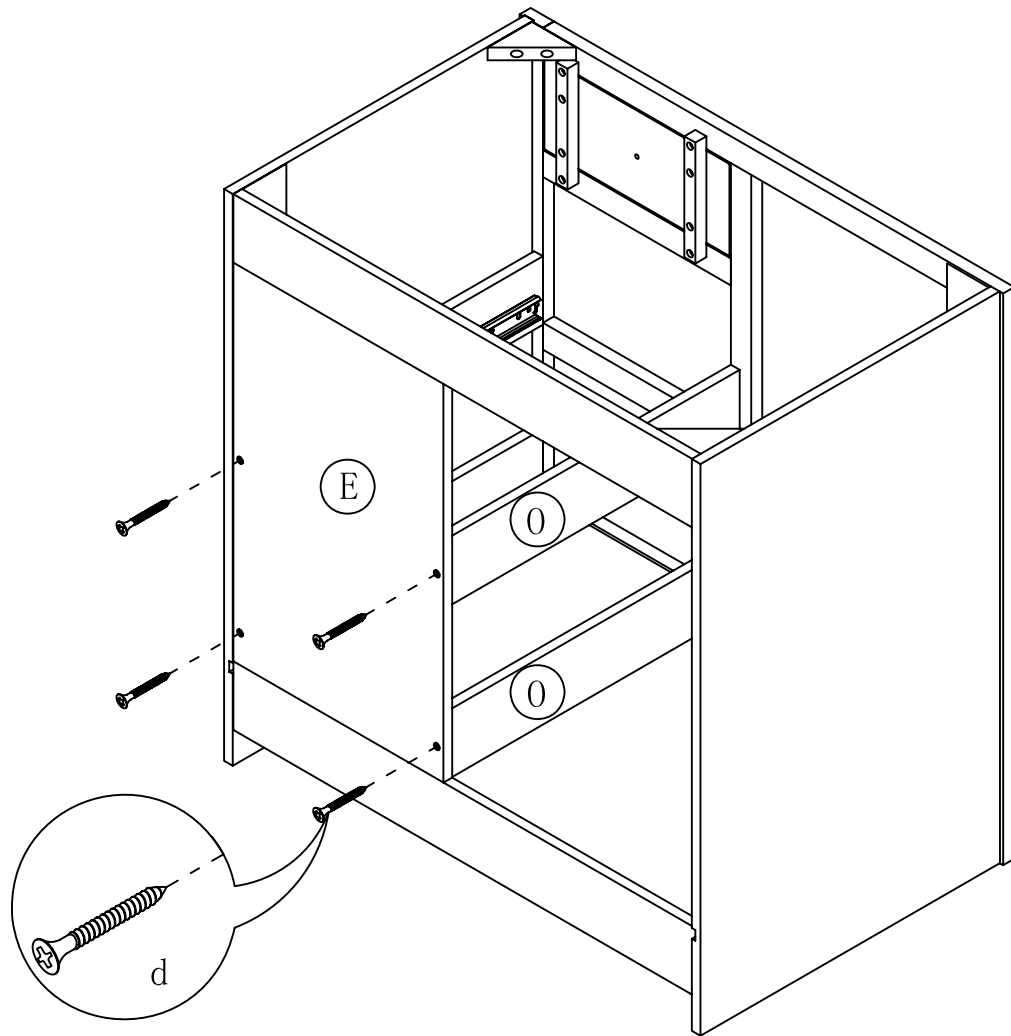
# STEP 6



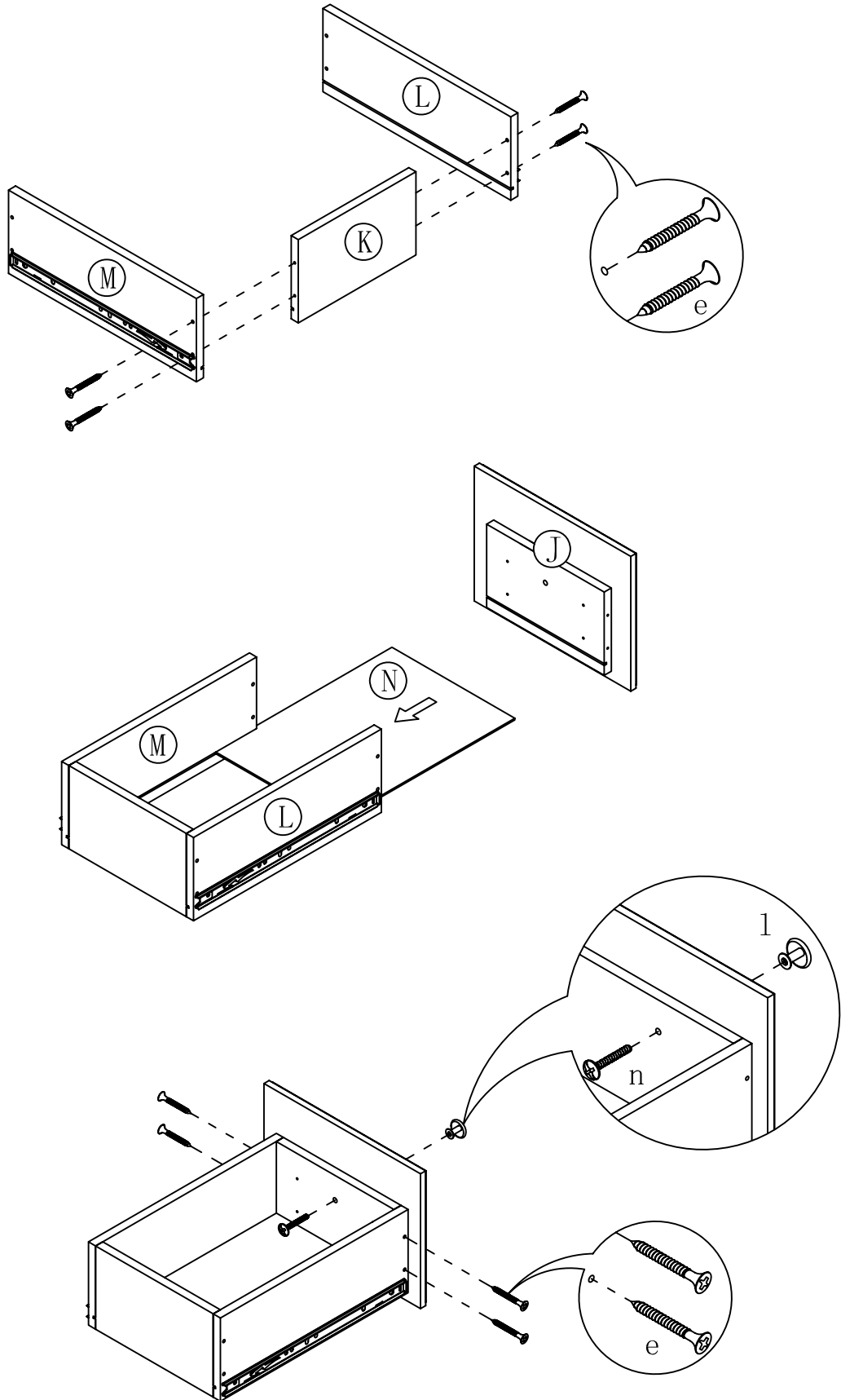
# STEP 7



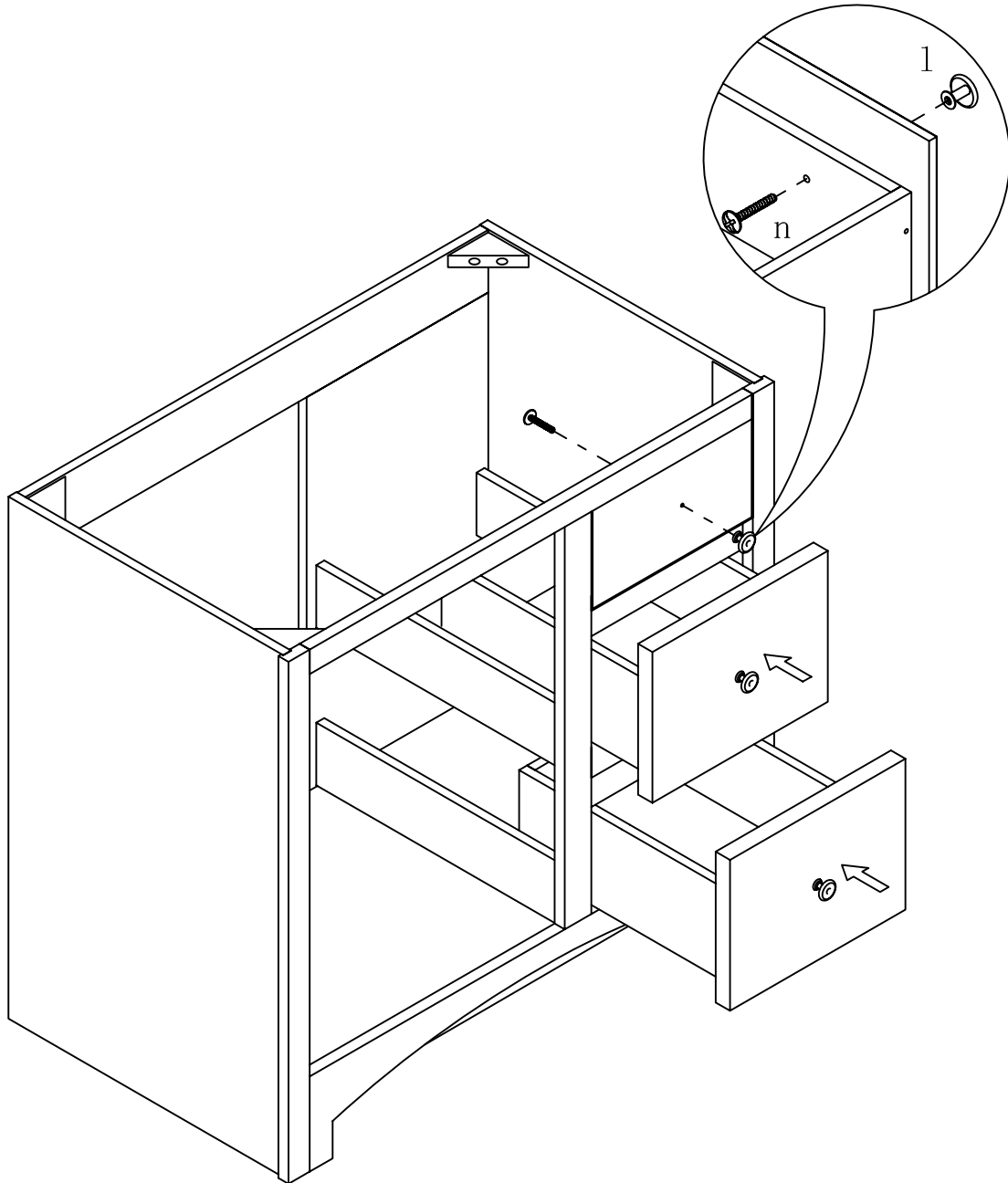
# STEP 8



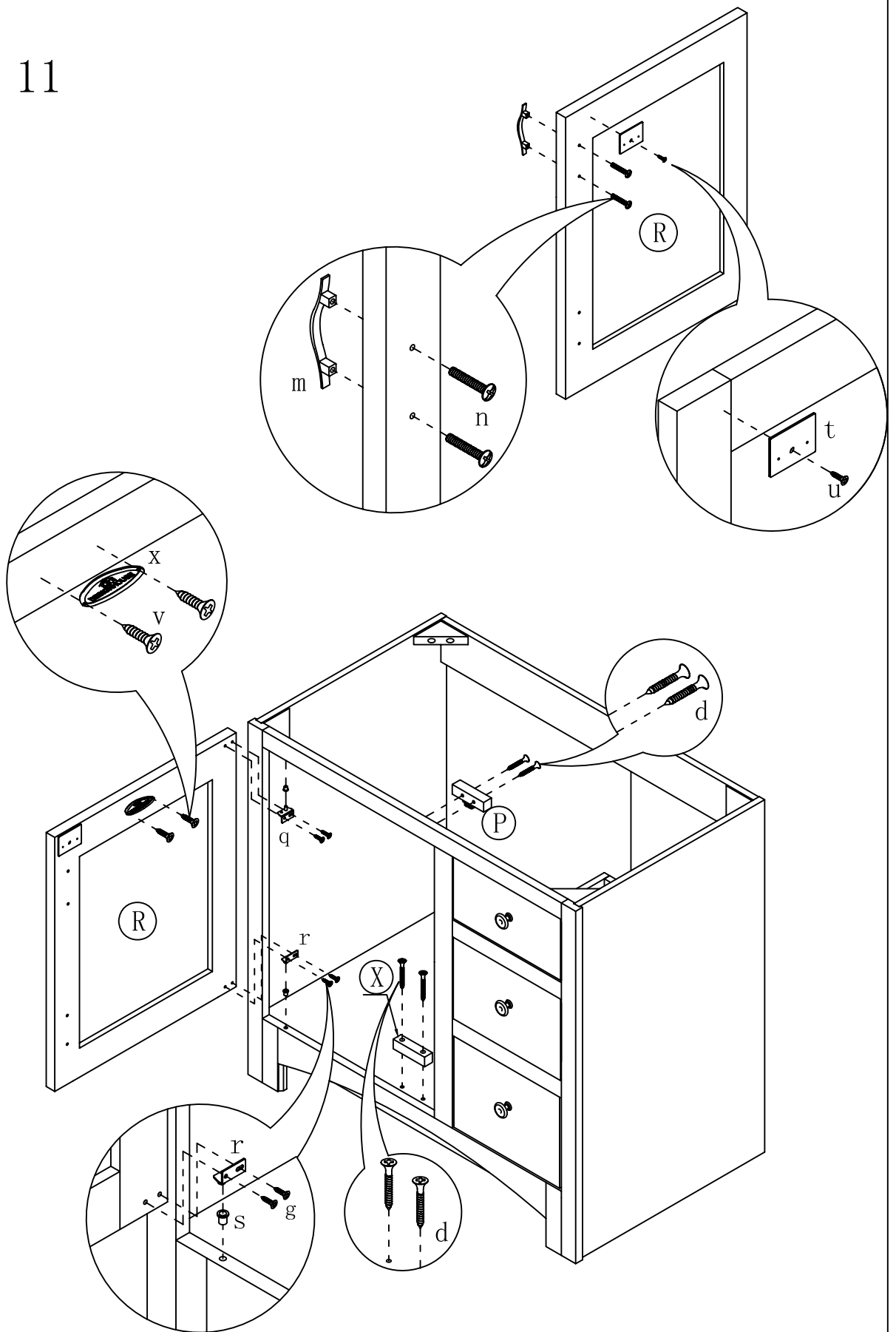
# STEP 9



# STEP 10

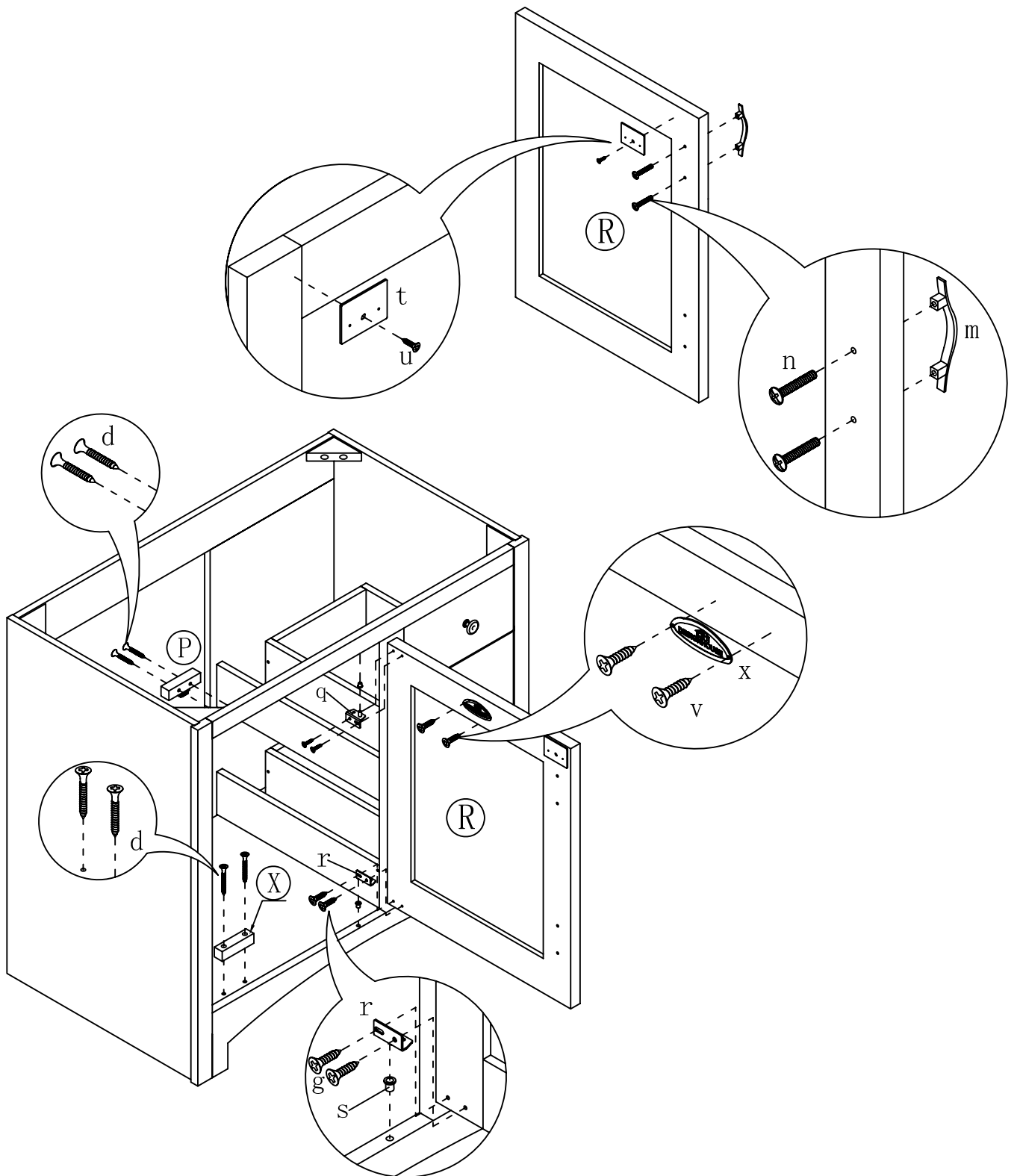


# STEP 11



PLEASE FOLLOW STEP 11 IF YOU WOULD LIKE THE DOOR OPEN FROM THE LEFT

# STEP 12



PLEASE FOLLOW STEP 12 IF YOU WOULD LIKE THE  
DOOR OPEN FROM THE RIGHT