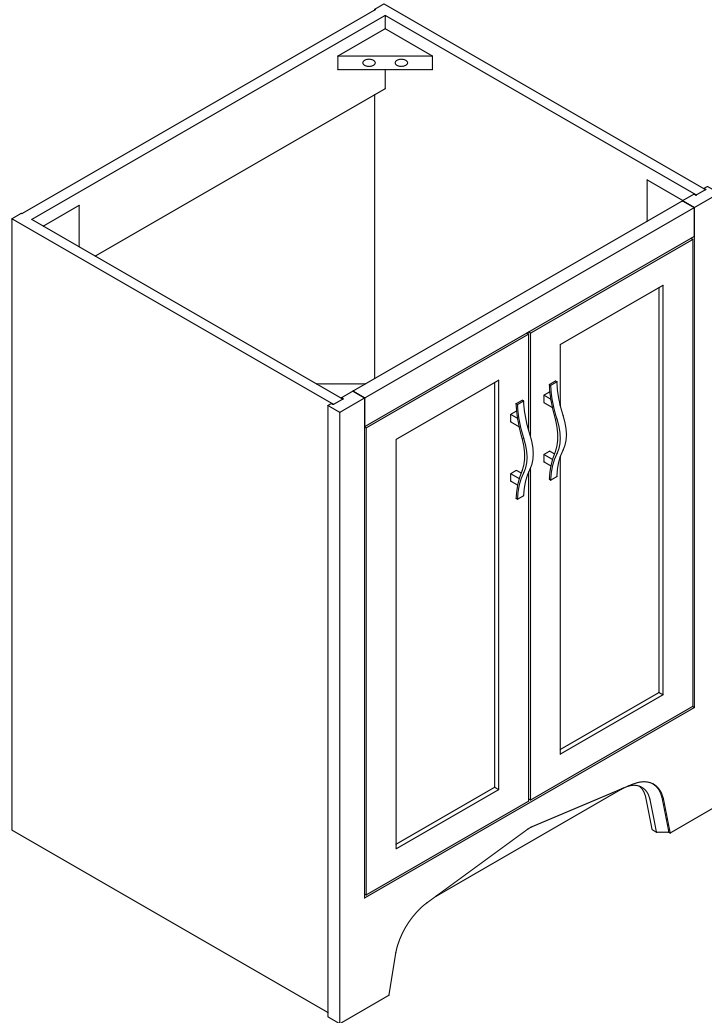




[www.todaysdesignhouse.com](http://www.todaysdesignhouse.com)

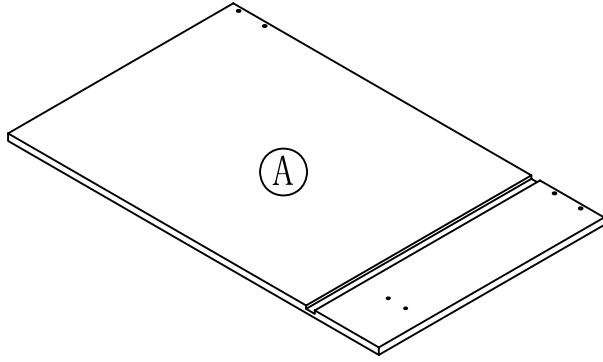


540625 • 540633 • 540641

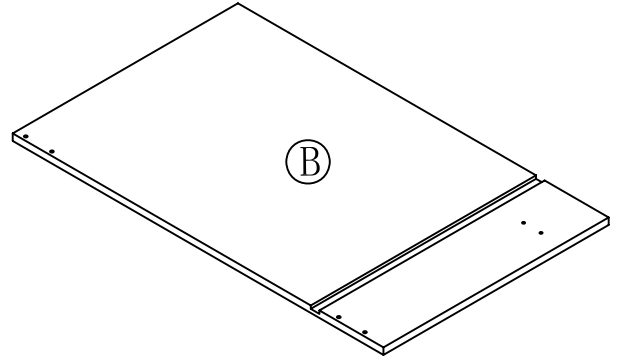
# ASSEMBLY INSTRUCTIONS

DHI Corp. • 5205 W. Donges Bay Rd. • Mequon, WI 53092 • 800.558.8700

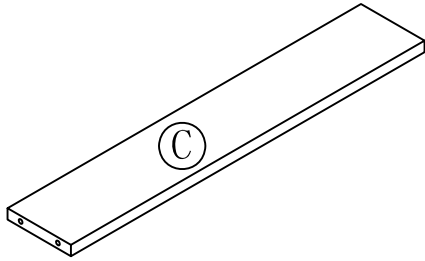
PARTS LIST:



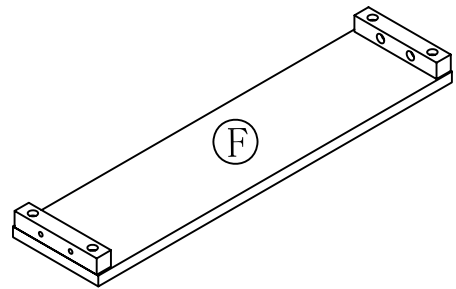
LEFT SIDE PANEL 1PC



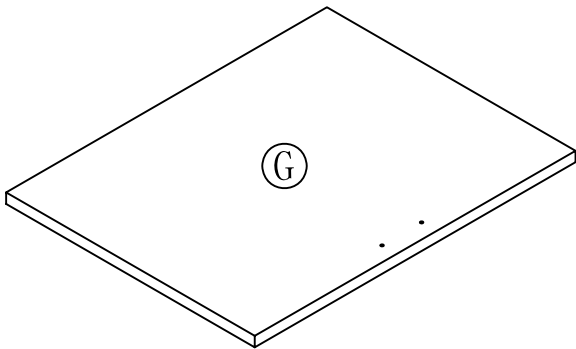
RIGHT SIDE PANEL 1PC



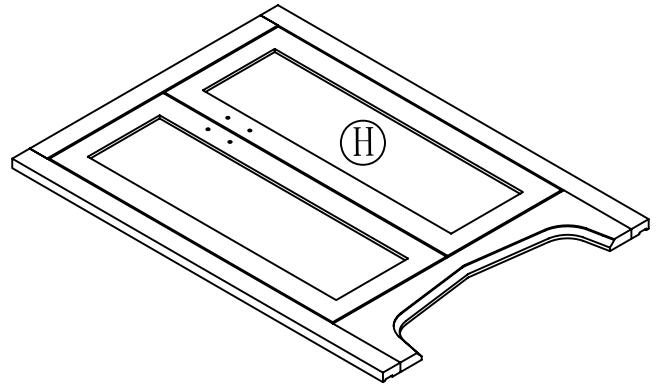
BACK CROSS BRACE 2PCS



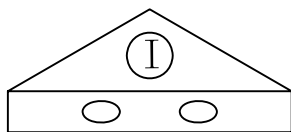
TOE KICK PANEL 1PC



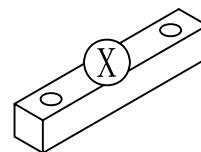
BOTTOM PANEL 1PC



FRONT FRAME 1PC



STRENGTH BLOCK 8PCS



STOPPER 1PC

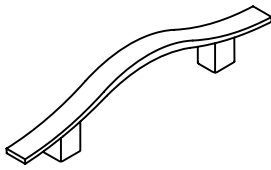
# HARDWARE LIST:



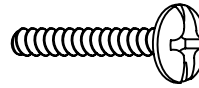
a. WOOD DOWEL 8PCS



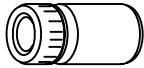
d. 1" FLAT HEAD  
SCREW 22PCS



m. HANDLE 2PCS

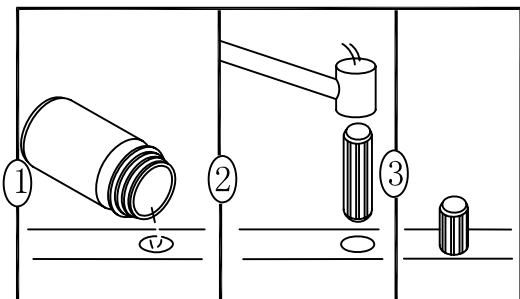
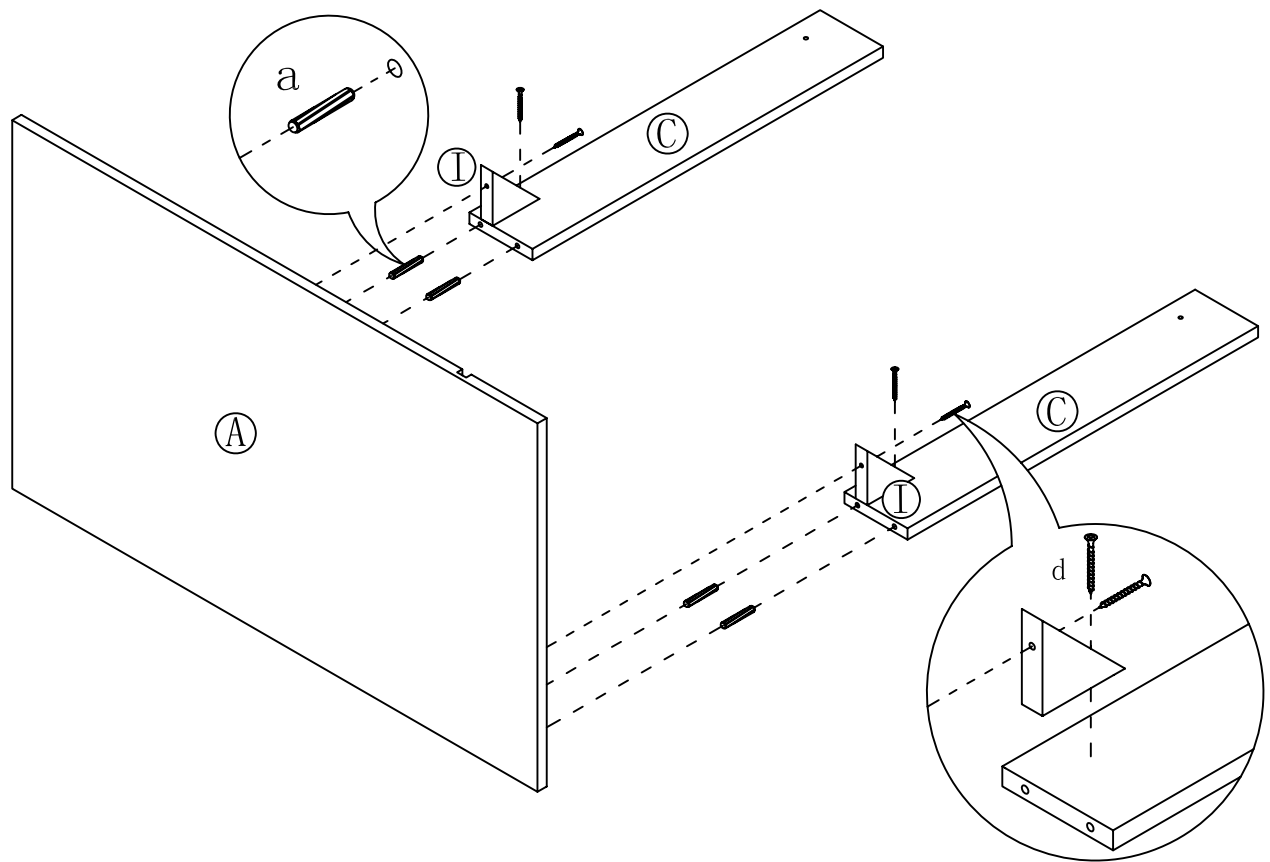


n. HANDLE BOLT 4PCS

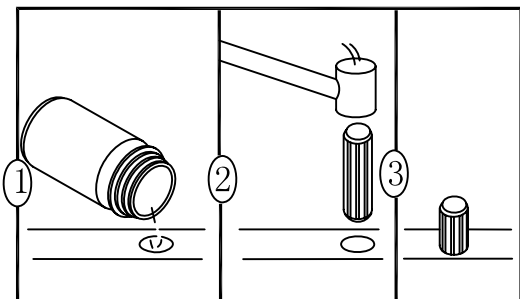
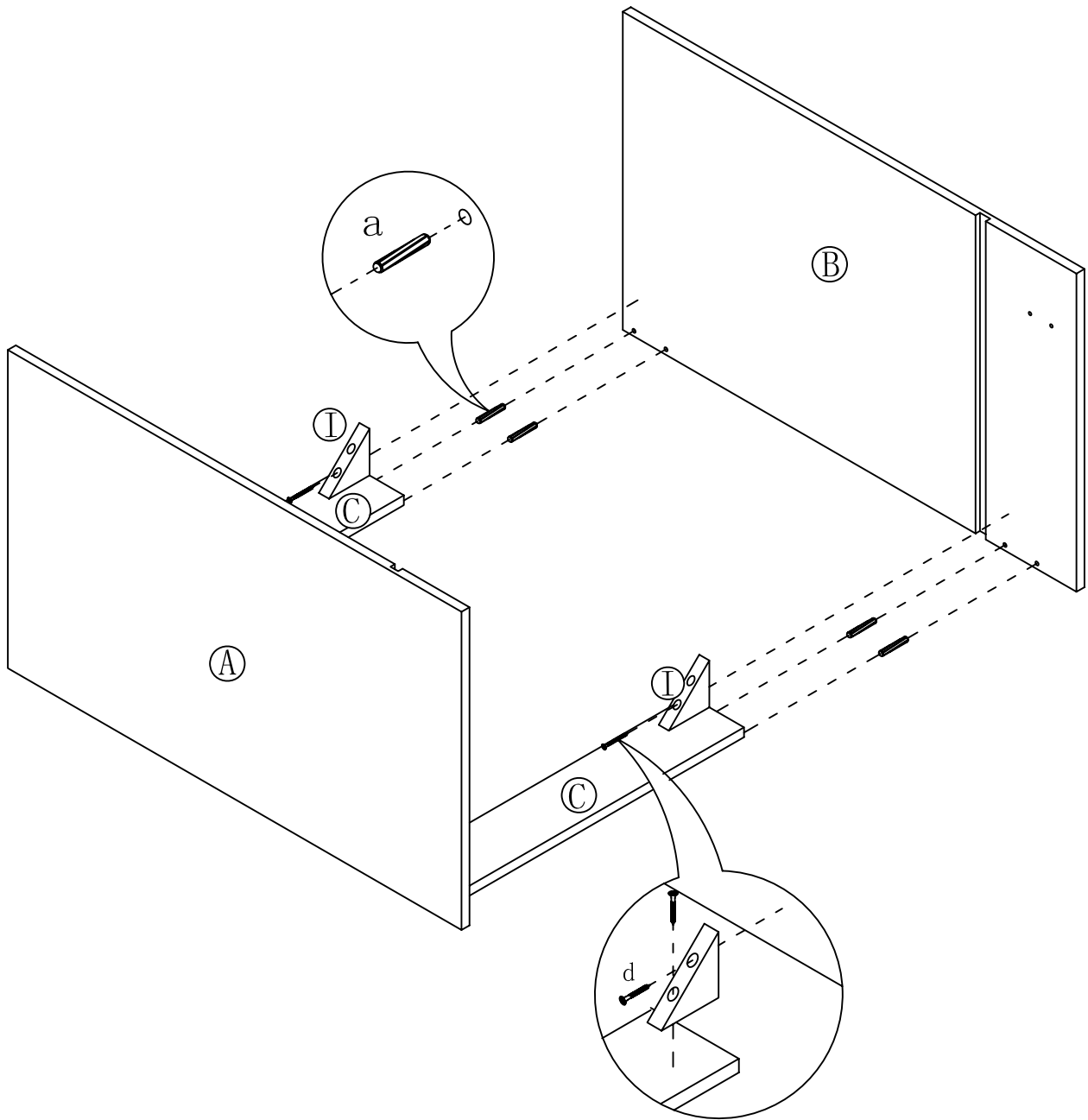


p. GLUE 1PC

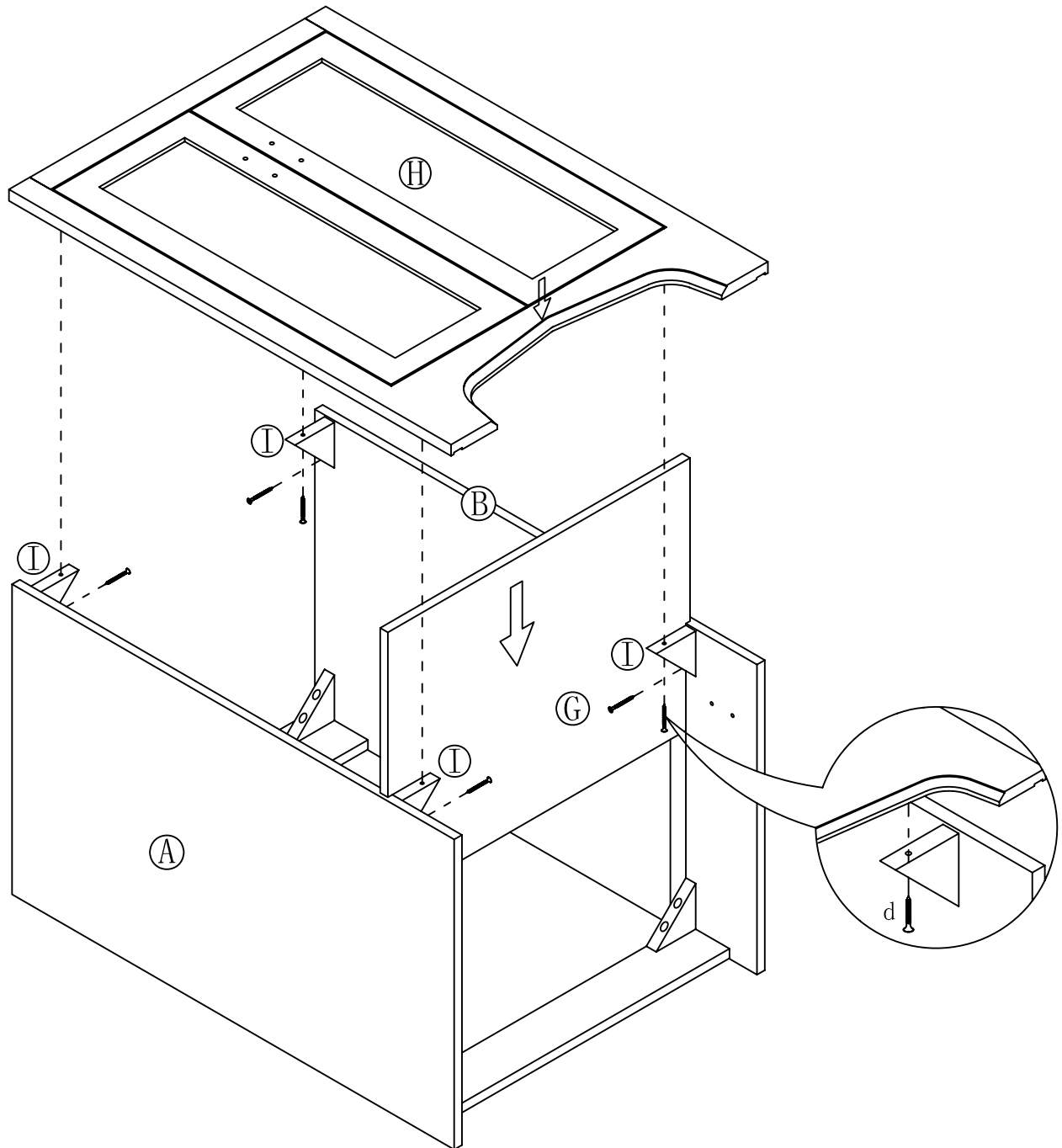
# STEP 1



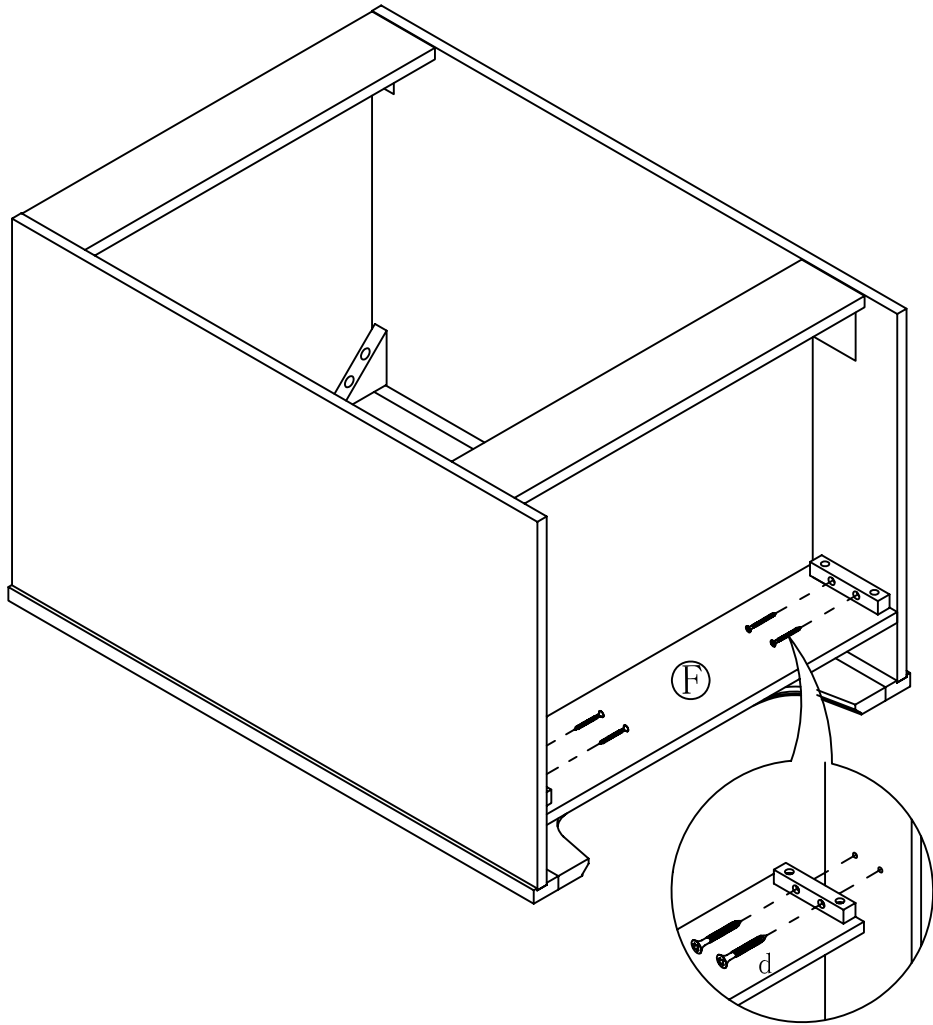
# STEP 2



# STEP 3



# STEP 4



# STEP 5

