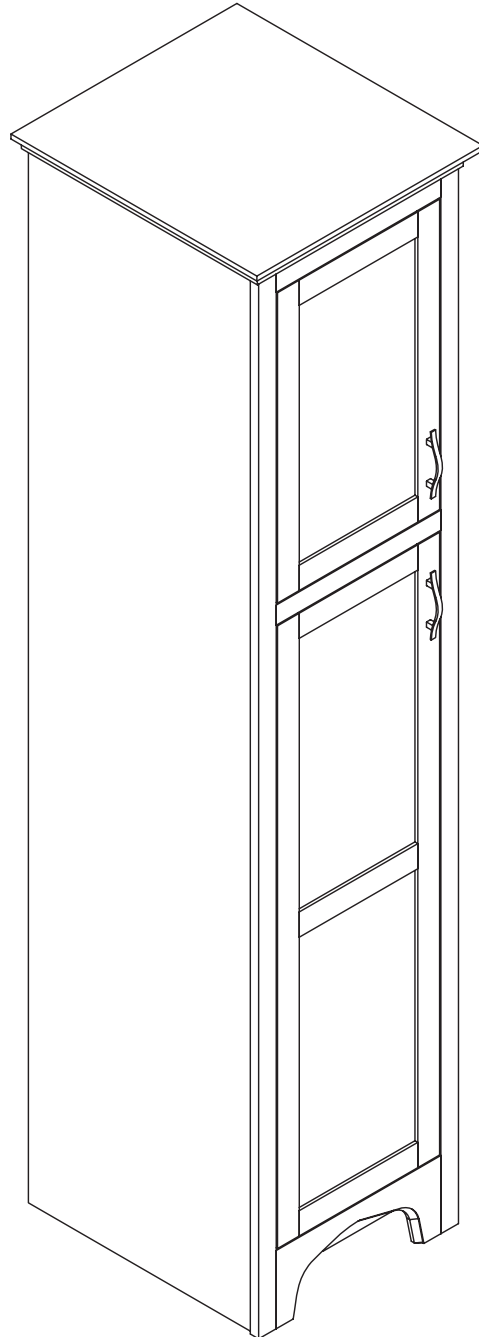




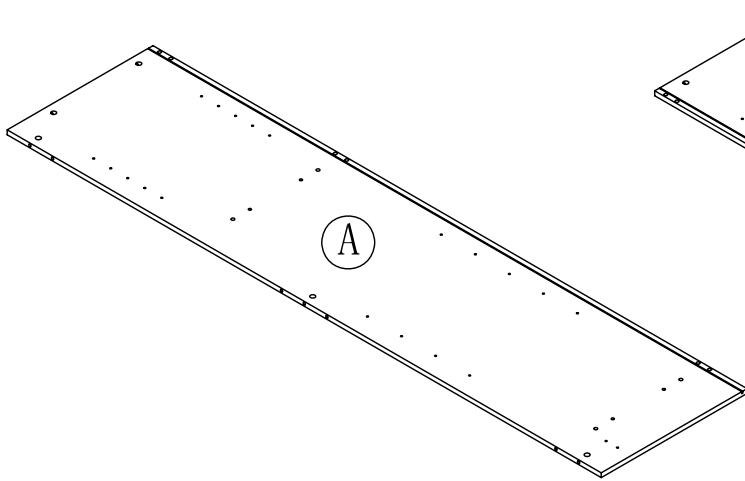
ADVANCED
GLOBAL COMMERCE



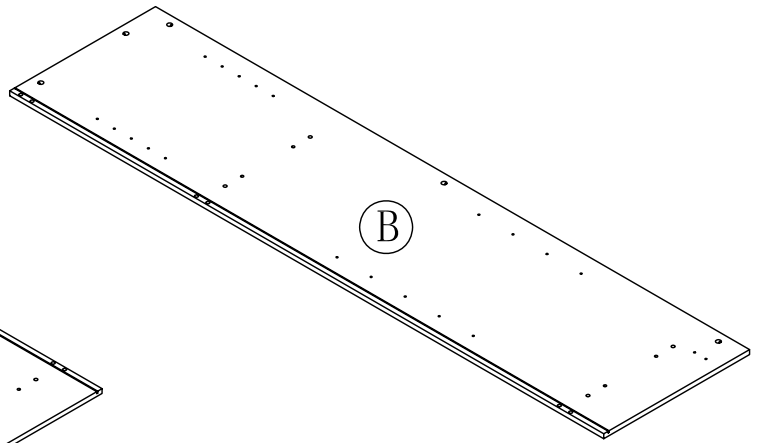
541300

ASSEMBLY INSTRUCTIONS

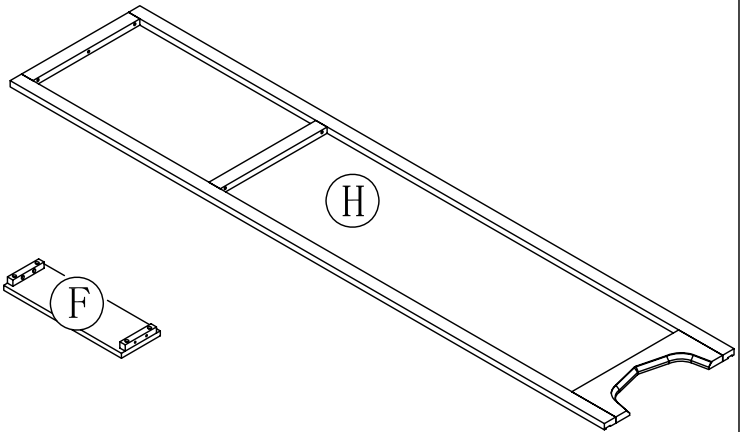
PARTS LIST:



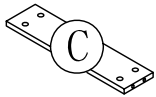
LEFT SIDE PANEL 1PC



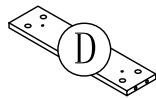
RIGHT SIDE PANEL 1PC



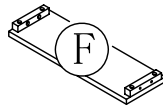
FRONT FRAME 1PC



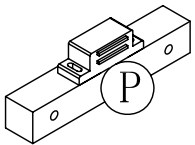
BACK UP CROSS BRACE 1PC



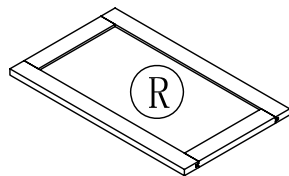
BACK DOWN CROSS BRACE 2PCS



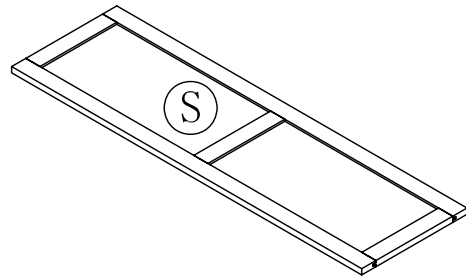
TOE KICK PANEL 1PC



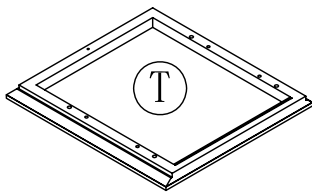
MAGNET 3PCS



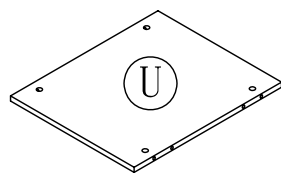
SMALL DOOR 1PC



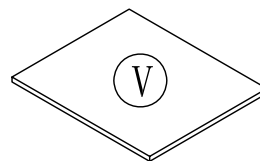
LARGE DOOR 1PC



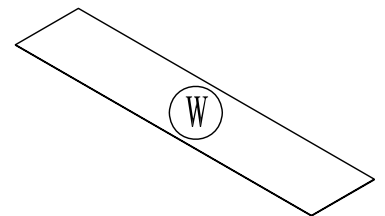
TOP PANEL 1PC



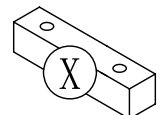
FIXED PANEL 2PCS



ADJUSTABLE PANEL 2PCS



BACK PANEL 1PC

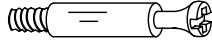


STOPPER 1PC

HARDWARE LIST:



a. WOOD DOWEL 20PCS



b. CAM LOCK SCREW 30PCS



c. CAM LOCK 30PCS



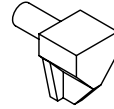
d. 1" L FLAT HEAD SCREW 13PCS



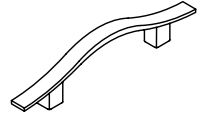
e. 1-1/2" L FLAT HEAD SCREW 4PCS



g. 1/2" L FLAT HEAD SCREW (FOR HINGE) 8PCS



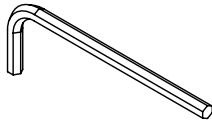
k. PIN 8PCS



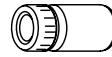
m. HANDLE 2PCS



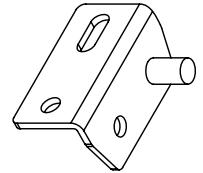
n. HANDLE (KNOB) BOLT 4PCS



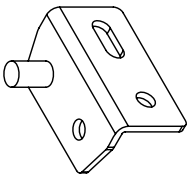
o. WRENCH 1PC



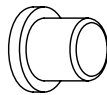
p. GLUE 1PC



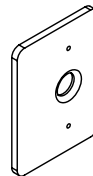
q. HINGE (1) 2PCS



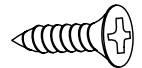
r. HINGE (2) 2PCS



s. PLASTIC PLUG 4PCS



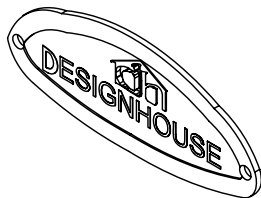
t. METAL PLATE 3PCS



u. 3/8" L FLAT HEAD SCREW 3PCS



v. SMALL SCREW (FOR LOGO) 2PCS

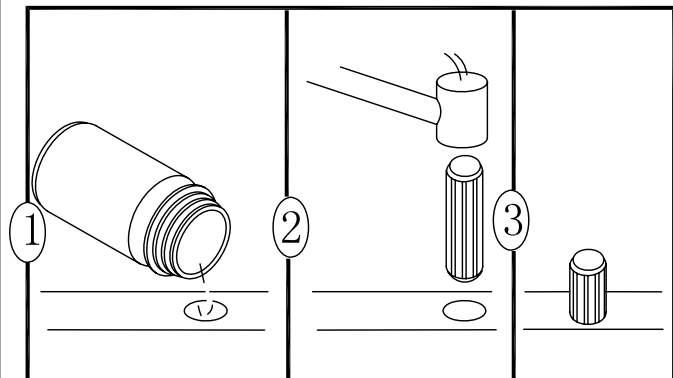
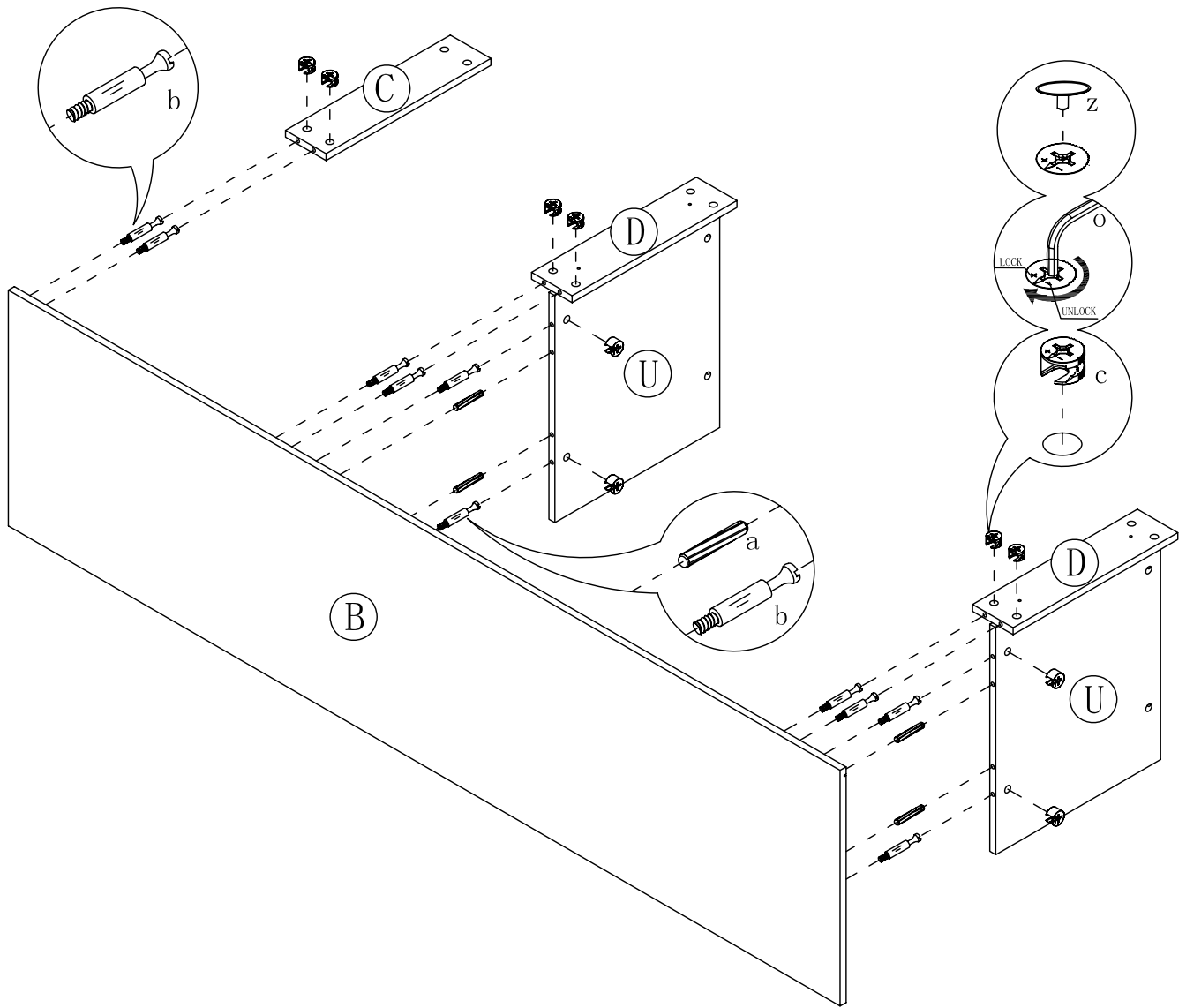


x. LOGO 1PC

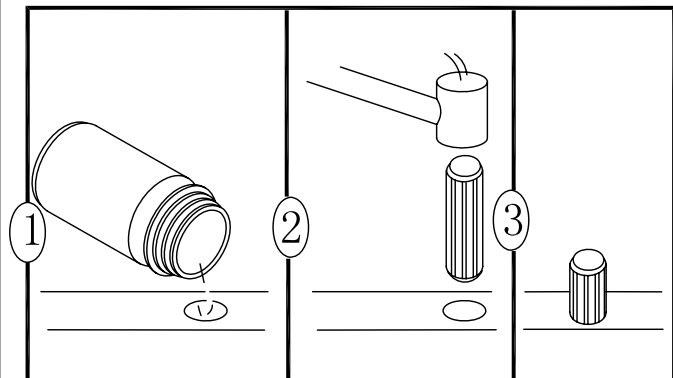
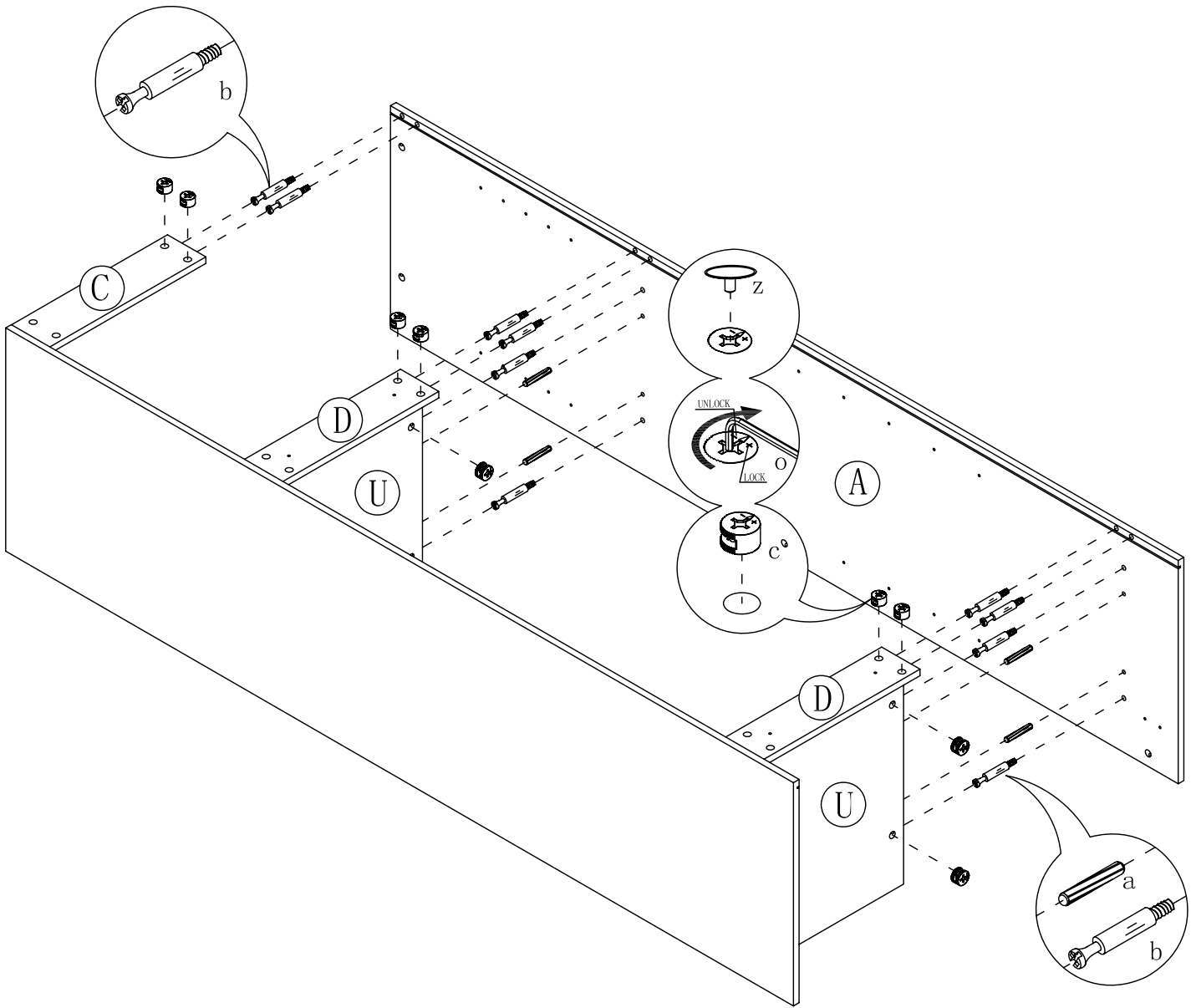


z. PLASTIC COVER 30PCS

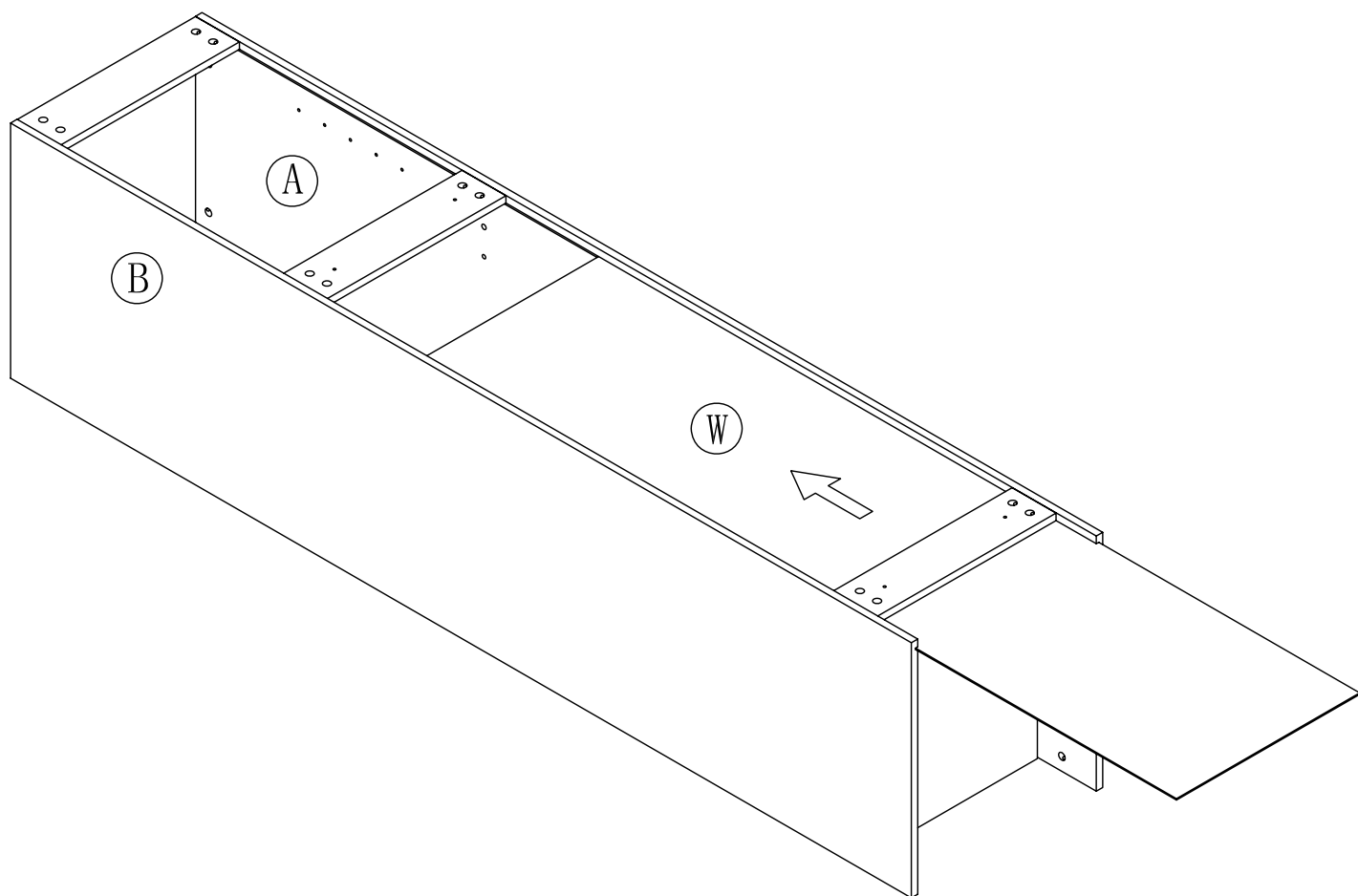
STEP 1



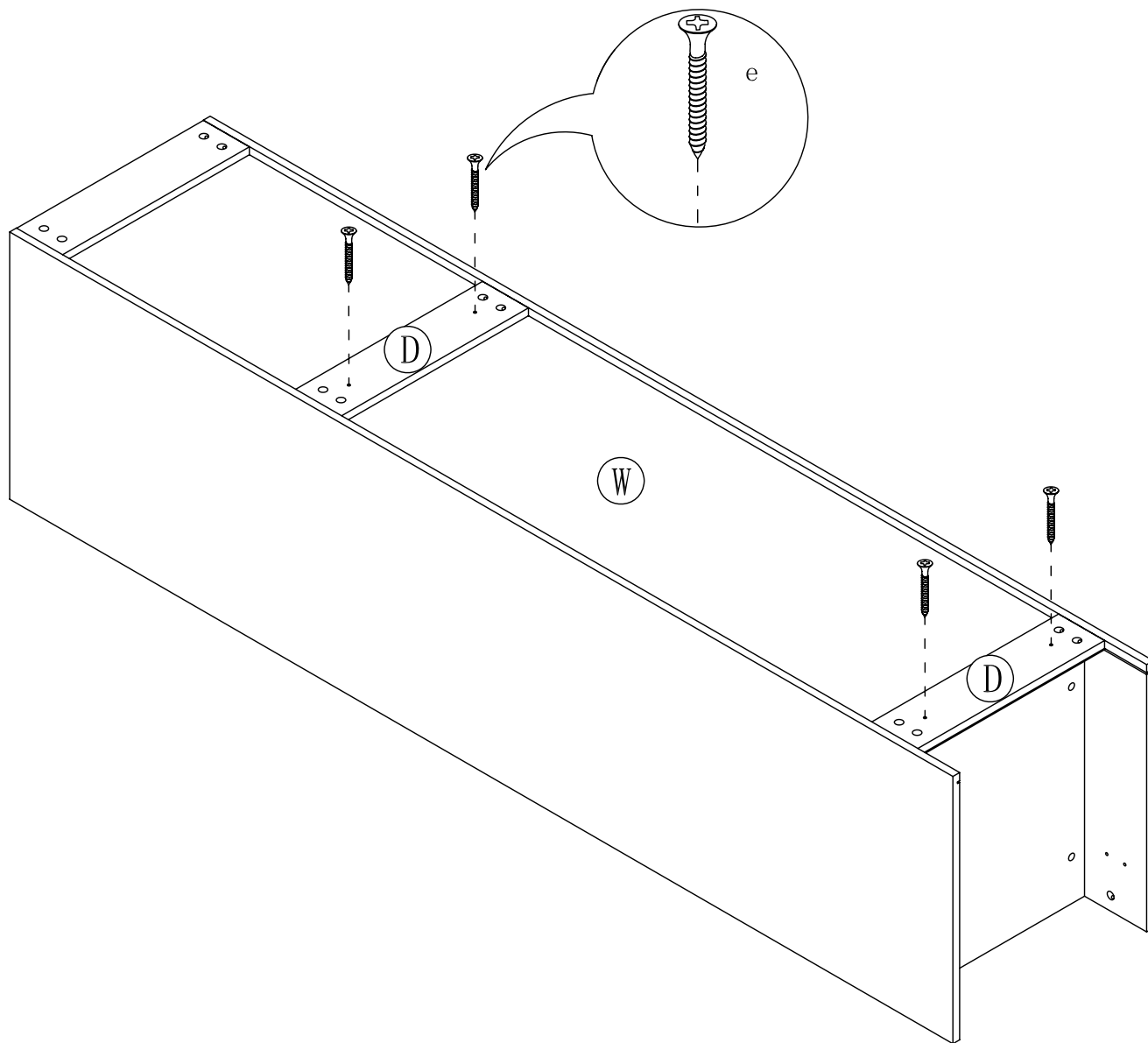
STEP 2



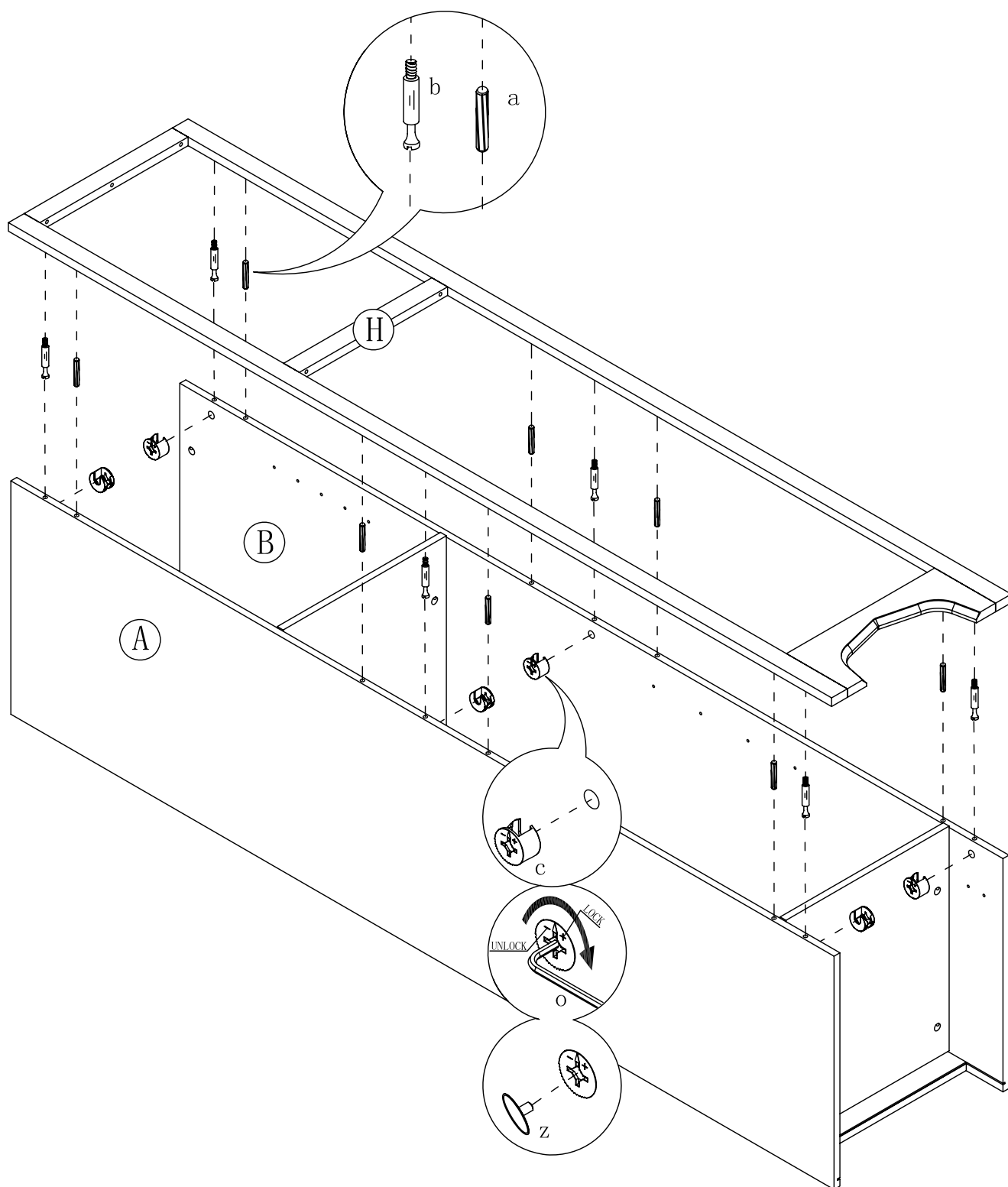
STEP 3



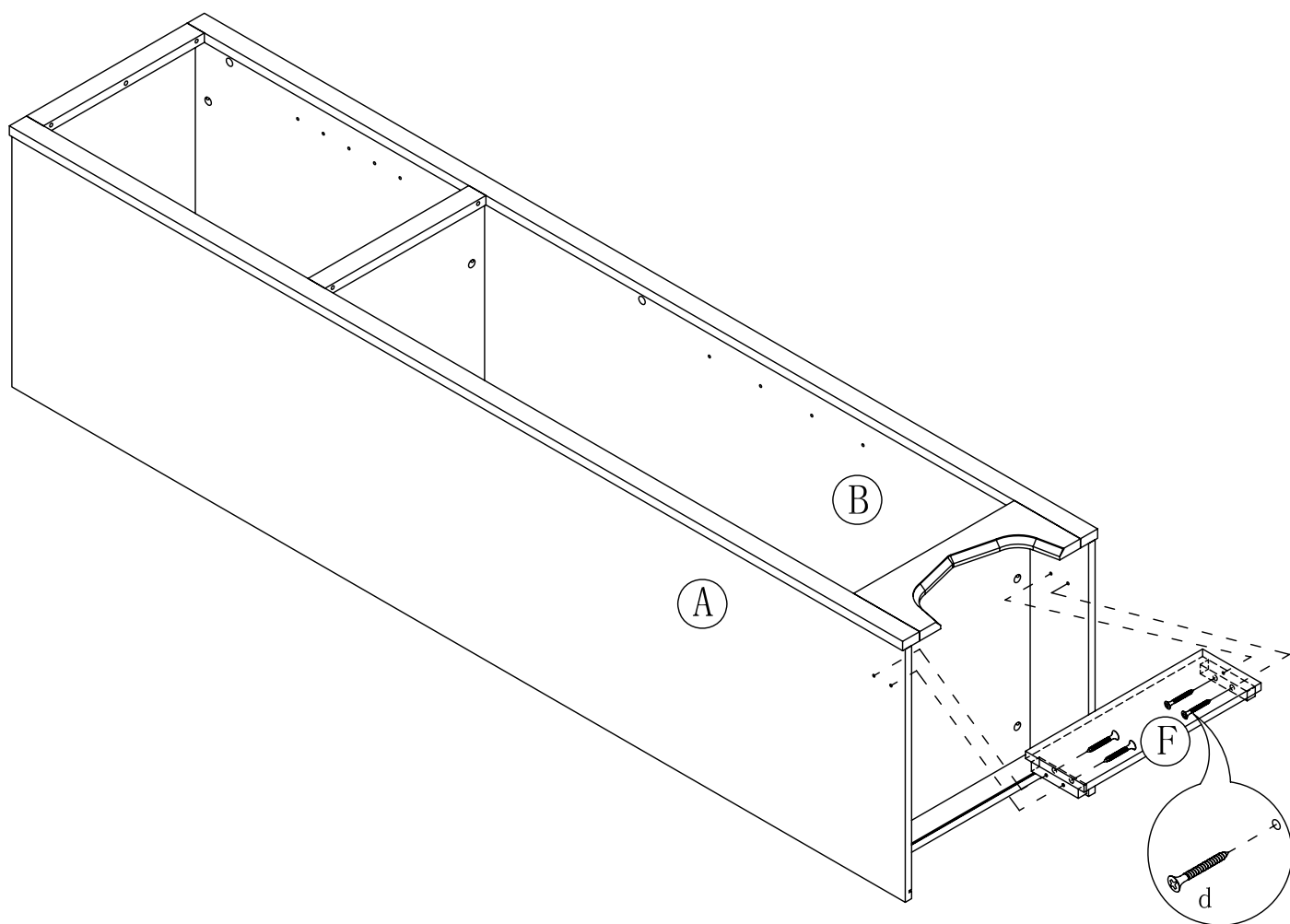
STEP 4



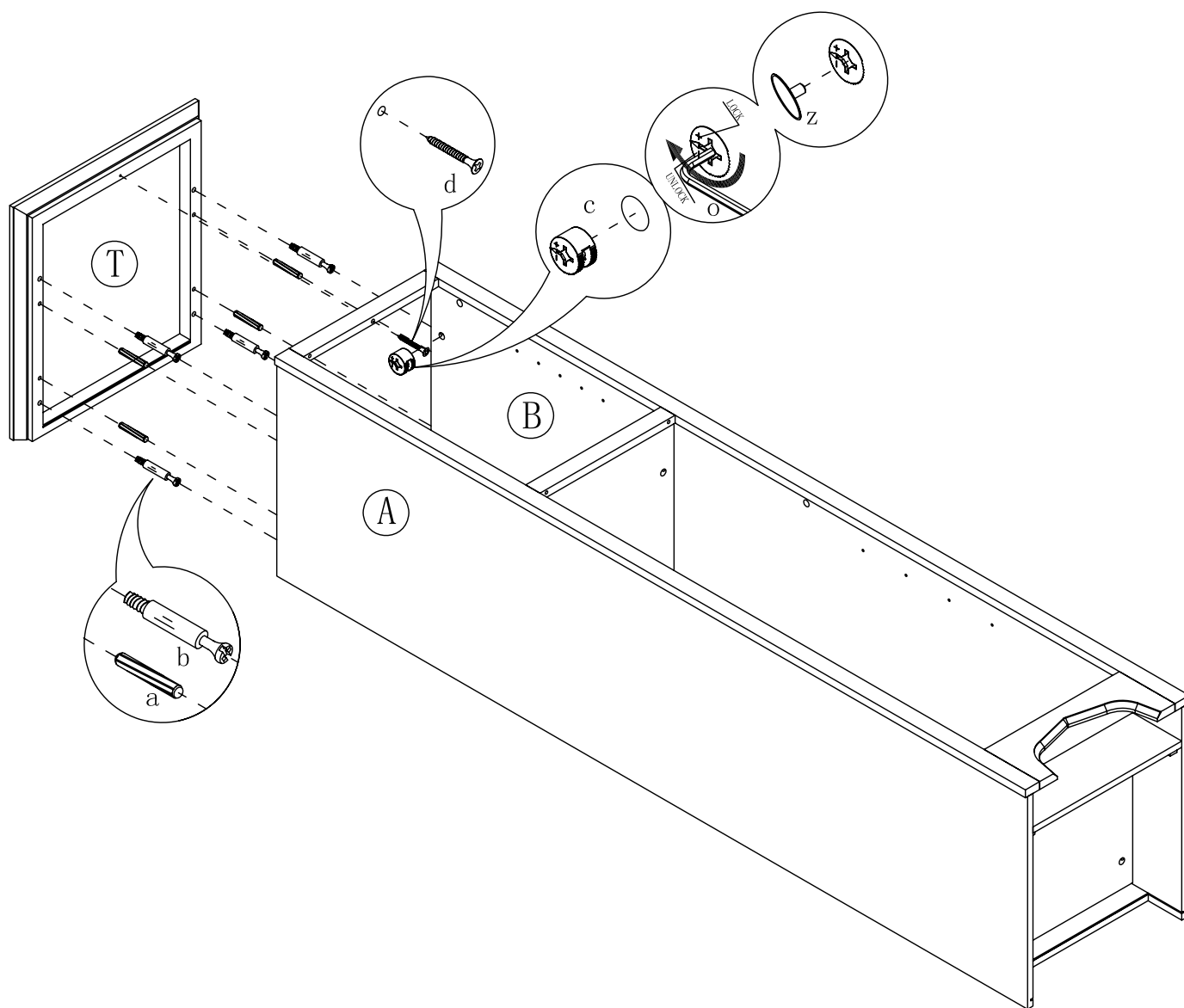
STEP 5



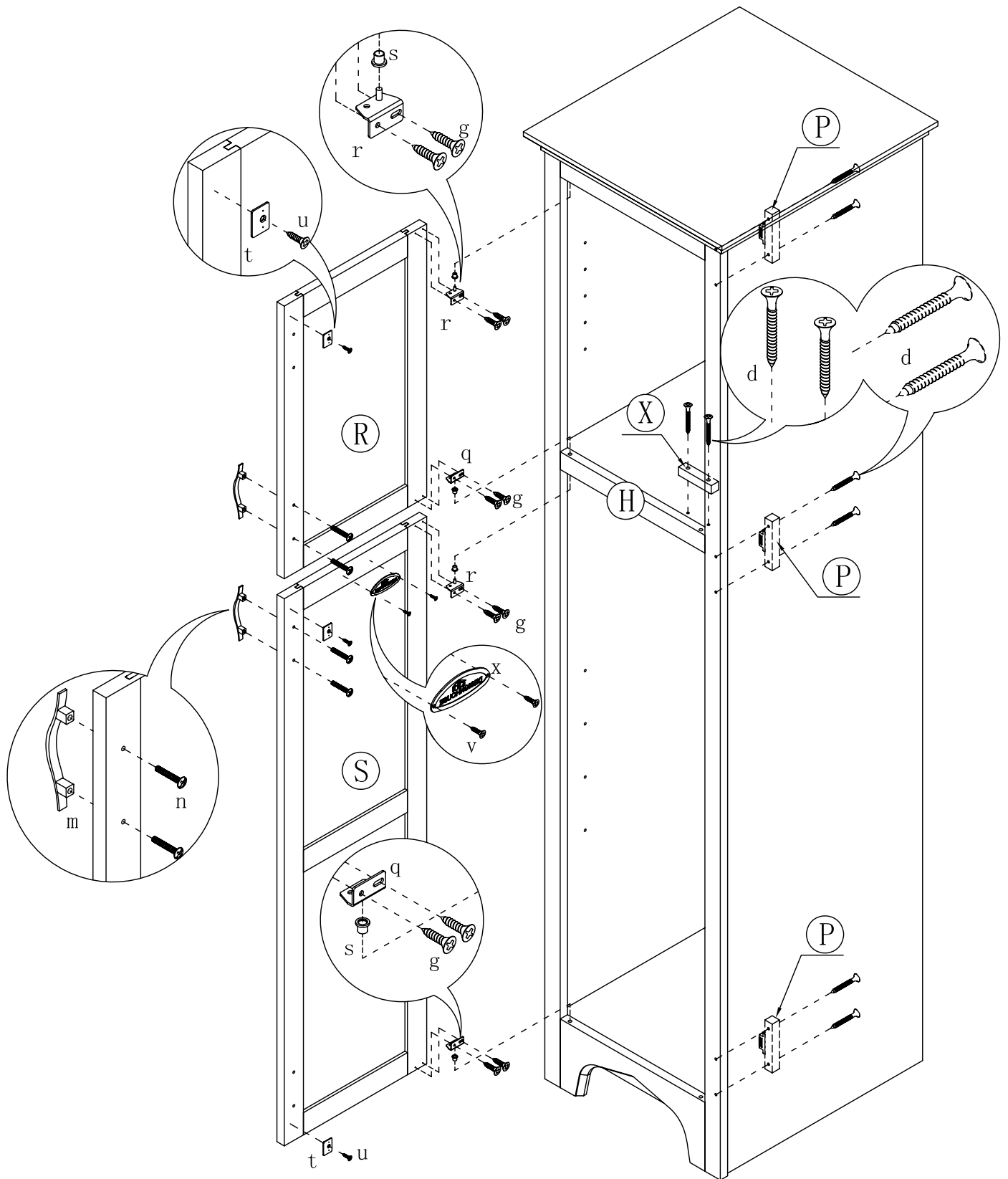
STEP 6



STEP 7

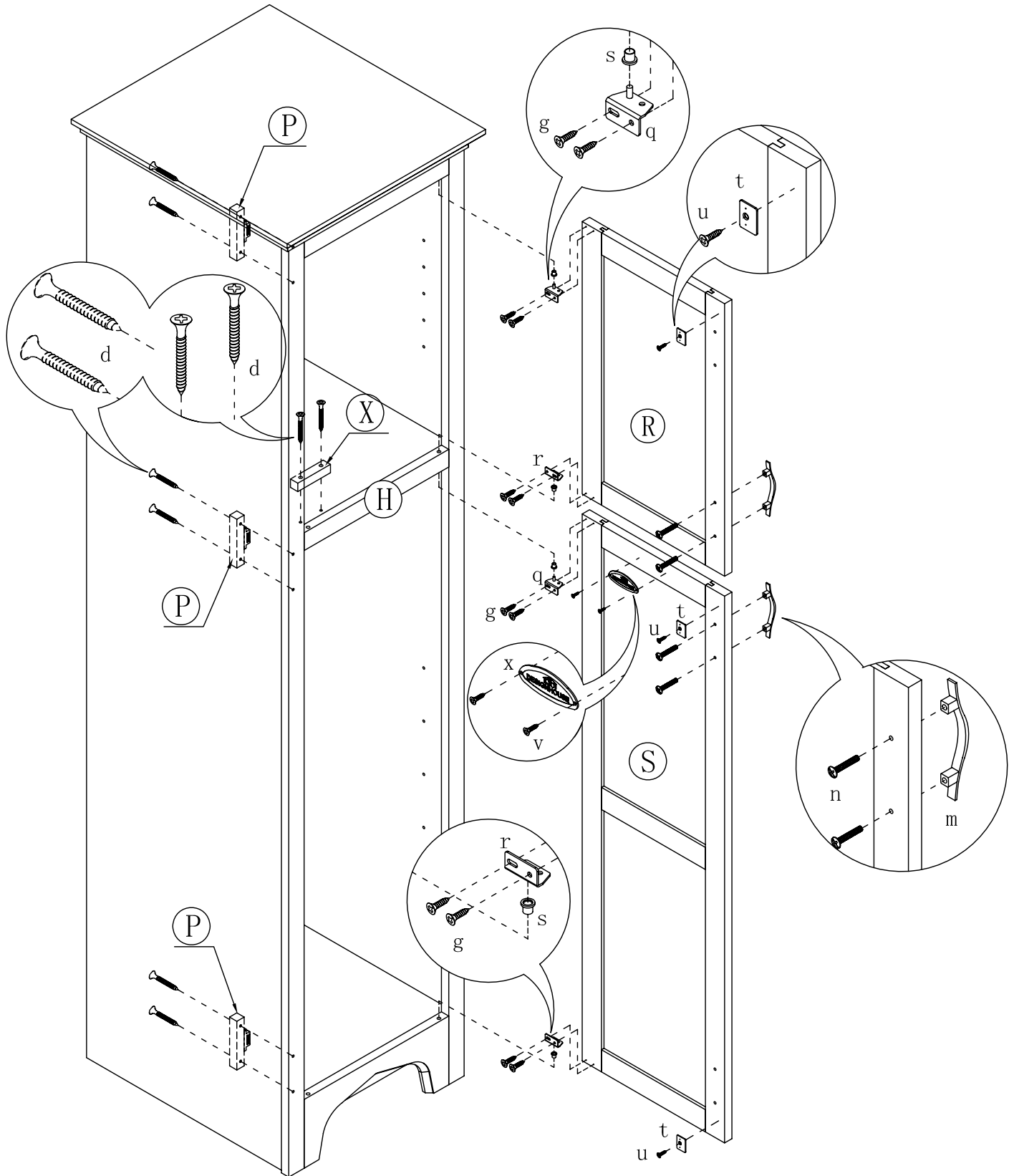


STEP 8



PLEASE FOLLOW STEPS 8 IF YOU
WOULD LIKE THE DOOR OPEN
FROM THE LEFT

STEP 9



PLEASE FOLLOW STEP9 IF YOU
WOULD LIKE THE DOOR OPEN FROM
THE RIGHT

STEP 10

