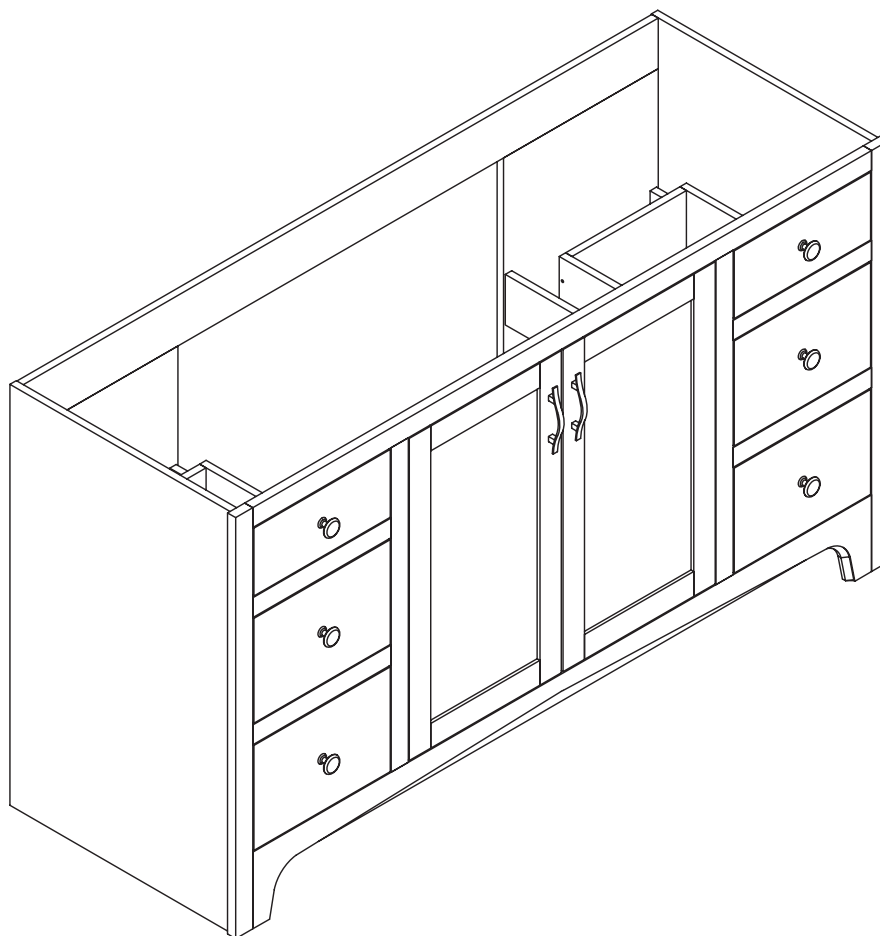




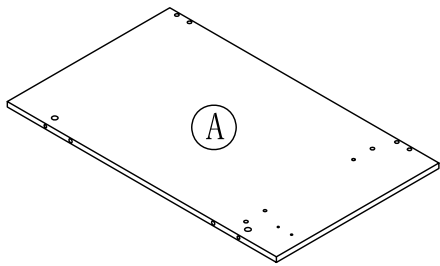
ADVANCED
GLOBAL COMMERCE



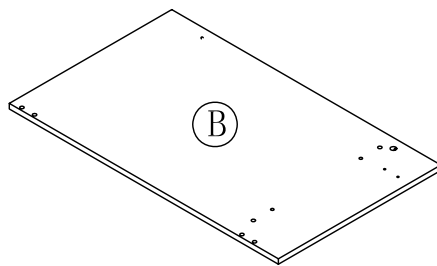
541292•541433

ASSEMBLY INSTRUCTIONS

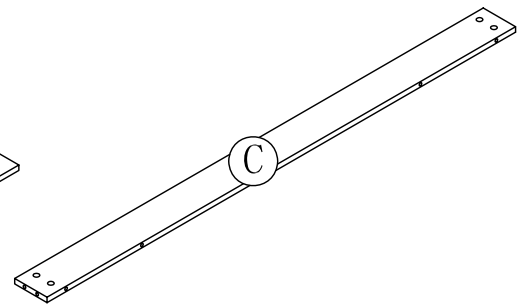
PARTS LIST:



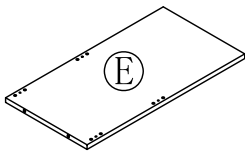
LEFT SIDE PANEL 1PC



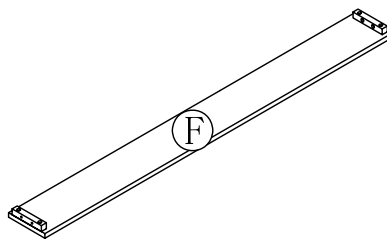
RIGHT SIDE PANEL 1PC



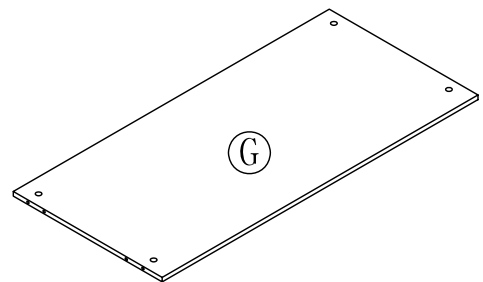
BACK CROSS BRACE 2PCS



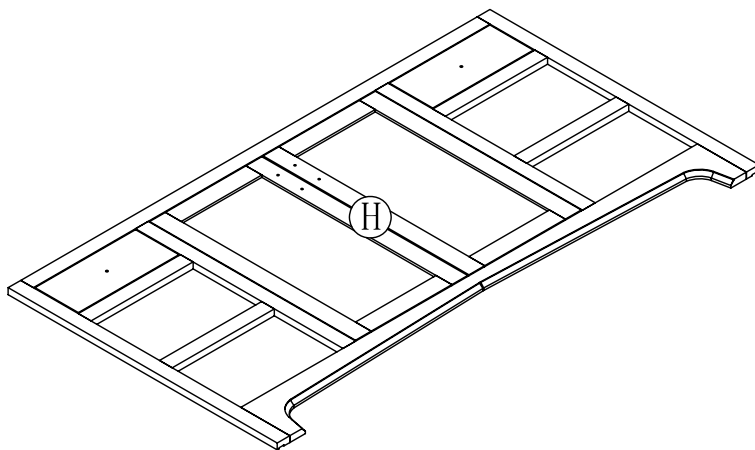
BACK PARTITION
PANEL 2PCS



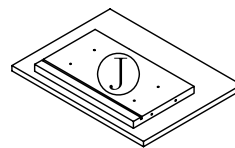
TOE KICK
PANEL 1PC



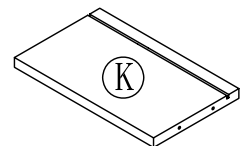
BOTTOM PANEL 1PC



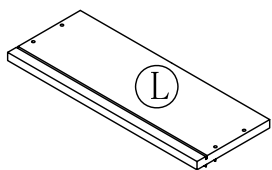
FRONT FRAME 1PC



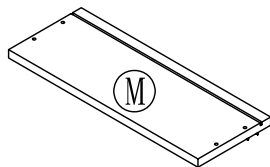
DRAWER FRONT
PANEL 4PCS



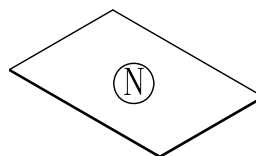
DRAWER BACK
PANEL 4PCS



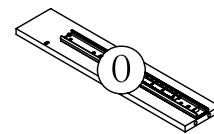
DRAWER LEFT SIDE
PANEL 4PCS



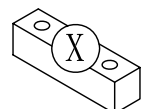
DRAWER RIGHT SIDE
PANEL 4PCS



DRAWER BOTTOM
PANEL 4PCS



SUPPORT
PANEL 8PCS

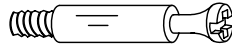


STOPPER 1PC

HARDWARE LIST:



a. WOOD DOWEL 48PCS



b. CAM LOCK SCREW
16PCS



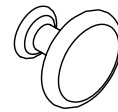
c. CAM LOCK 16PCS



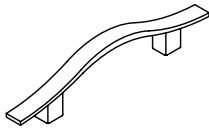
d. 1" L FLAT HEAD
SCREW 14PCS



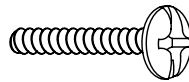
e. 1-1/2" L FLAT HEAD
SCREW 32PCS



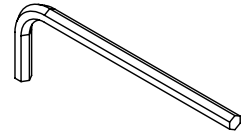
l. KNOB 6PCS



m. HANDLE 2PCS



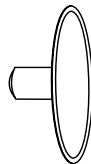
n. HANDLE (KNOB)
BOLT 10PCS



o. WRENCH 1PC

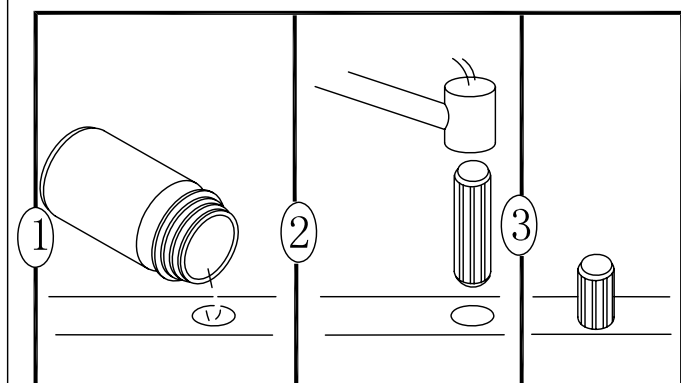
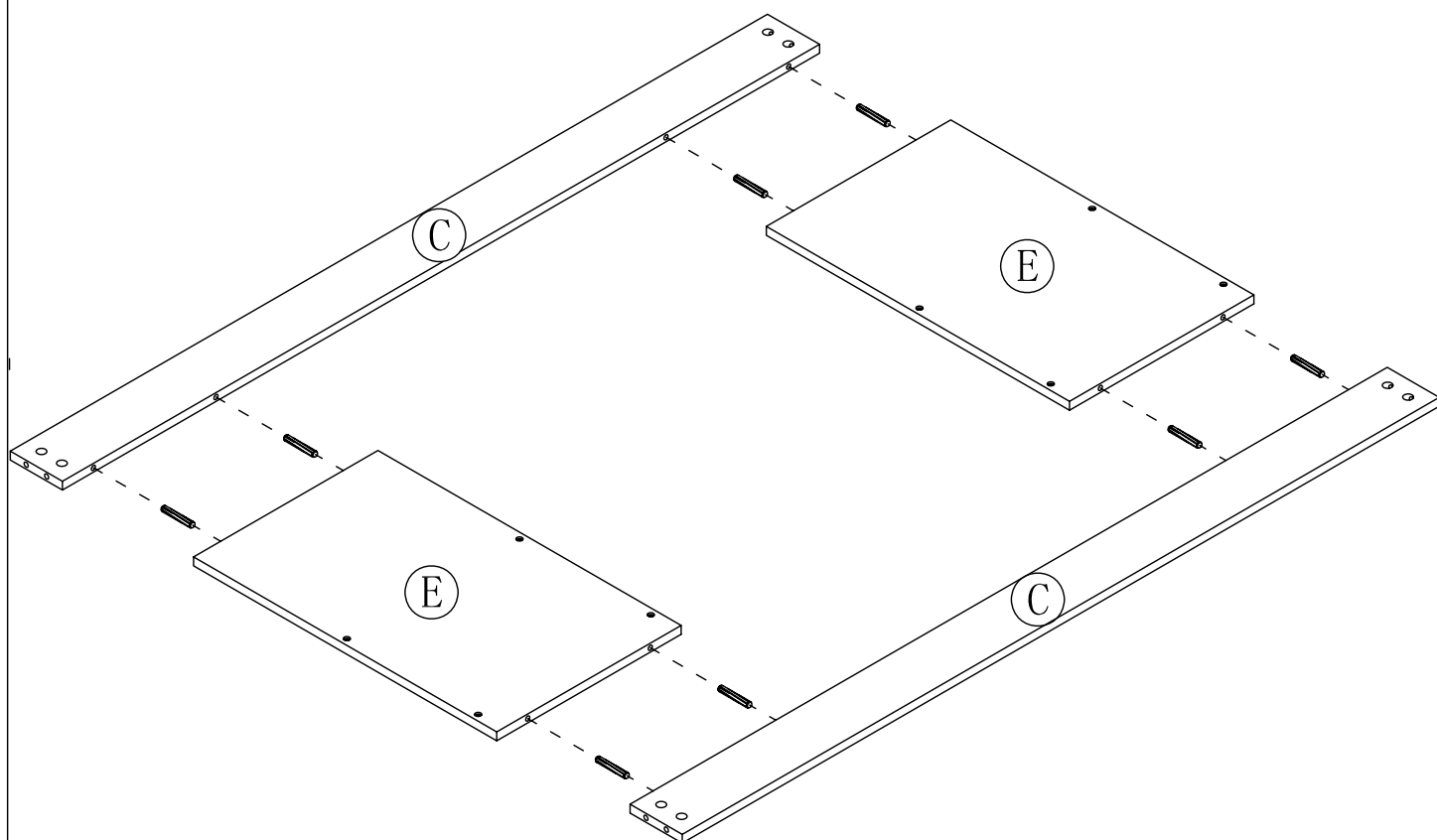


p. GLUE 1PC

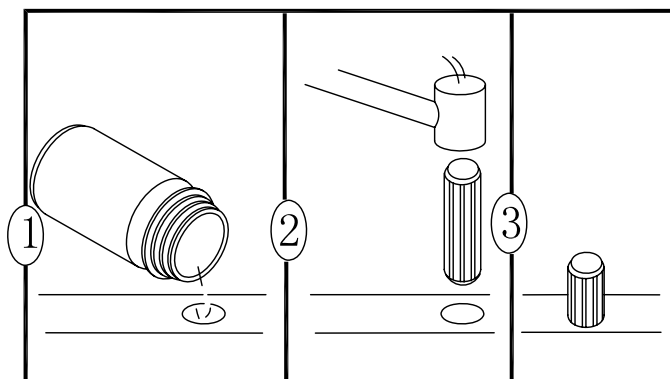
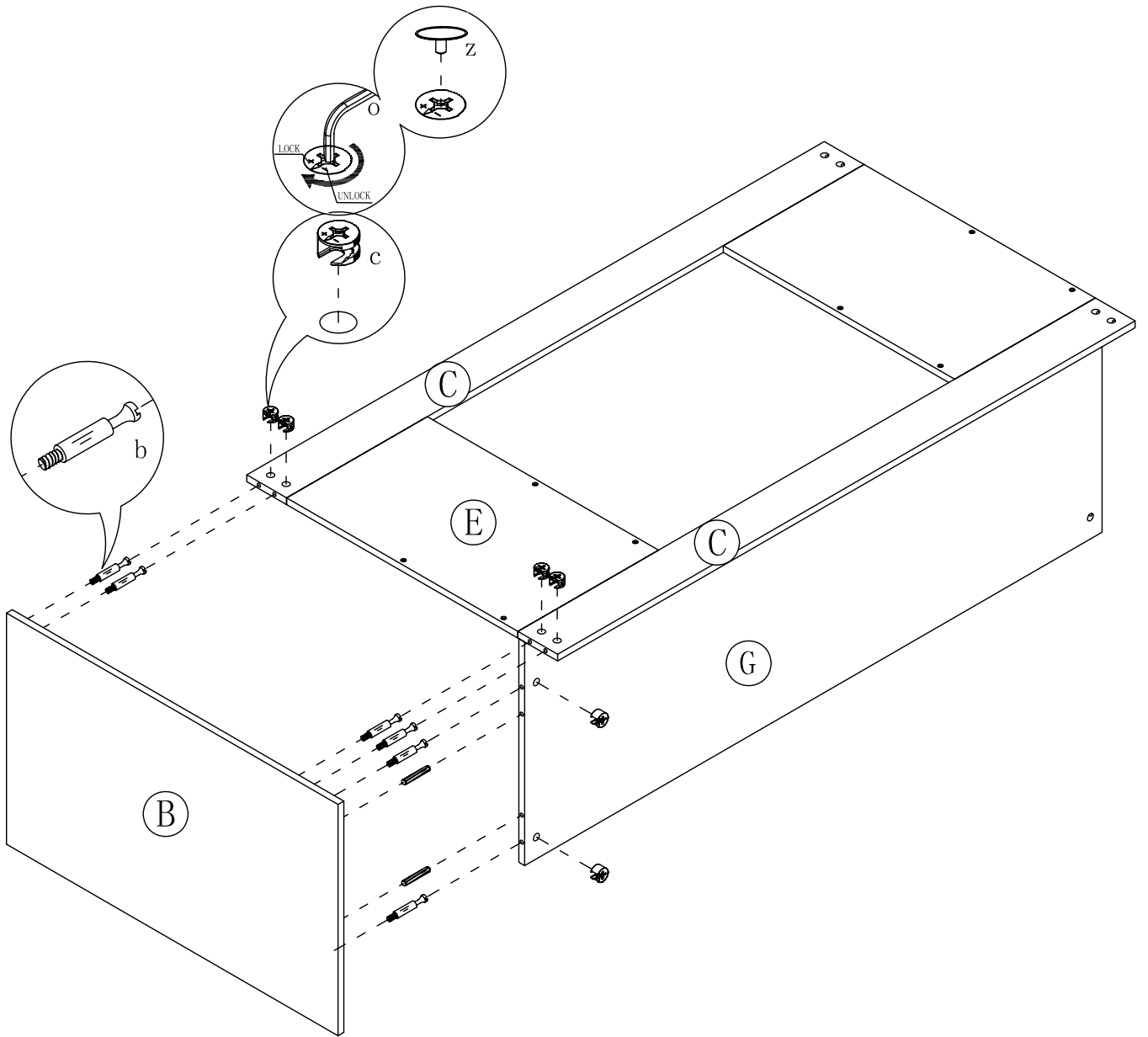


z. PLASTIC COVER 16PCS

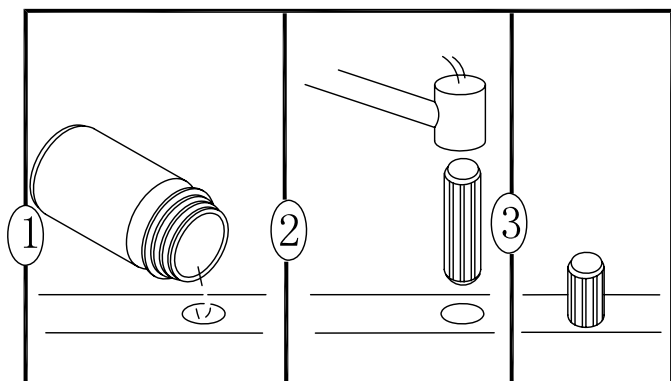
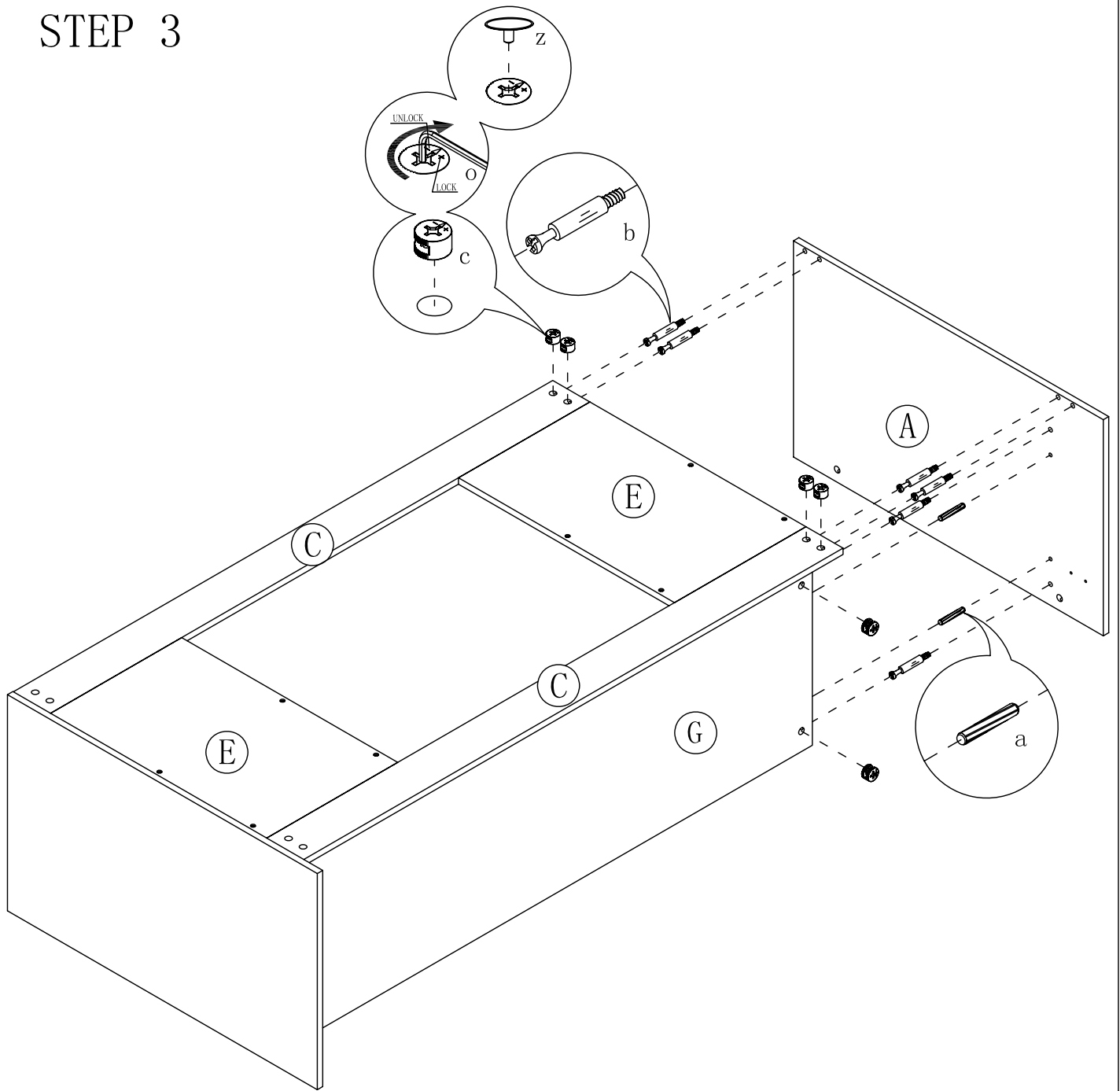
STEP 1



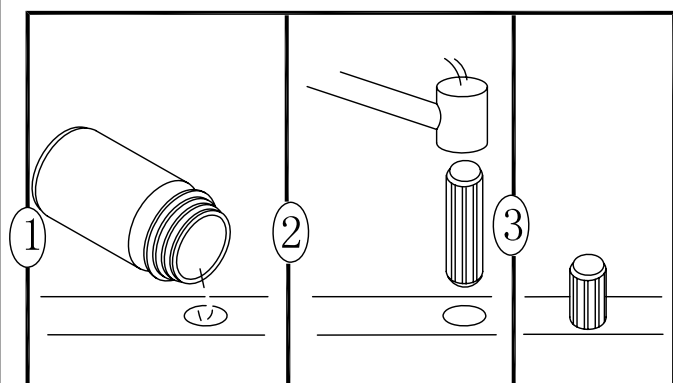
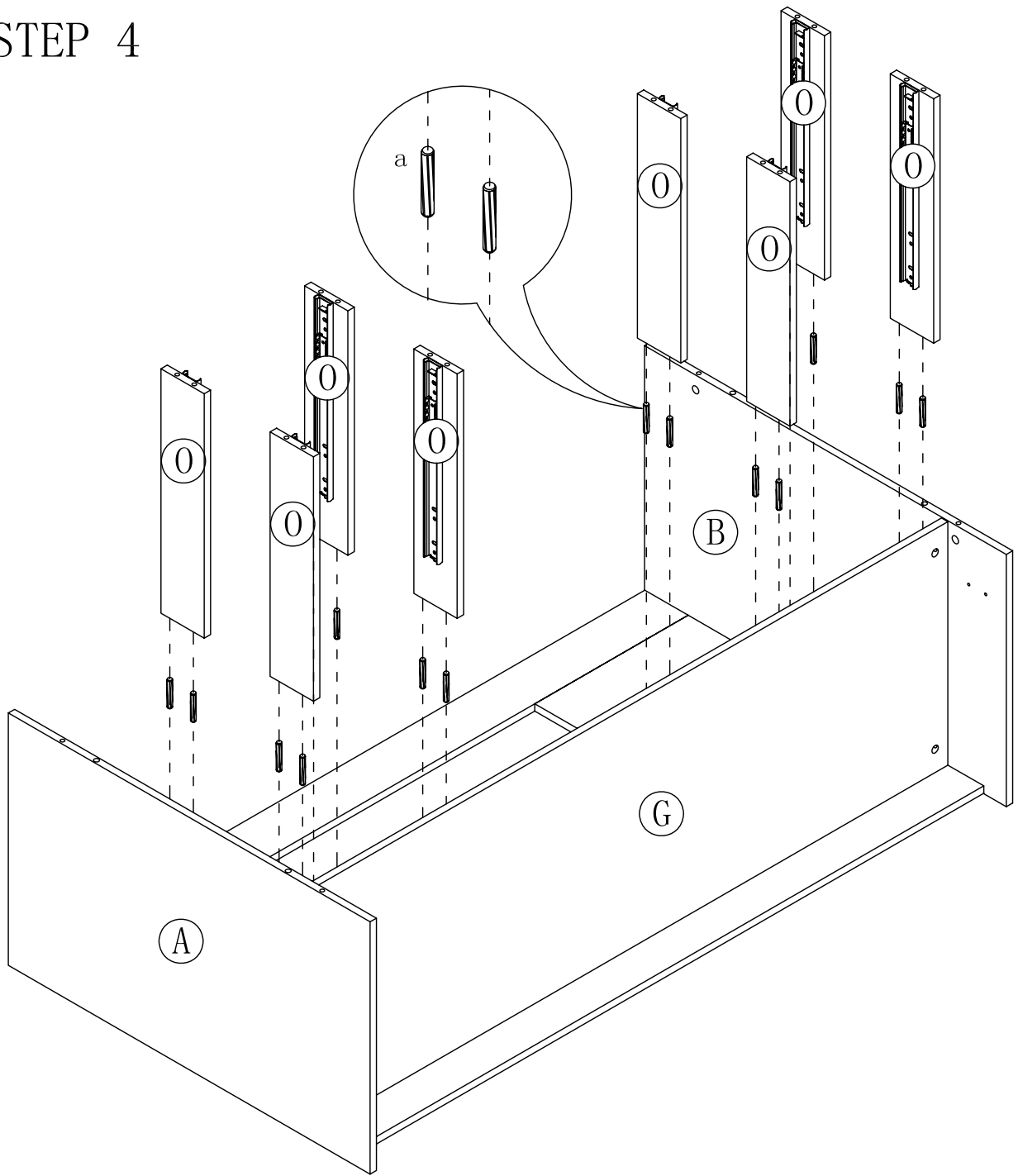
STEP 2



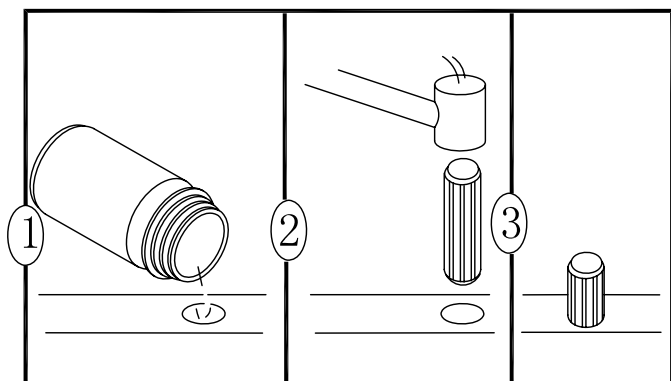
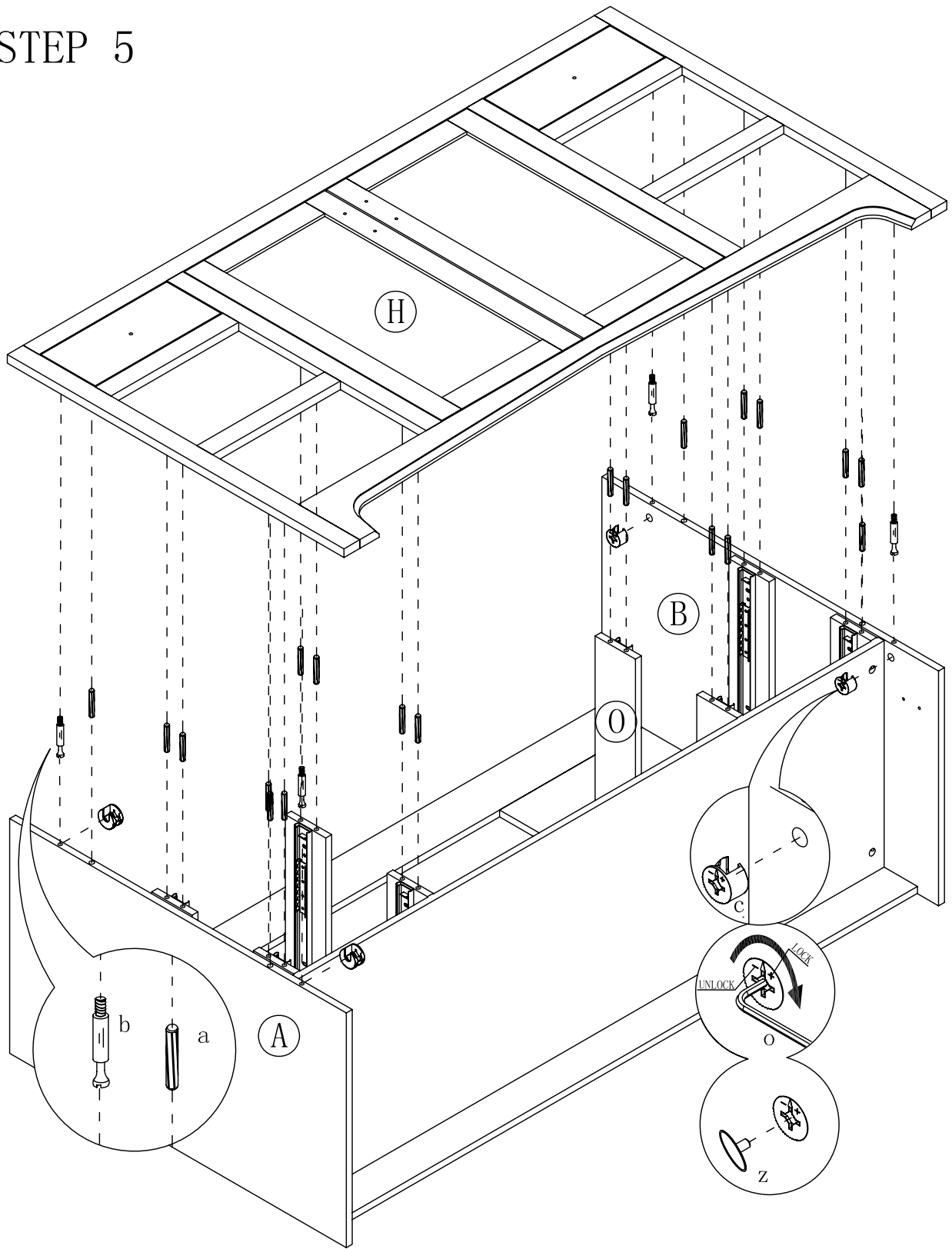
STEP 3



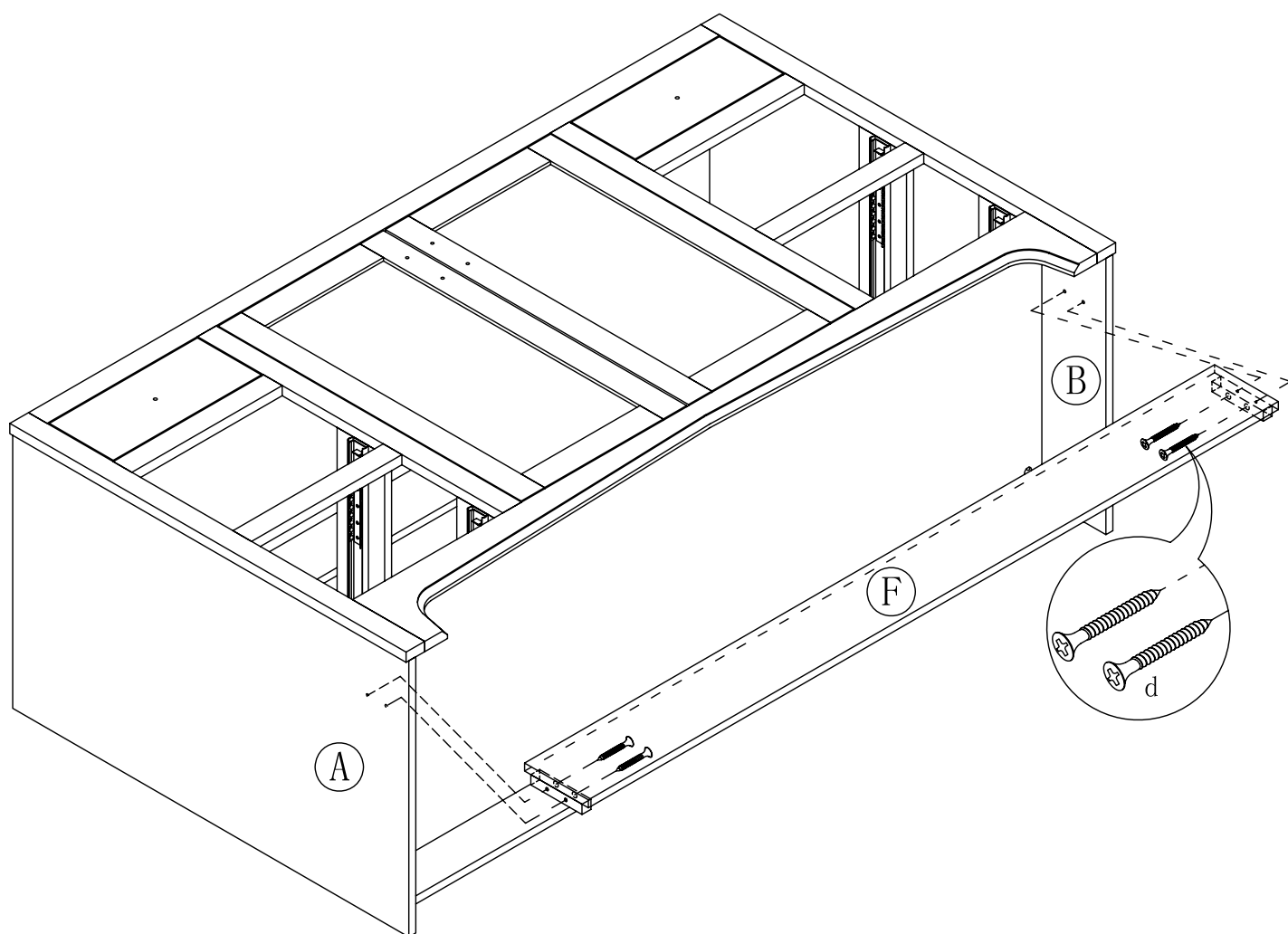
STEP 4



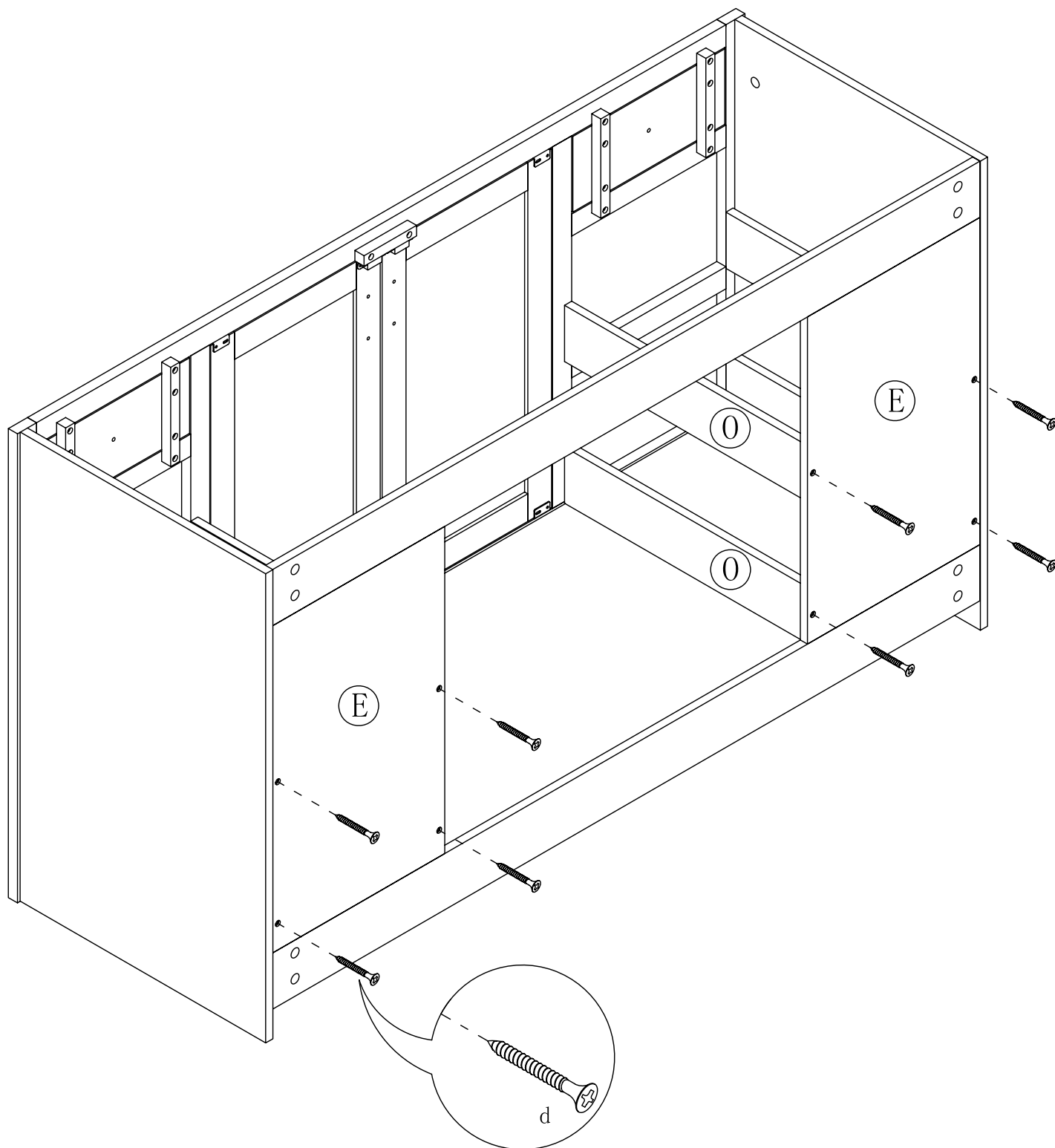
STEP 5



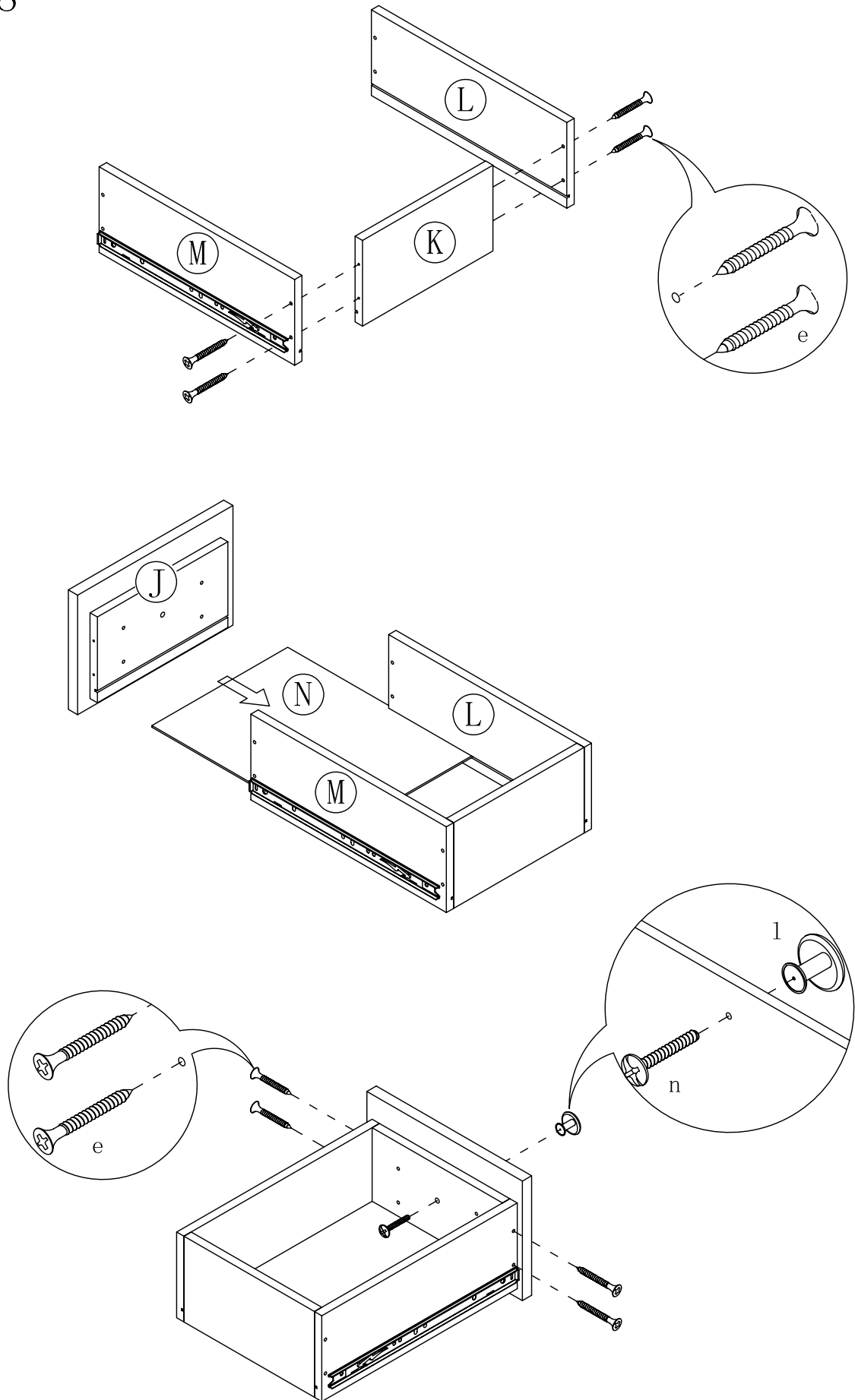
STEP 6



STEP 7



STEP 8



STEP 9

