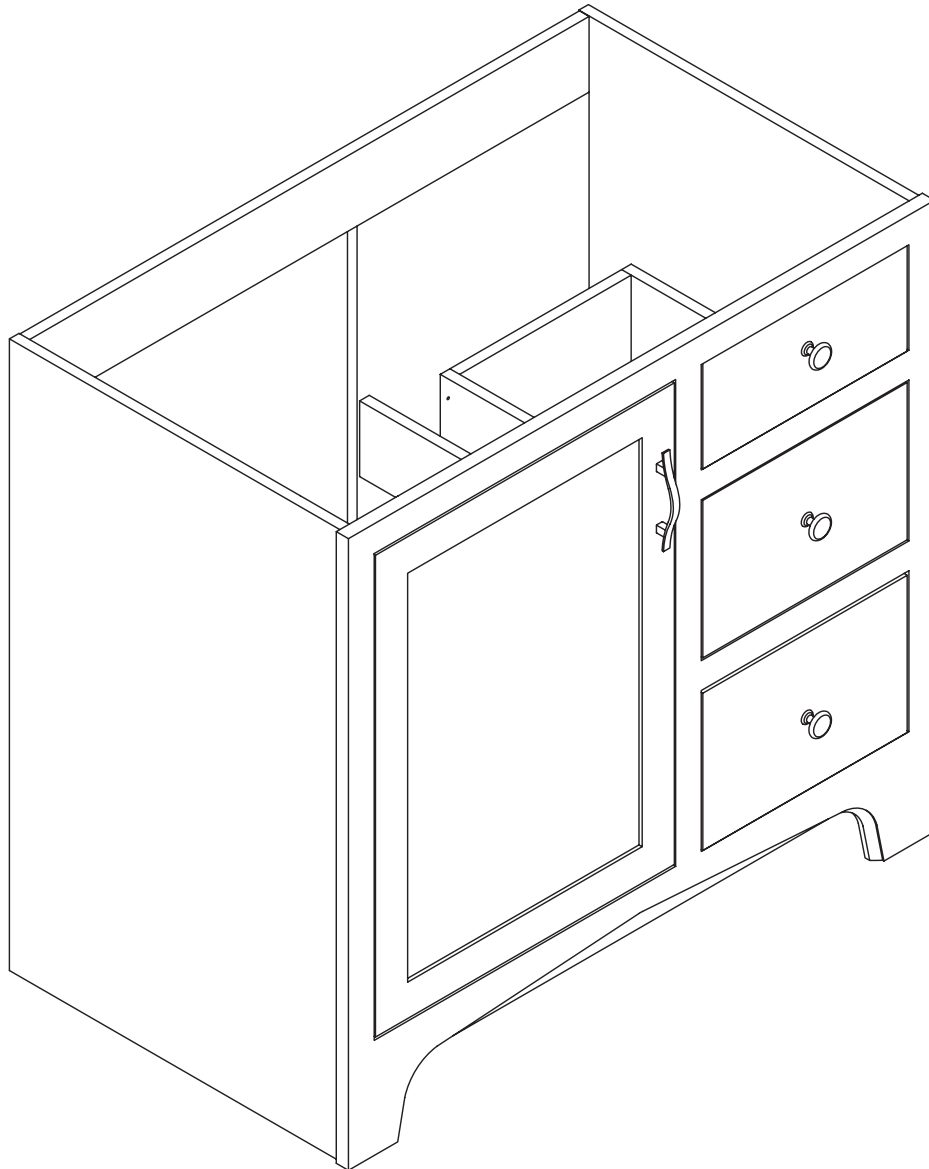




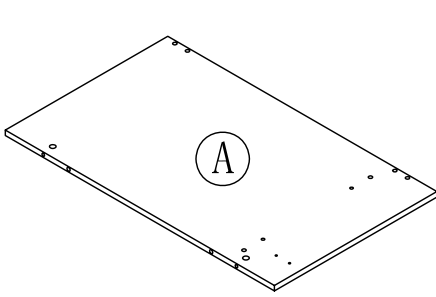
ADVANCED
GLOBAL COMMERCE



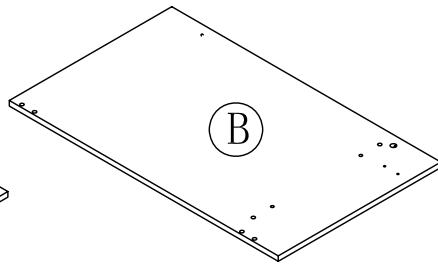
541284•541425

ASSEMBLY INSTRUCTIONS

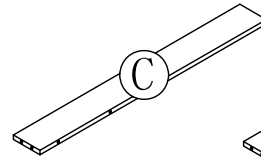
PARTS LIST:



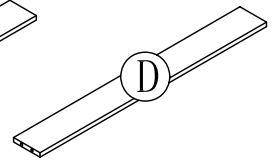
LEFT SIDE
PANEL 1PC



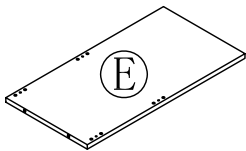
RIGHT SIDE
PANEL 1PC



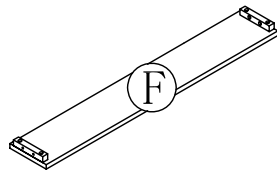
BACK UP CROSS
BRACE 1PC



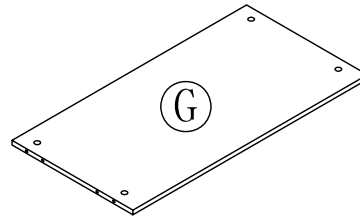
BACK DOWN CROSS
BRACE 1PC



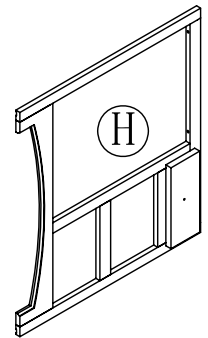
BACK PARTITION
PANEL 1PC



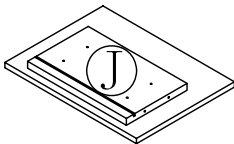
TOE KICK
PANEL 1PC



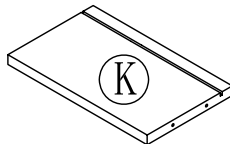
BOTTOM PANEL 1PC



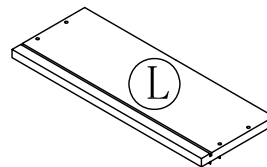
FRONT FRAME 1PC



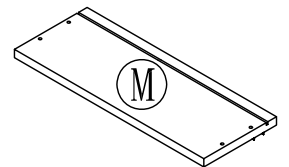
DRAWER FRONT
PANEL 2PCS



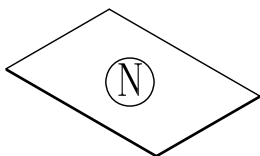
DRAWER BACK
PANEL 2PCS



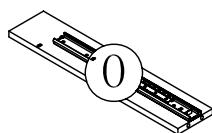
DRAWER LEFT SIDE
PANEL 2PCS



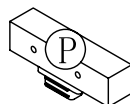
DRAWER RIGHT
SIDE PANEL 2PCS



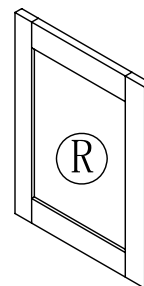
DRAWER BOTTOM
PANEL 2PCS



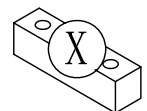
SUPPORT
PANEL 4PCS



MAGNET 1PC



DOOR 1PC

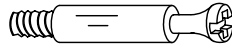


STOPPER 1PC

HARDWARE LIST:



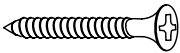
a. WOOD DOWEL 28PCS



b. CAM LOCK SCREW
16PCS



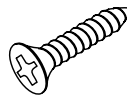
c. CAM LOCK 16PCS



d. 1" L FLAT HEAD
SCREW 12PCS



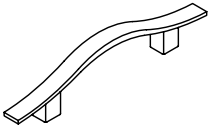
e. 1-1/2" L FLAT HEAD
SCREW 16PCS



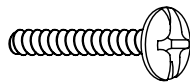
g. 1/2" L FLAT HEAD
SCREW (FOR HINGE) 4PCS



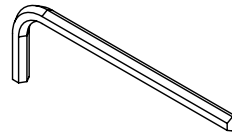
l. KNOB 3PCS



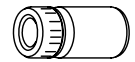
m. HANDLE 1PC



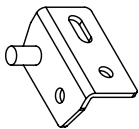
n. HANDLE (KNOB)
BOLT 5PCS



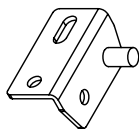
o. WRENCH 1PC



p. GLUE 1PC



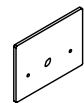
q. HINGE (1) 1PC



r. HINGE (2) 1PC



s. PLASTIC PLUG
(FOR HINGE) 2PCS



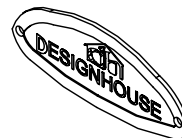
t. METAL
PLATE 1PC



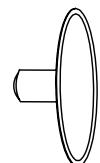
u. 3/8" L FLAT HEAD
SCREW 1PC



v. SMALL FLAT HEAD
SCREW (FOR LOGO) 2PCS

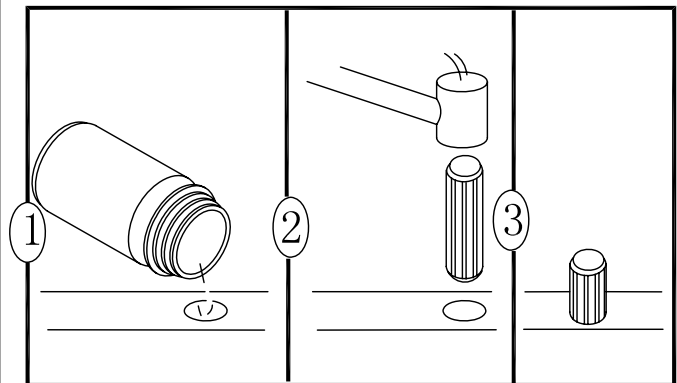
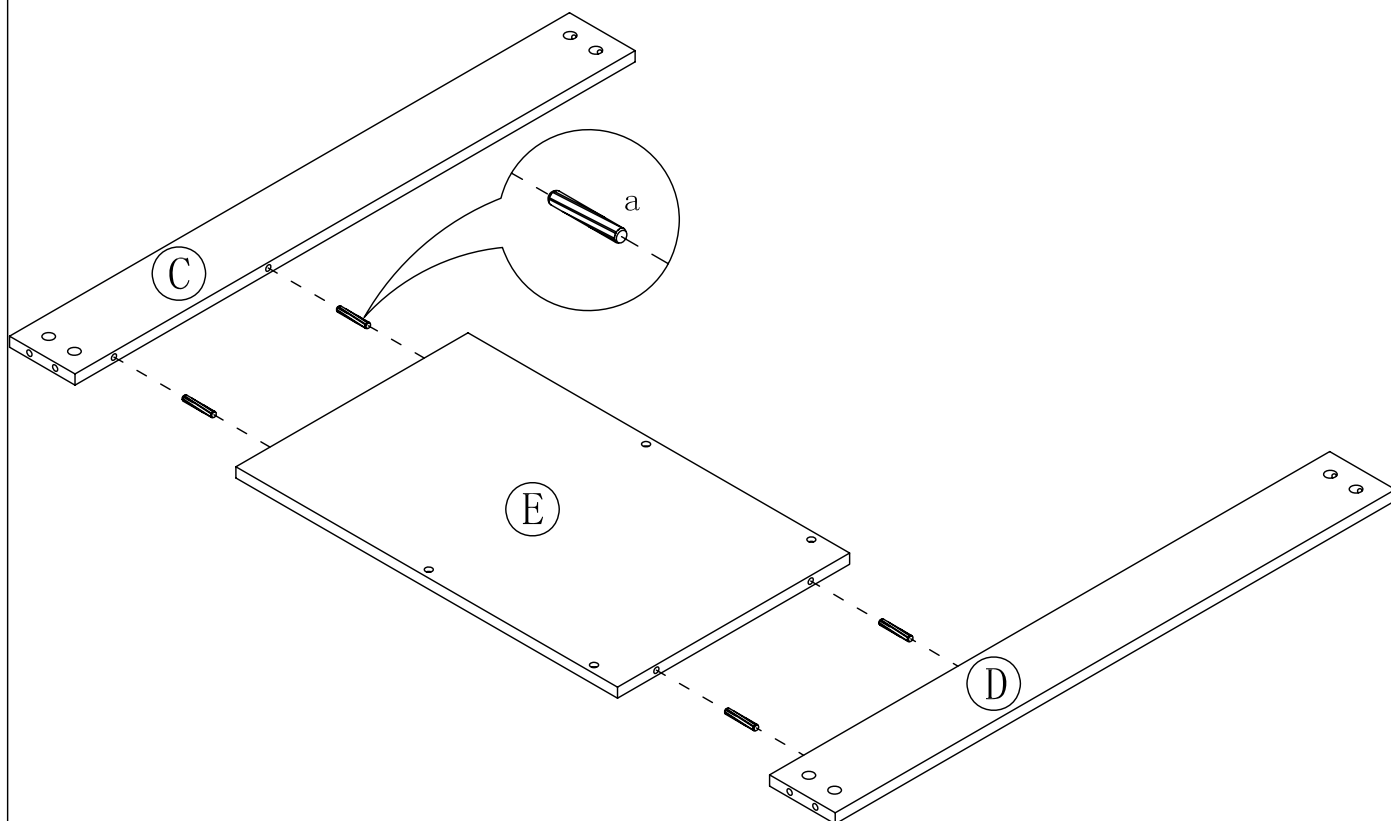


x. LOGO 1PC

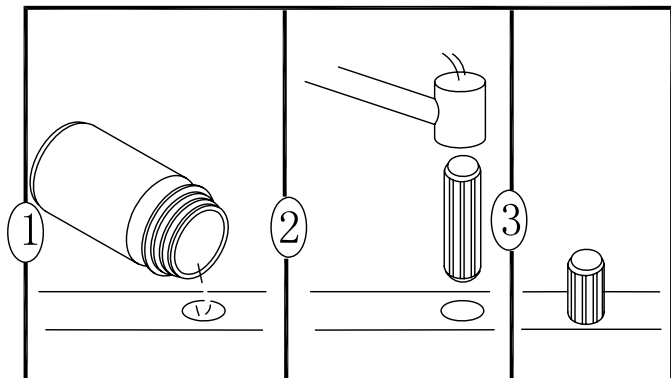
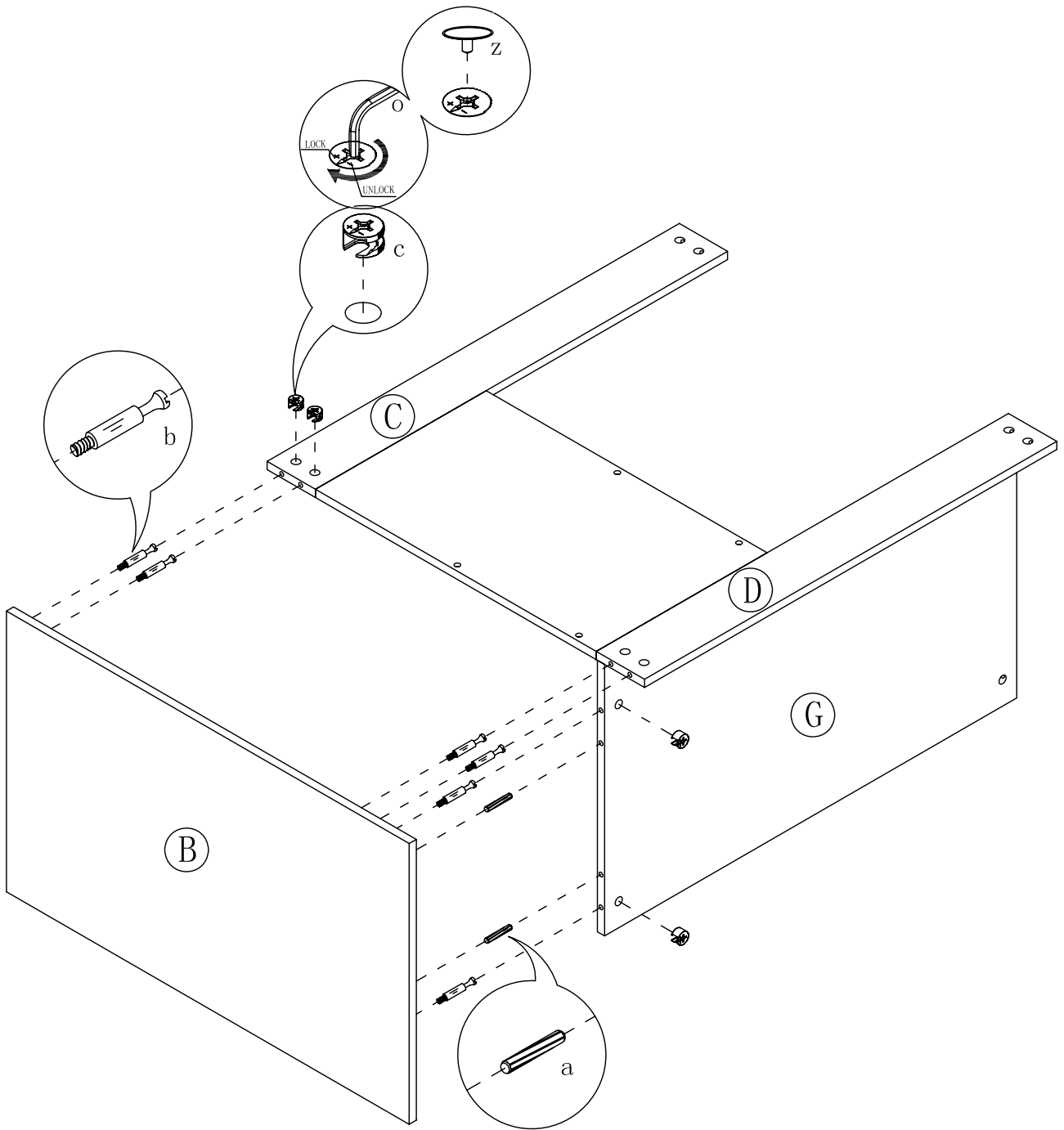


z. PLASTIC COVER
16PCS

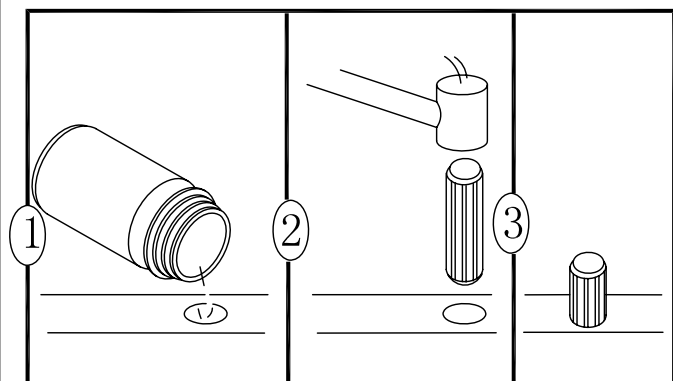
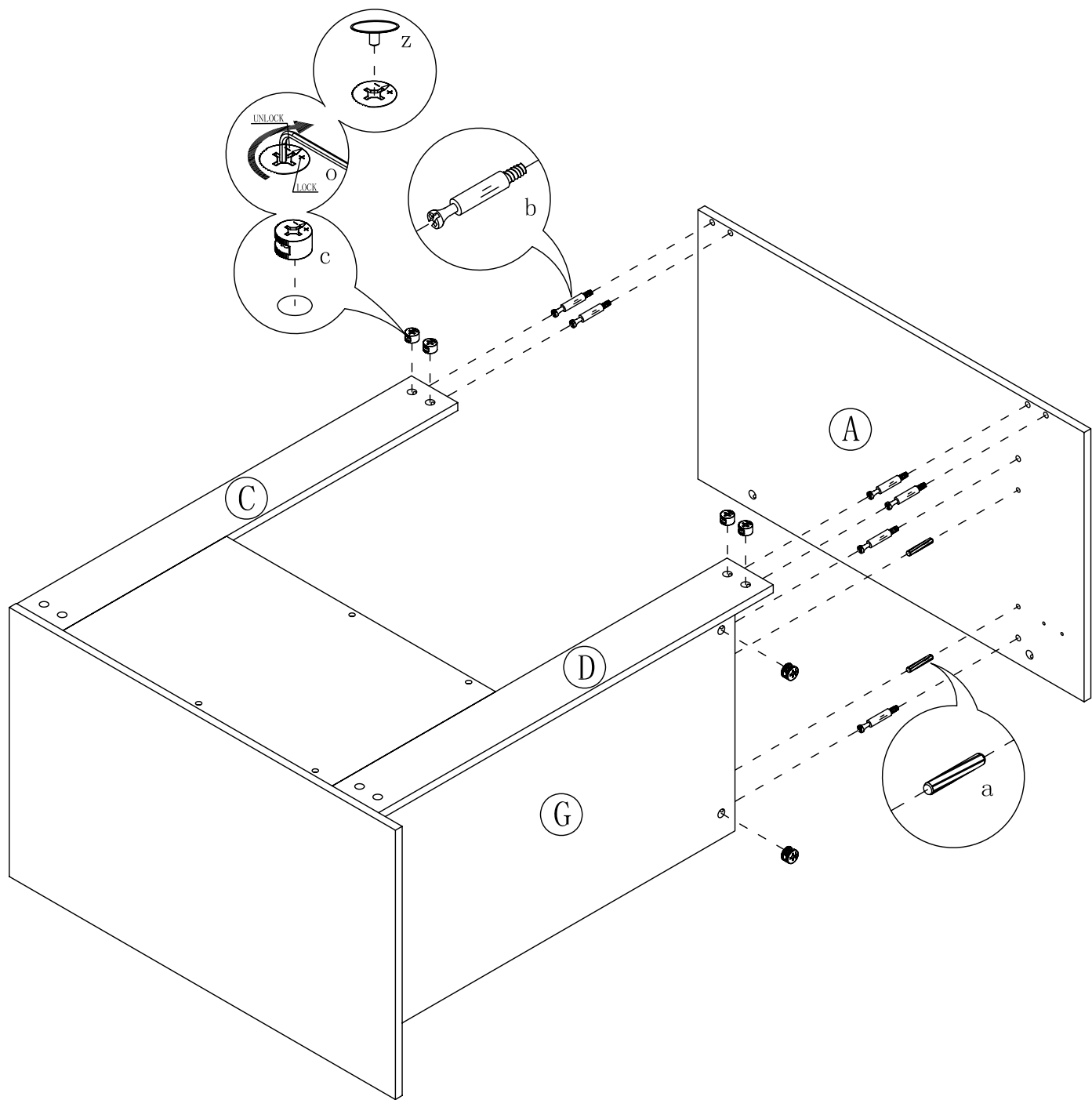
STEP 1



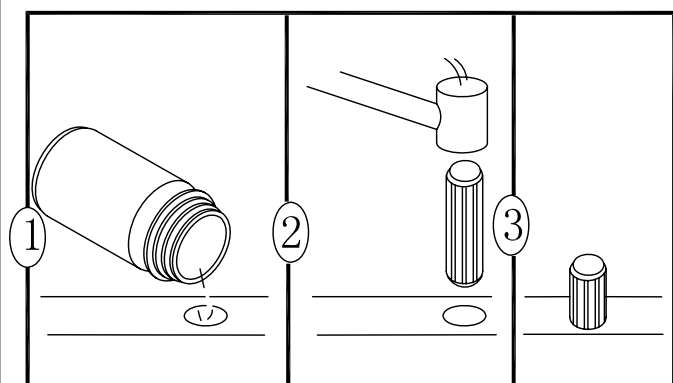
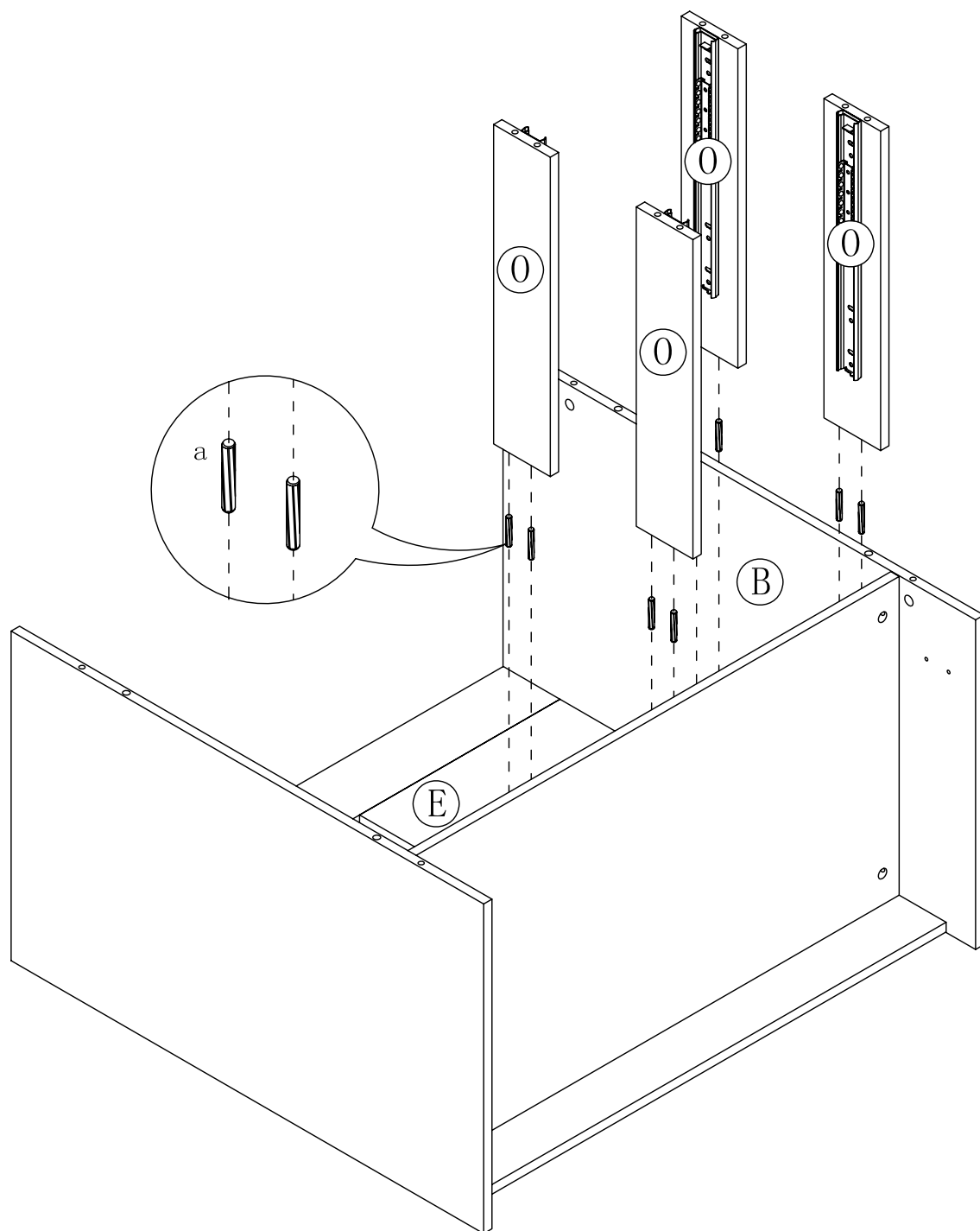
STEP 2



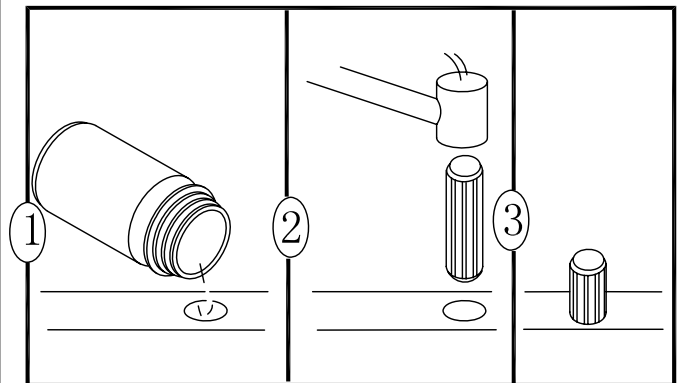
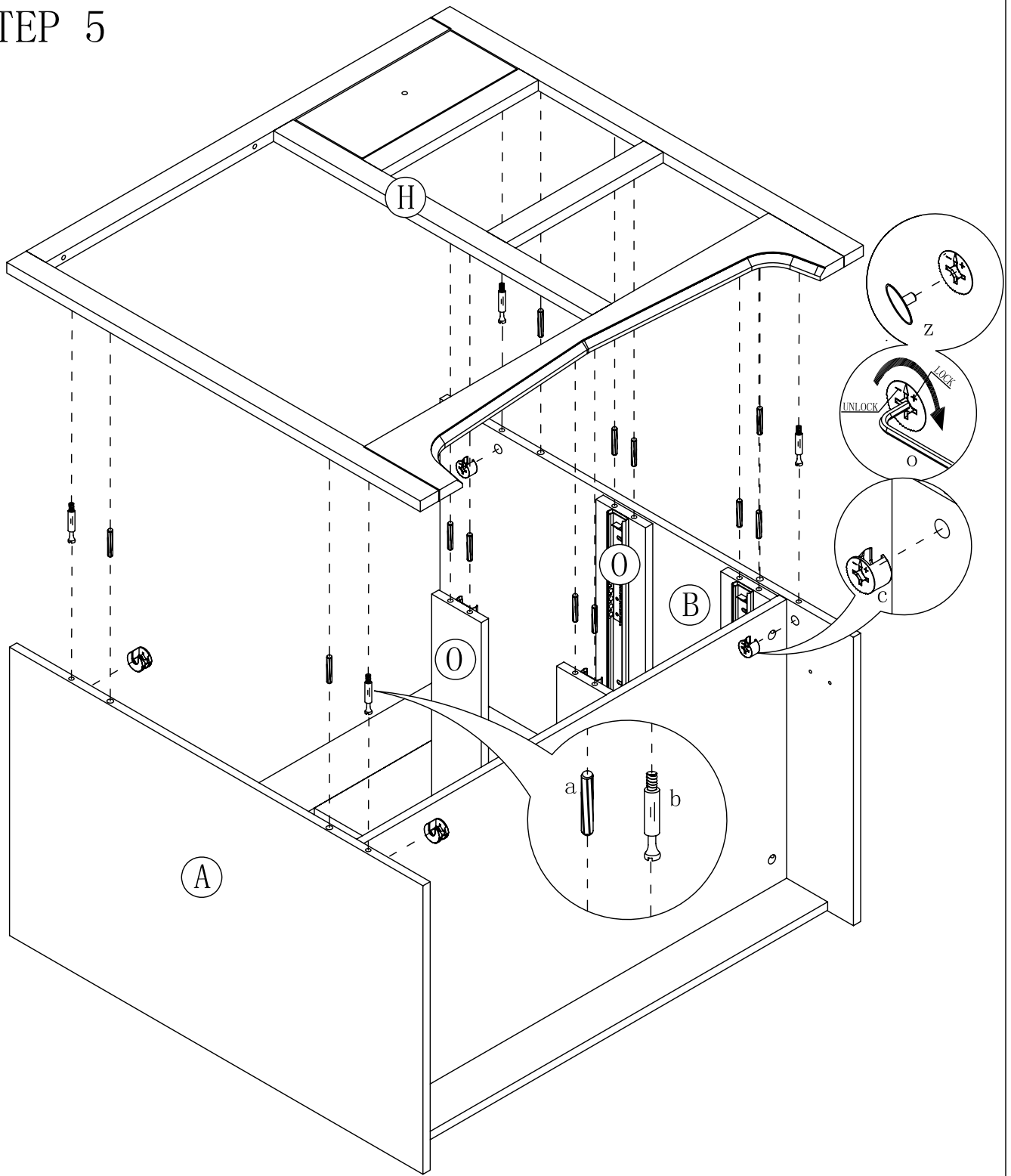
STEP 3



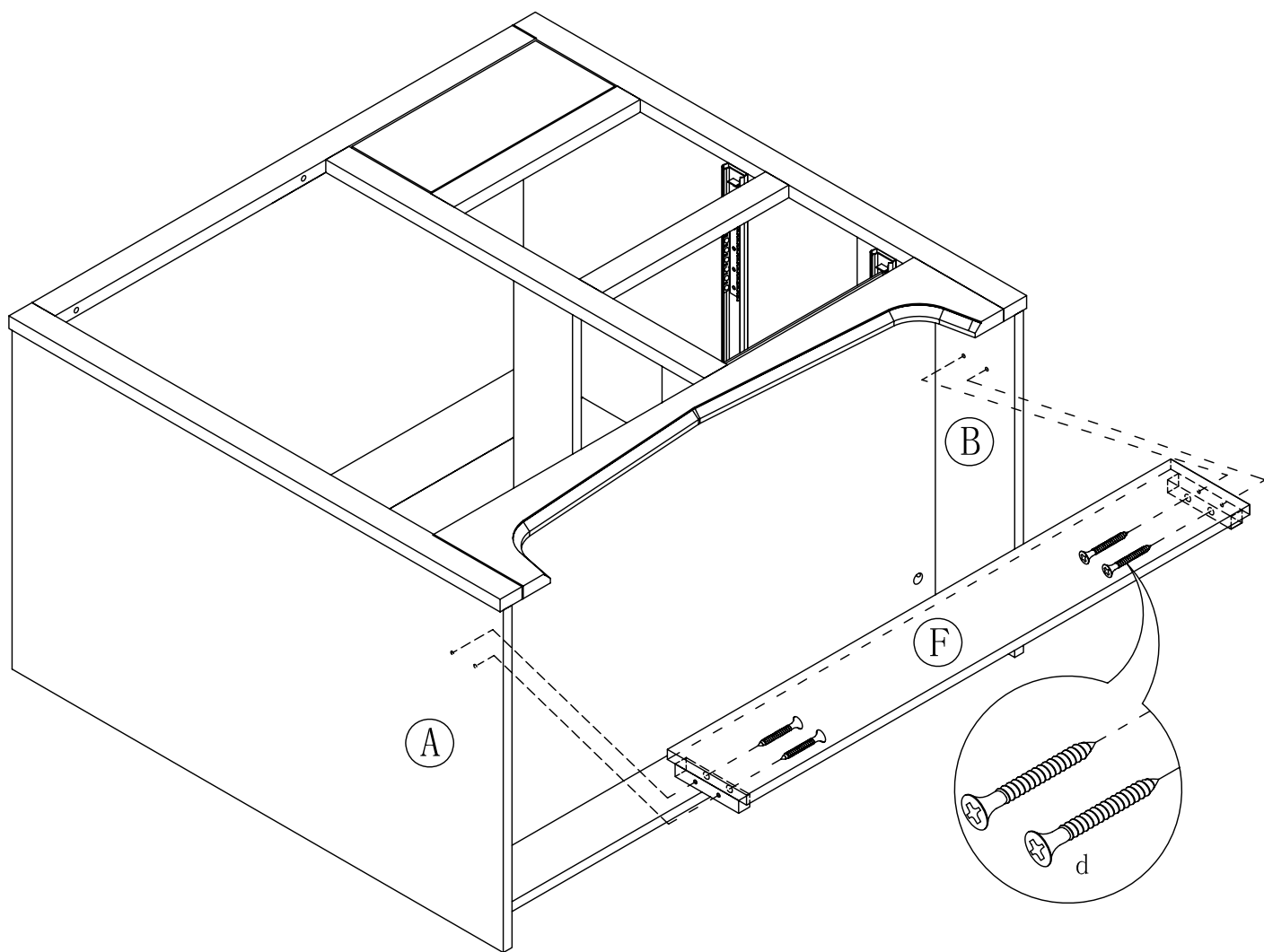
STEP 4



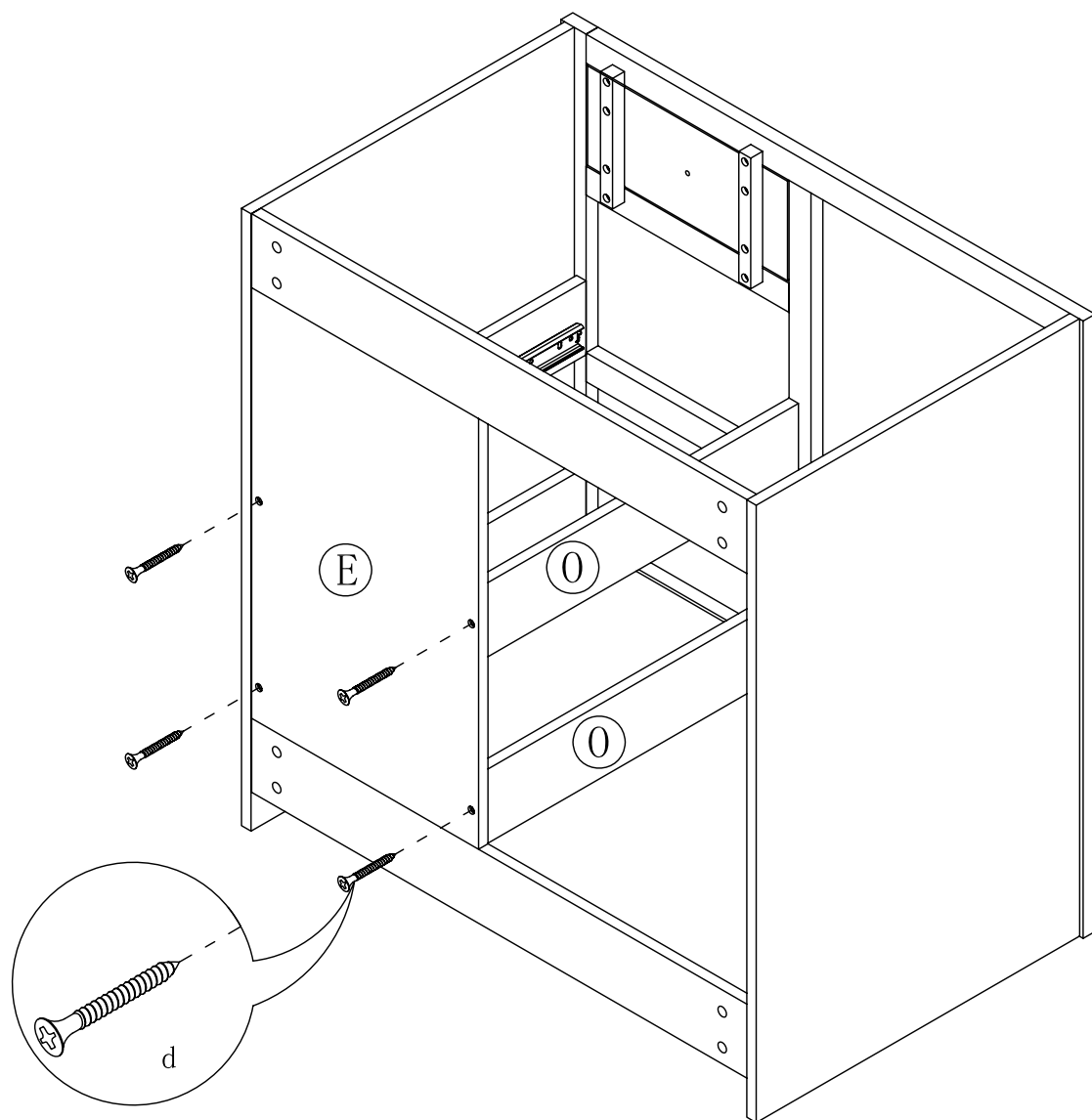
STEP 5



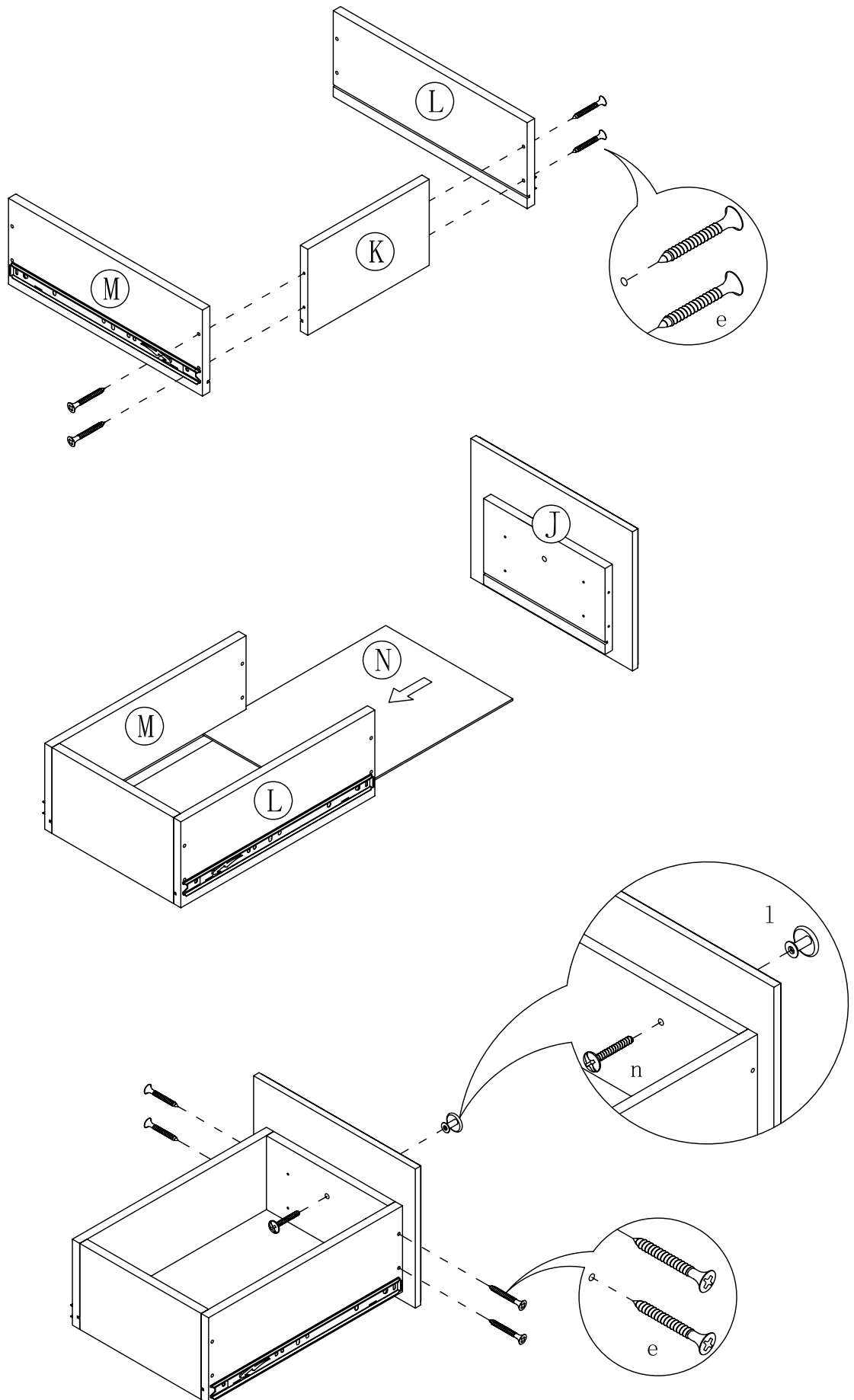
STEP 6



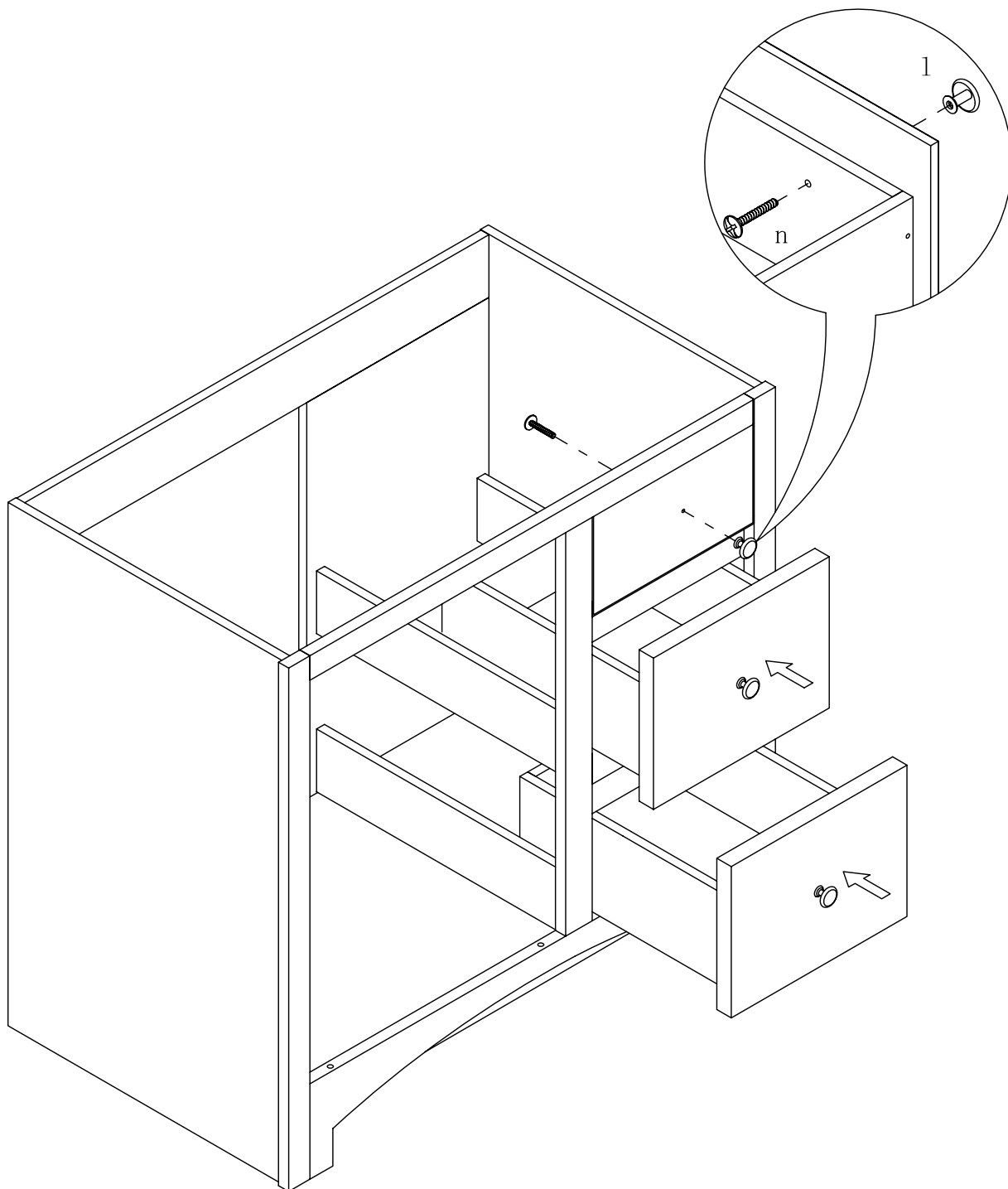
STEP 7



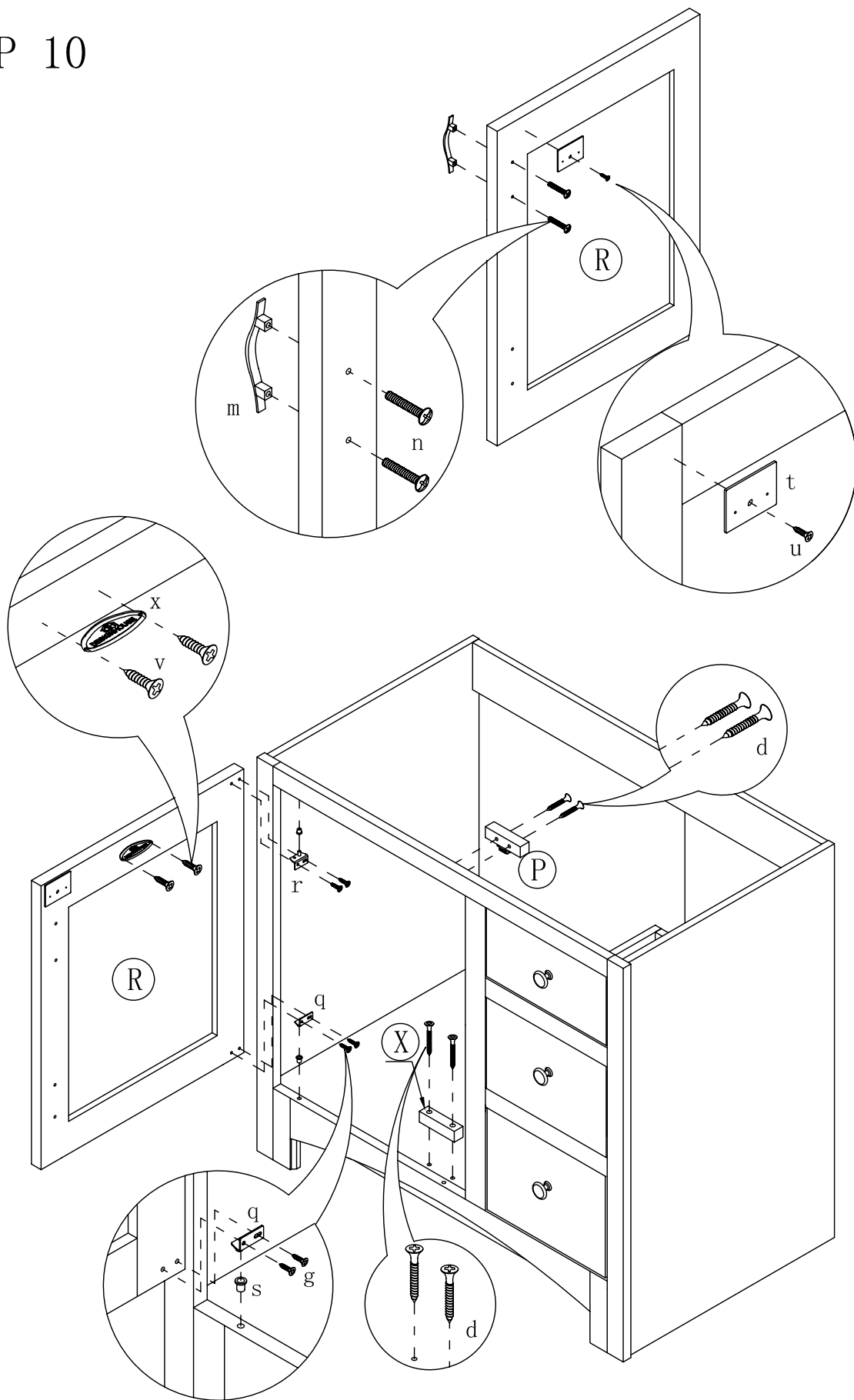
STEP 8



STEP 9

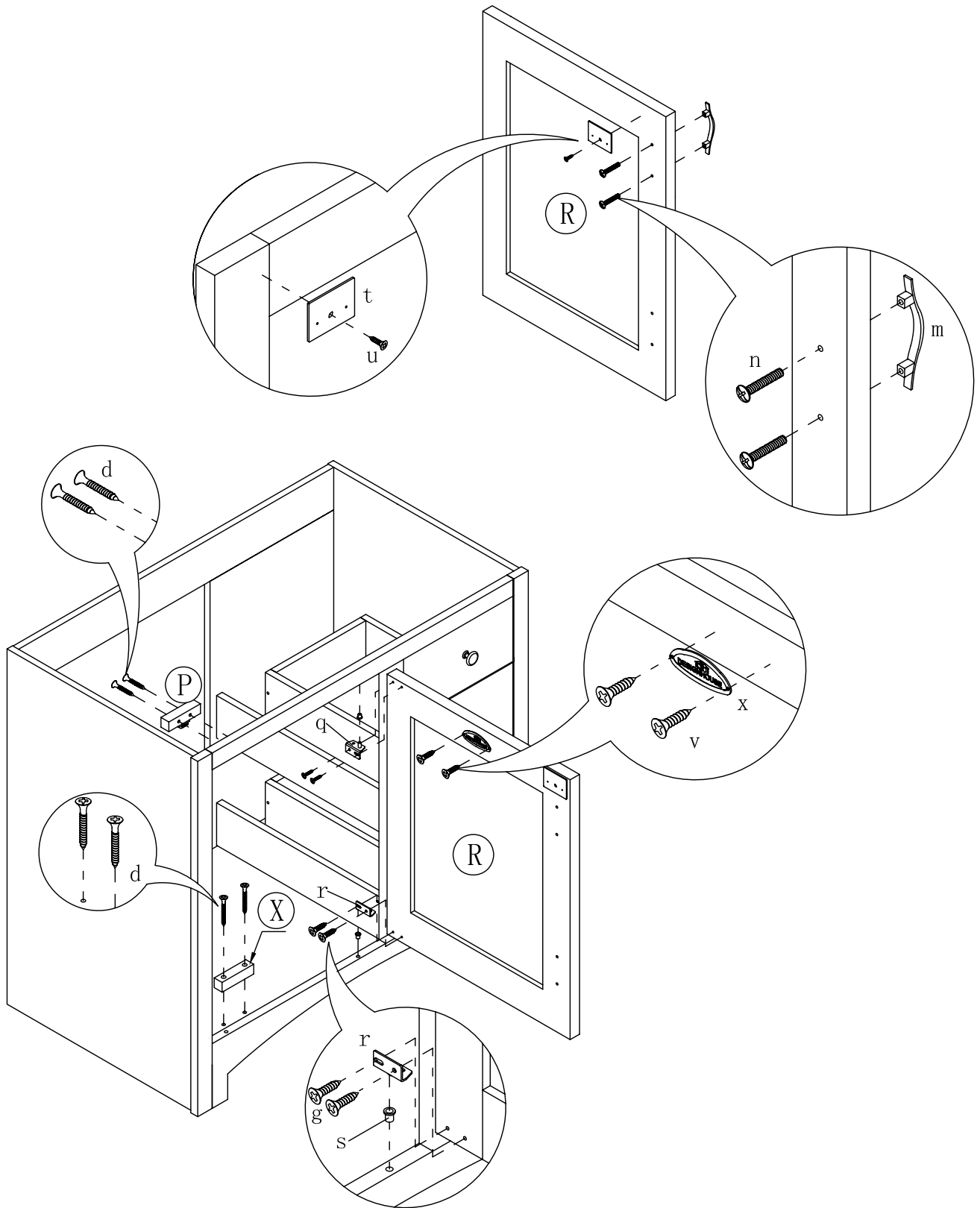


STEP 10



PLEASE FOLLOW STEP 10 IF YOU WOULD LIKE THE DOOR OPEN FROM THE LEFT

STEP 11



PLEASE FOLLOW STEP 11 IF YOU WOULD LIKE THE DOOR OPEN FROM THE RIGHT