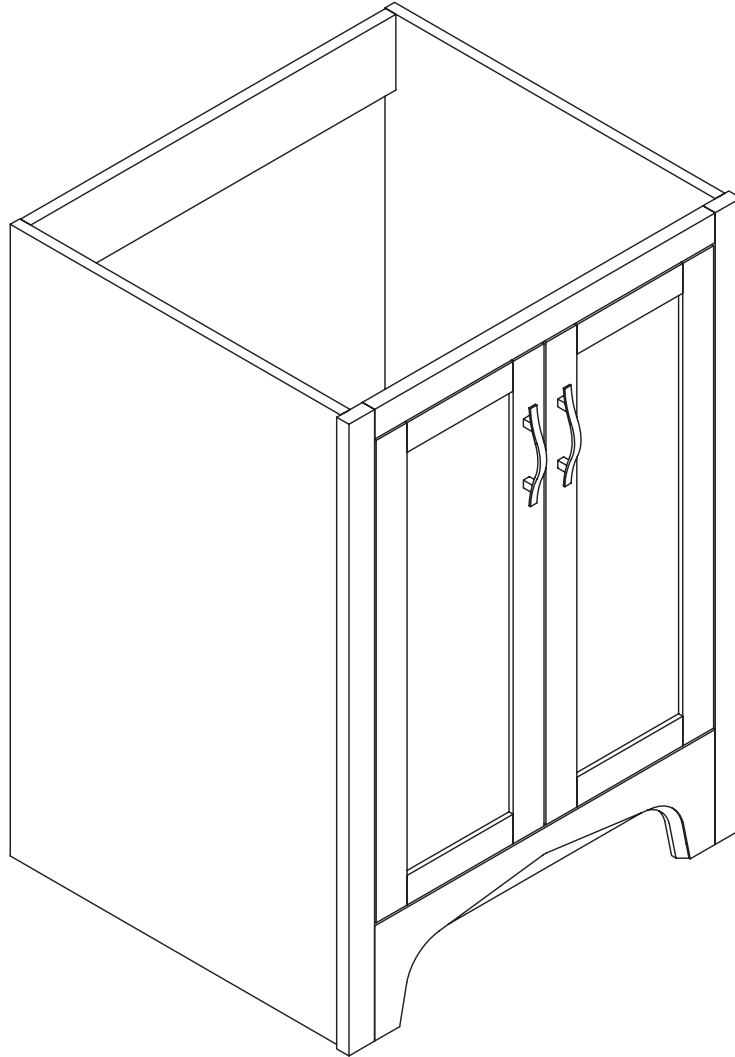




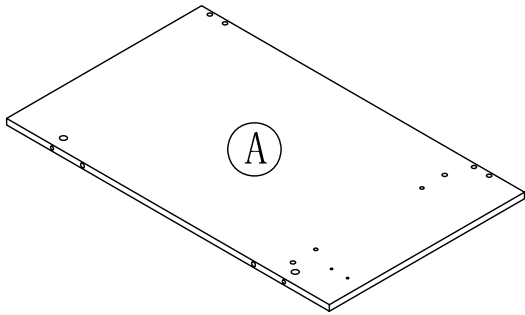
ADVANCED
GLOBAL COMMERCE



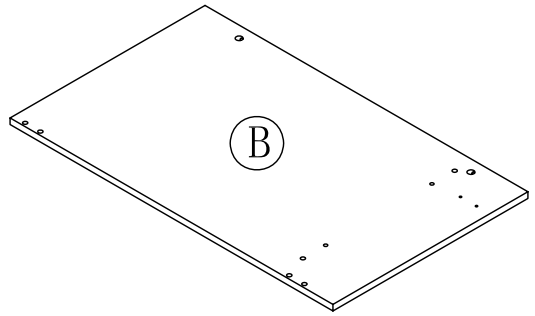
541227•541243•541268
541235•541250•541276

ASSEMBLY INSTRUCTIONS

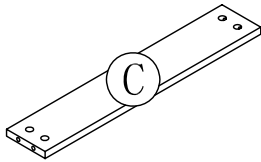
PARTS LIST:



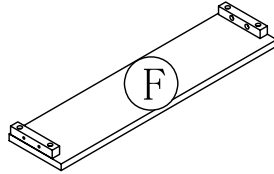
LEFT SIDE PANEL 1PC



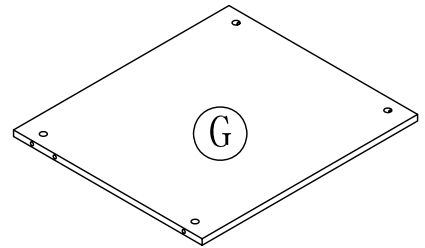
RIGHT SIDE PANEL 1PC



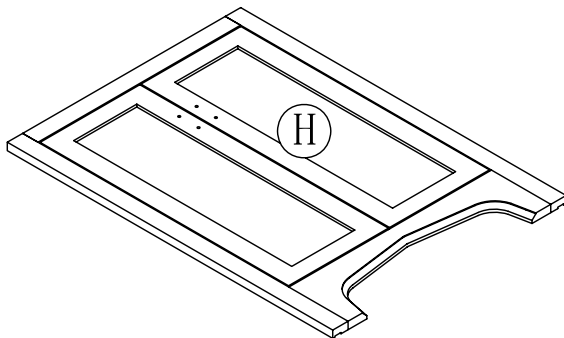
BACK CROSS BRACE 2PCS



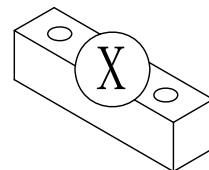
TOE KICK PANEL 1PC



BOTTOM PANEL 1PC

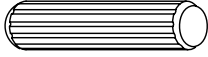


FRONT FRAME 1PC

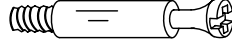


STOPPER 1PC

HARDWARE LIST:



a. WOOD DOWEL 8PCS



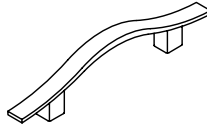
b. CAM LOCK SCREW
16PCS



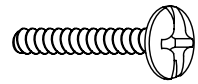
c. CAM LOCK 16PCS



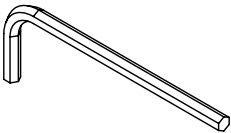
d. 1" L FLAT HEAD
SCREW 6PCS



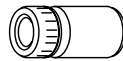
m. HANDLE 2PCS



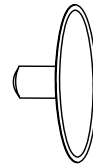
n. HANDLE BOLT 4PCS



o. WRENCH 1PC

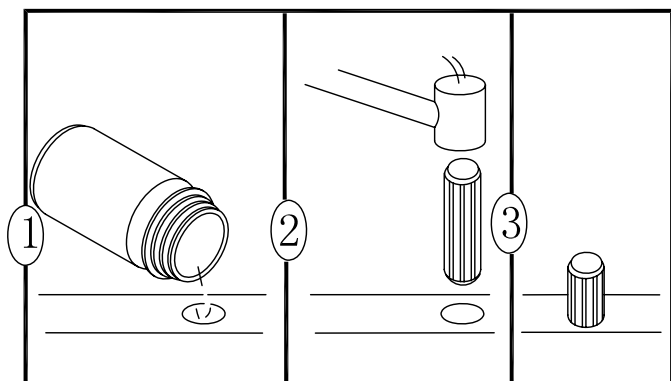
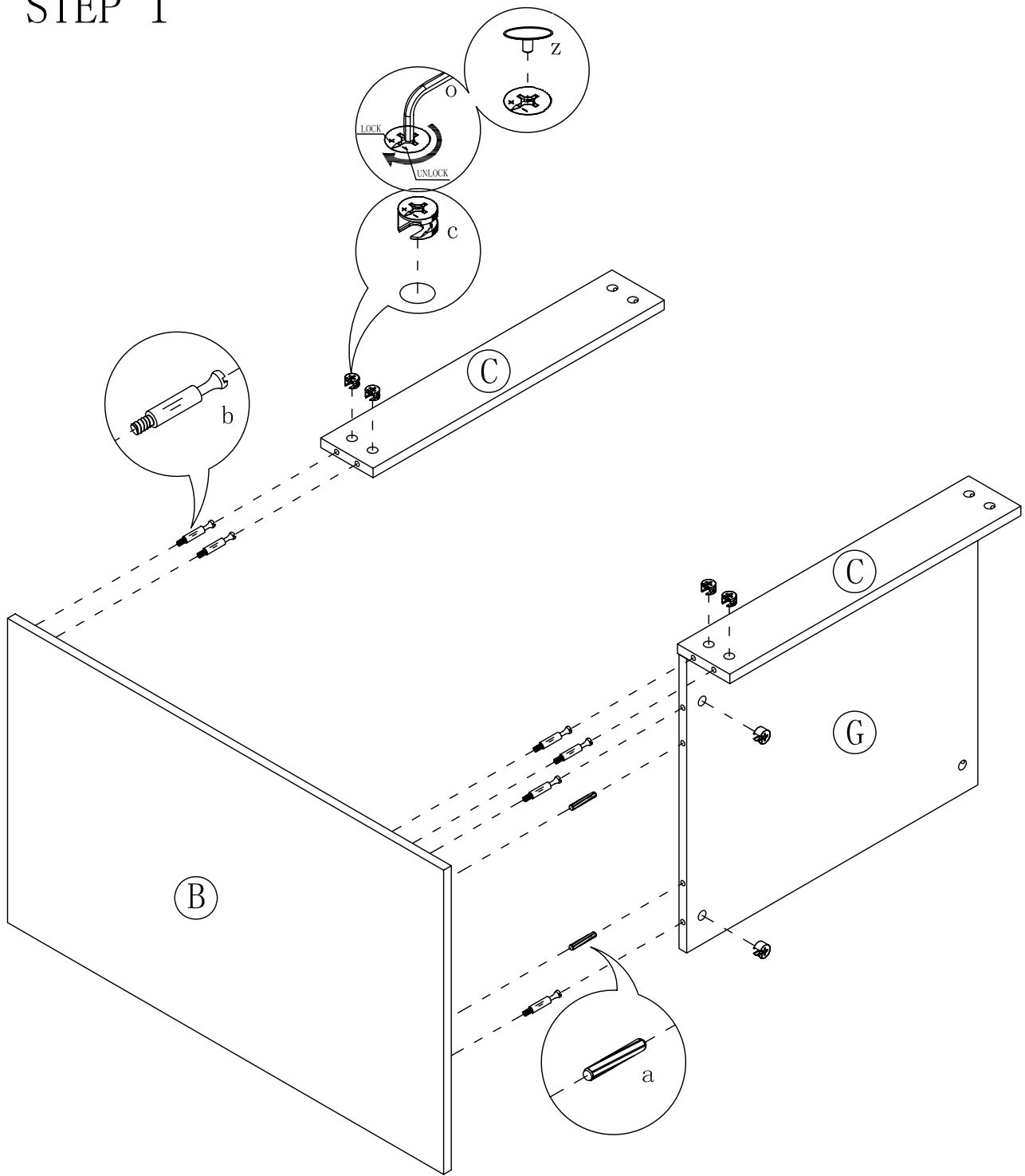


p. GLUE 1PC

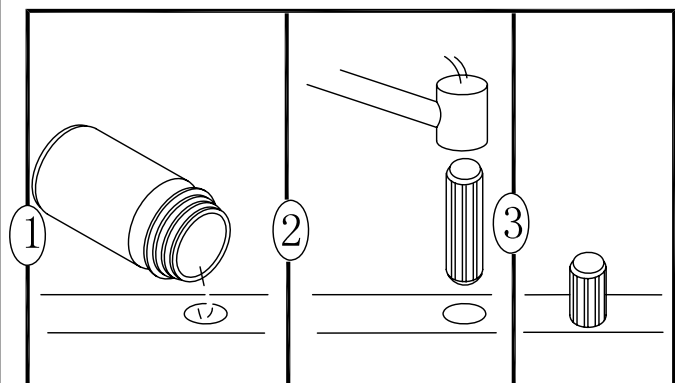
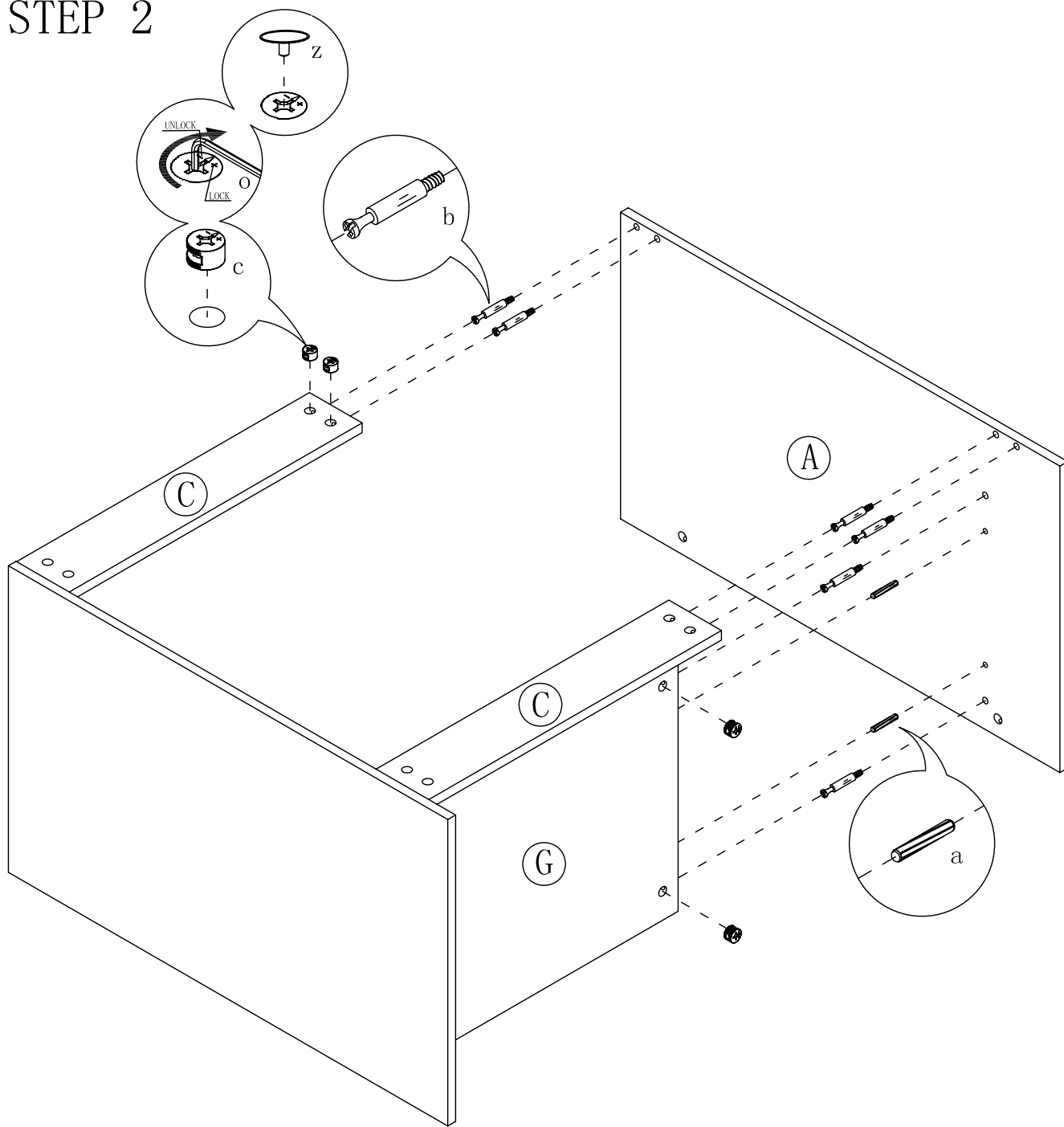


z. PLASTIC COVER 16PCS

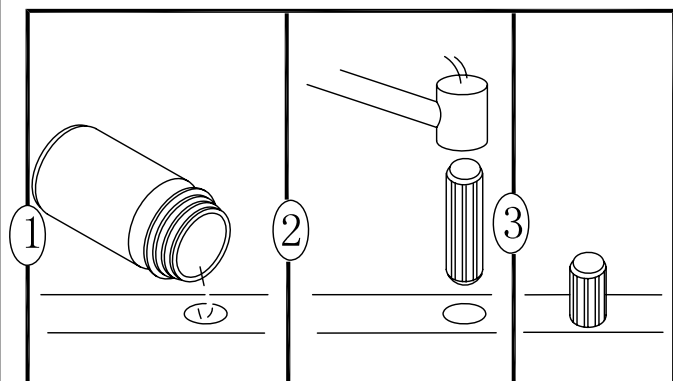
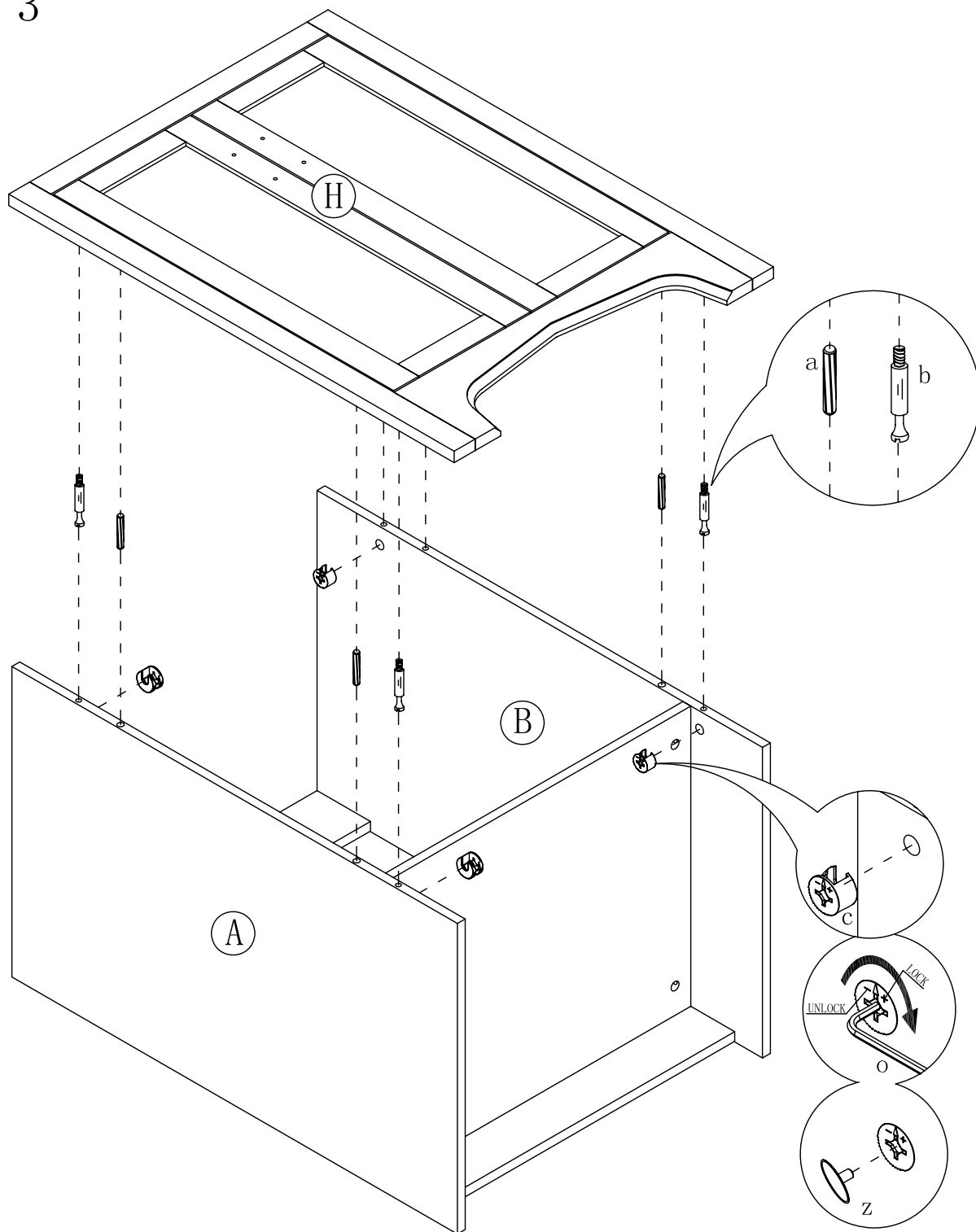
STEP 1



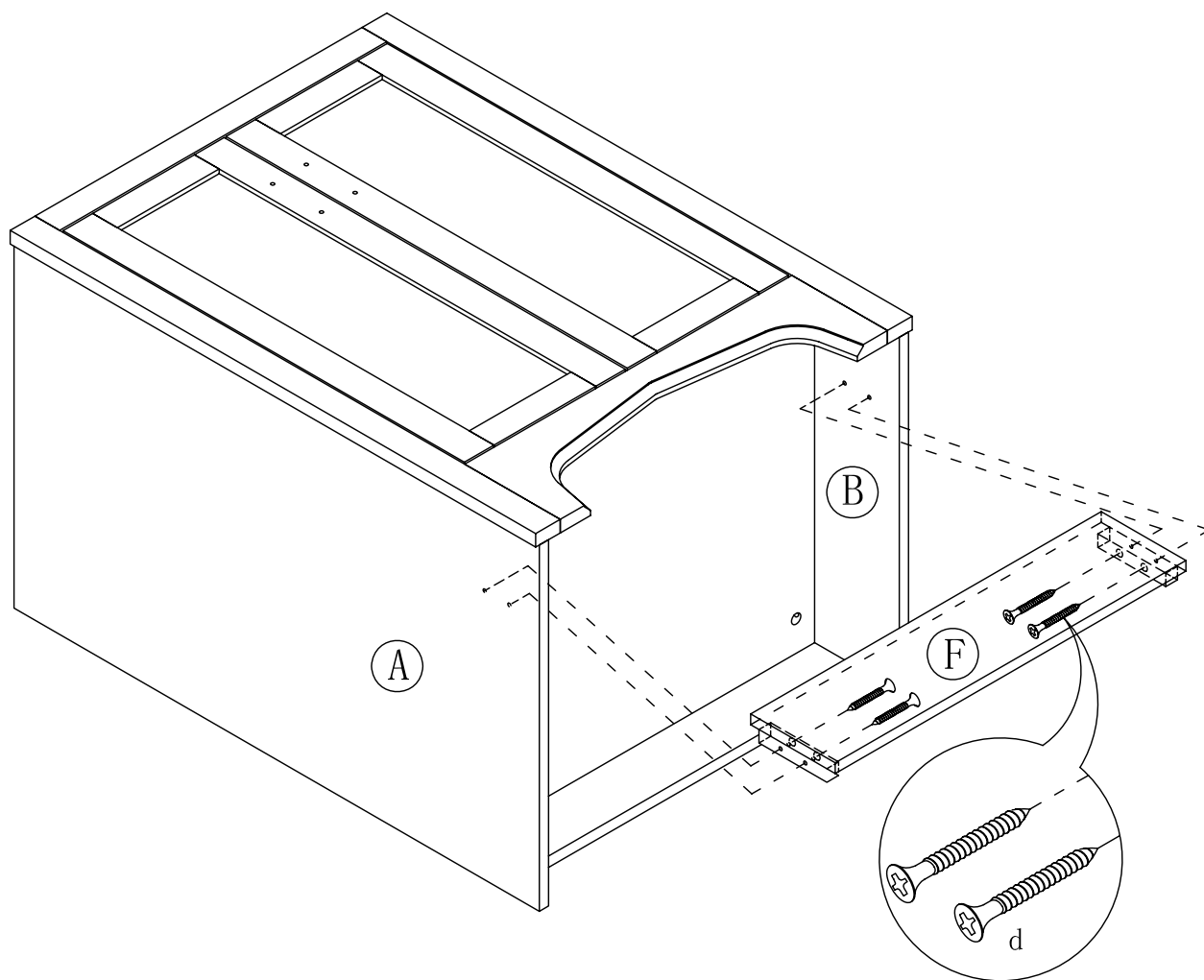
STEP 2



STEP 3



STEP 4



STEP 5

