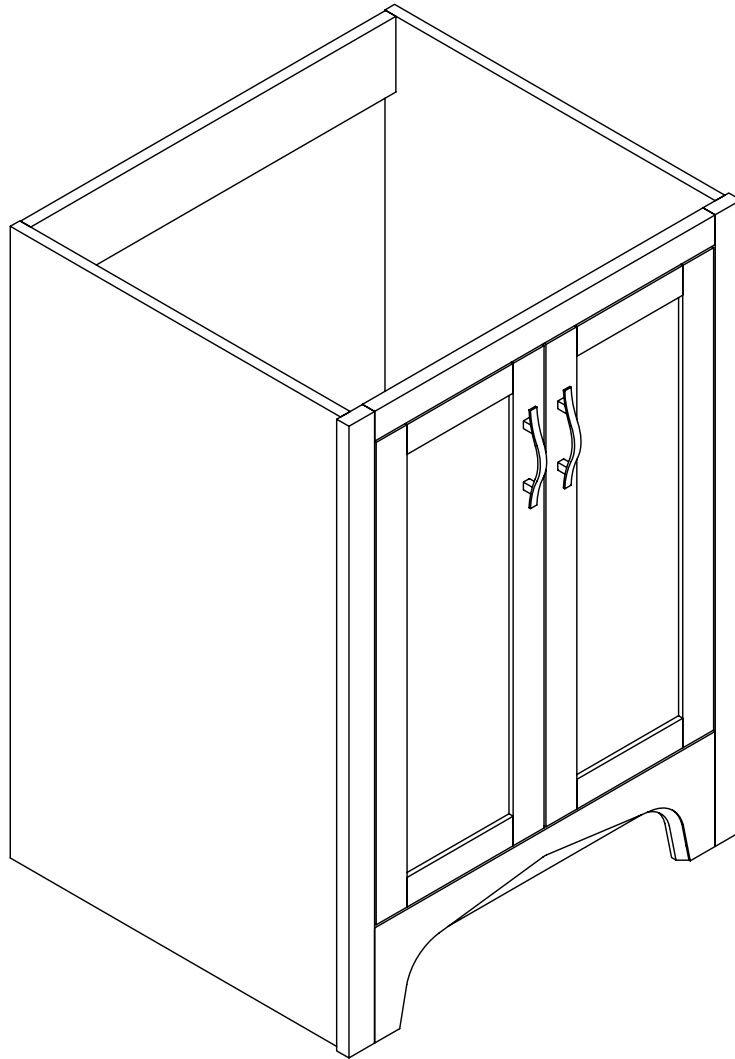




[www.todaysdesignhouse.com](http://www.todaysdesignhouse.com)

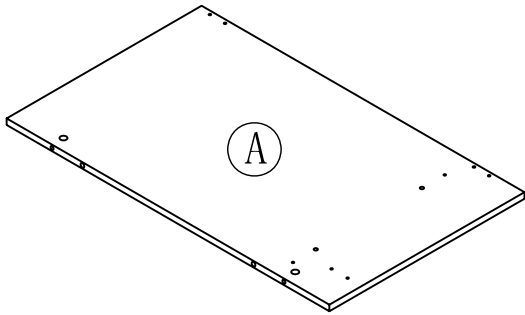


541227•541243•541268  
541235•541250•541276

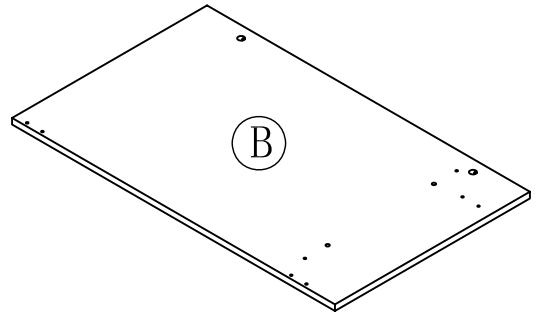
## ASSEMBLY INSTRUCTIONS

DHI Corp. • 5205 W. Donges Bay Rd. • Mequon, WI 53092 • 800.558.8700

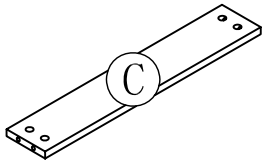
PARTS LIST:



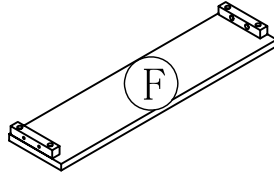
LEFT SIDE PANEL 1PC



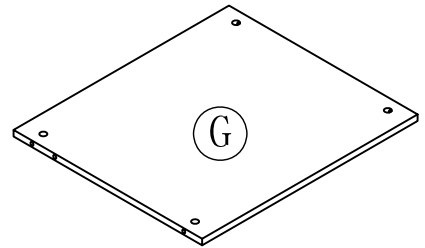
RIGHT SIDE PANEL 1PC



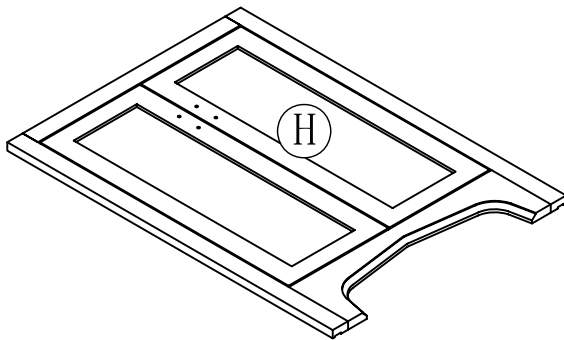
BACK CROSS BRACE 2PCS



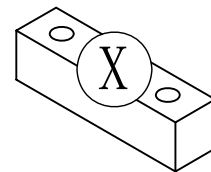
TOE KICK PANEL 1PC



BOTTOM PANEL 1PC

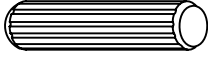


FRONT FRAME 1PC

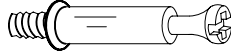


STOPPER 1PC

# HARDWARE LIST:



a. WOOD DOWEL 8PCS



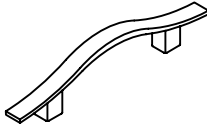
b. CAM LOCK SCREW  
16PCS



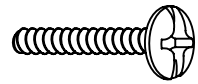
c. CAM LOCK 16PCS



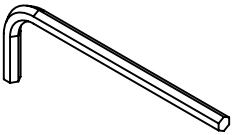
d. 1" L FLAT HEAD  
SCREW 6PCS



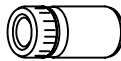
m. HANDLE 2PCS



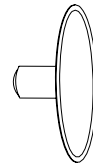
n. HANDLE BOLT 4PCS



o. WRENCH 1PC

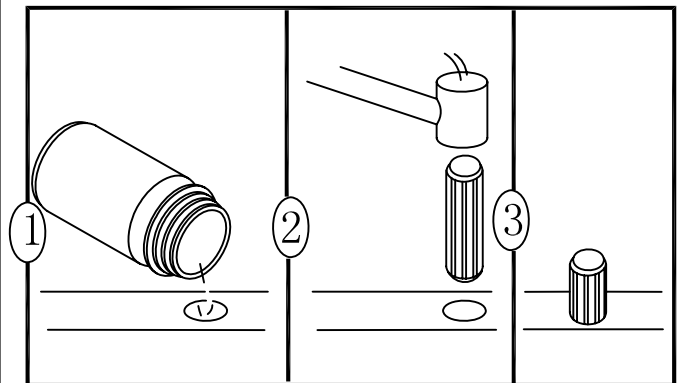
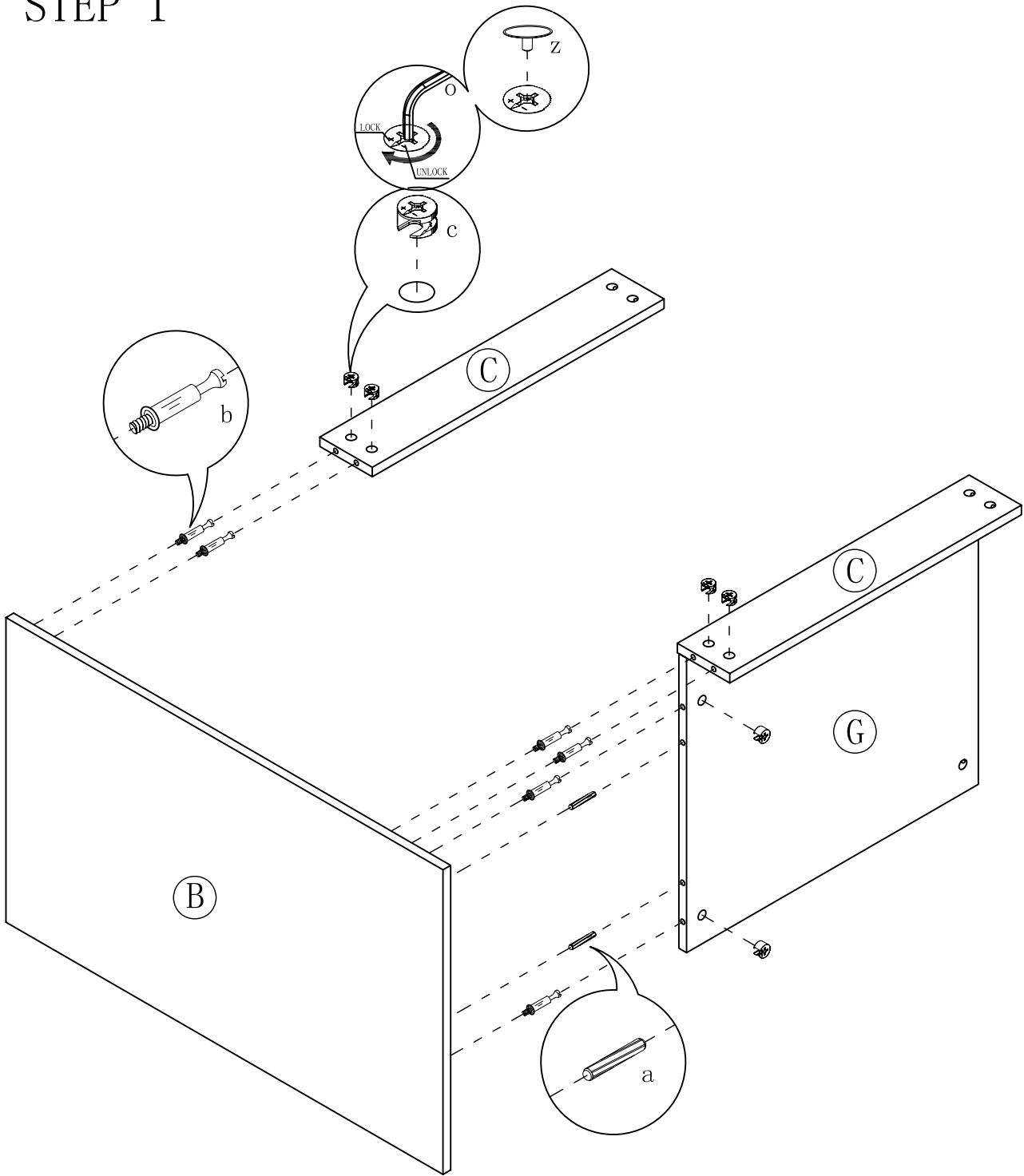


p. GLUE 1PC

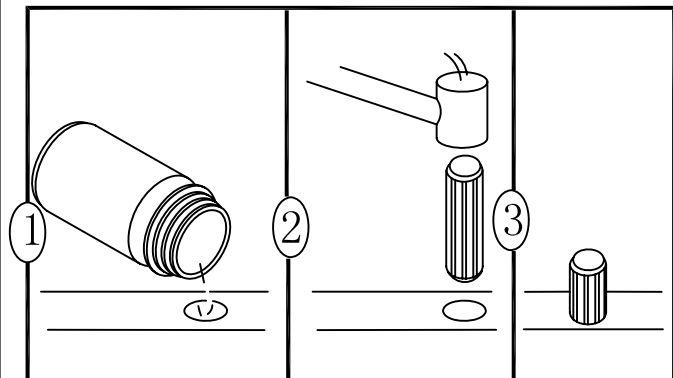
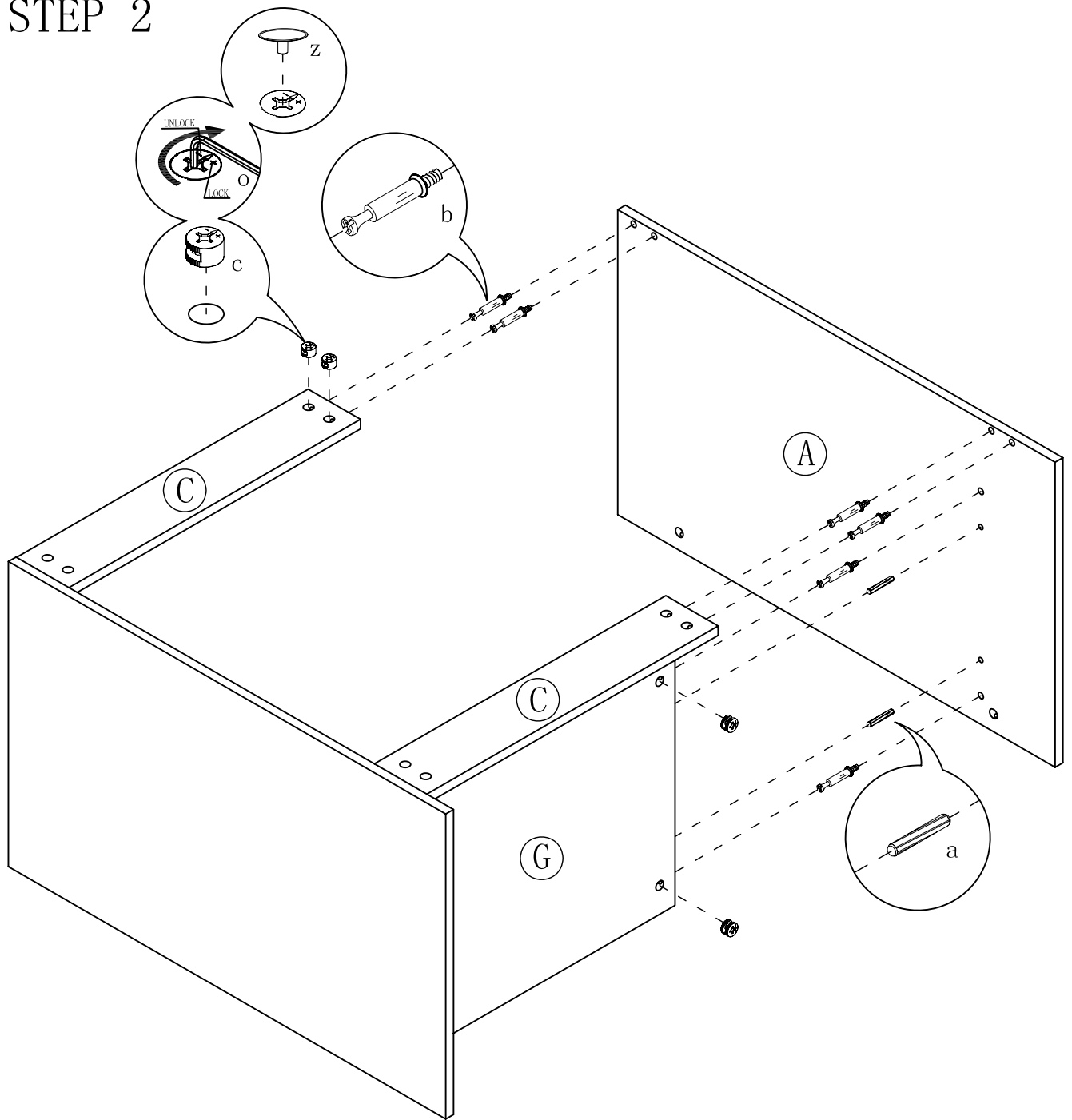


z. PLASTIC COVER 16PCS

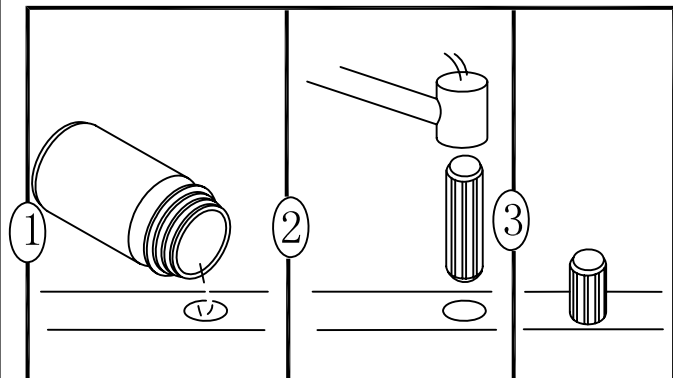
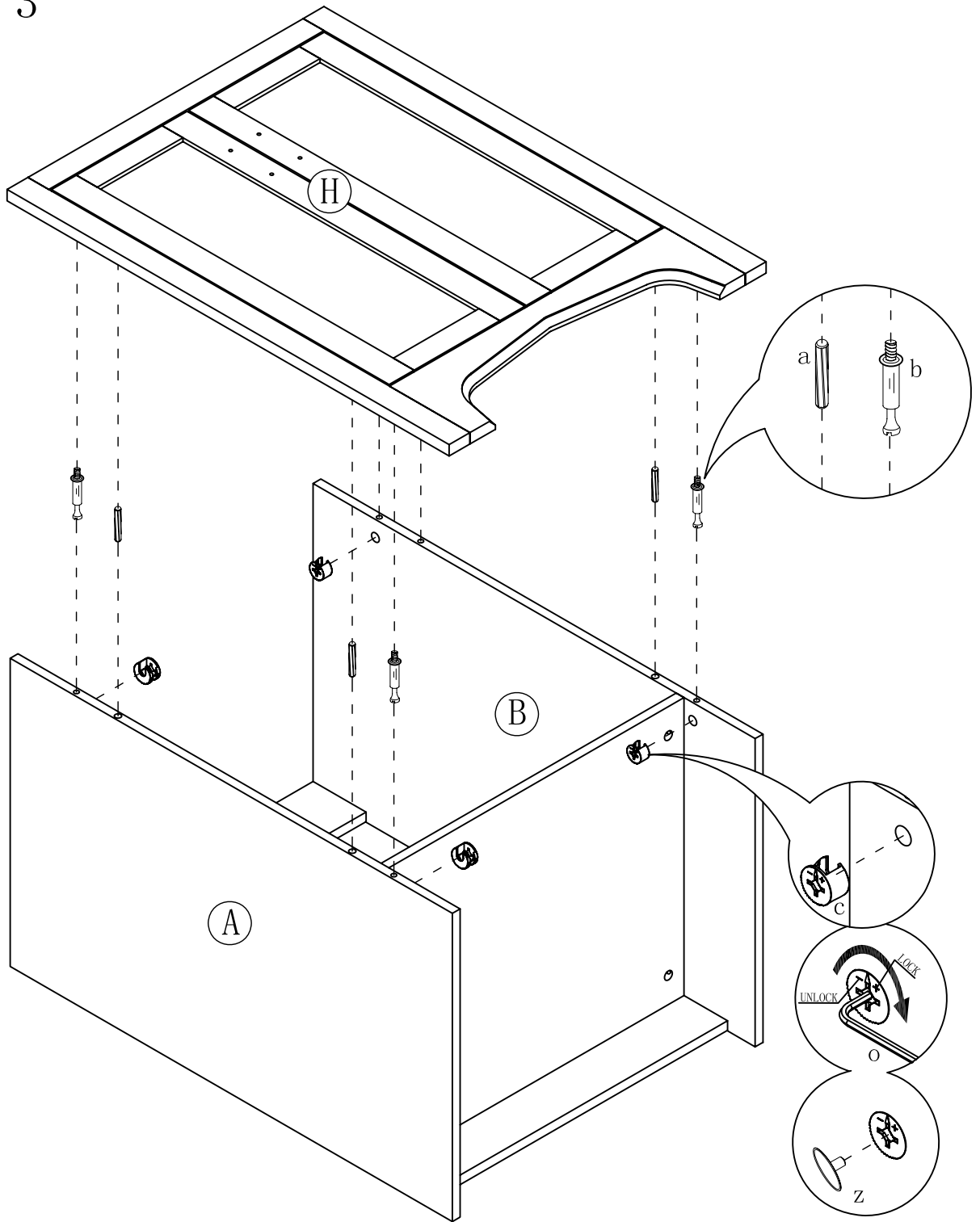
# STEP 1



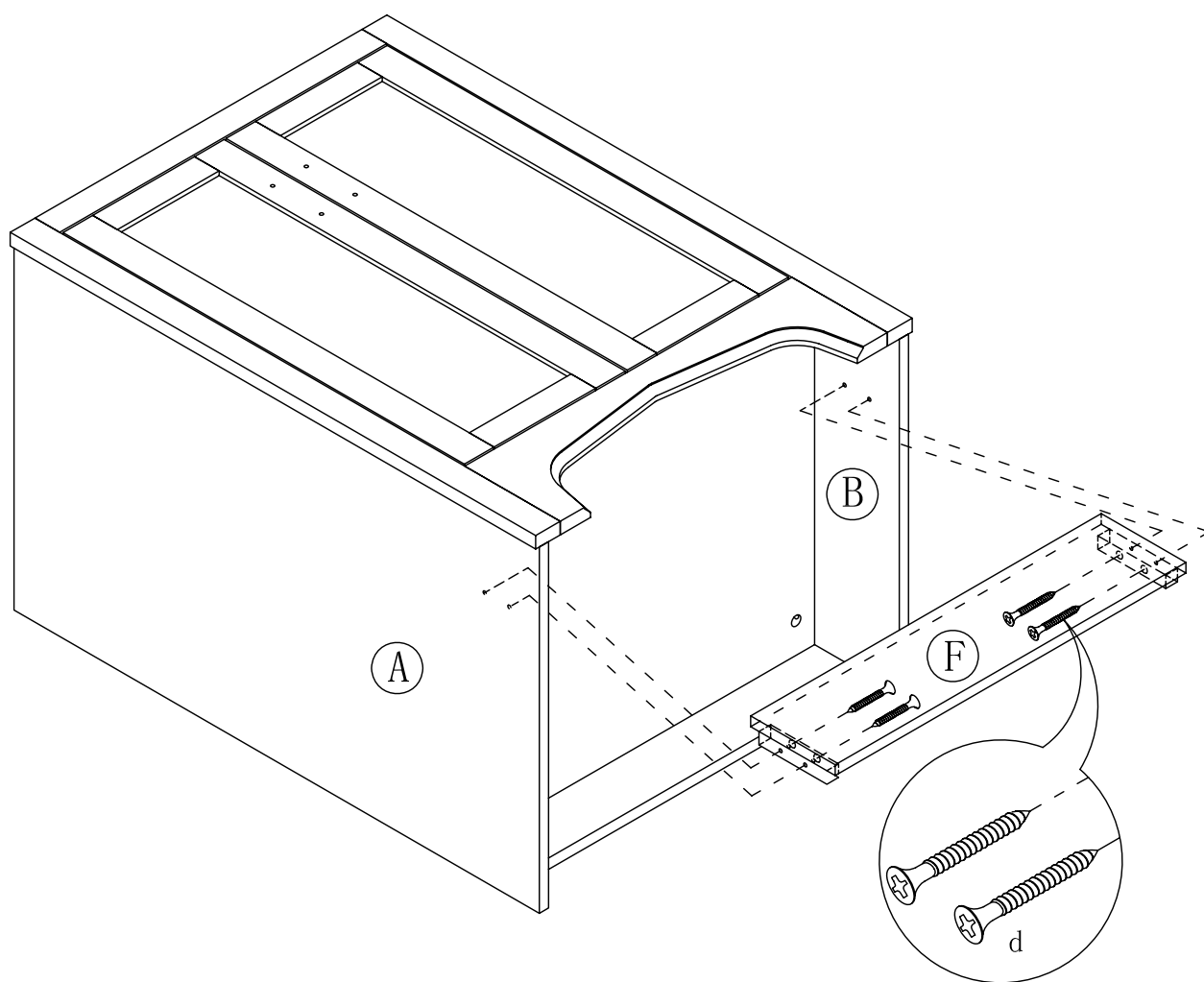
# STEP 2



# STEP 3



# STEP 4



# STEP 5

