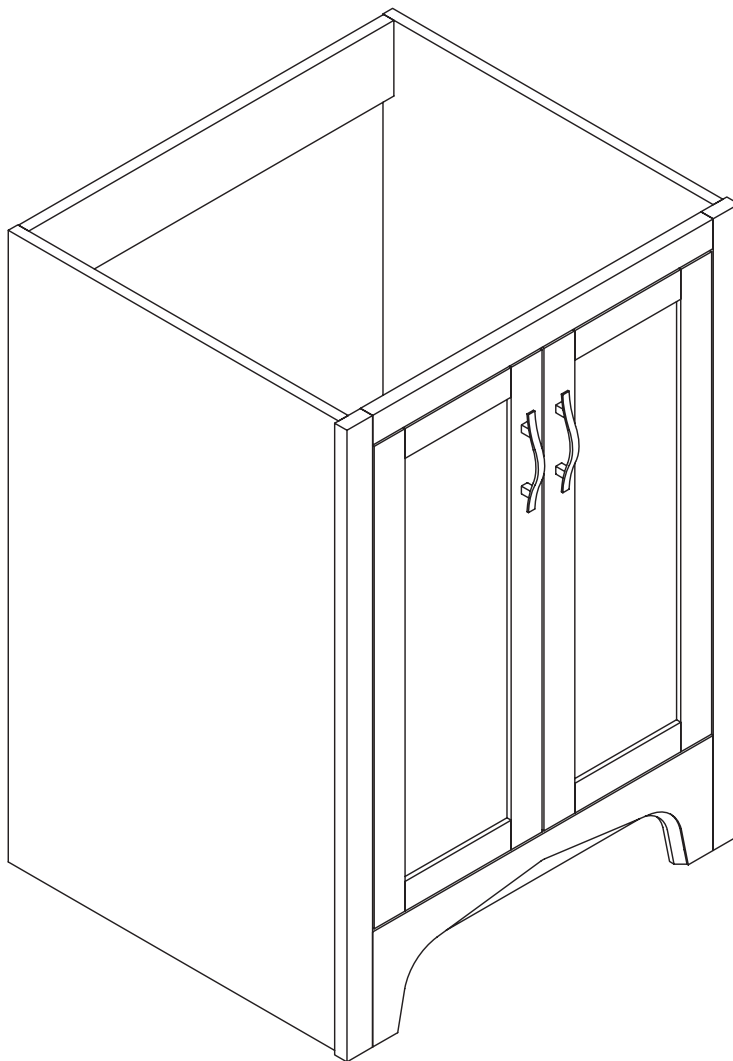




**ADVANCED**  
GLOBAL COMMERCE

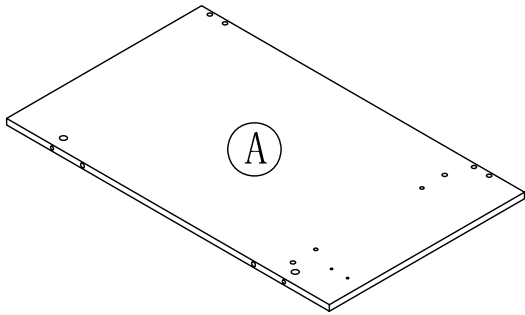
---



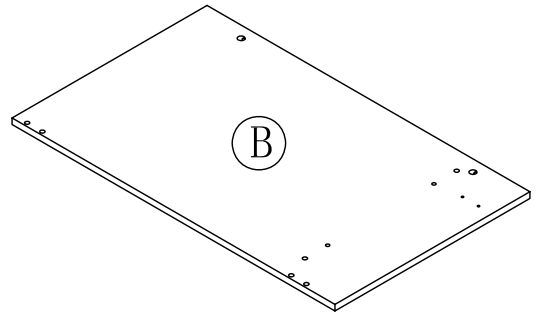
541227•541243•541268  
541235•541250•541276

# ASSEMBLY INSTRUCTIONS

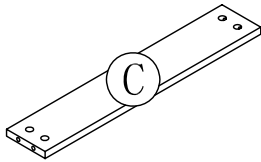
PARTS LIST:



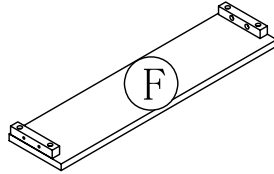
LEFT SIDE PANEL 1PC



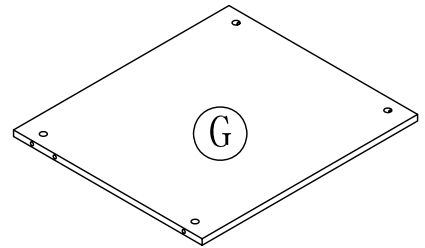
RIGHT SIDE PANEL 1PC



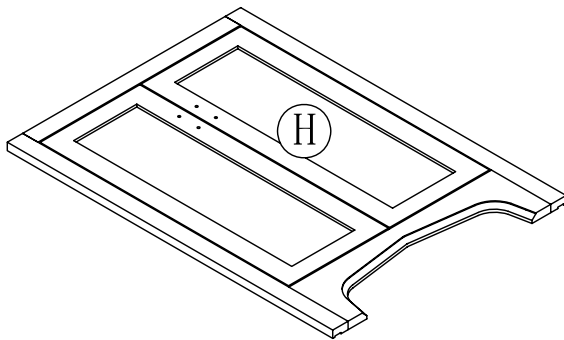
BACK CROSS BRACE 2PCS



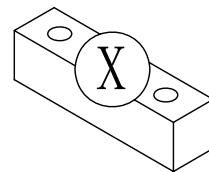
TOE KICK PANEL 1PC



BOTTOM PANEL 1PC



FRONT FRAME 1PC

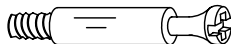


STOPPER 1PC

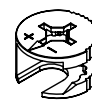
# HARDWARE LIST:



a. WOOD DOWEL 8PCS



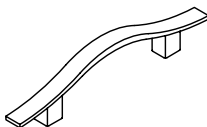
b. CAM LOCK SCREW  
16PCS



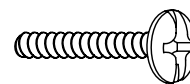
c. CAM LOCK 16PCS



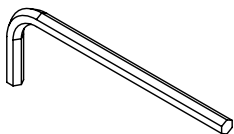
d. 1" L FLAT HEAD  
SCREW 6PCS



m. HANDLE 2PCS



n. HANDLE BOLT 4PCS



o. WRENCH 1PC

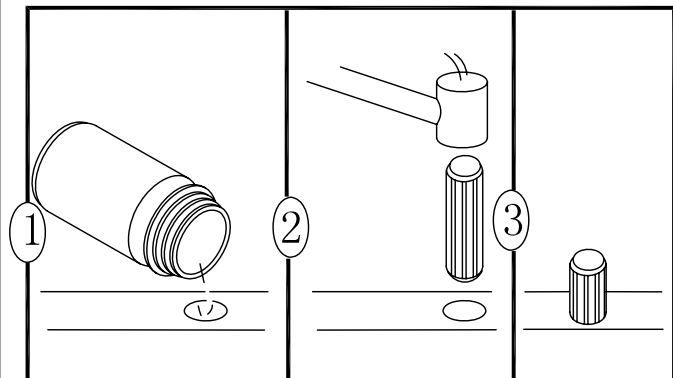
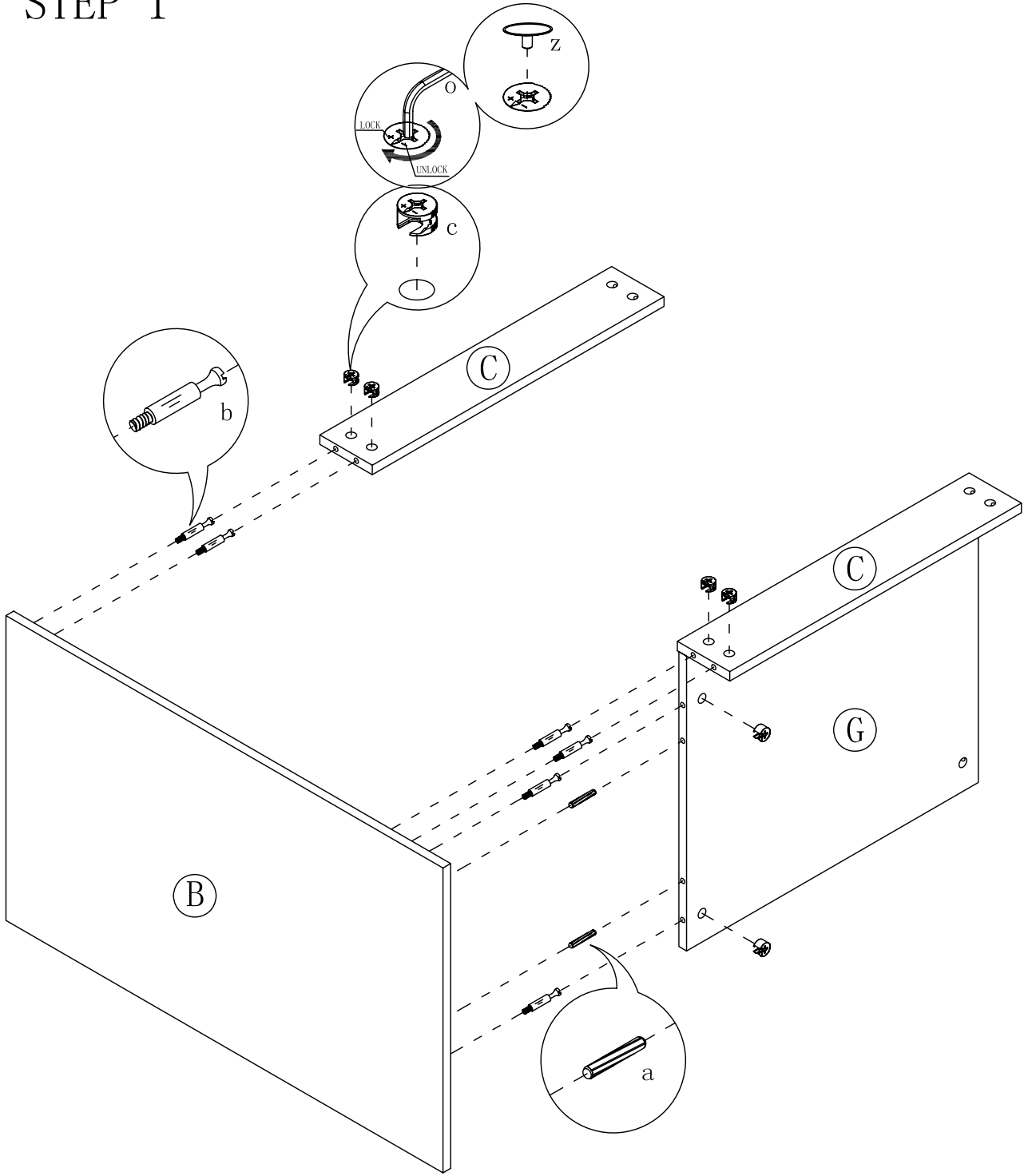


p. GLUE 1PC

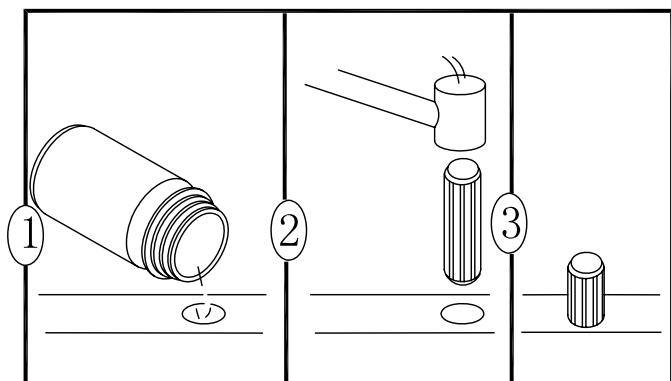
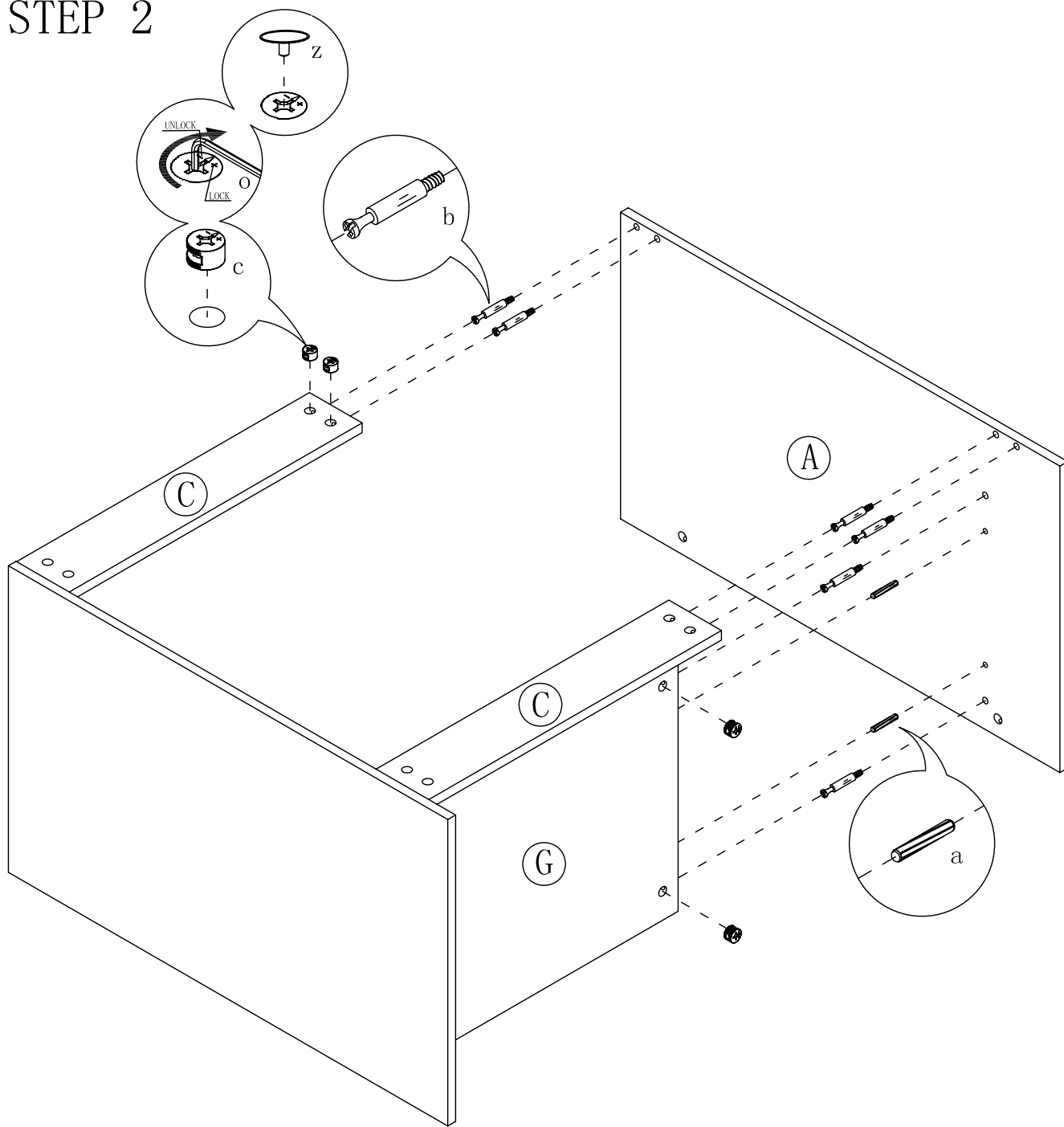


z. PLASTIC COVER 16PCS

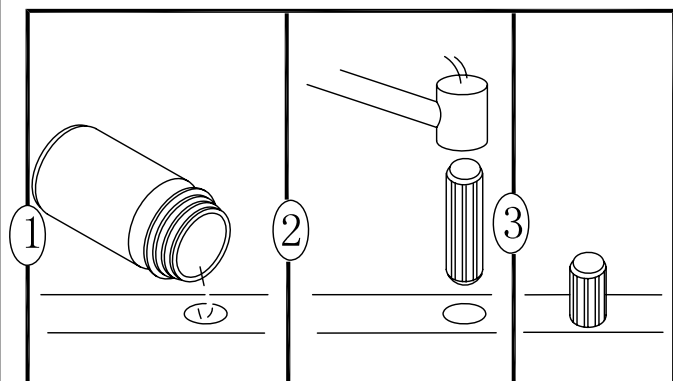
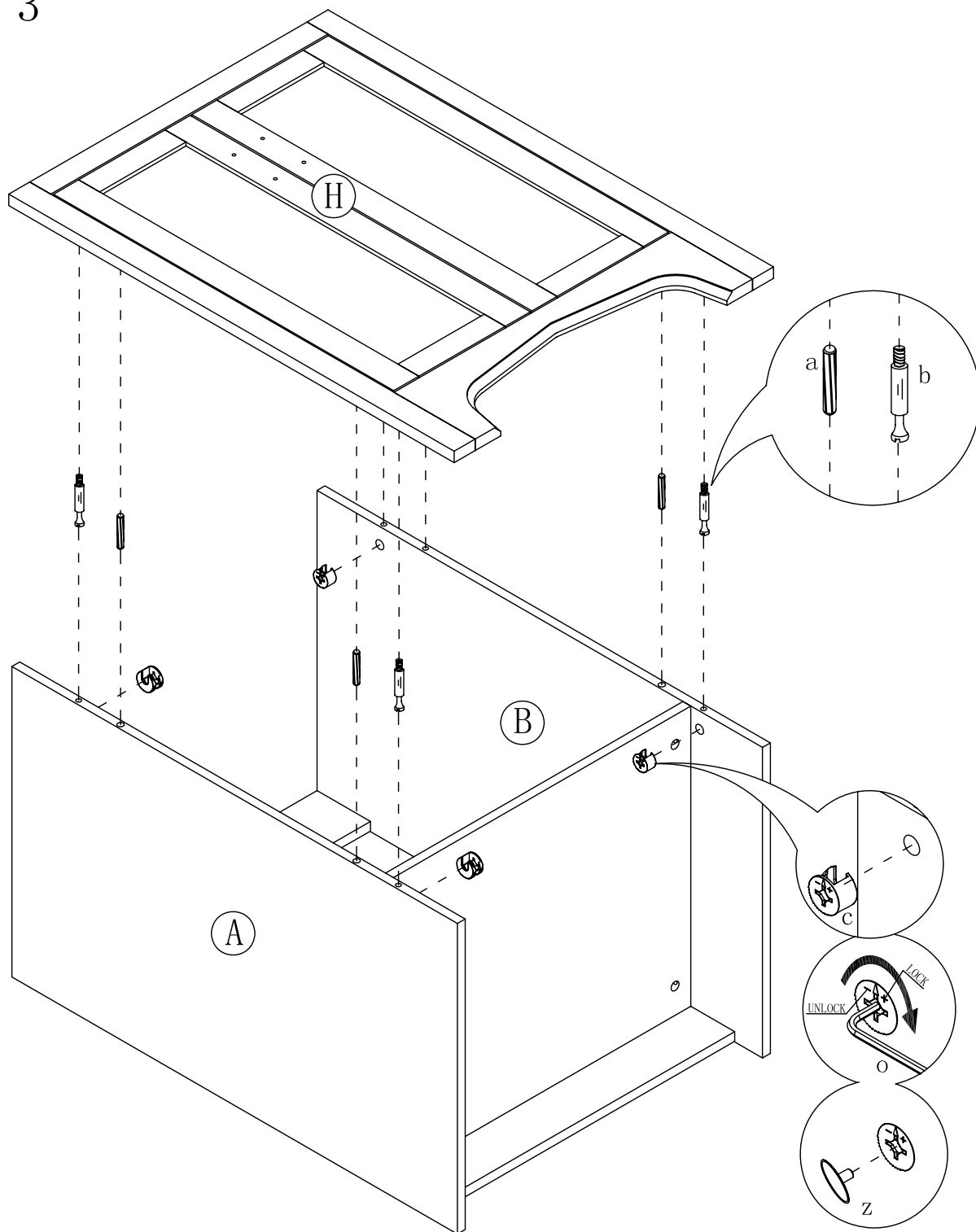
# STEP 1



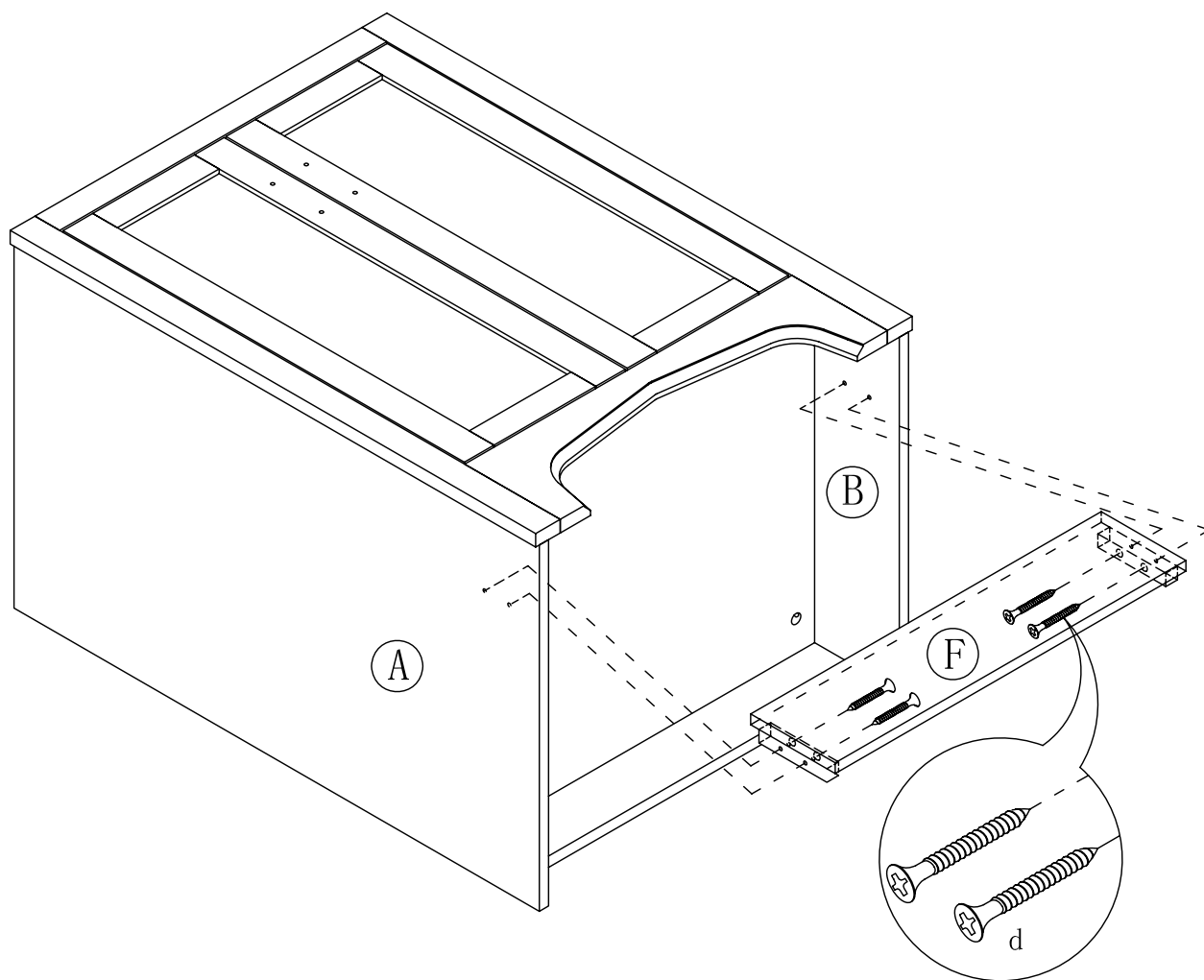
# STEP 2



# STEP 3



# STEP 4



# STEP 5

