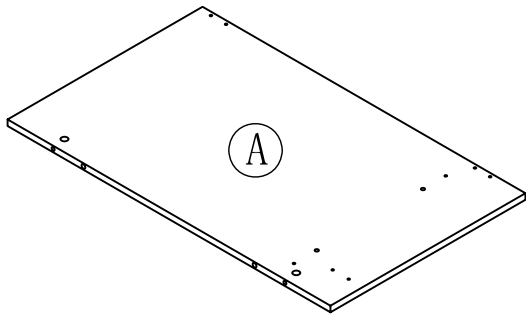


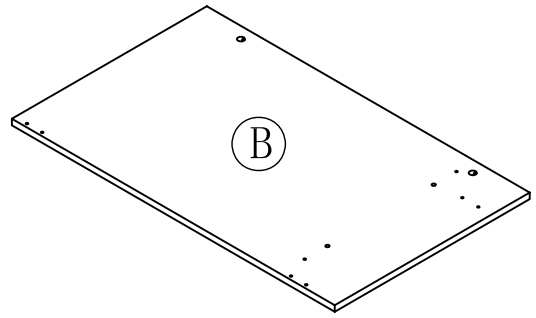
541219

ASSEMBLY INSTRUCTIONS

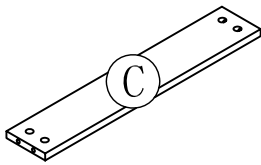
PARTS LIST:



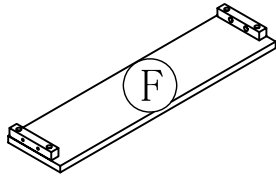
LEFT SIDE PANEL 1PC



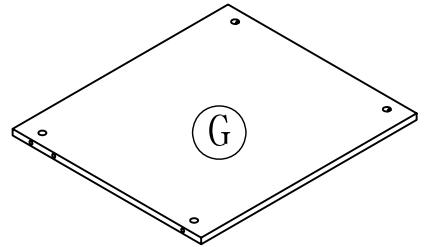
RIGHT SIDE PANEL 1PC



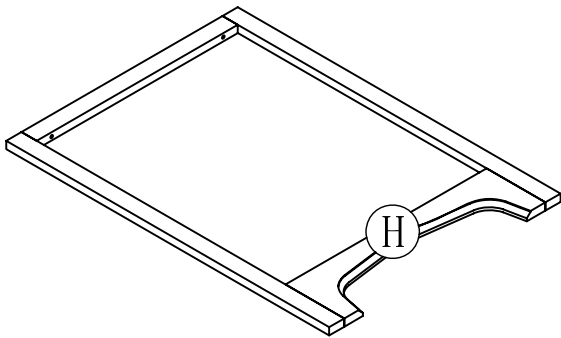
BACK CROSS BRACE 2PCS



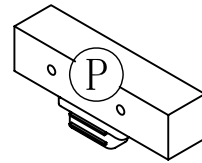
TOE KICK PANEL 1PC



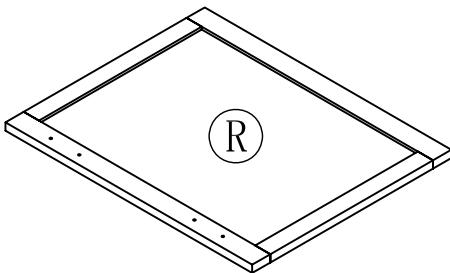
BOTTOM PANEL 1PC



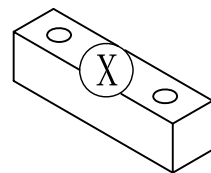
FRONT FRAME 1PC



MAGNET 1PC



DOOR 1PC

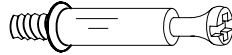


STOPPER 1PC

HARDWARE LIST:



a. WOOD DOWEL 8PCS



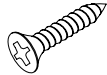
b. CAM LOCK SCREW
16PCS



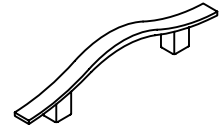
c. CAM LOCK 16PCS



d. 1" L FLAT HEAD
SCREW 8PCS



g. 1/2" L FLAT HEAD SCREW
(FOR HINGE) 4PCS



m. HANDLE 1PC



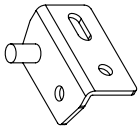
n. HANDLE BOLT 2PCS



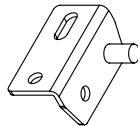
o. WRENCH 1PC



p. GLUE 1PC



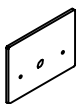
q. HINGE(1) 1PC



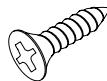
r. HINGE(2) 1PC



s. PLASTIC PLUG (FOR HINGE)
2PCS



t. METAL
PLATE 1PC



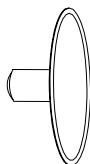
u. 3/8" L FLAT HEAD
SCREW 1PC



v. SMALL FLAT HEAD
SCREW (FOR LOGO) 2PCS

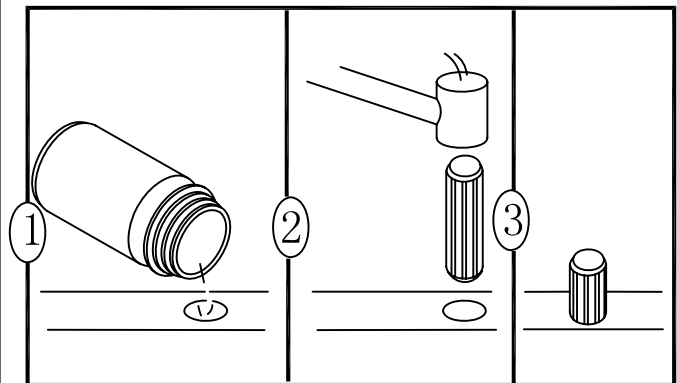
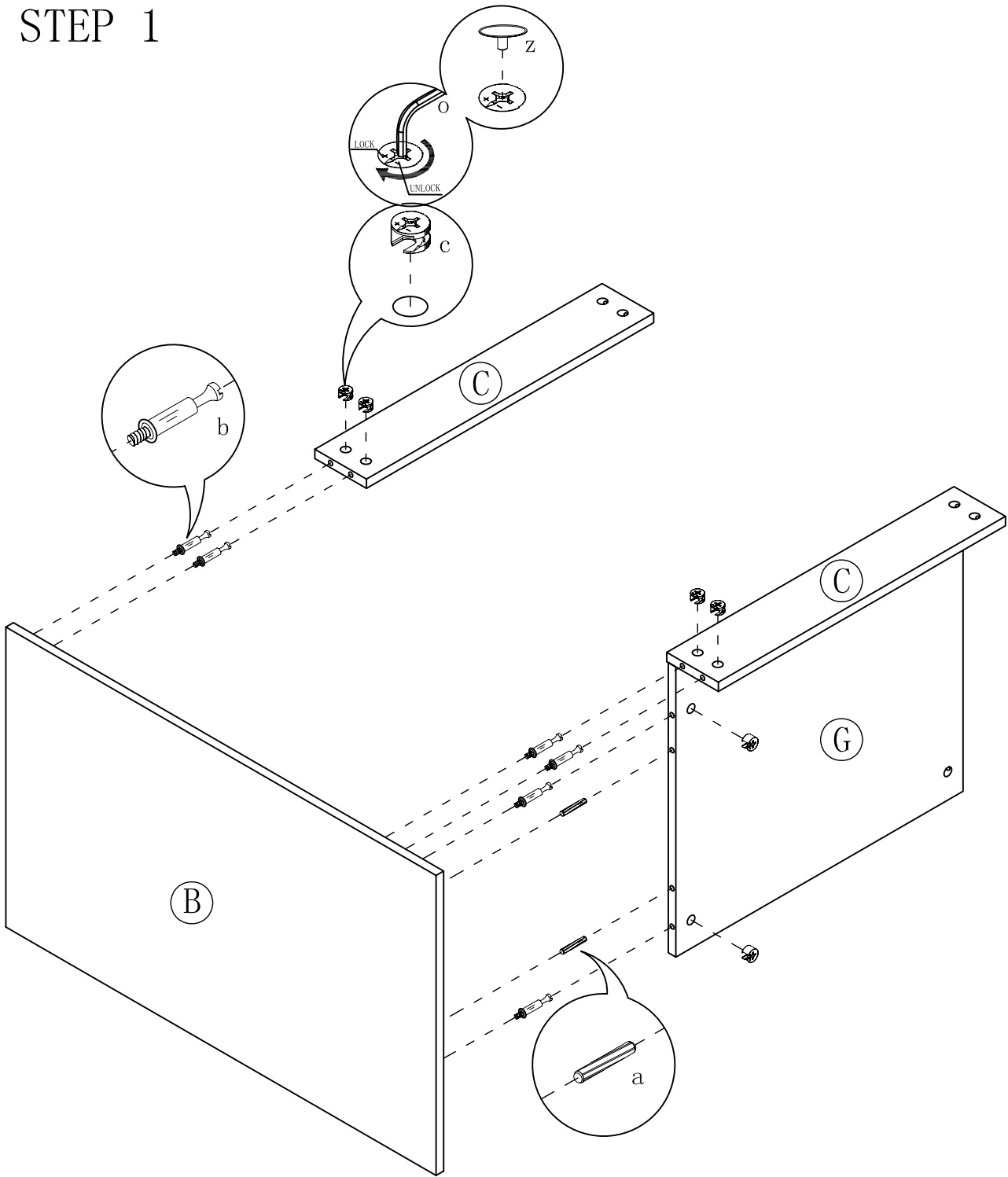


x. LOGO 1PC

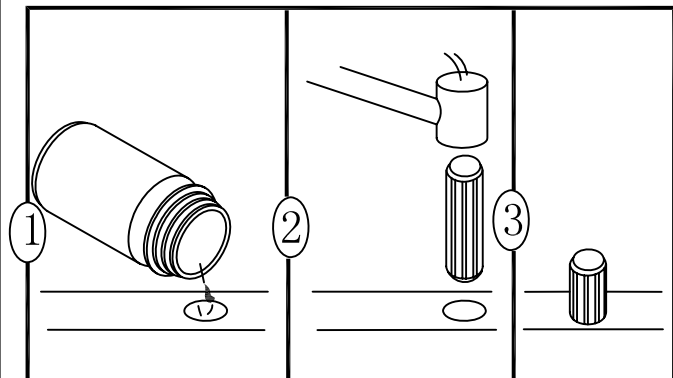
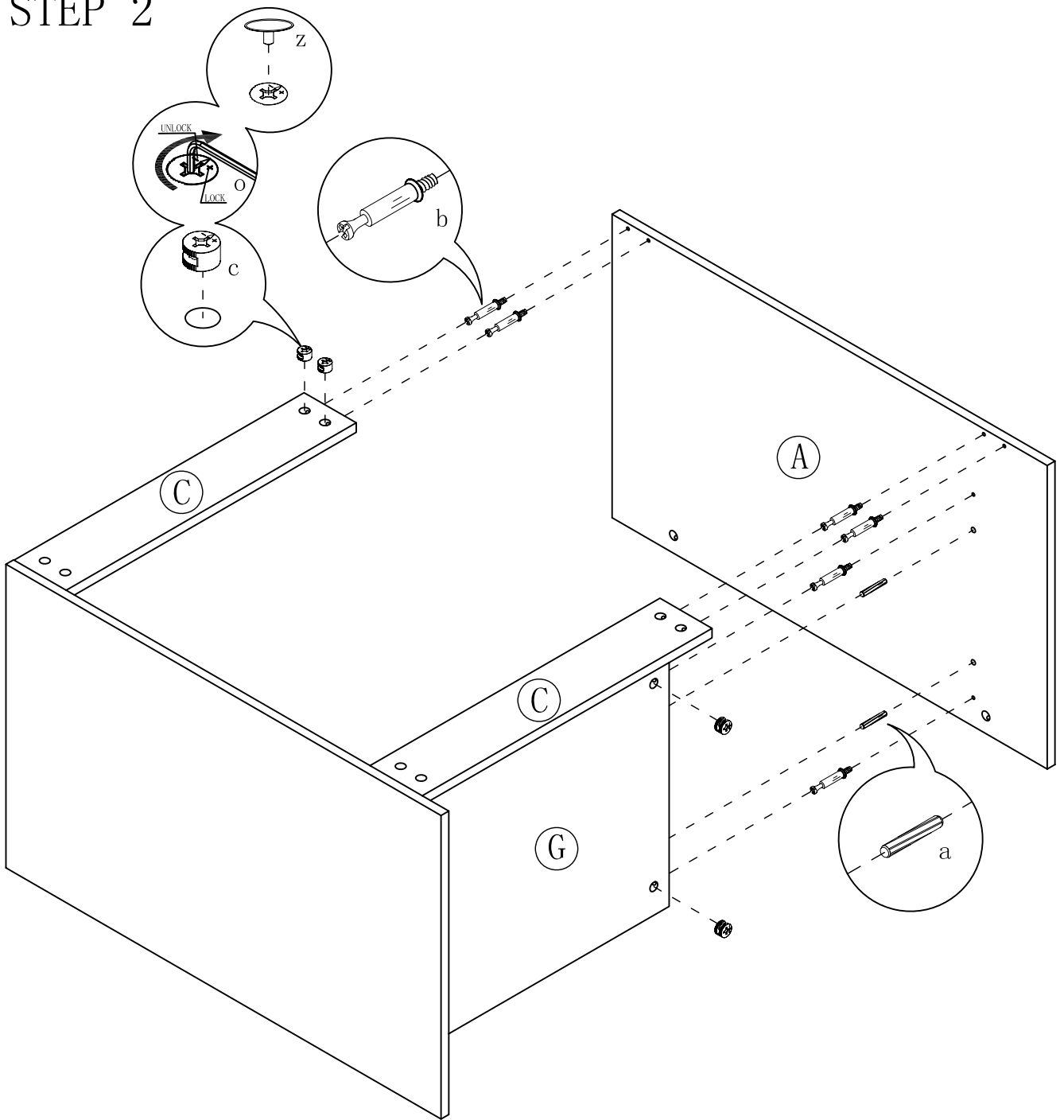


z. PLASTIC COVER 16PCS

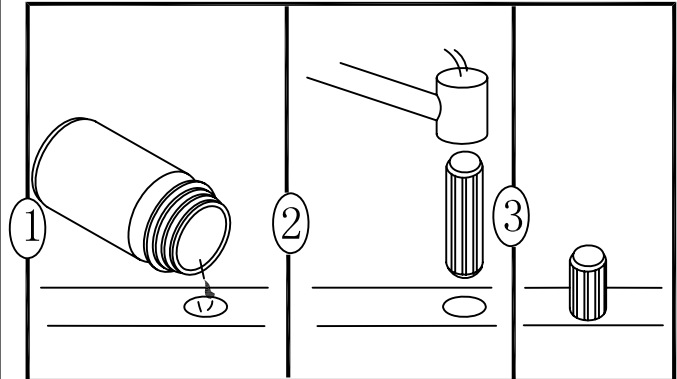
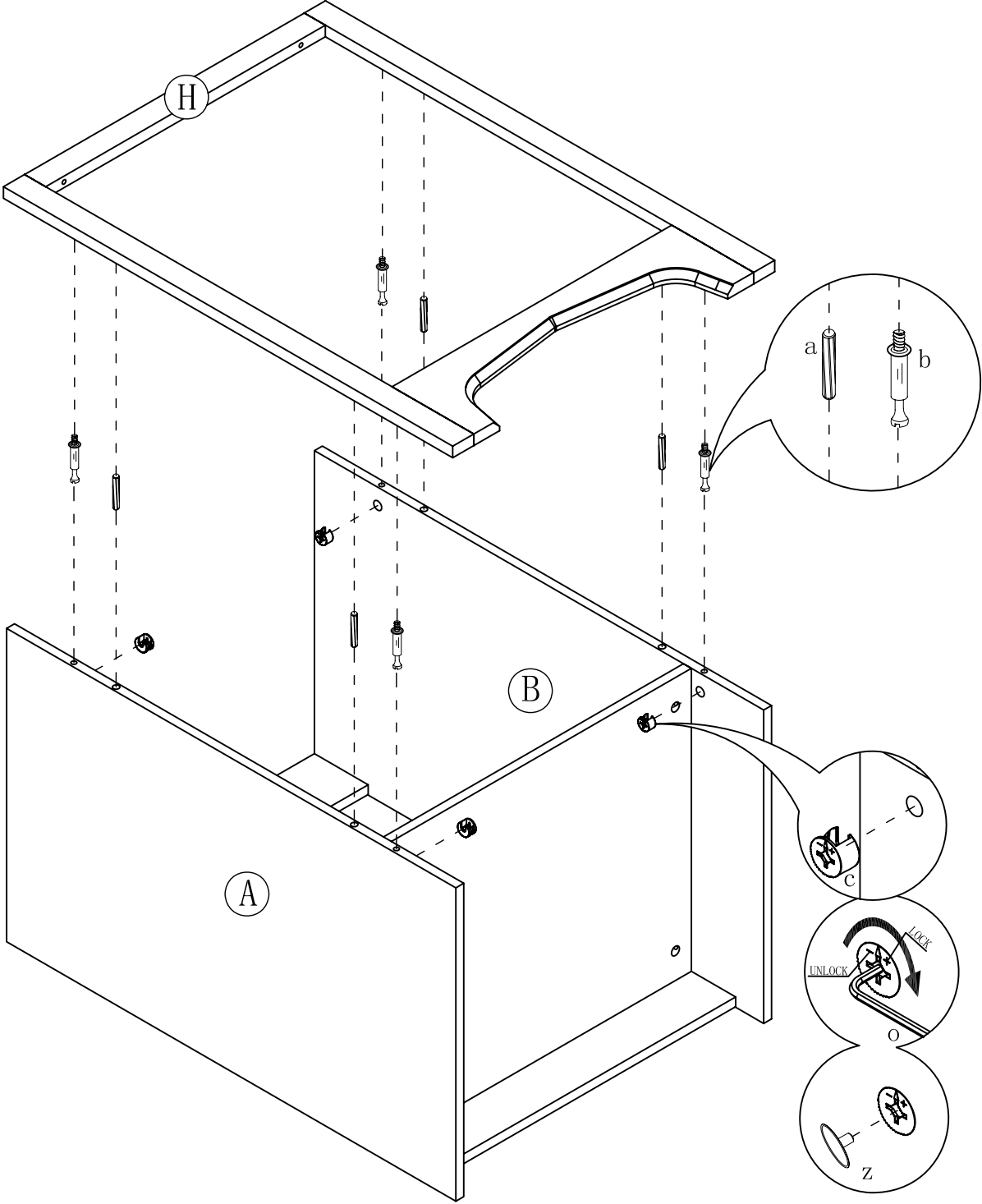
STEP 1



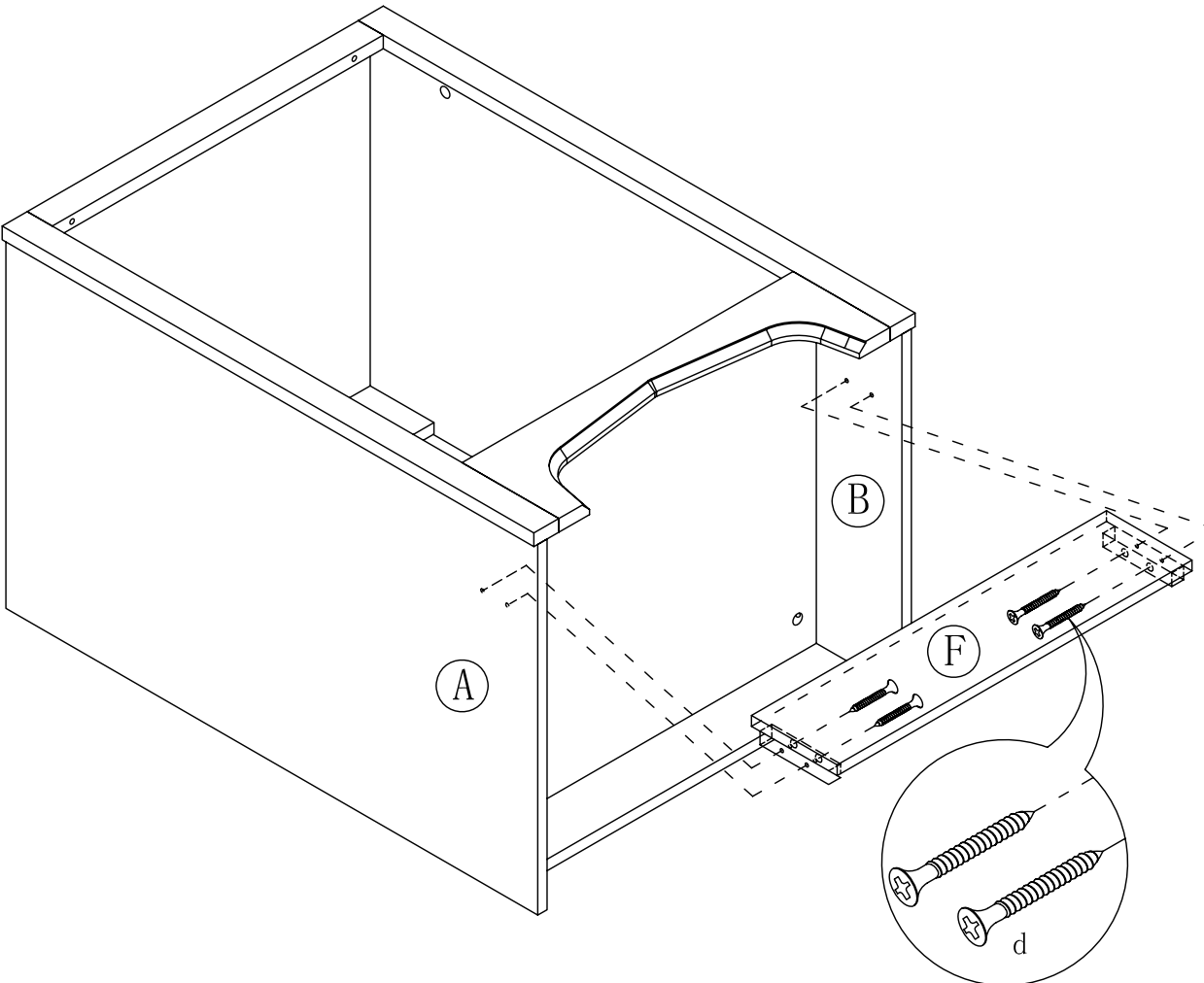
STEP 2



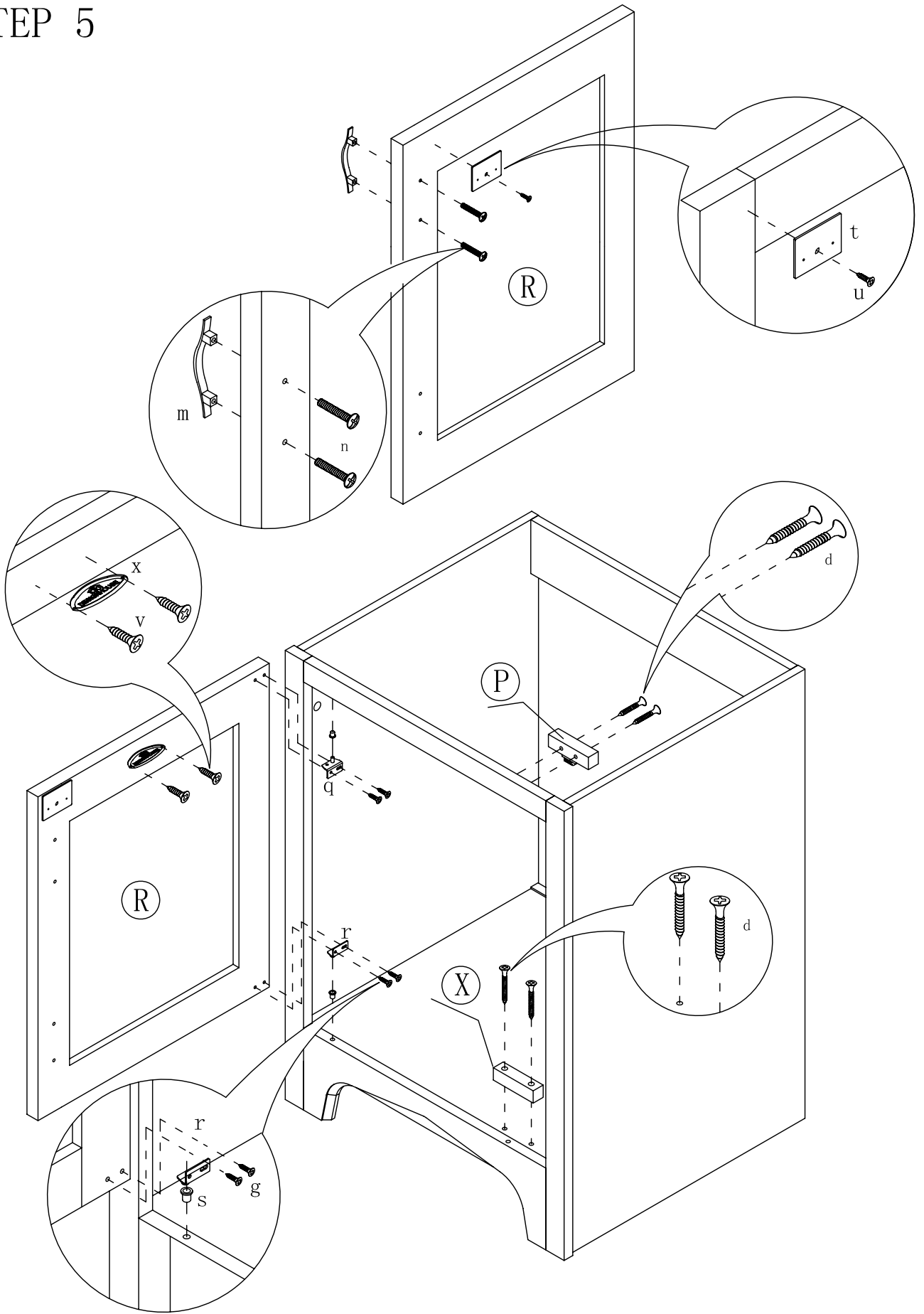
STEP 3



STEP 4

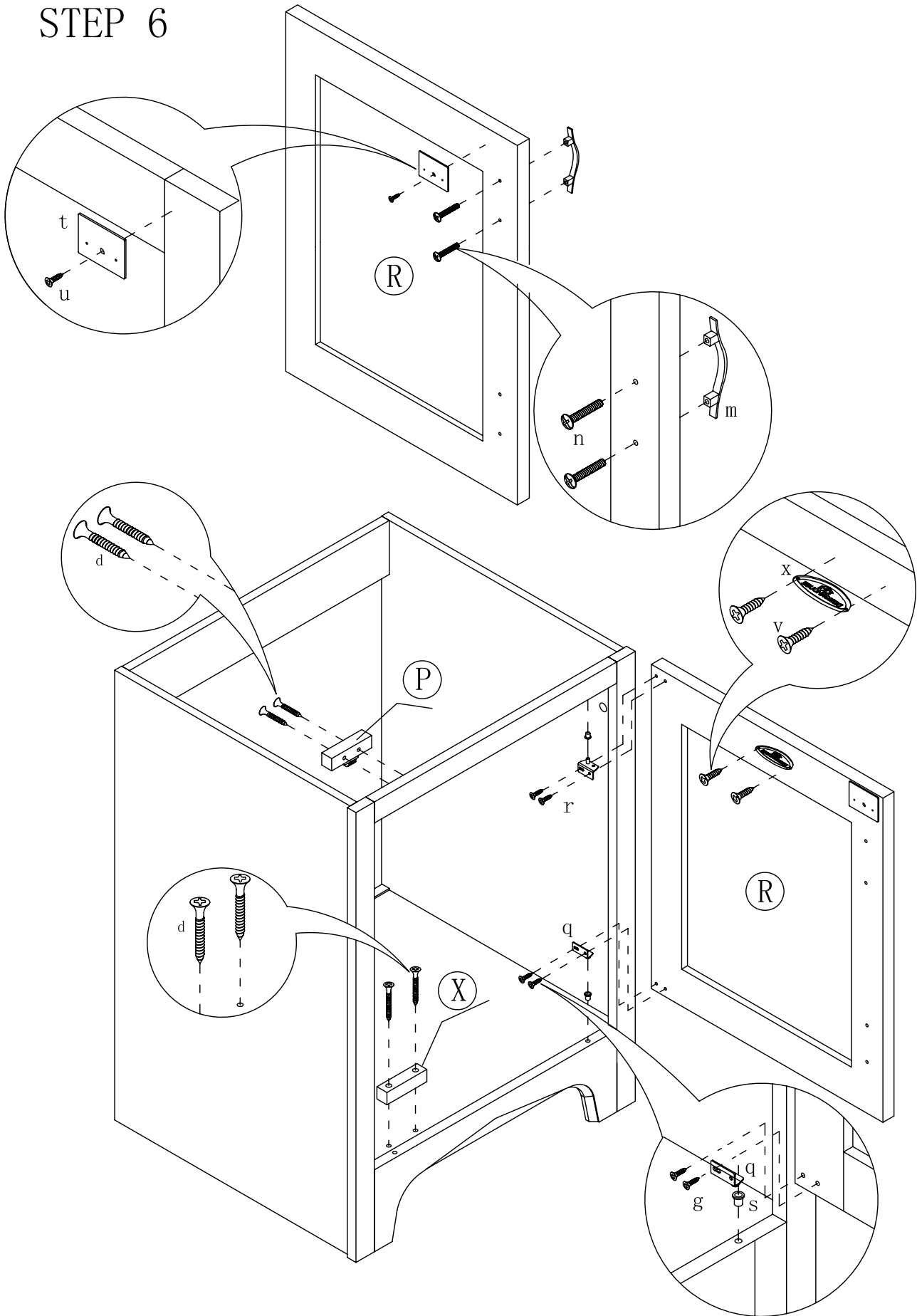


STEP 5



PLEASE FOLLOW STEP 5 IF YOU WOULD
LIKE THE DOOR OPEN FROM THE LEFT

STEP 6



PLEASE FOLLOW STEP 6 IF YOU WOULD
LIKE THE DOOR OPEN FROM THE RIGHT