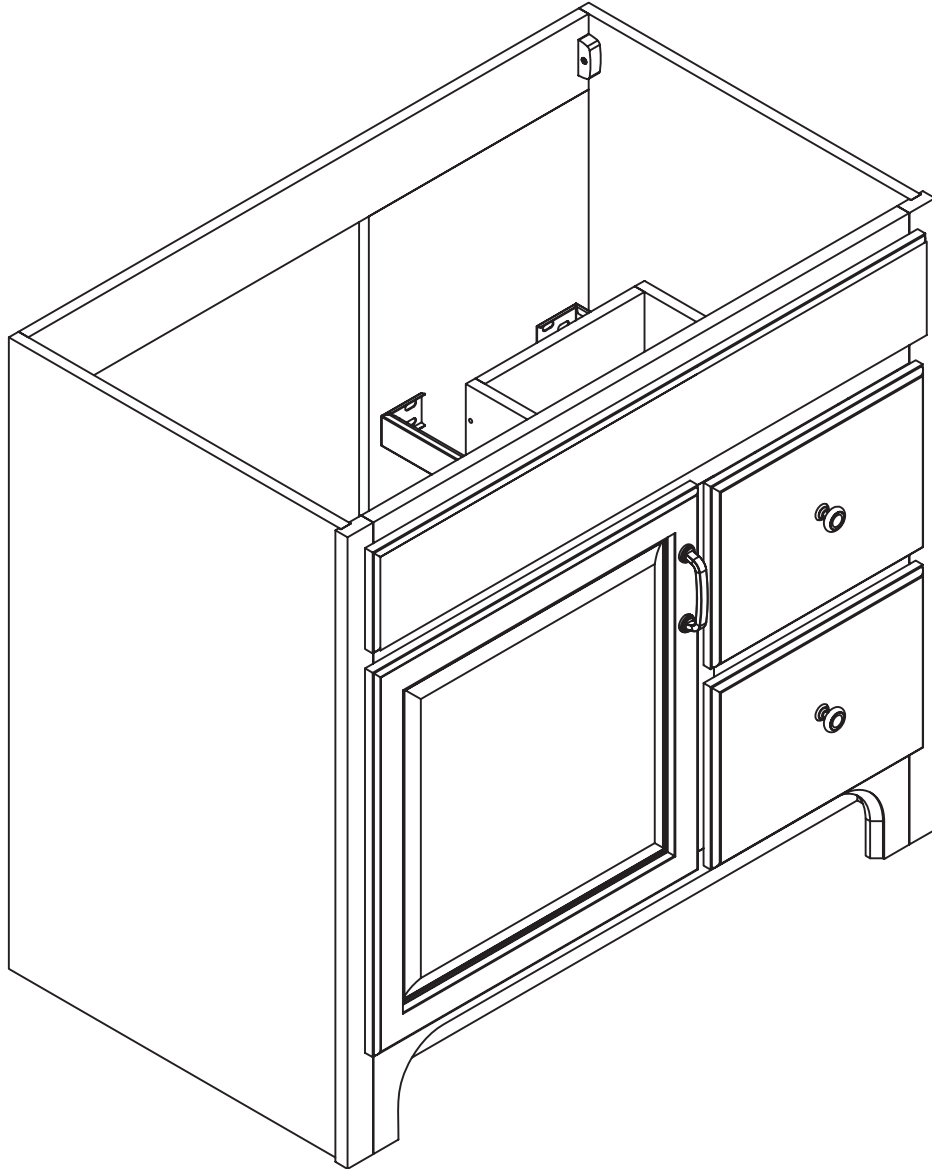




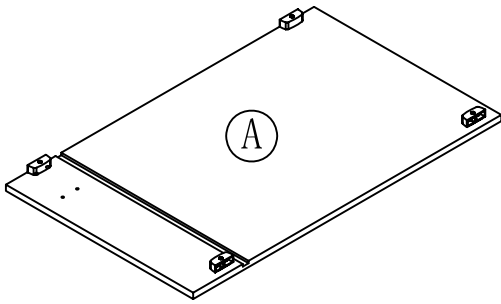
ADVANCED
GLOBAL COMMERCE



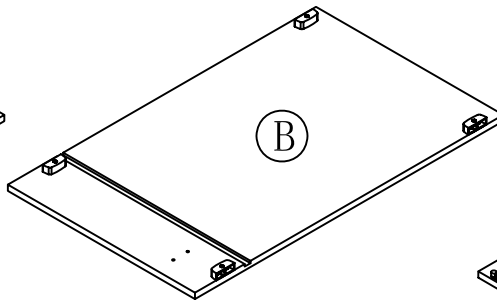
530402 • 541151 • 541128 • 541136

ASSEMBLY INSTRUCTIONS

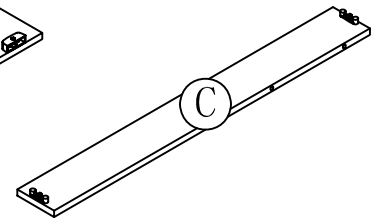
PARTS LIST:



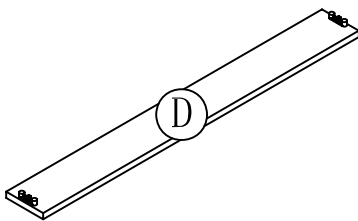
LEFT SIDE PANEL 1PC



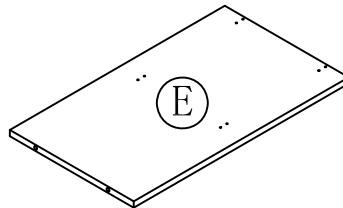
RIGHT SIDE PANEL 1PC



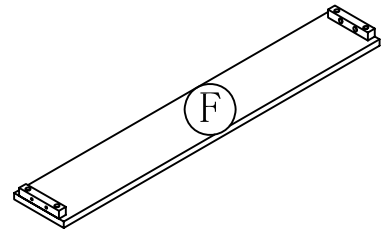
BACK UP CROSS
BRACE 1PC



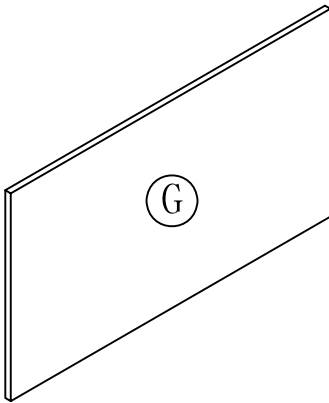
BACK DOWN CROSS
BRACE 1PC



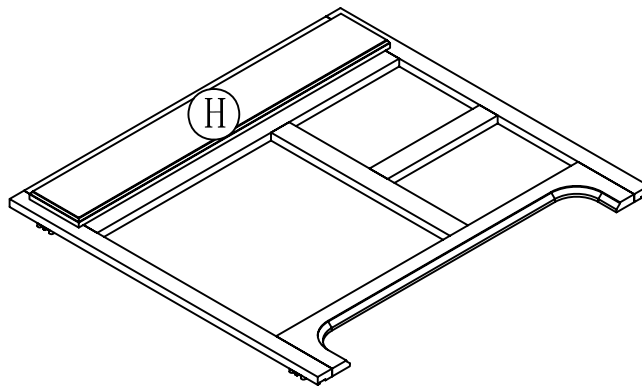
BACK PARTITION
PANEL 1PC



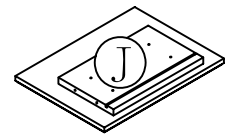
TOE KICK PANEL 1PC



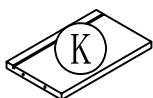
BOTTOM PANEL 1PC



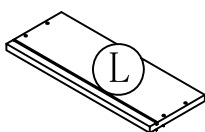
FRONT FRAME 1PC



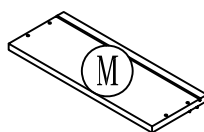
DRAWER FRONT
PANEL 2PCS



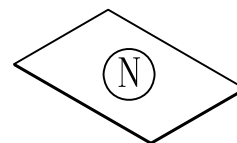
DRAWER BACK
PANEL 2PCS



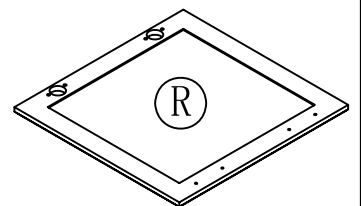
DRAWER LEFT SIDE
PANEL 2PCS



DRAWER RIGHT SIDE
PANEL 2PCS



DRAWER BOTTOM
PANEL 2PCS



DOOR 1PC

HARDWARE LIST:



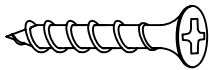
a. WOOD DOWEL 4PCS



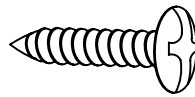
d. 1" L FLAT HEAD SCREW 4PCS



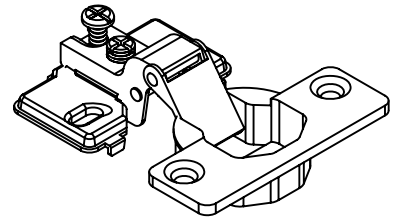
e. 1-1/2" L FLAT HEAD SCREW 16PCS



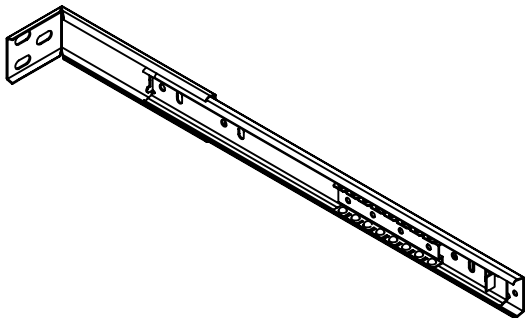
f. 5/8" L FLAT HEAD SCREW 8PCS



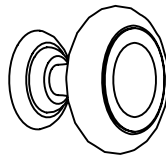
g. 1/2" ROUND HEAD SCREW 16PCS



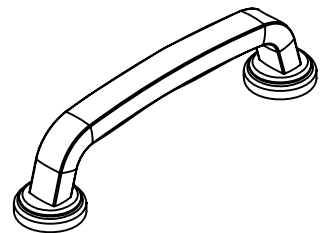
h. HINGE 2PCS



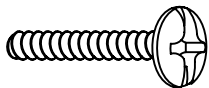
i. DRAWER GUIDE 4PCS



l. KNOB 2PCS



m. HANDLE 1PC

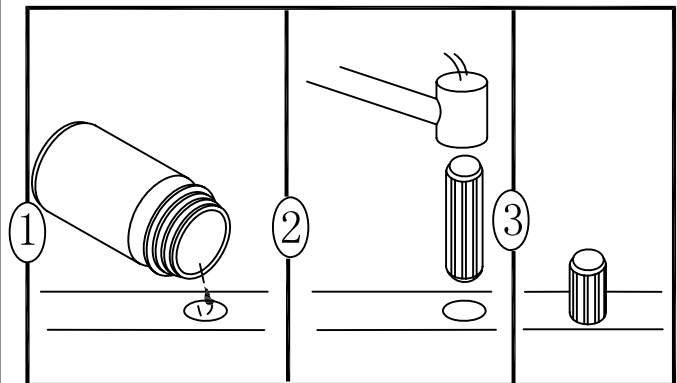
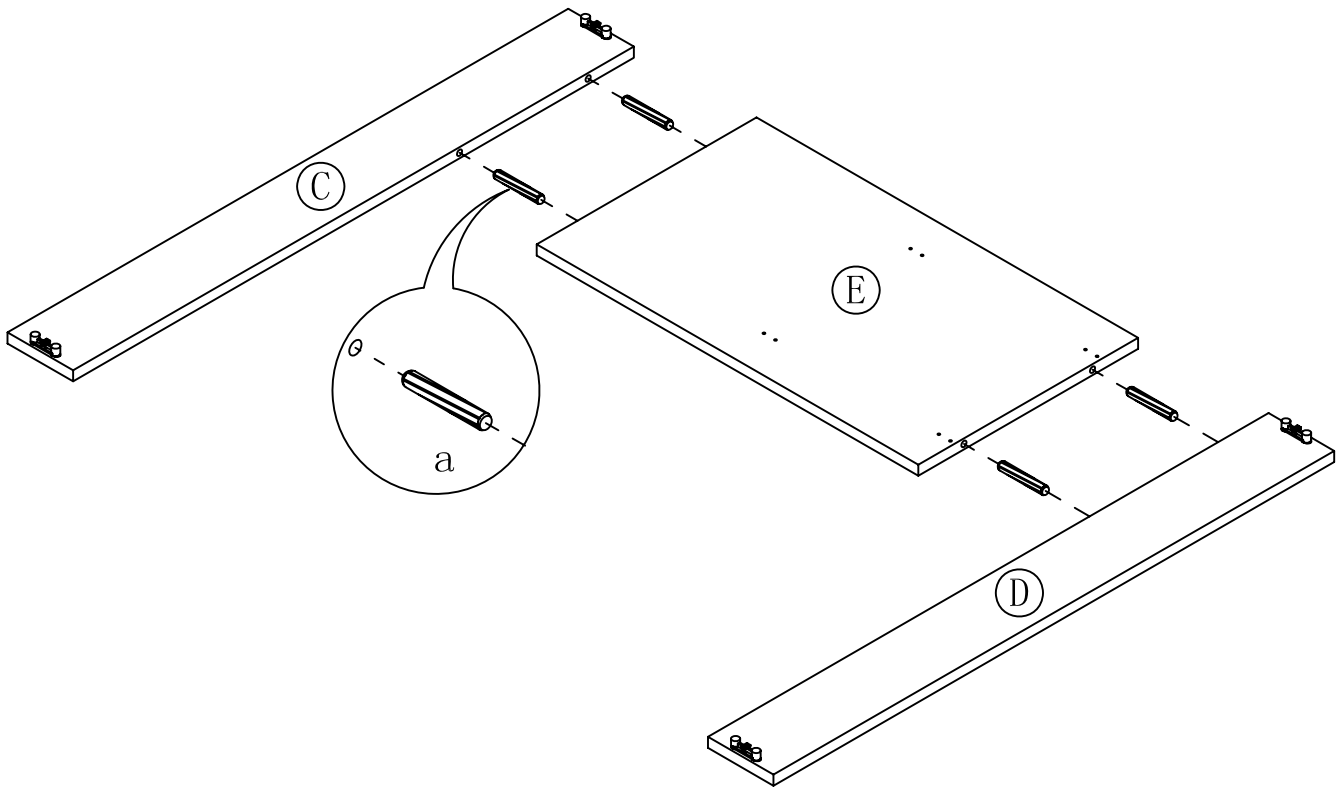


n. HANDLE (KNOB) BOLT 4PCS

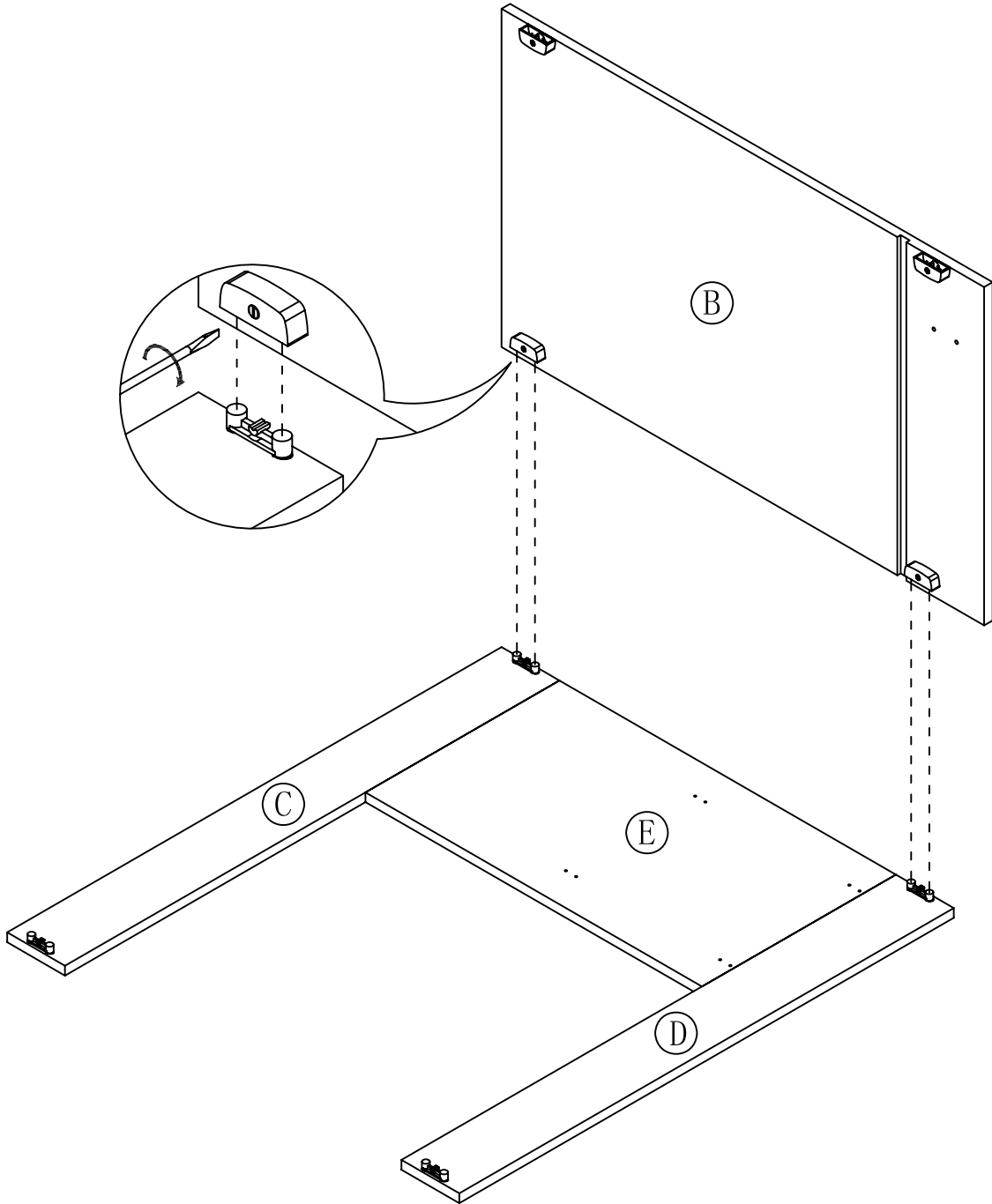


p. GLUE 1PC

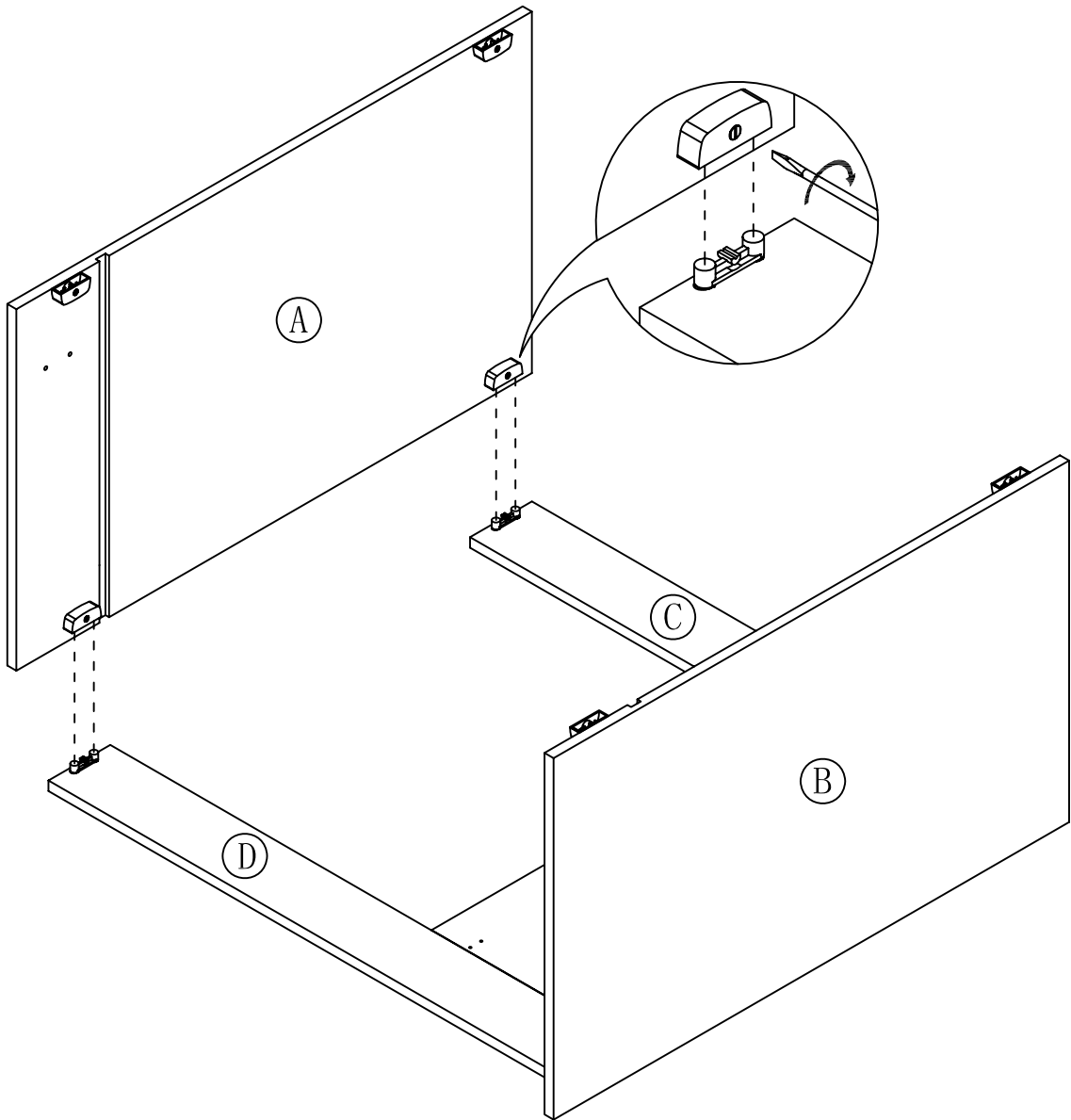
STEP 1



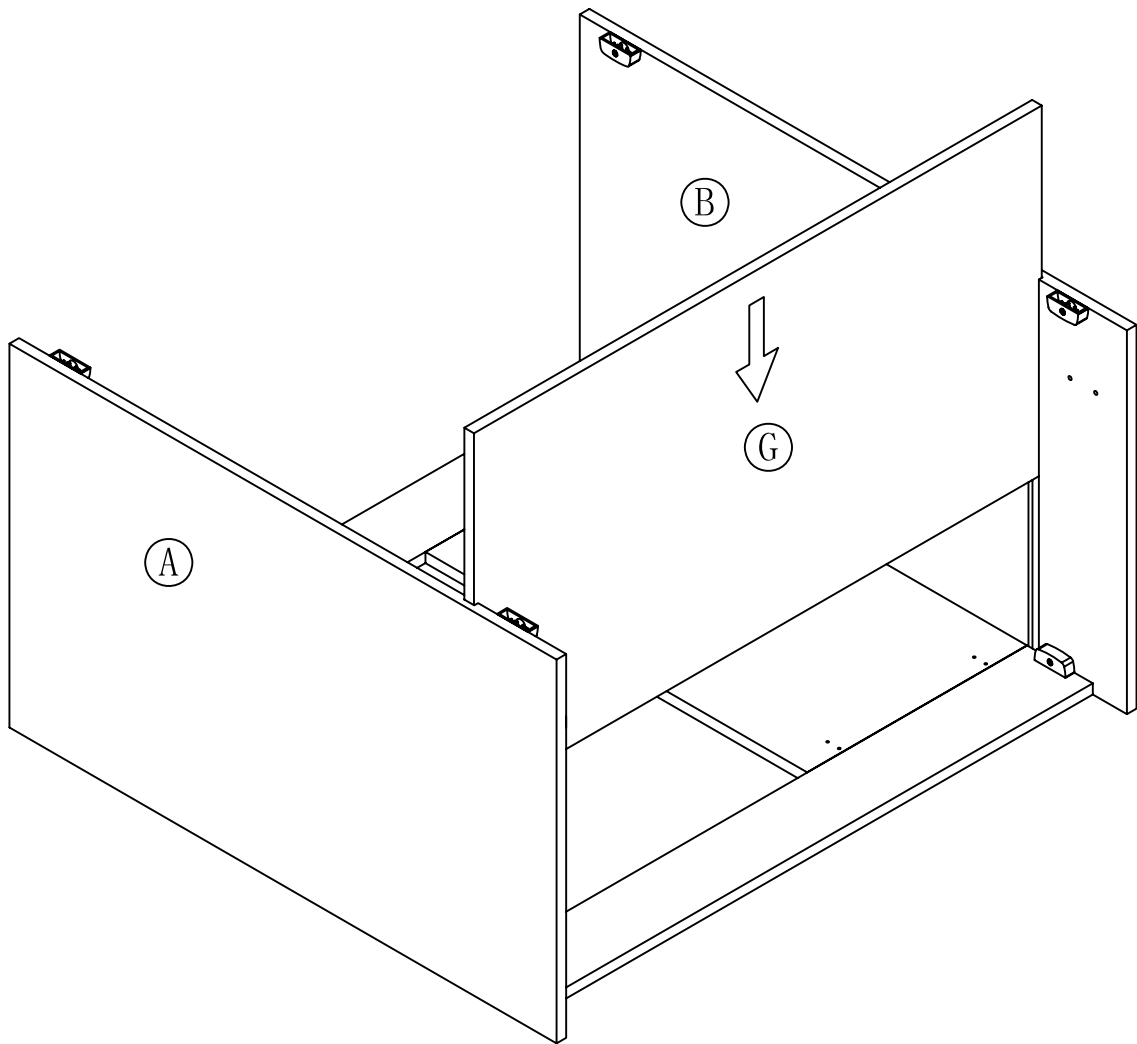
STEP 2



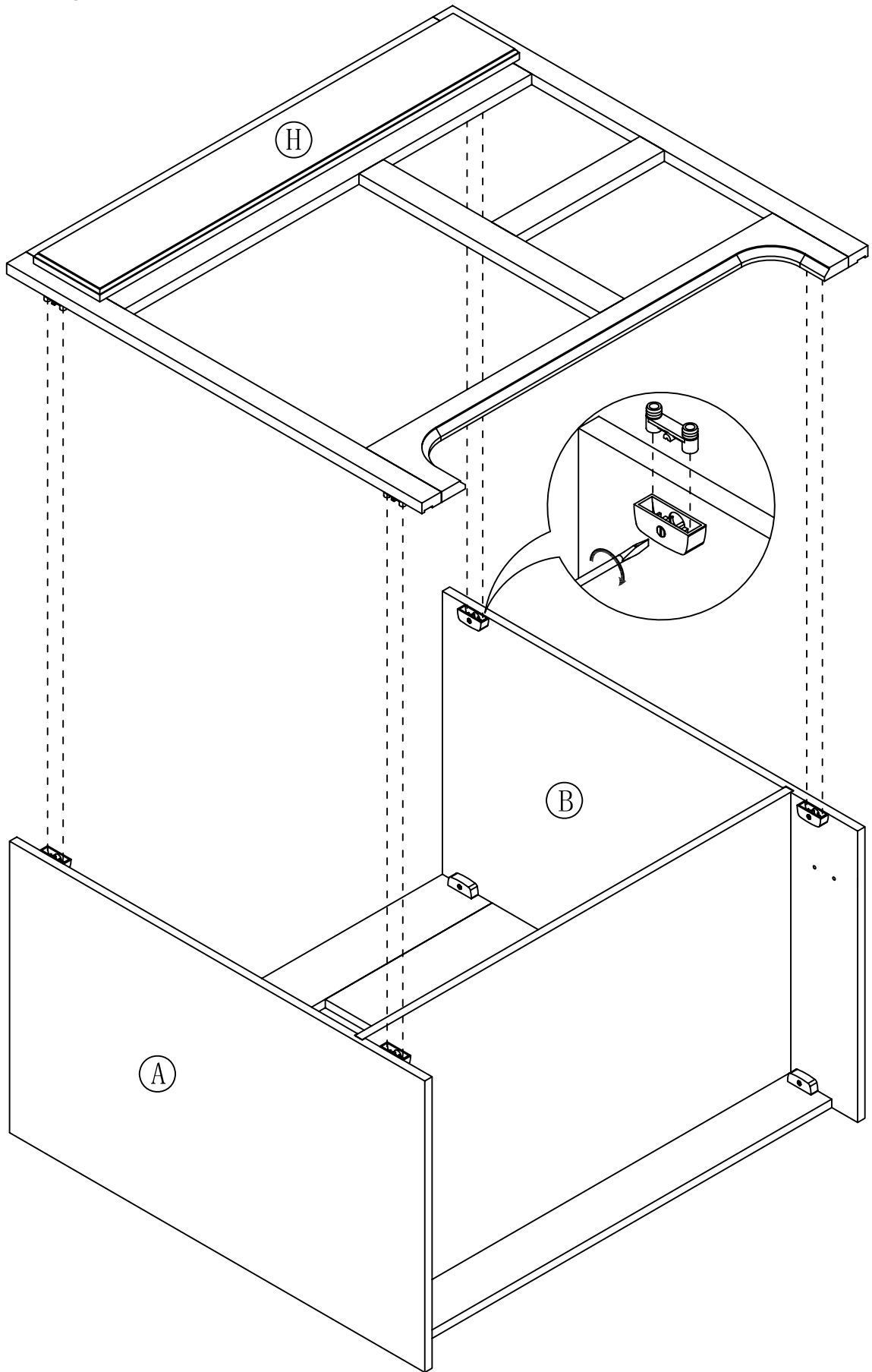
STEP 3



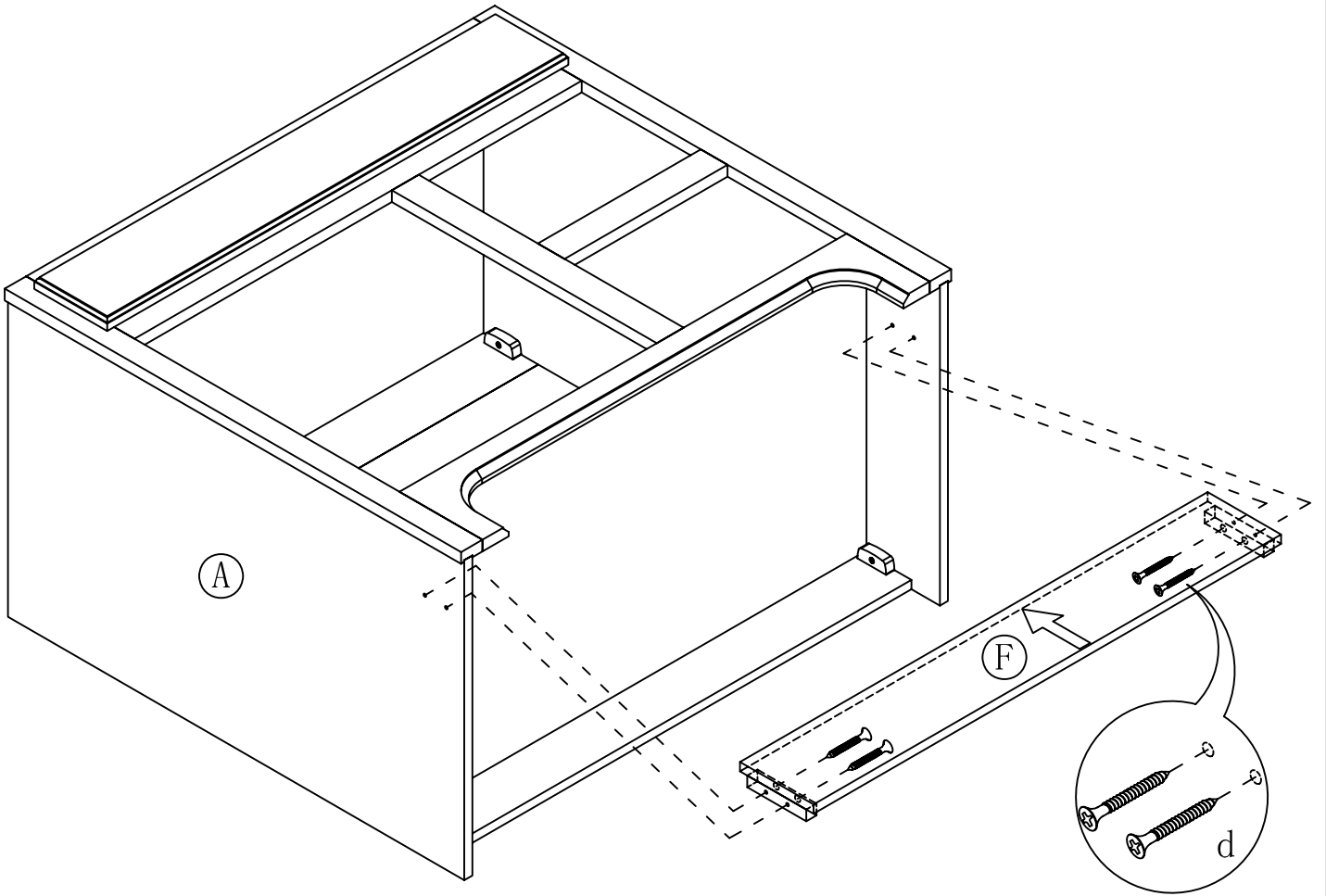
STEP 4



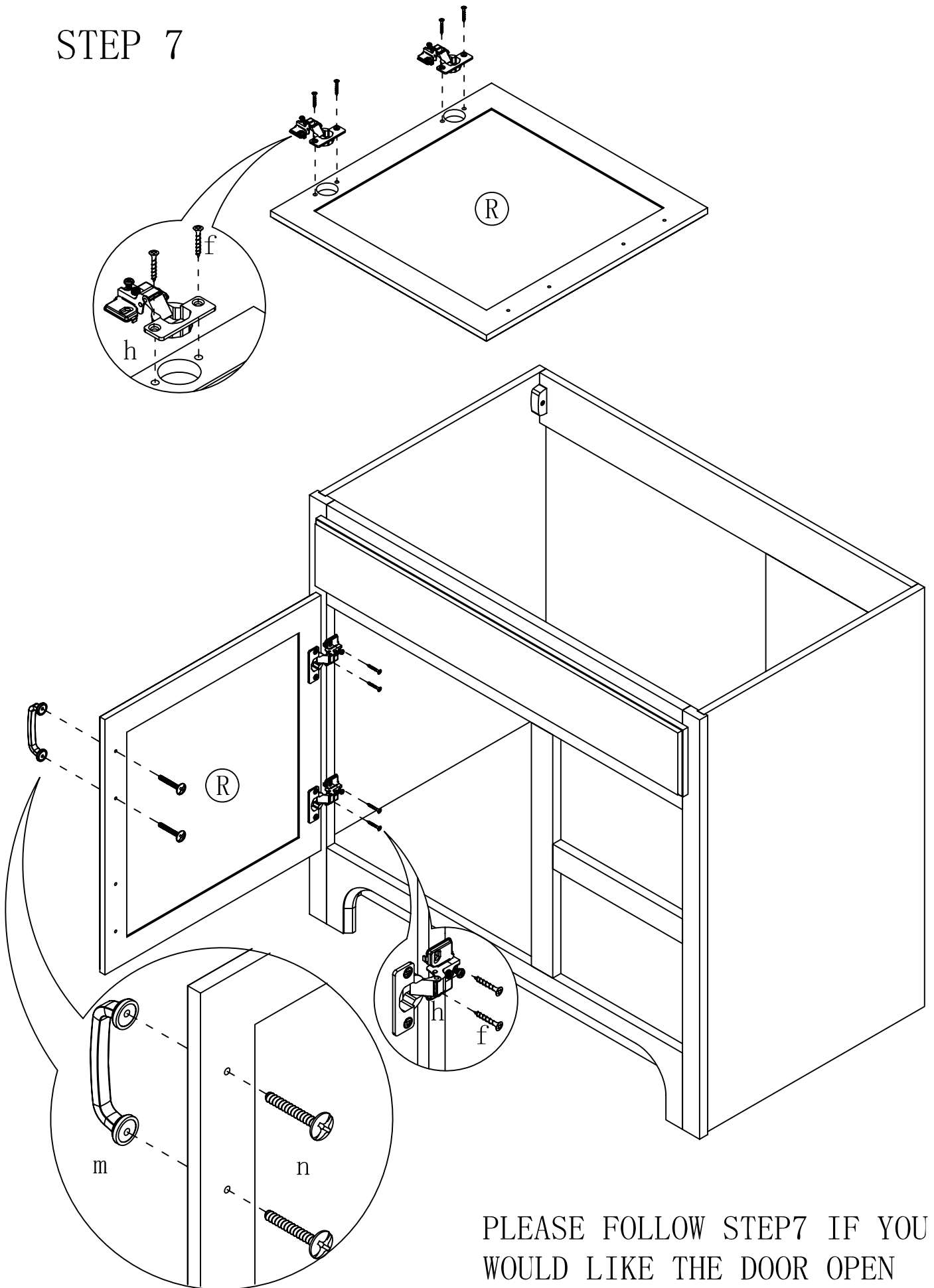
STEP 5



STEP 6

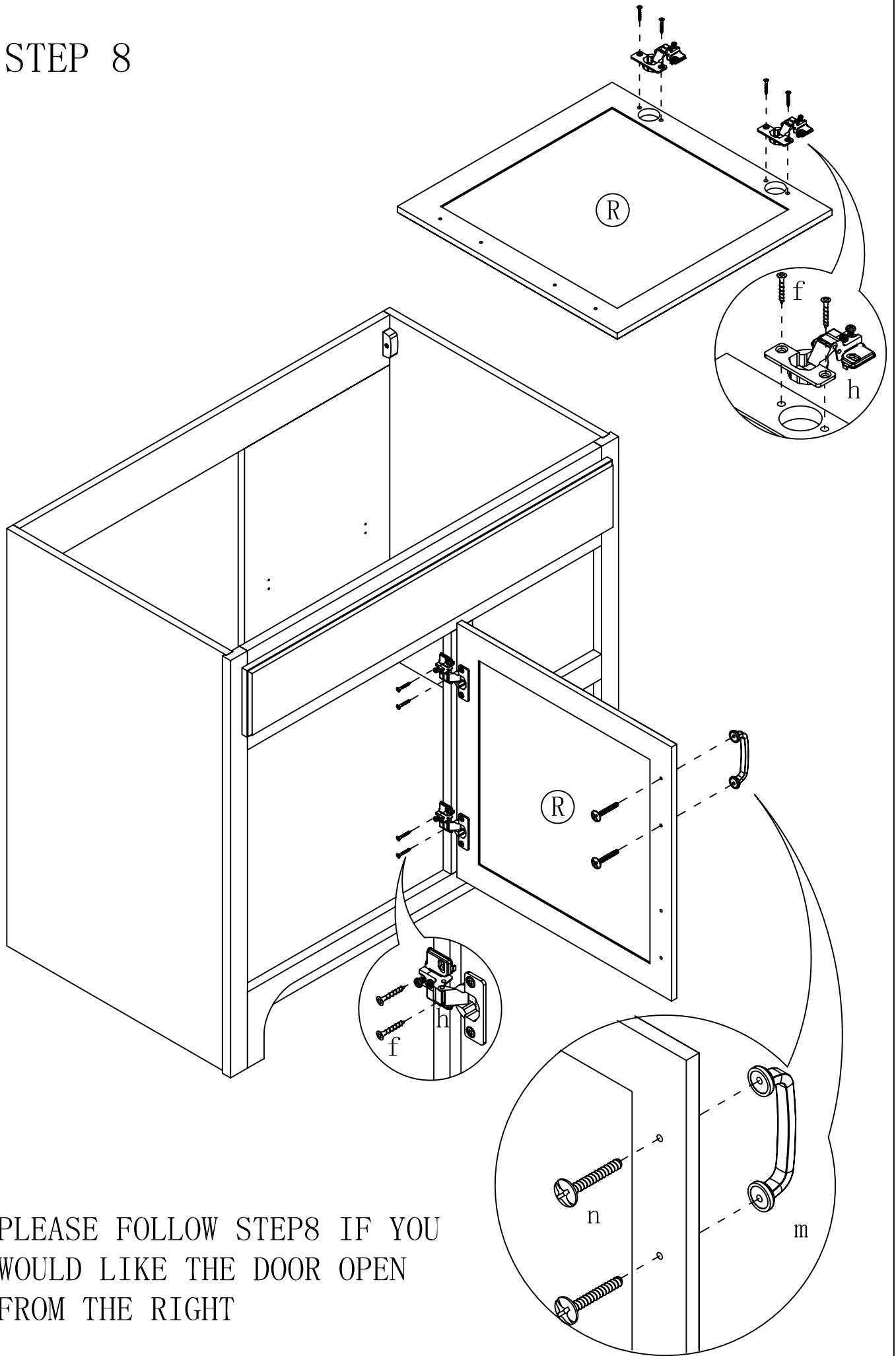


STEP 7



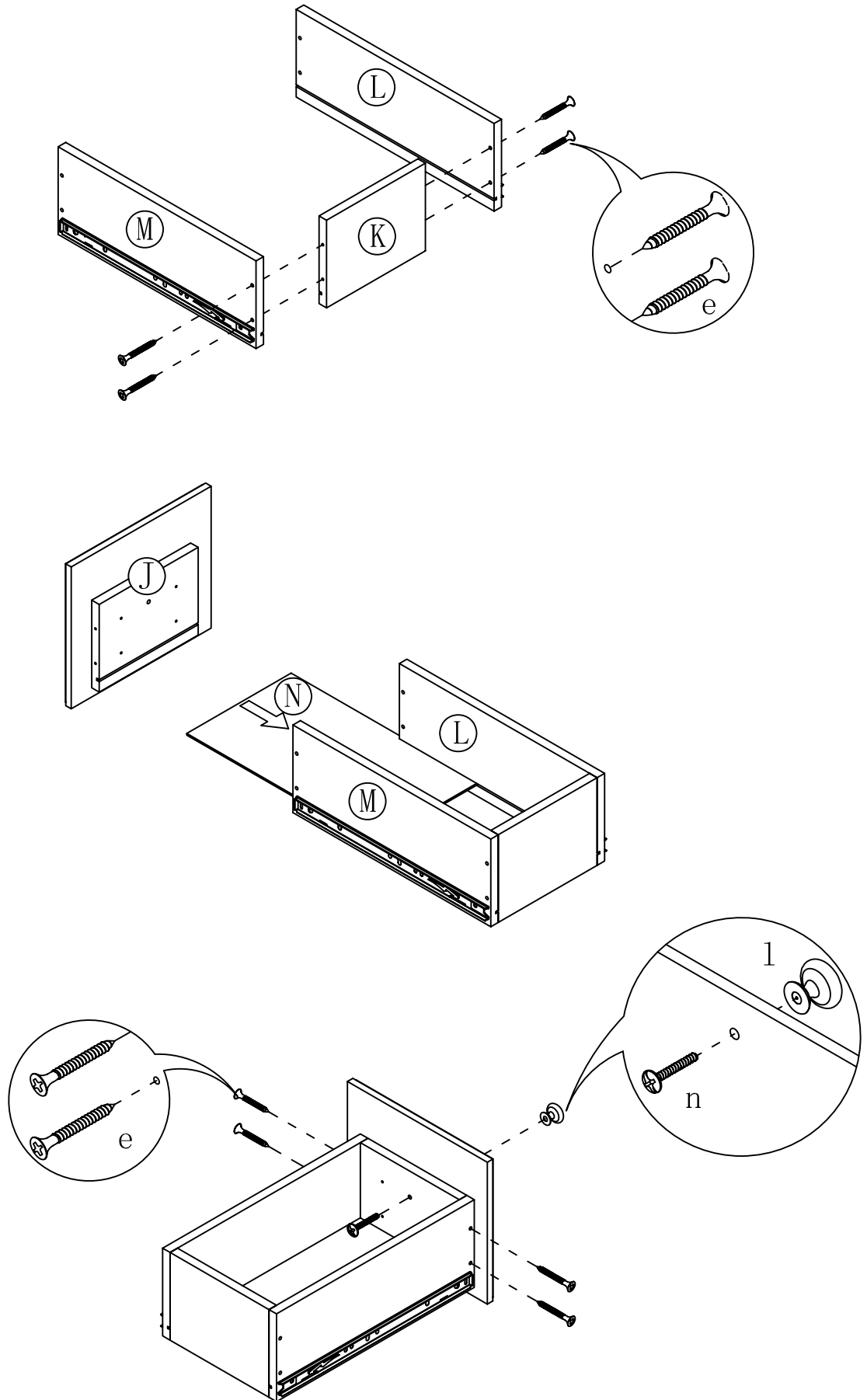
PLEASE FOLLOW STEP7 IF YOU WOULD LIKE THE DOOR OPEN FROM THE LEFT

STEP 8

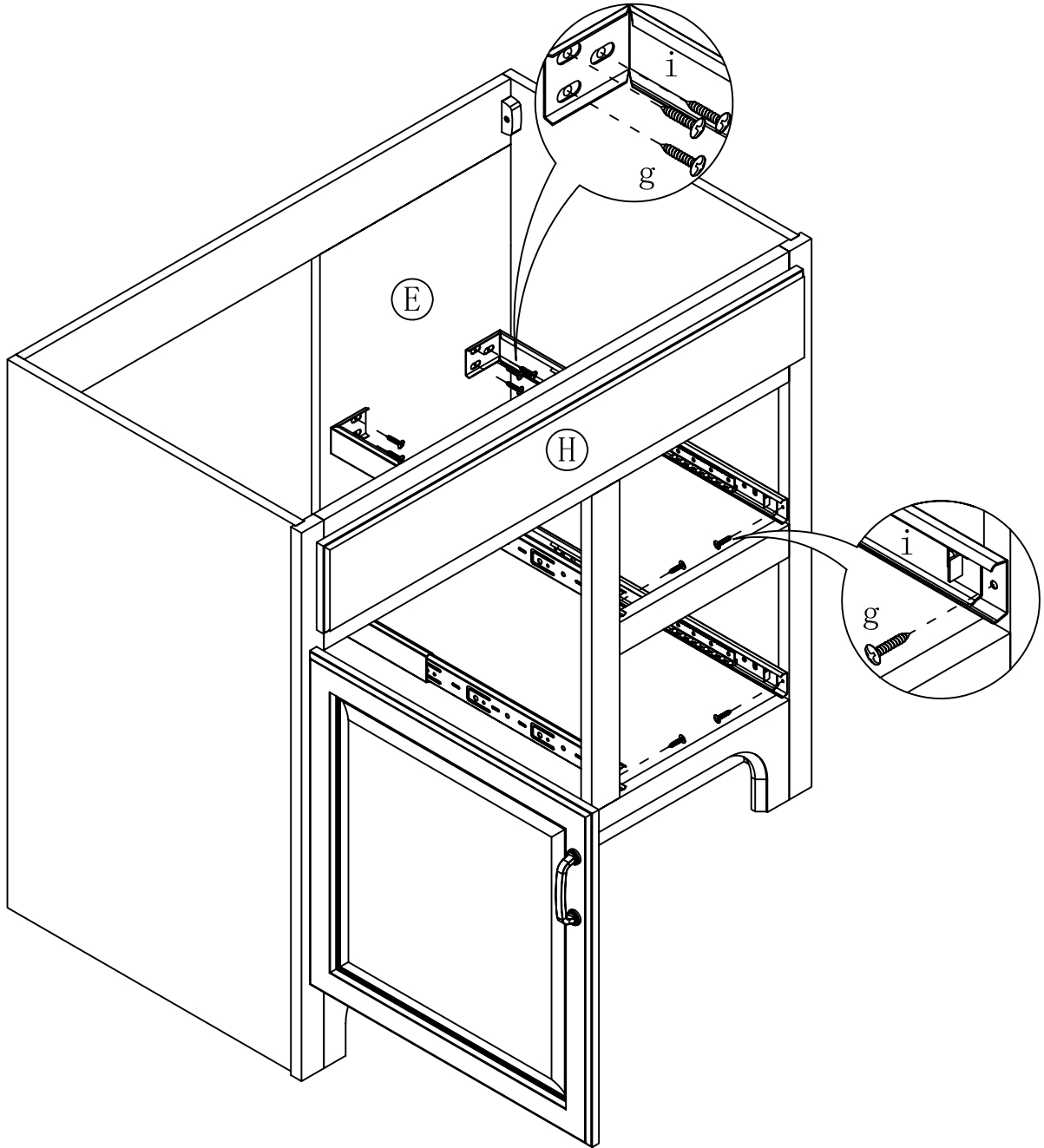


PLEASE FOLLOW STEP8 IF YOU
WOULD LIKE THE DOOR OPEN
FROM THE RIGHT

STEP 9



STEP 10



STEP 11

