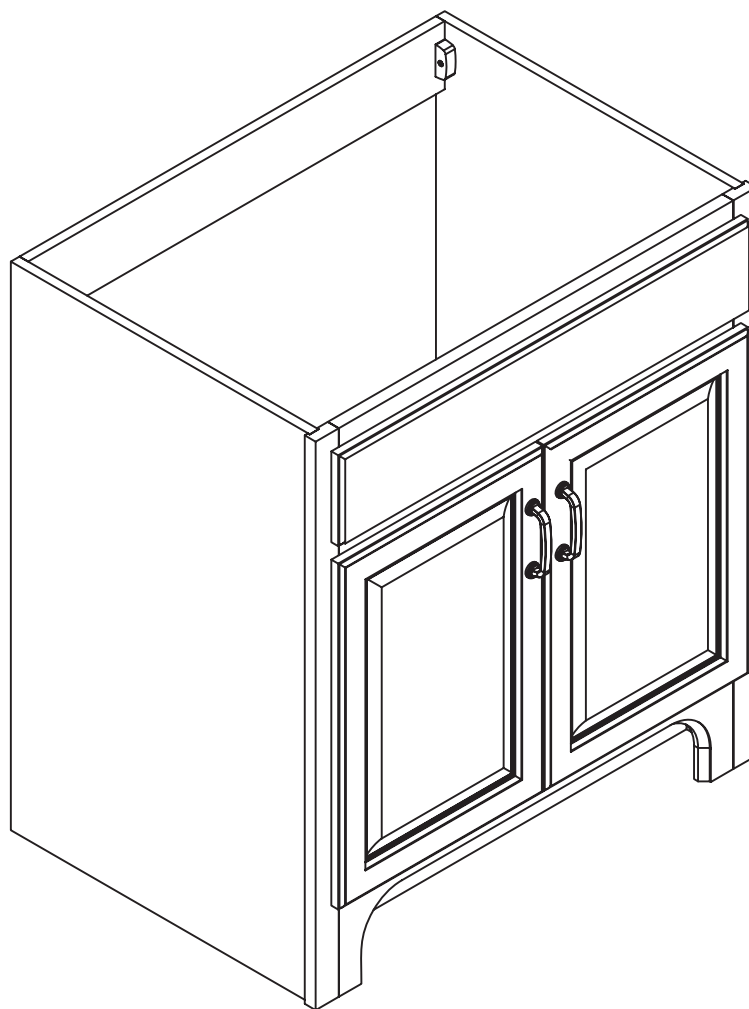




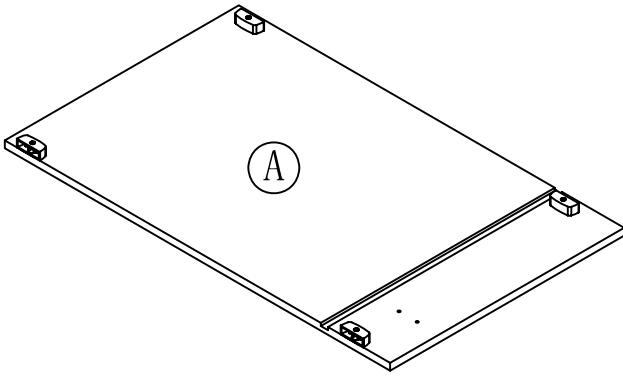
**ADVANCED**  
GLOBAL COMMERCE

---

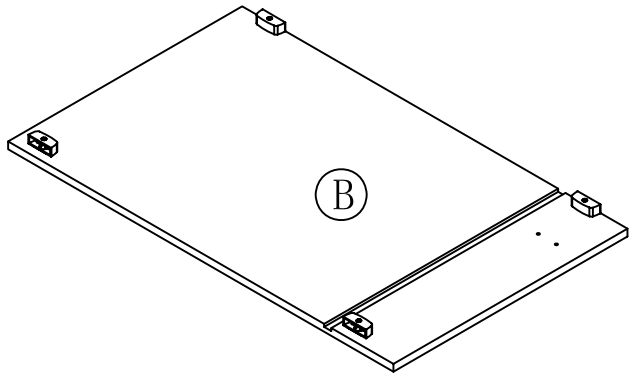


530394 • 530386 • 541110 • 541144  
**ASSEMBLY INSTRUCTIONS**

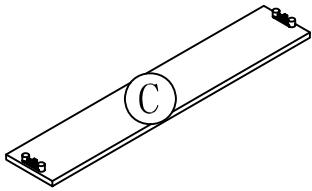
# PARTS LIST:



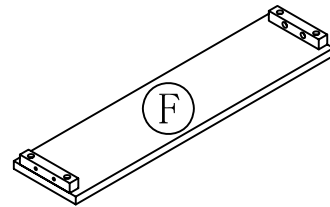
LEFT SIDE PANEL 1PC



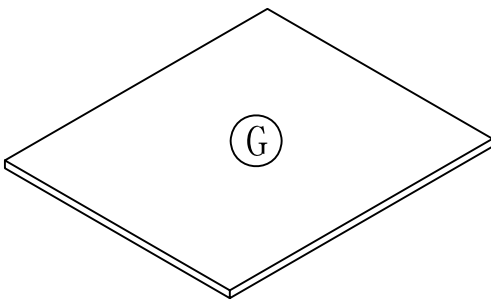
RIGHT SIDE PANEL 1PC



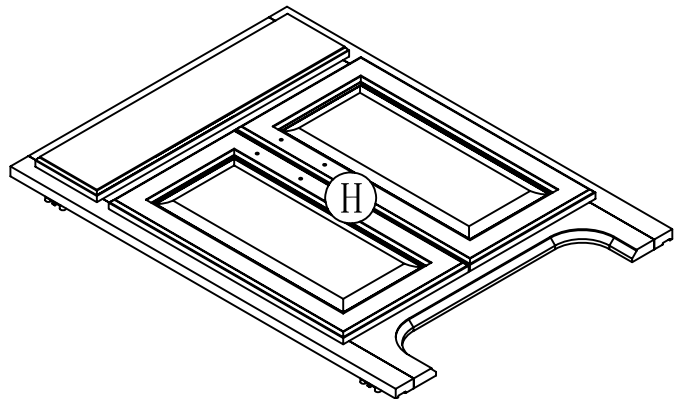
BACK CROSS BRACE 2PCS



TOE KICK PANEL 1PC



BOTTOM PANEL 1PC

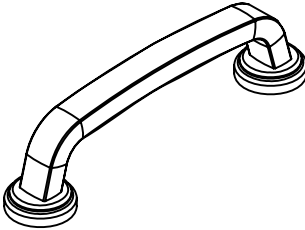


FRONT FRAME 1PC

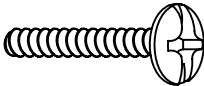
# HARDWARE LIST:



d. 1"L FLAT HEAD  
SCREW 4PCS

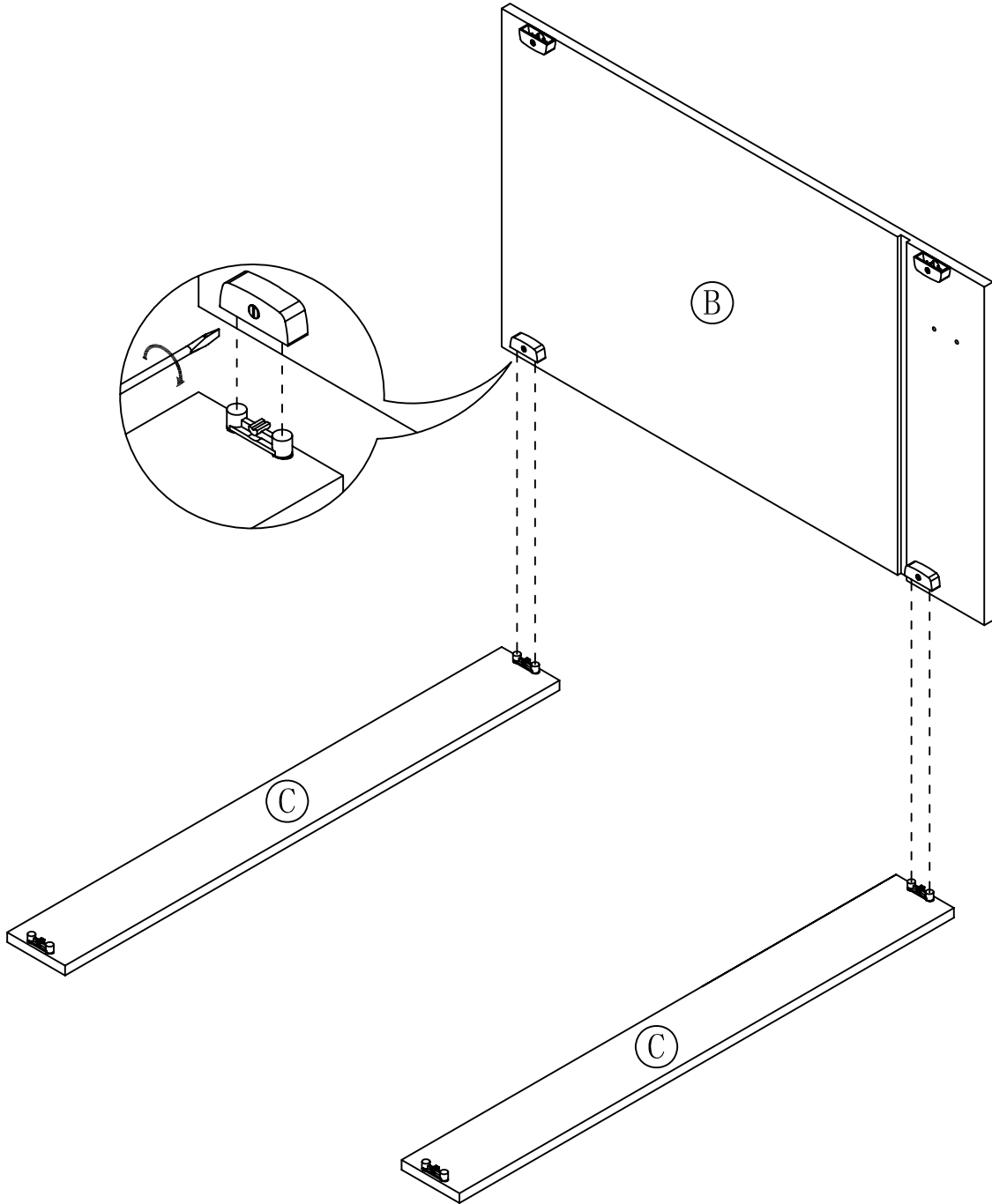


m. HANDLE 2PCS

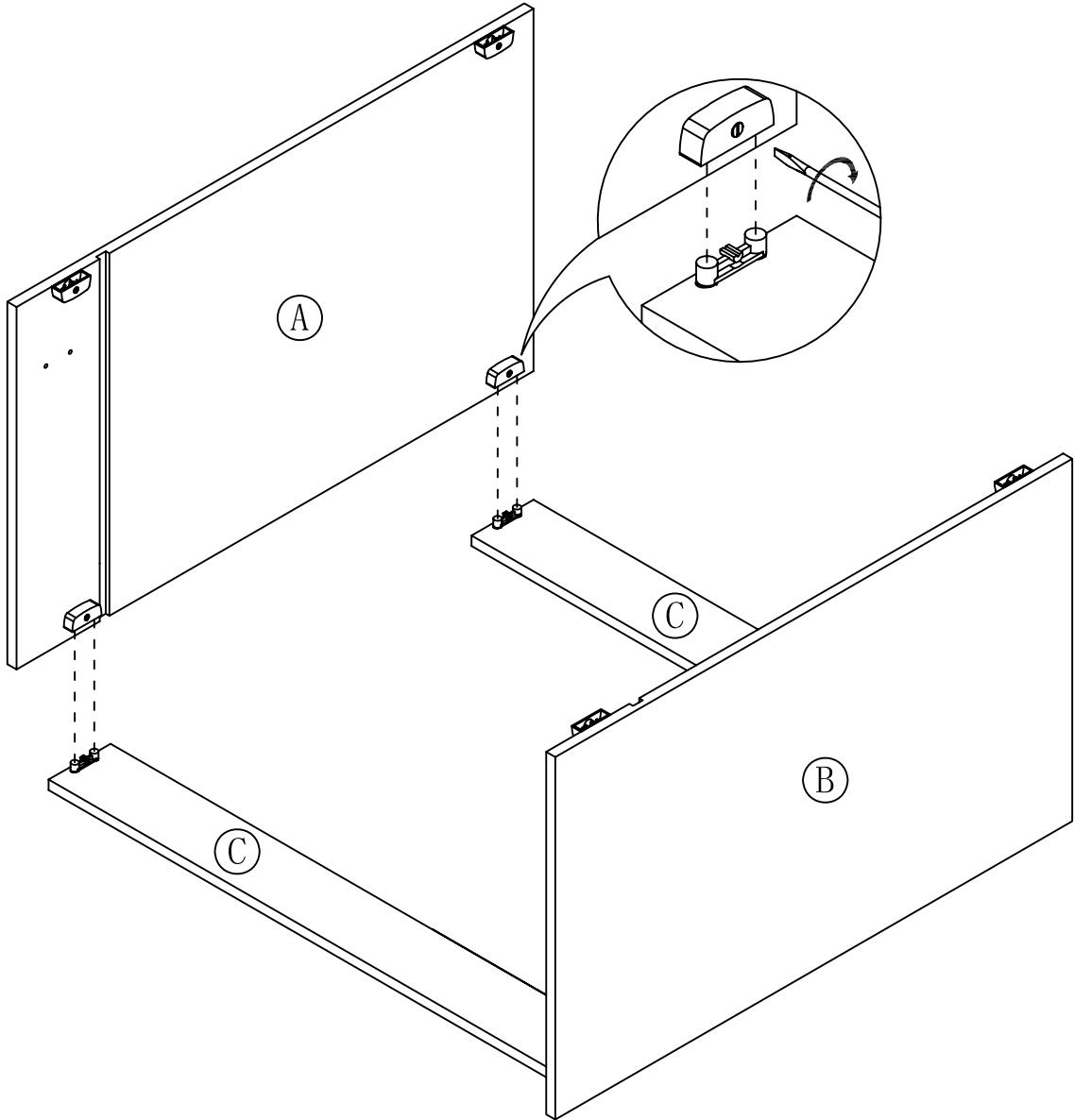


n. HANDLE  
BOLT 4PCS

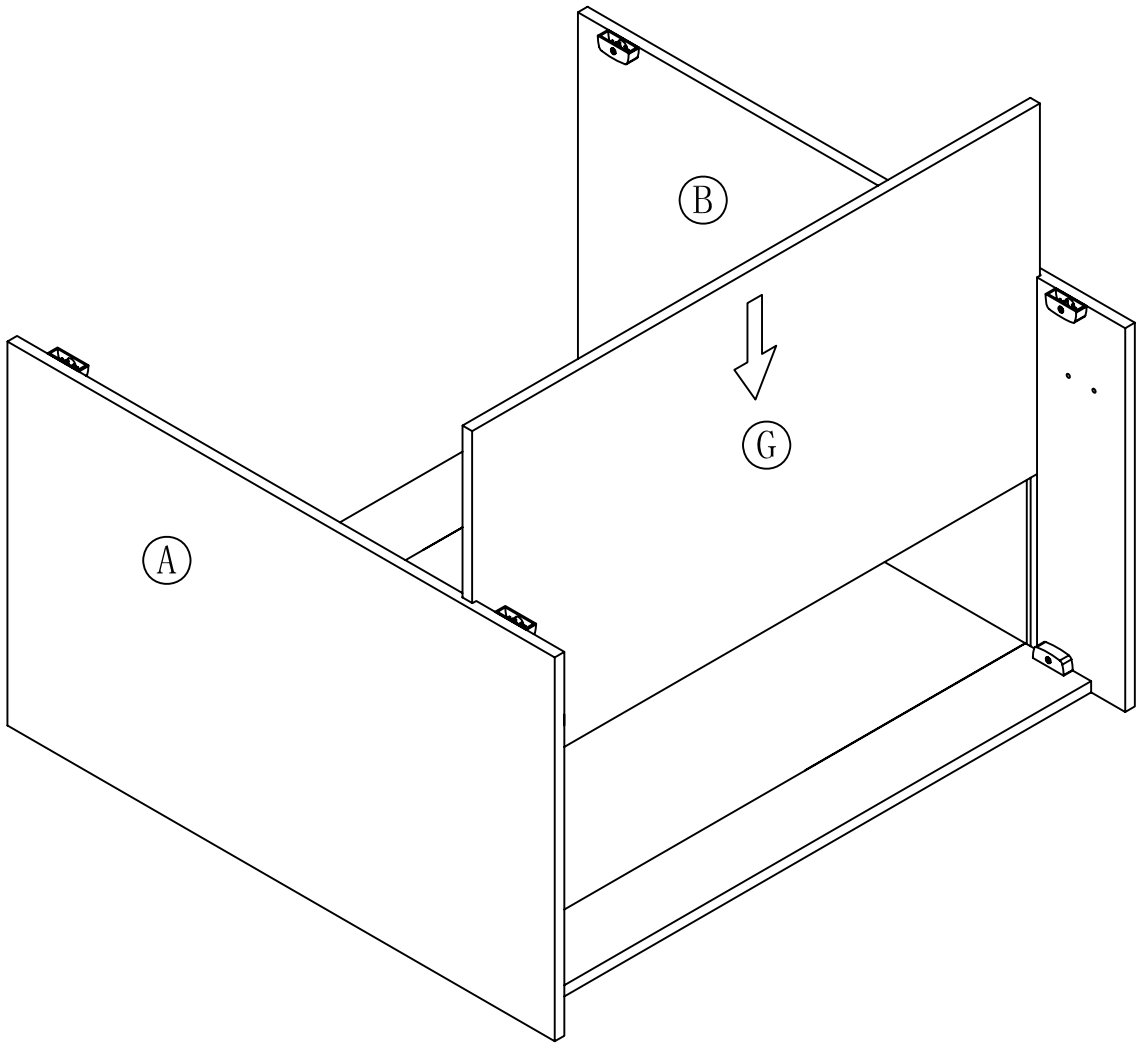
# STEP 1



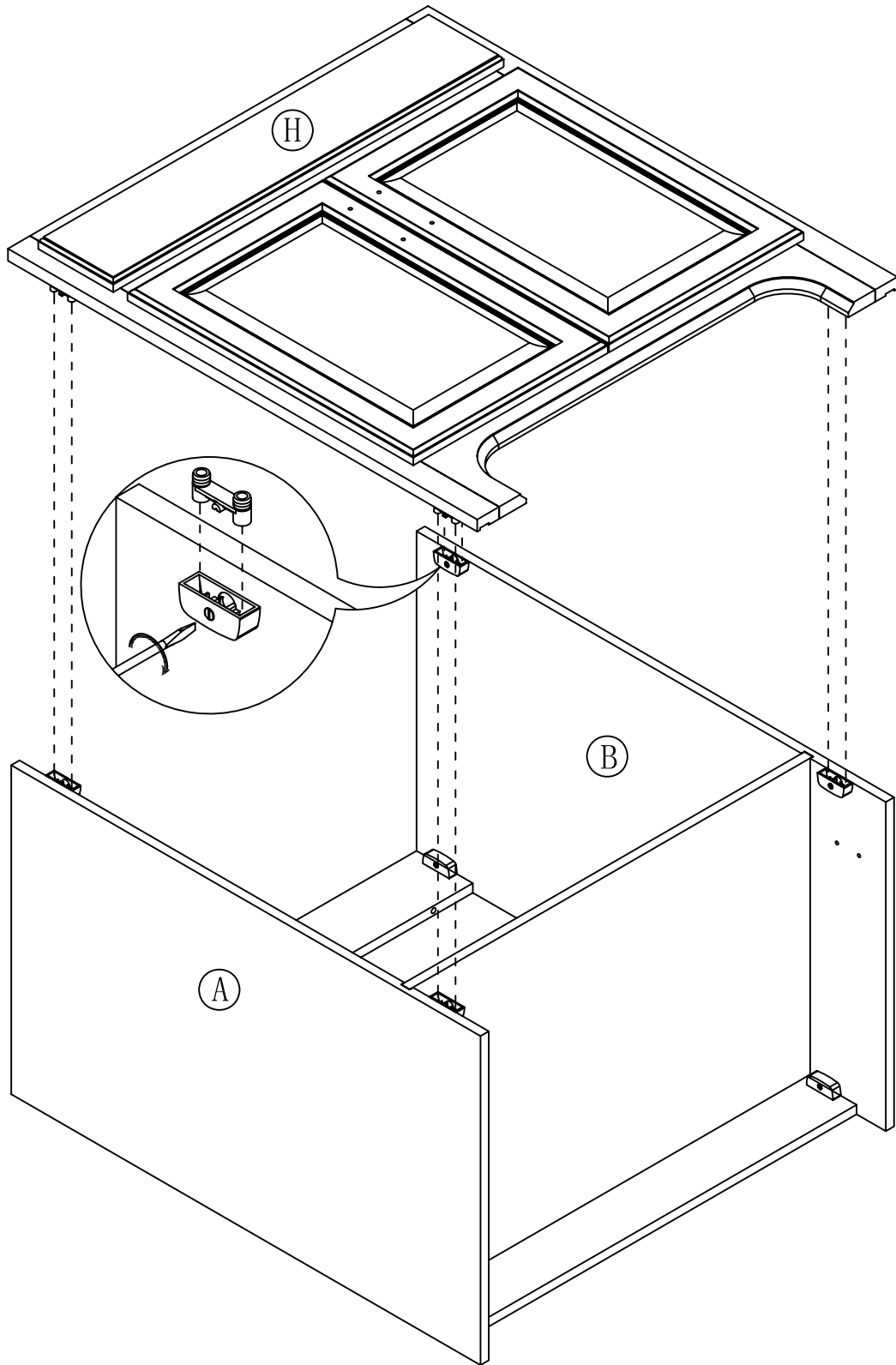
# STEP 2



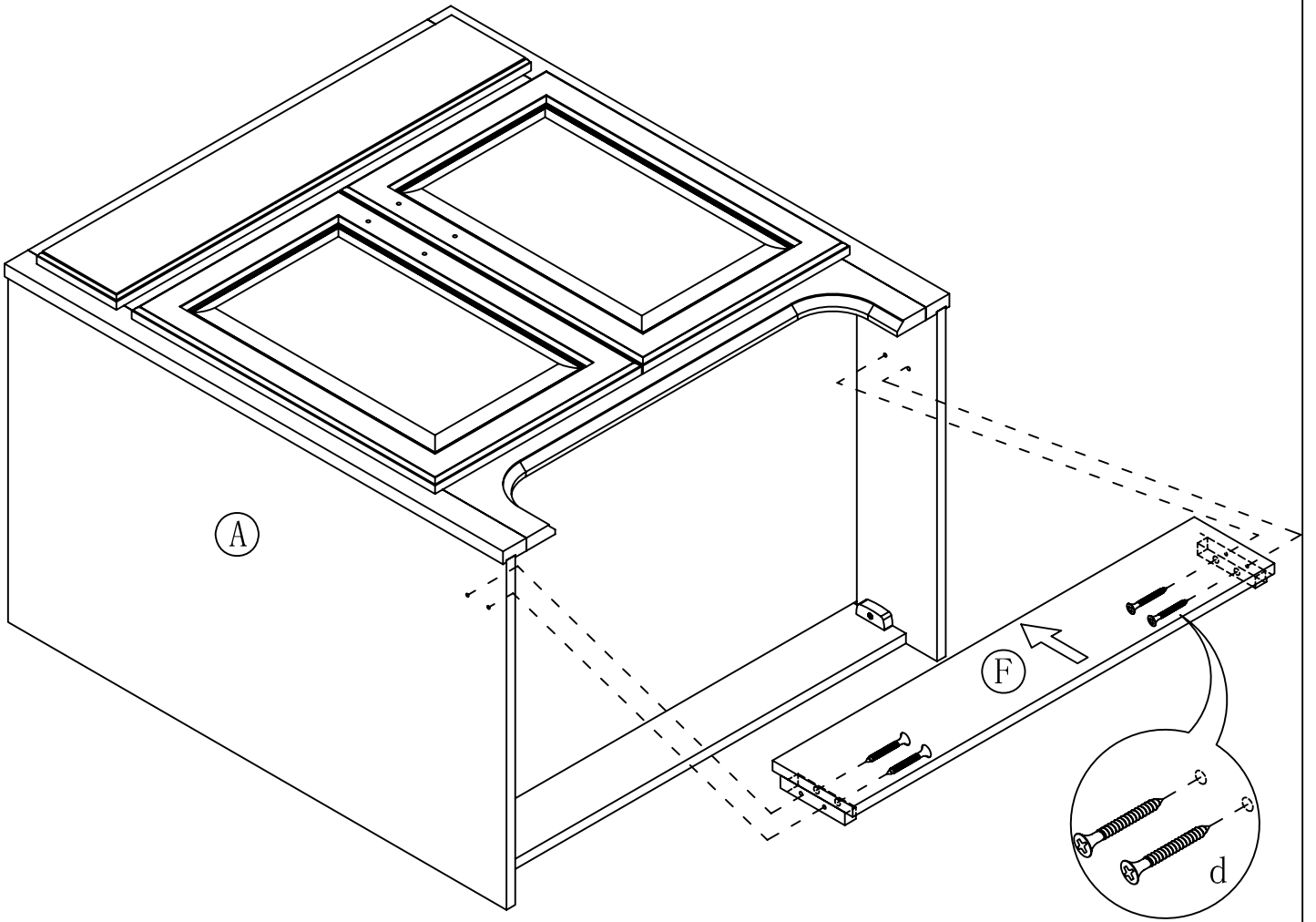
# STEP 3



# STEP 4



# STEP 5





# STEP 6

