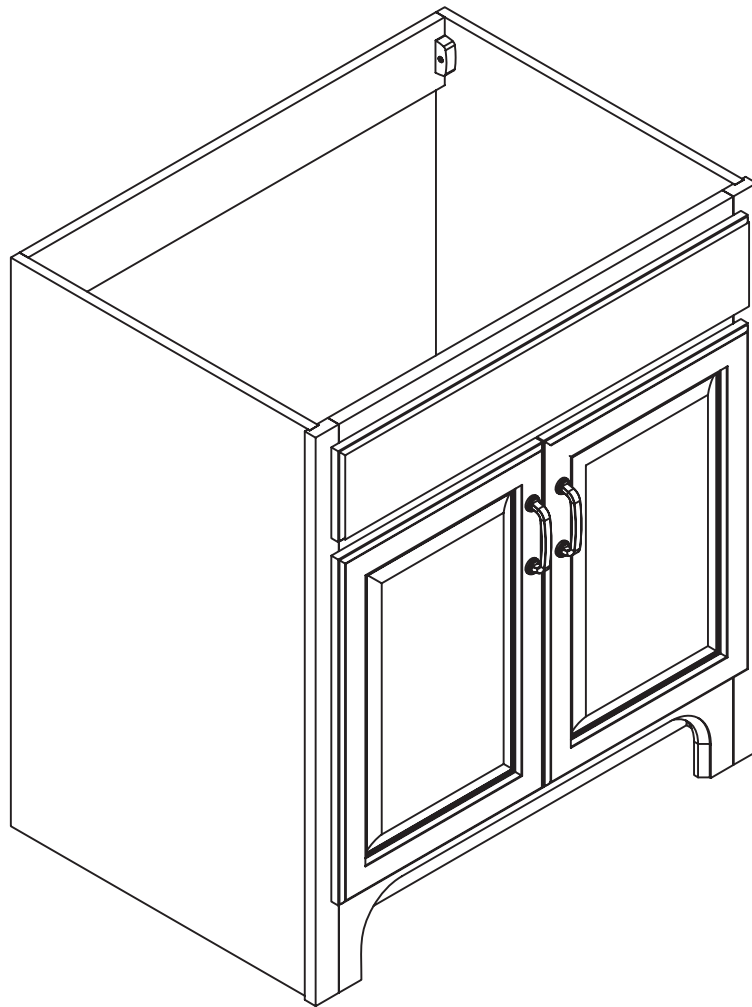


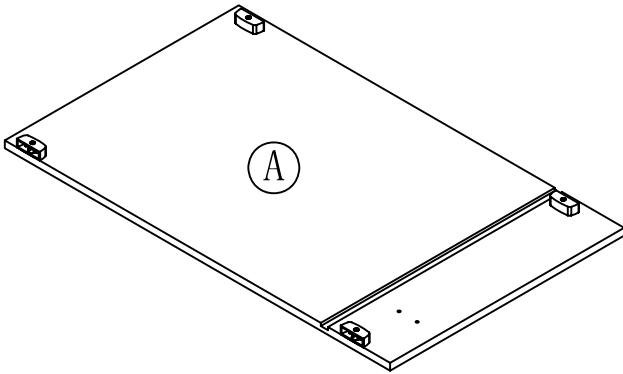


ADVANCED
GLOBAL COMMERCE

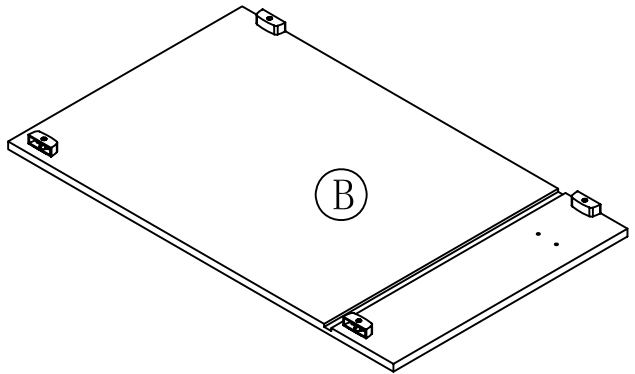


530394 • 530386 • 541110 • 541144
ASSEMBLY INSTRUCTIONS

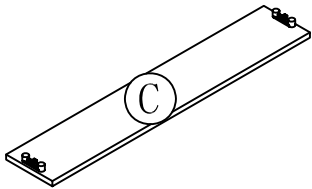
PARTS LIST:



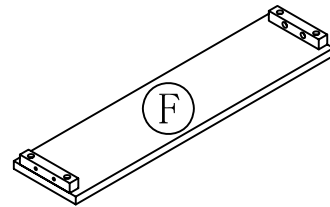
LEFT SIDE PANEL 1PC



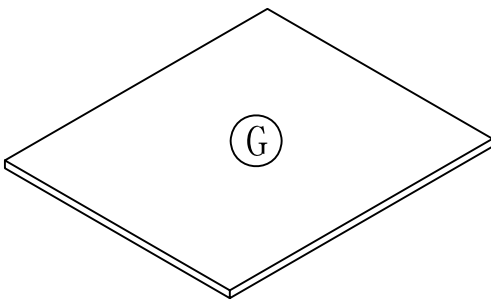
RIGHT SIDE PANEL 1PC



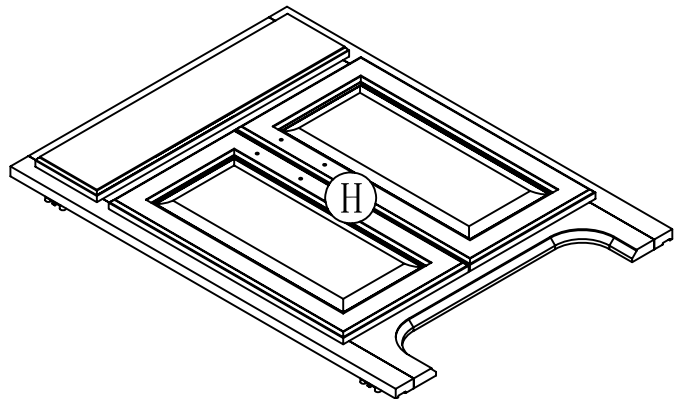
BACK CROSS BRACE 2PCS



TOE KICK PANEL 1PC



BOTTOM PANEL 1PC

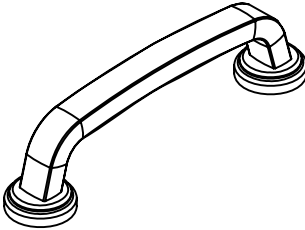


FRONT FRAME 1PC

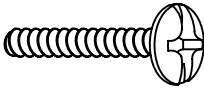
HARDWARE LIST:



d. 1"L FLAT HEAD
SCREW 4PCS

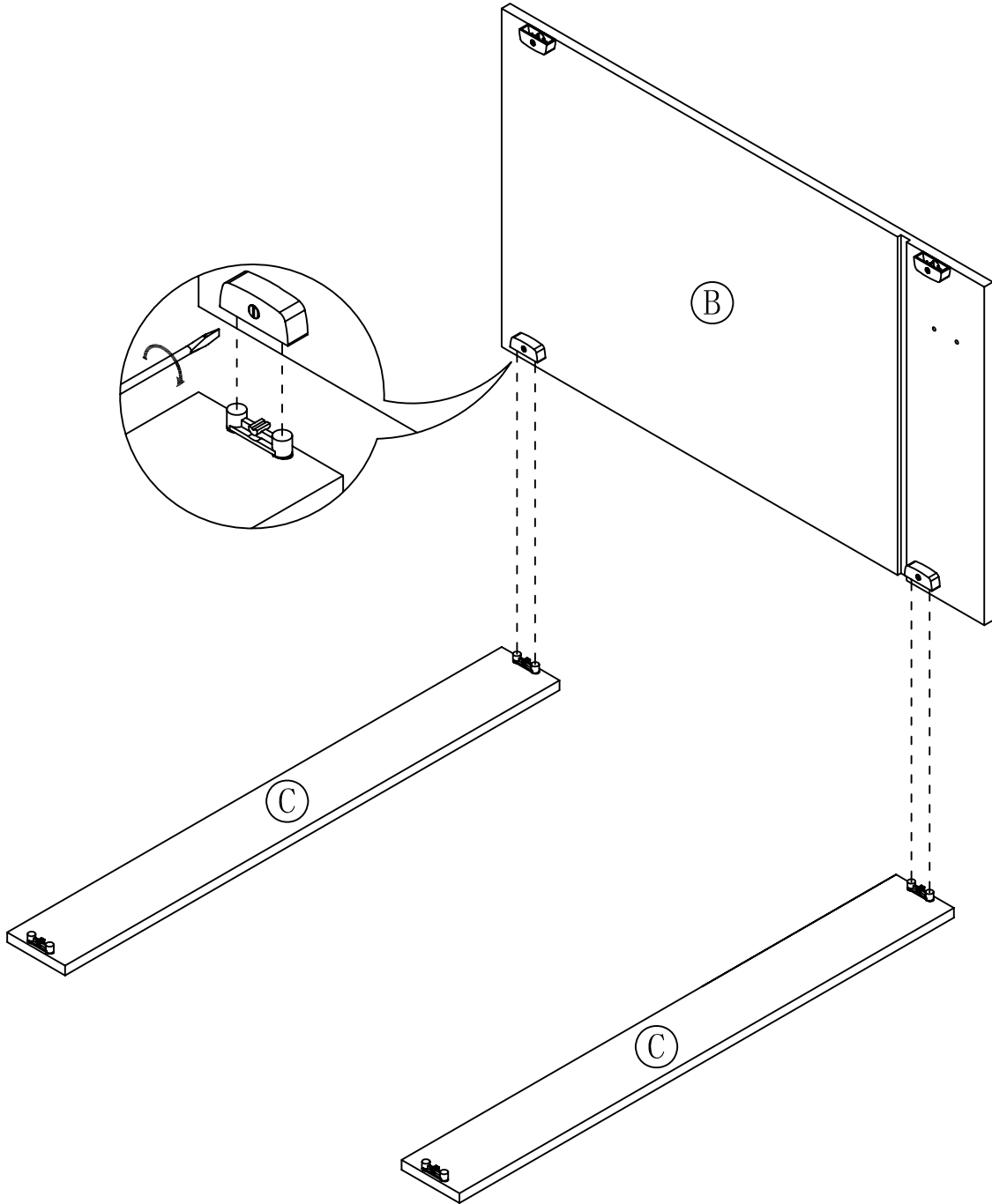


m. HANDLE 2PCS

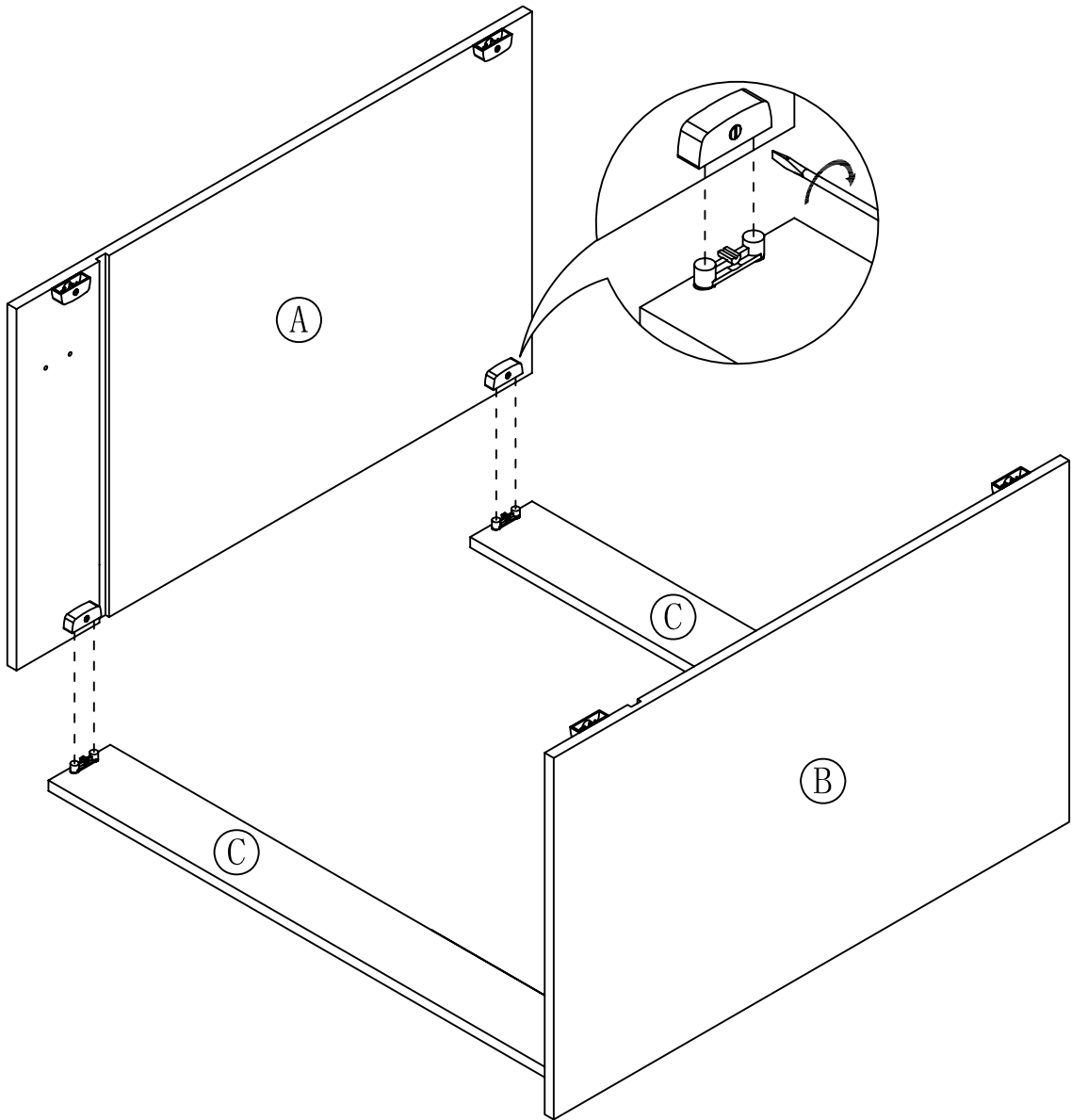


n. HANDLE
BOLT 4PCS

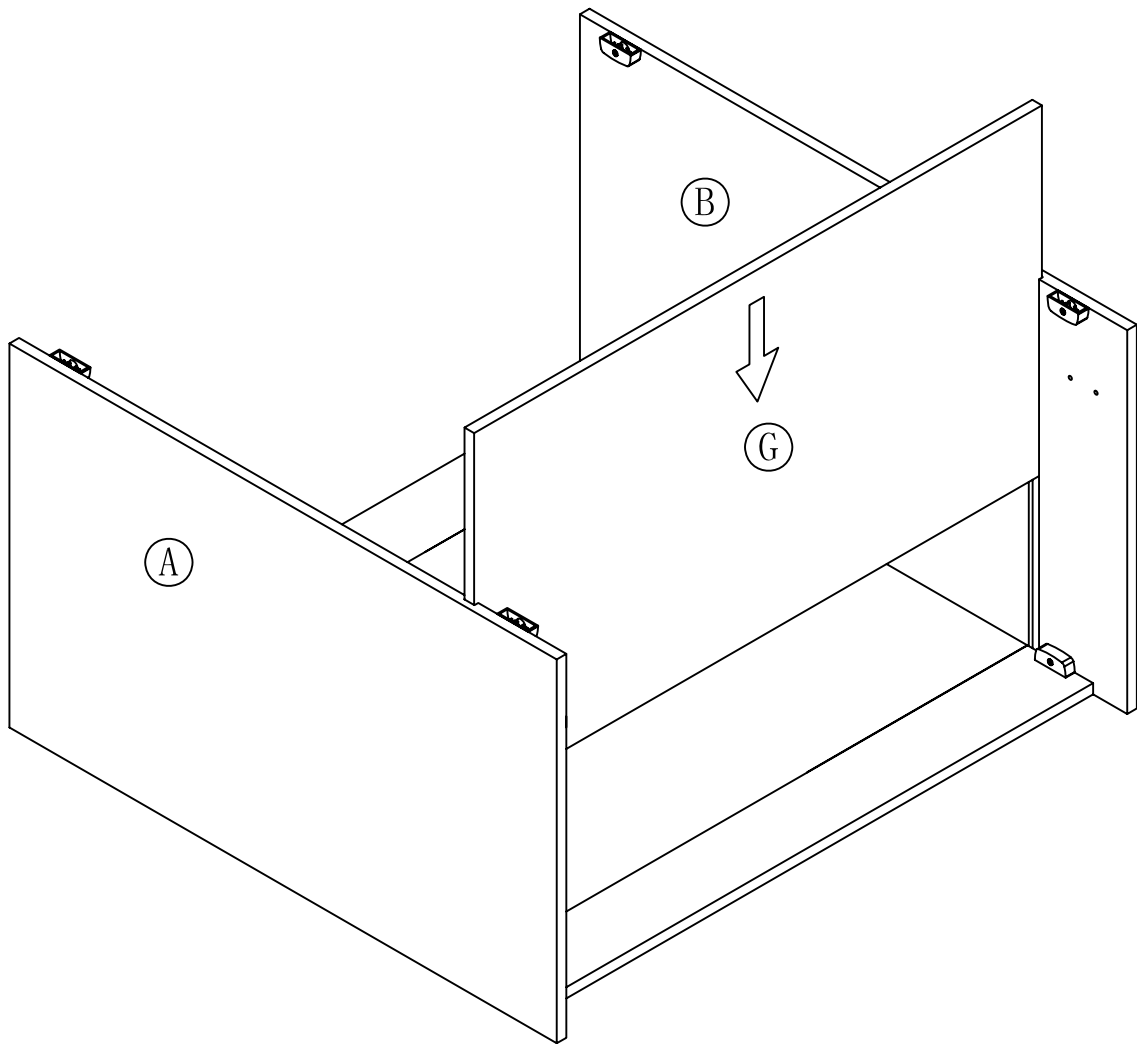
STEP 1



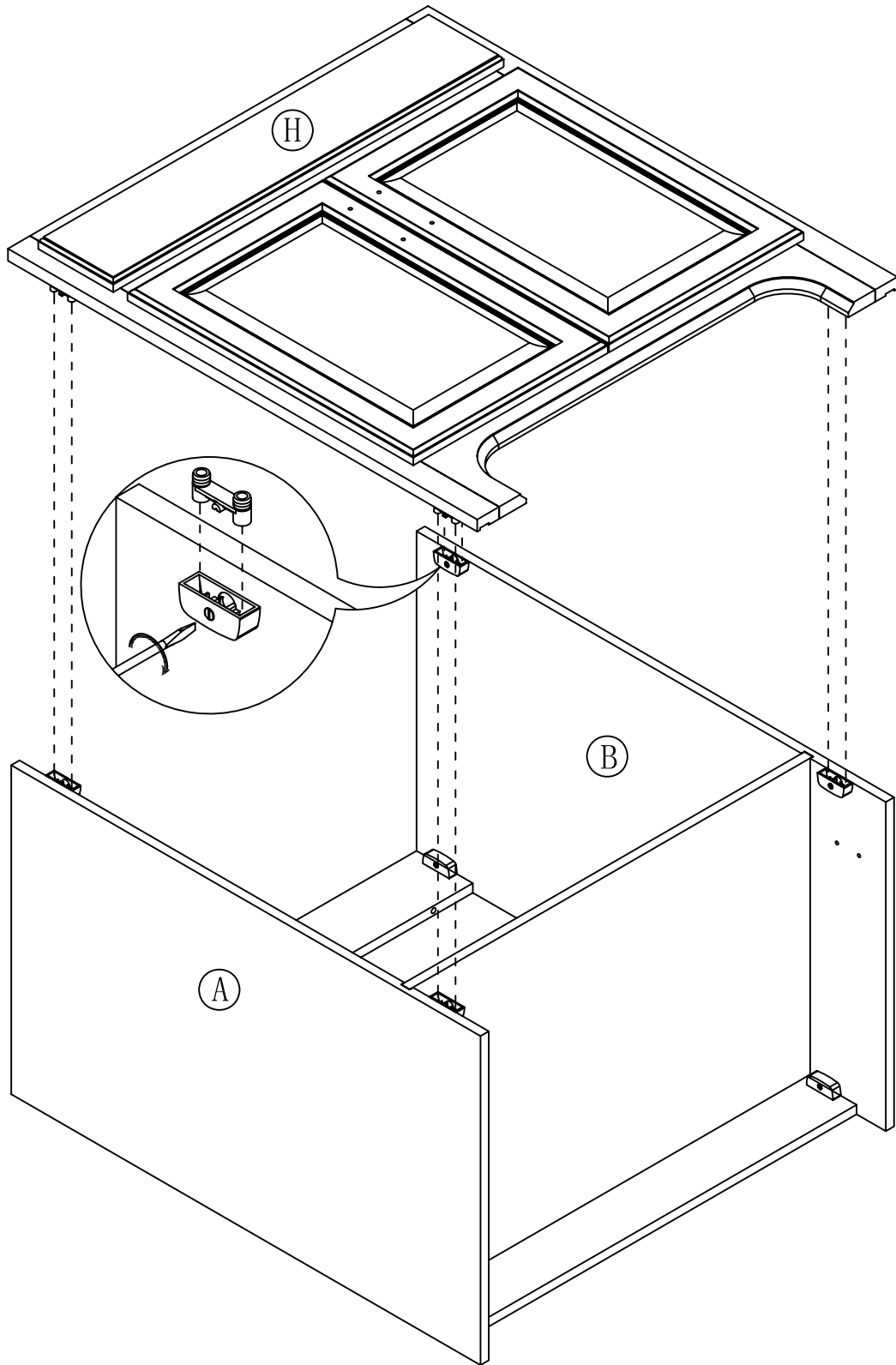
STEP 2



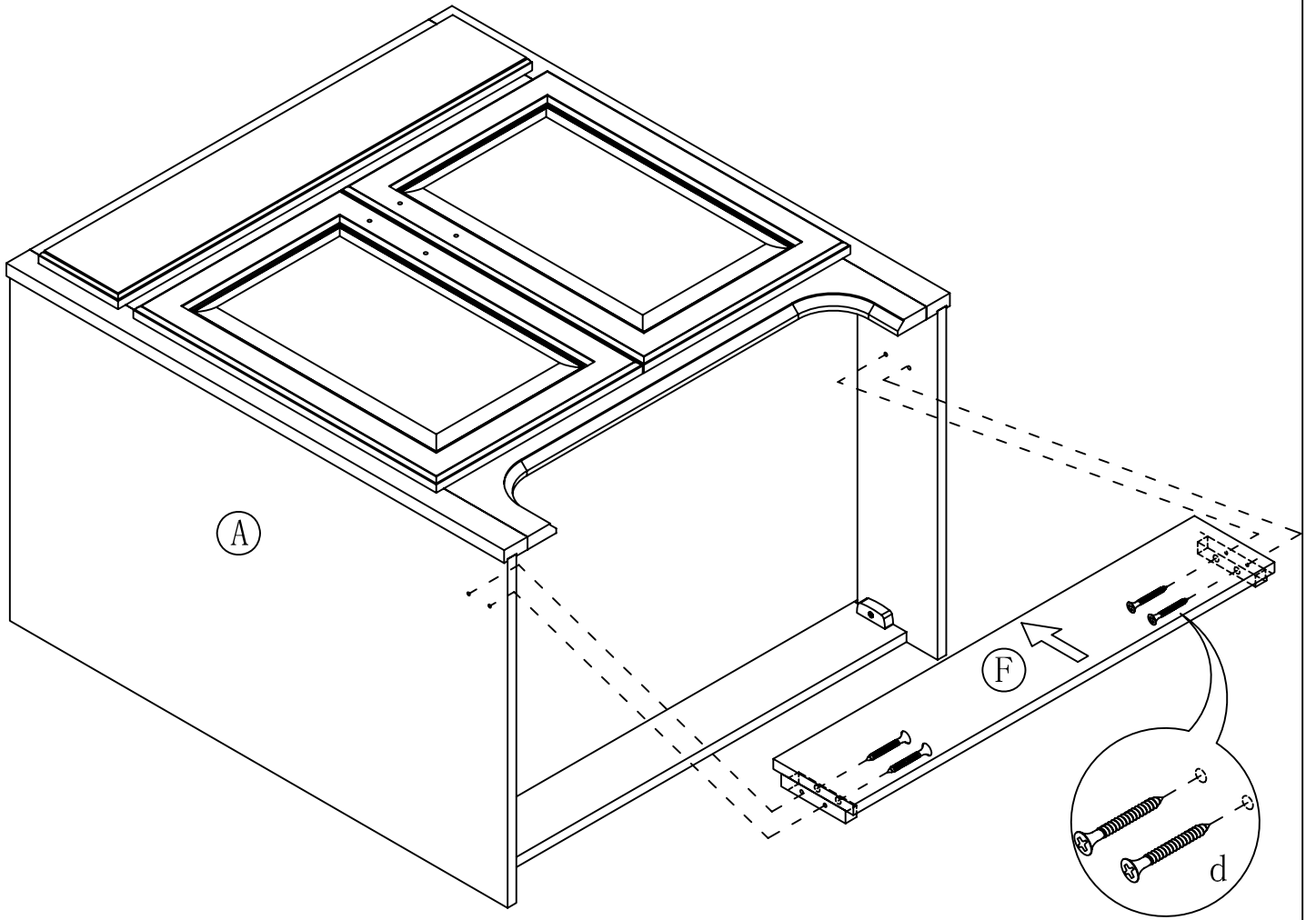
STEP 3



STEP 4



STEP 5



STEP 6

