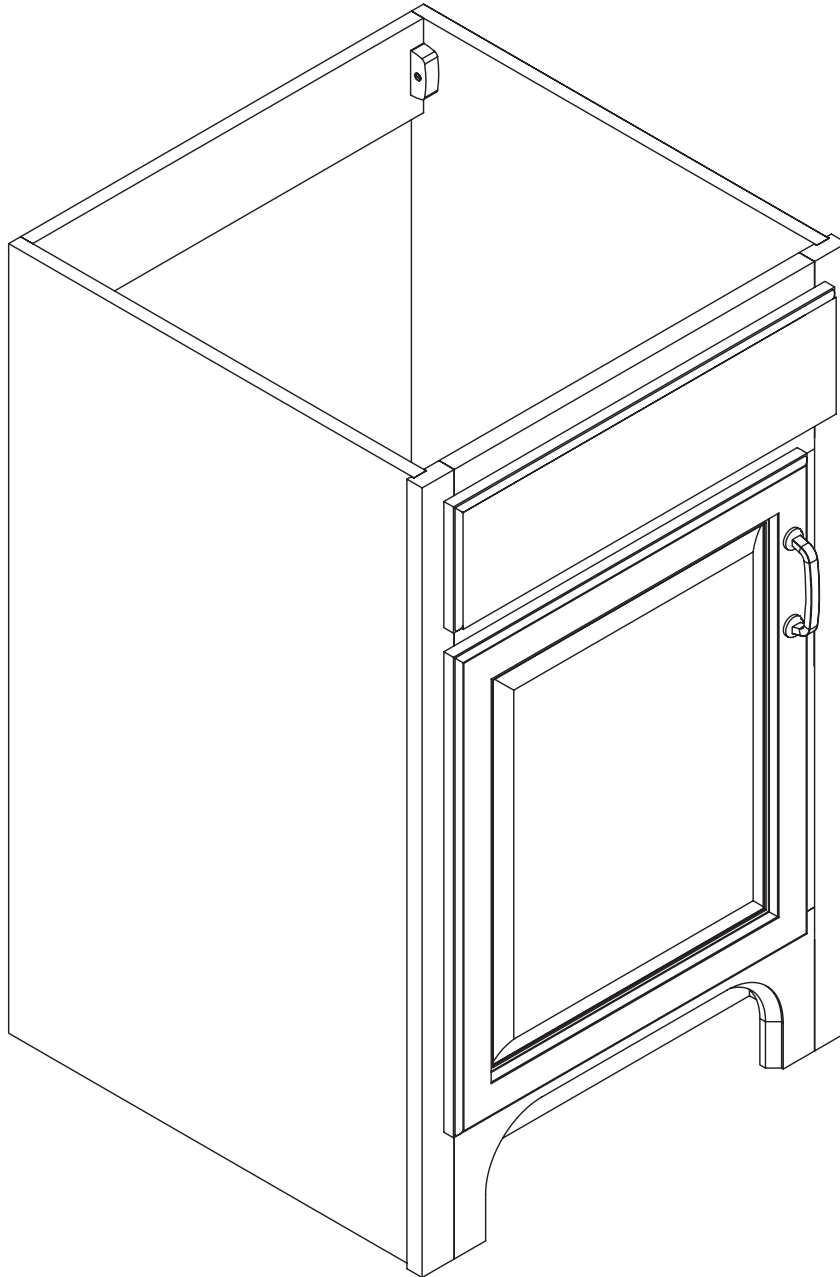




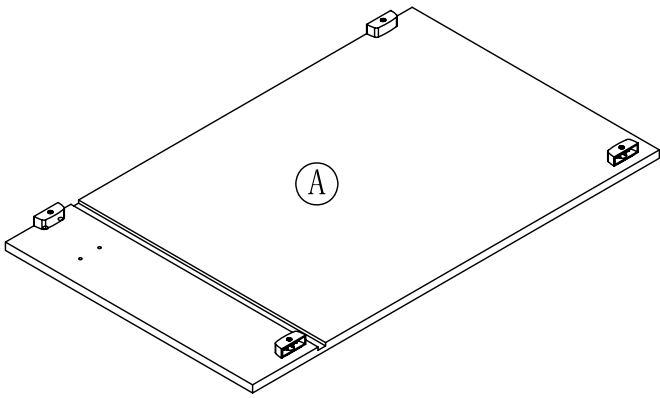
ADVANCED
GLOBAL COMMERCE



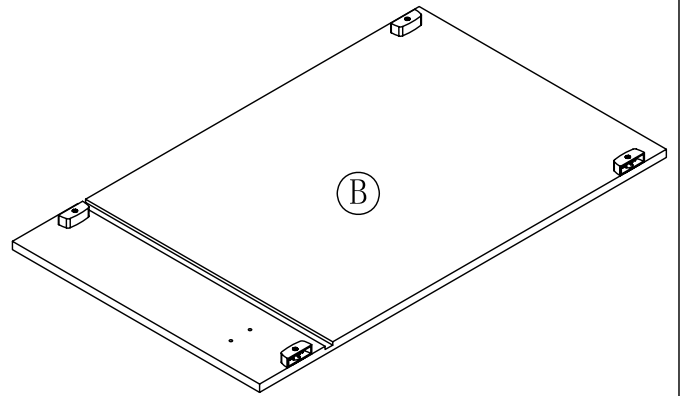
541102

ASSEMBLY INSTRUCTIONS

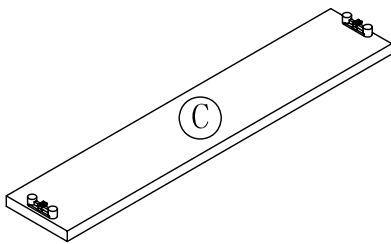
PARTS LIST:



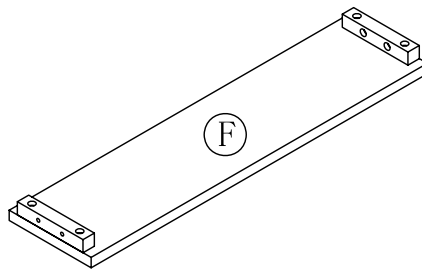
LEFT SIDE PANEL 1PC



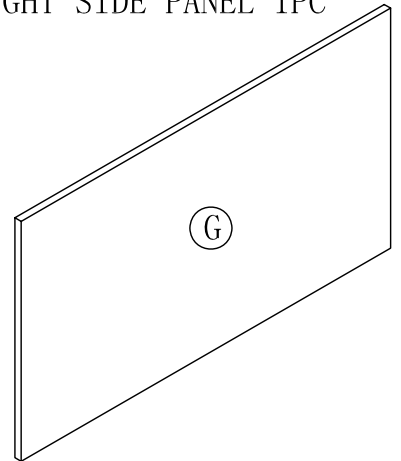
RIGHT SIDE PANEL 1PC



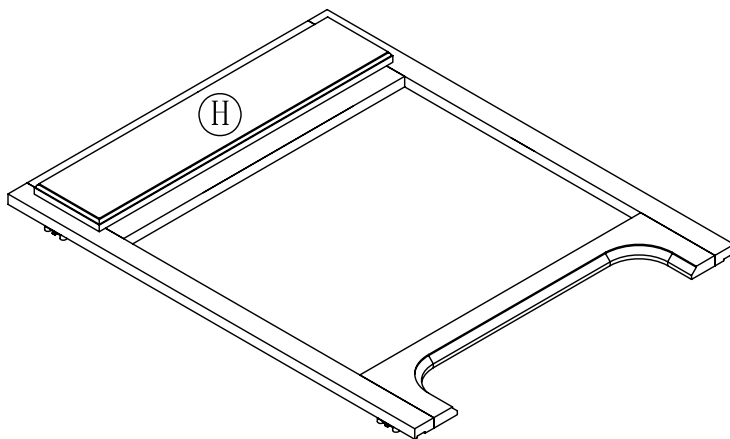
BACK CROSS BRACE 2PCS



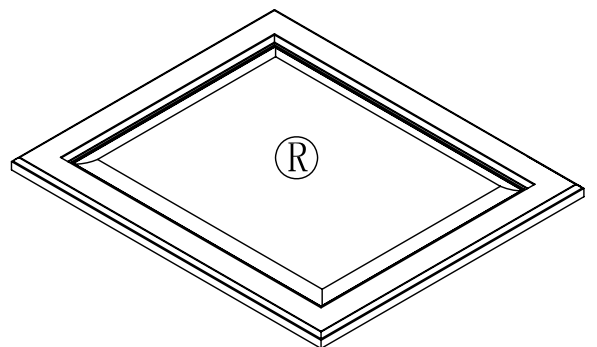
TOE KICK PANEL 1PC



BOTTOM PANEL 1PC



FRONT FRAME 1PC

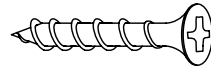


DOOR 1PC

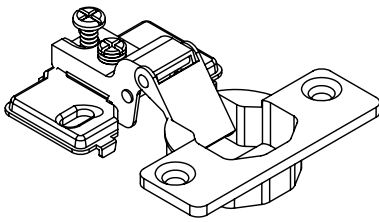
HARDWARE LIST:



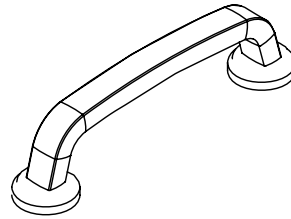
d. 1" L FLAT HEAD
SCREW 4PCS



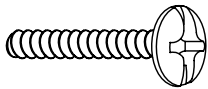
f. 5/8" L FLAT HEAD
SCREW 8PCS



h. HINGE 2PCS

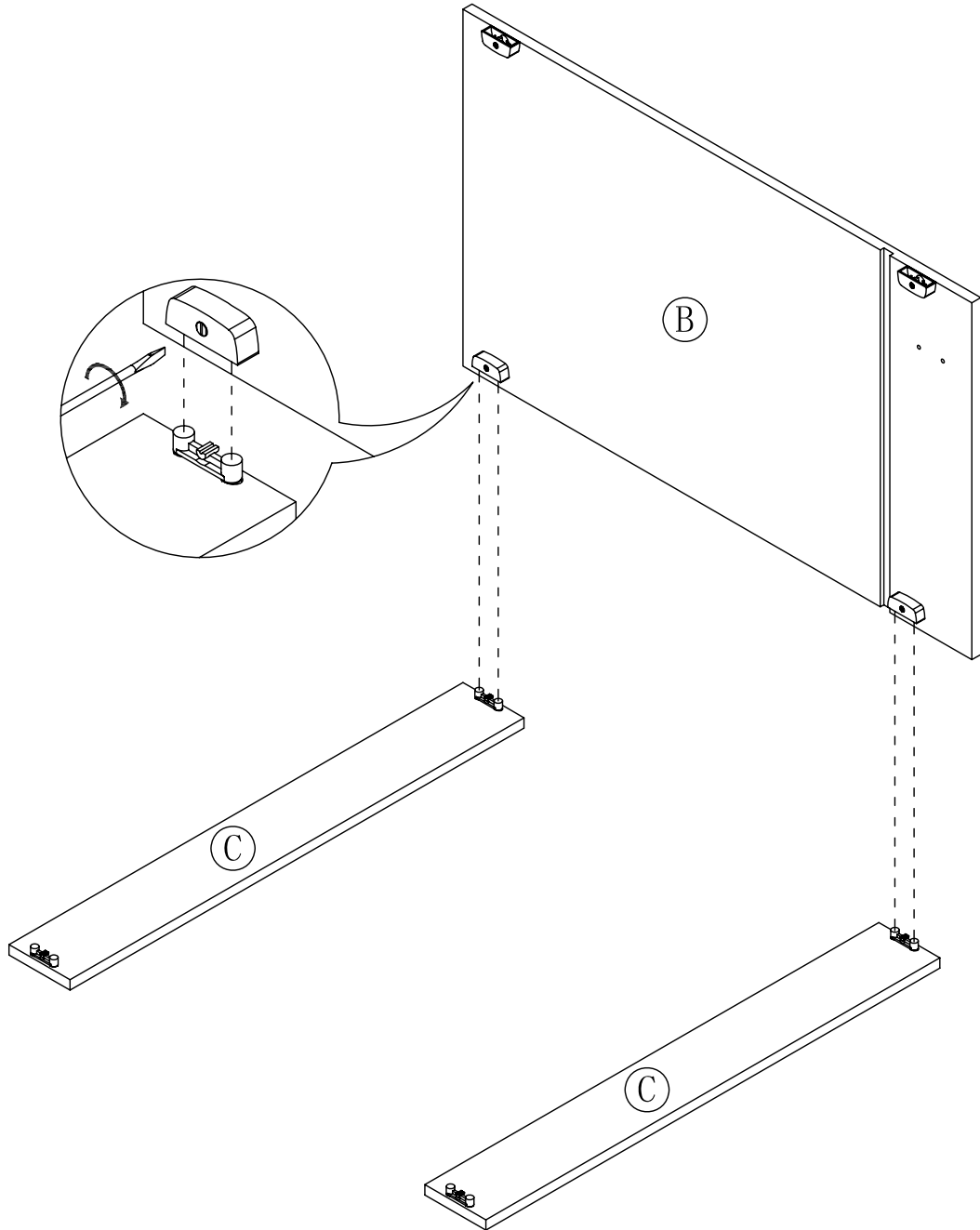


m. HANDLE 1PC

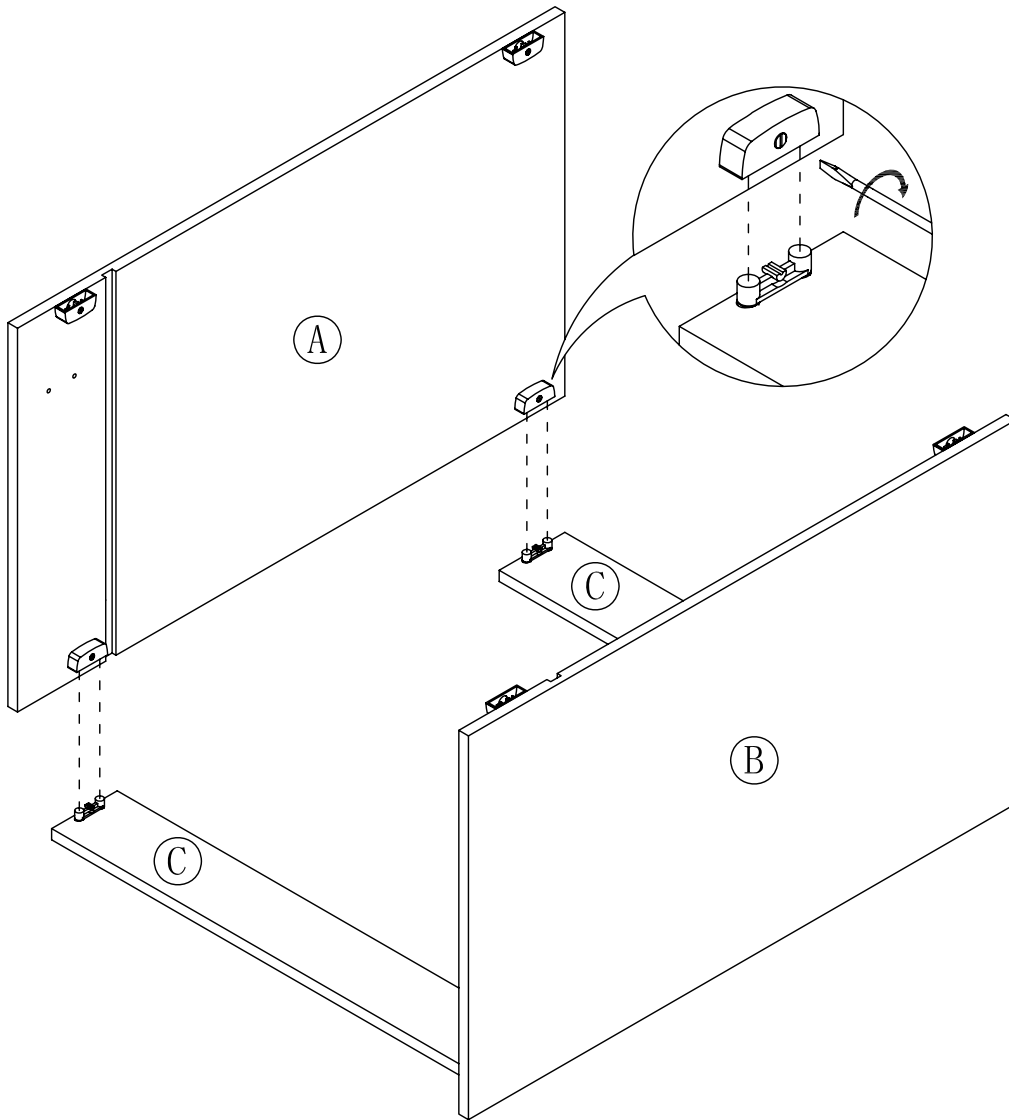


n. HANDLE BOLT 2PCS

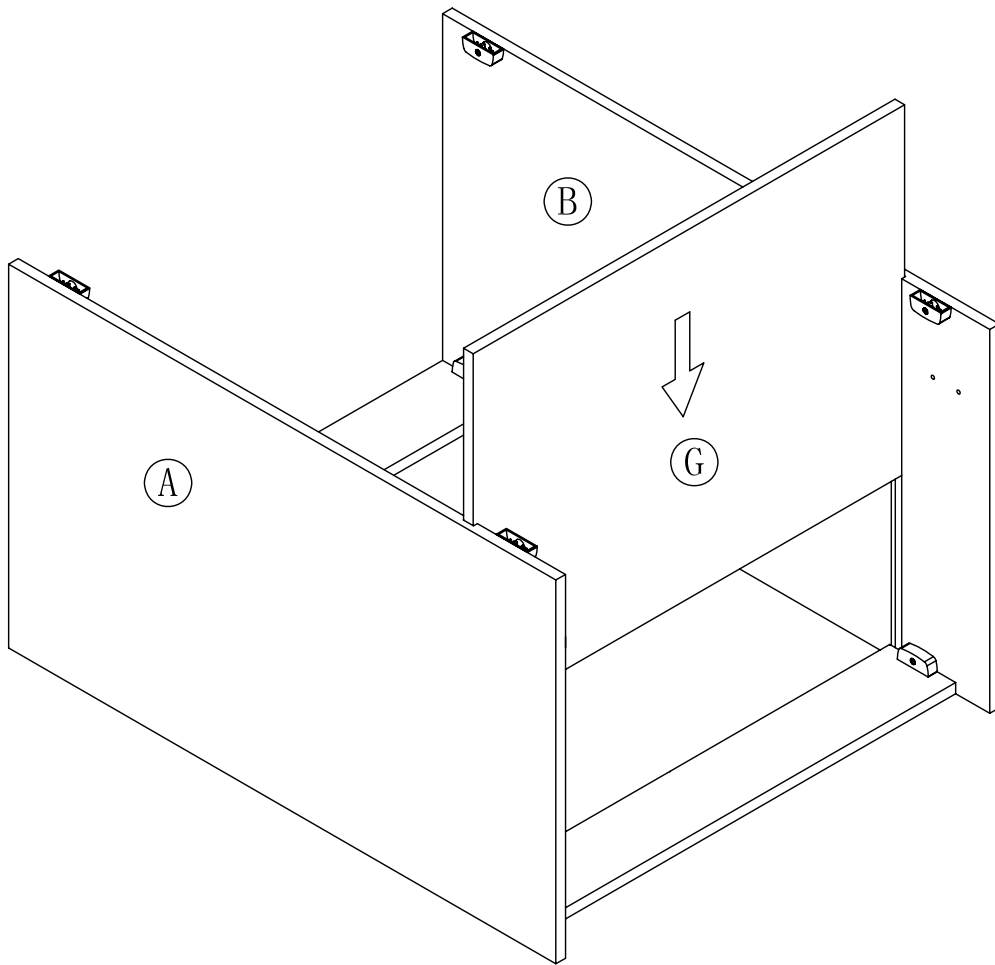
STEP 1



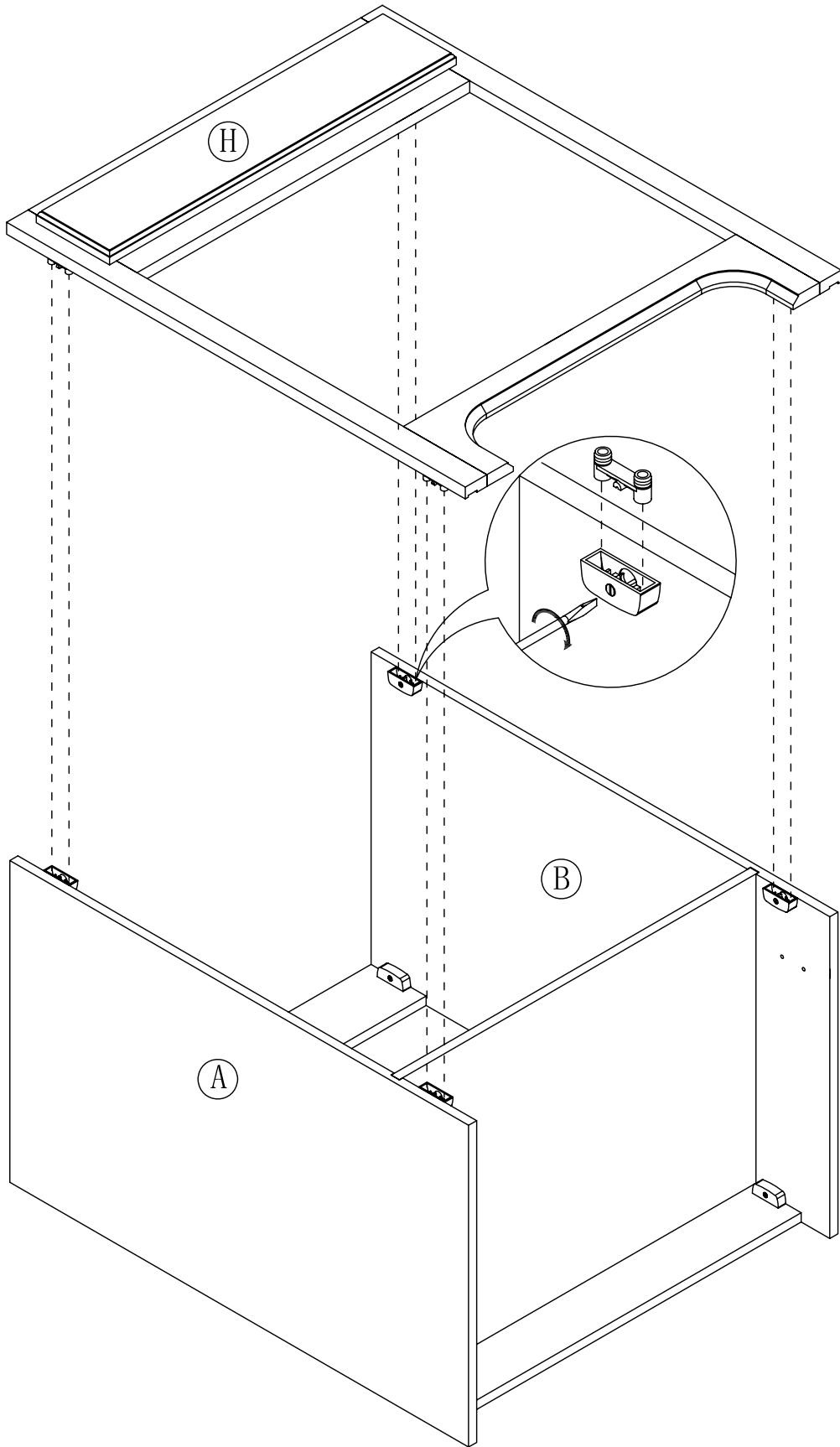
STEP 2



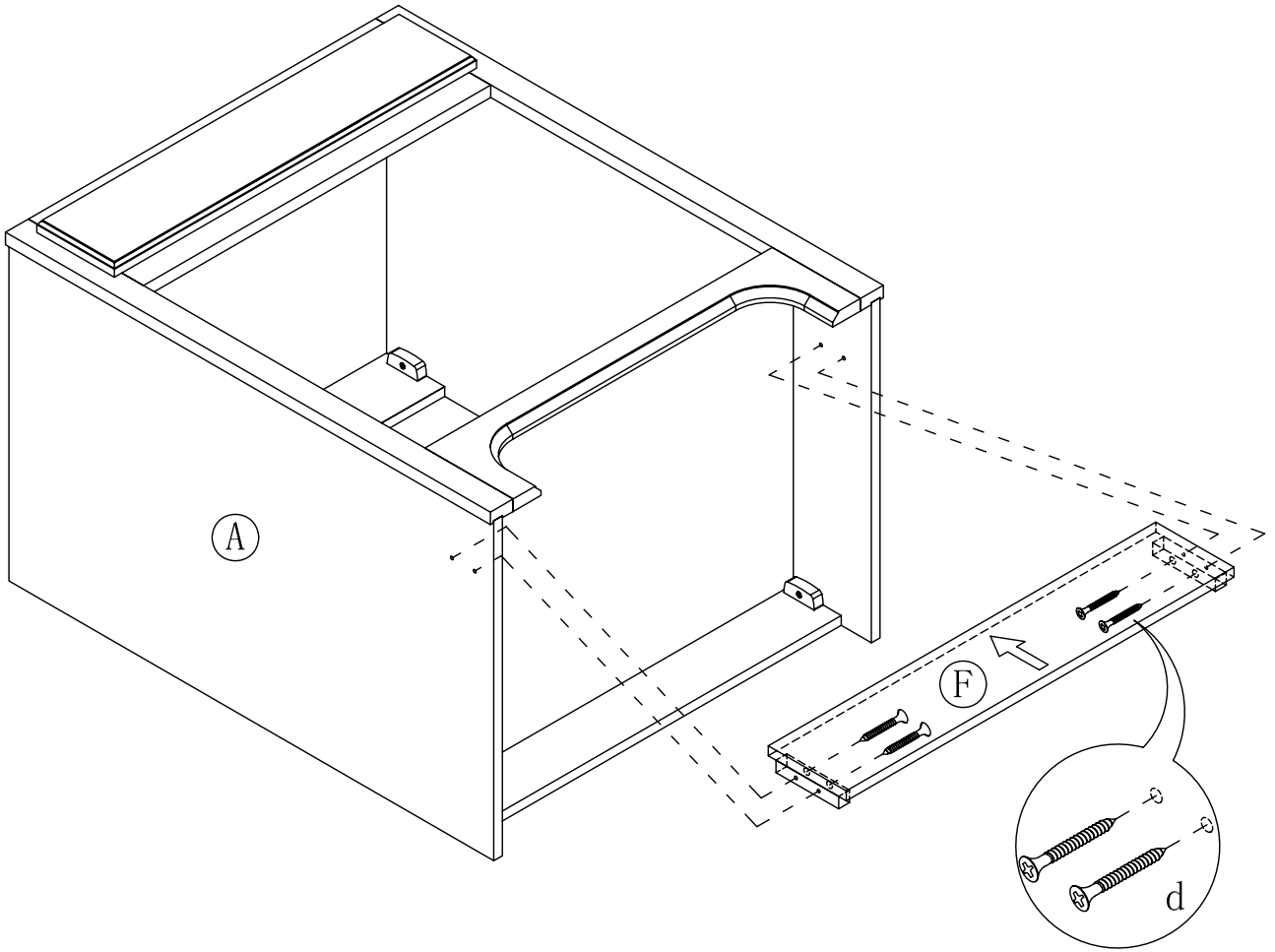
STEP 3



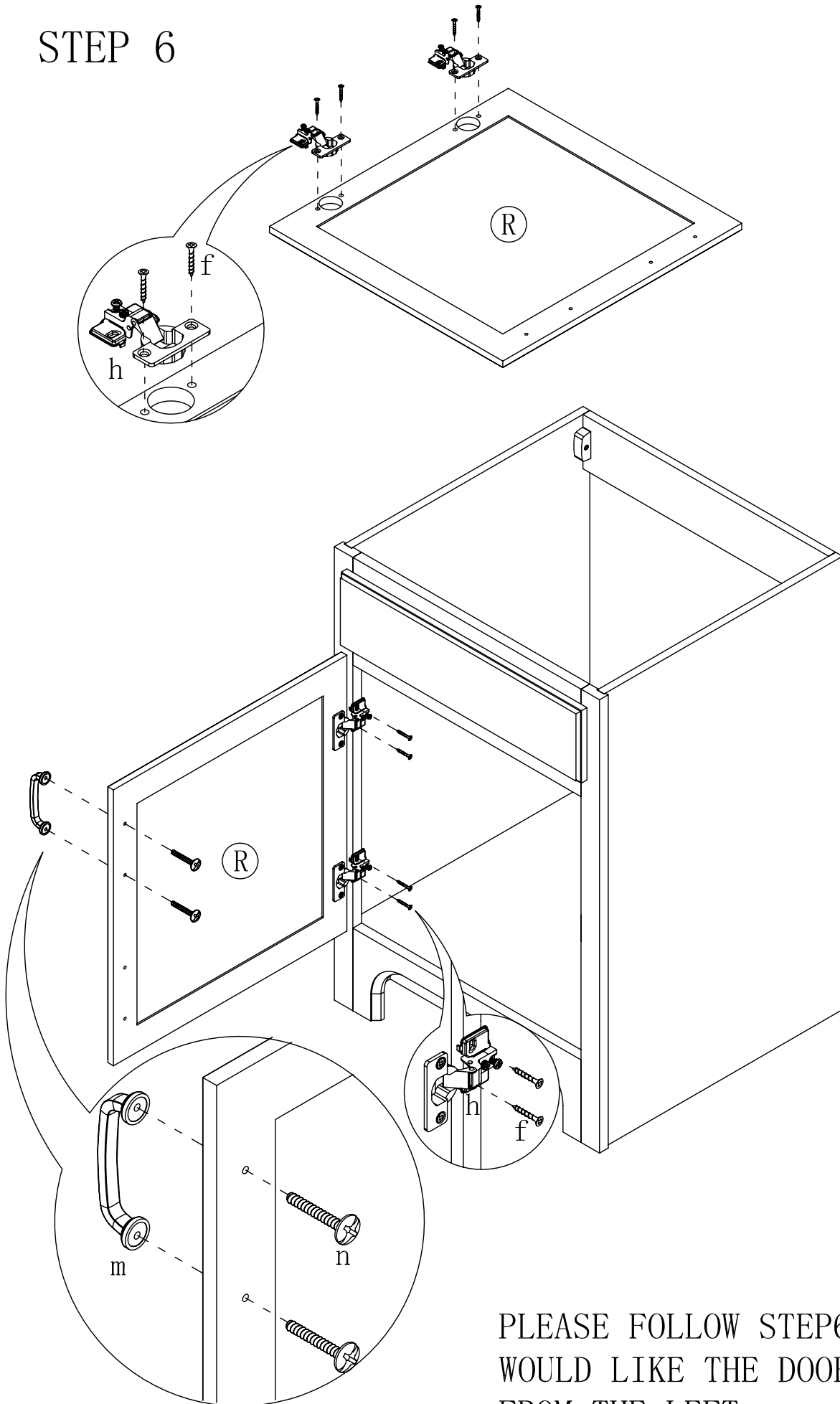
STEP 4



STEP 5

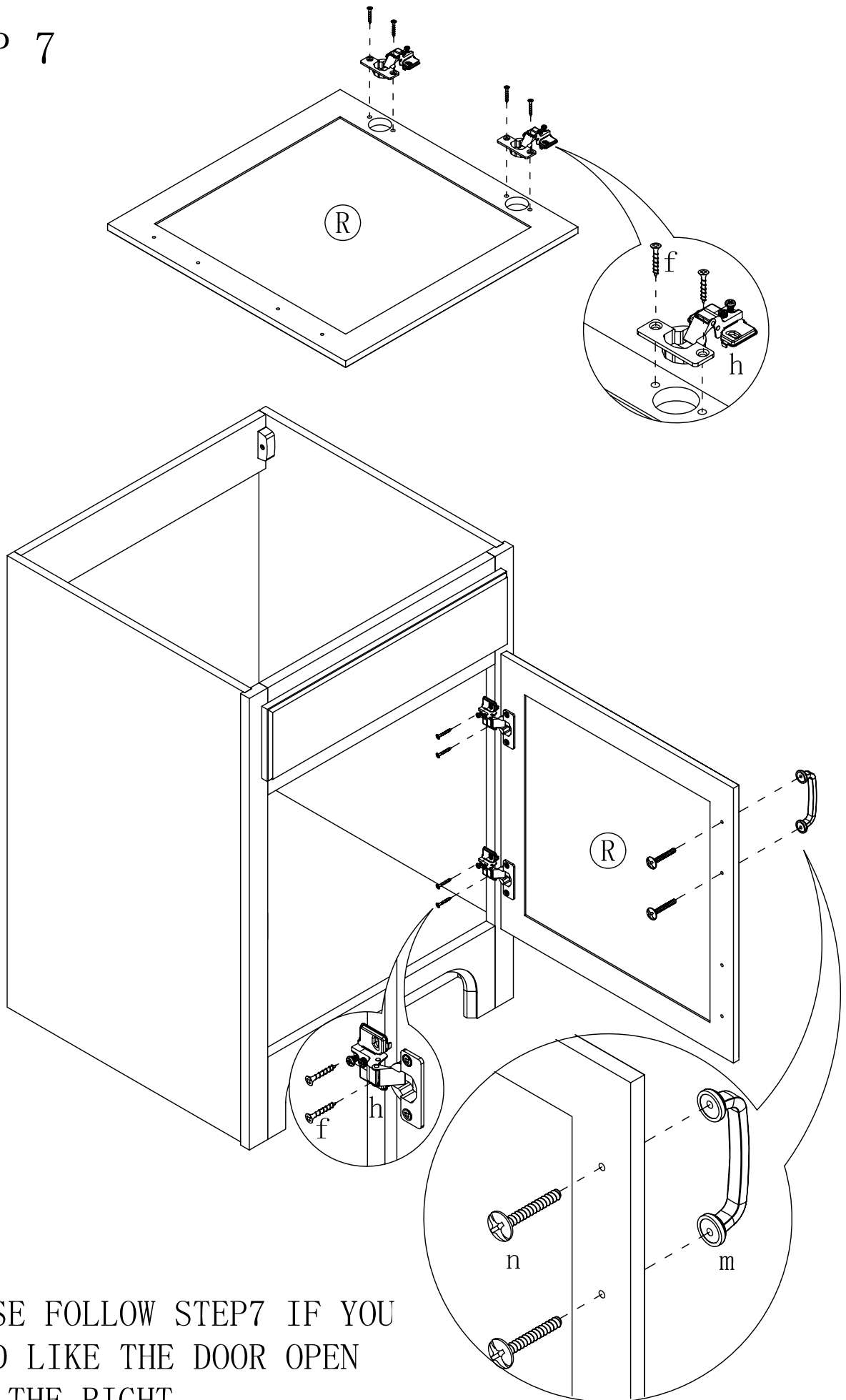


STEP 6



PLEASE FOLLOW STEP6 IF YOU WOULD LIKE THE DOOR OPEN FROM THE LEFT

STEP 7



PLEASE FOLLOW STEP7 IF YOU
WOULD LIKE THE DOOR OPEN
FROM THE RIGHT