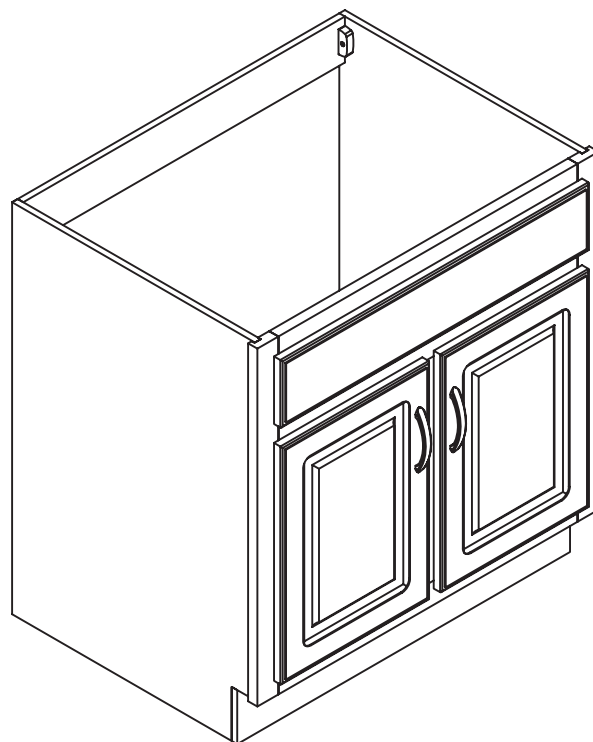




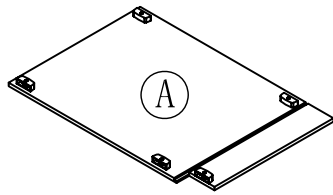
ADVANCED
GLOBAL COMMERCE



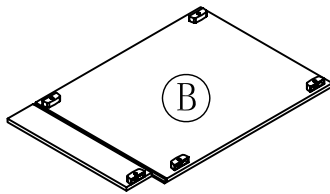
531251 541029 531277 541045

ASSEMBLY INSTRUCTIONS

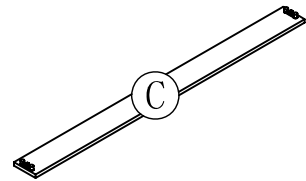
PARTS LIST:



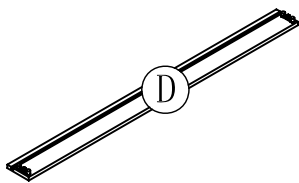
LEFT SIDE PANEL 1PC



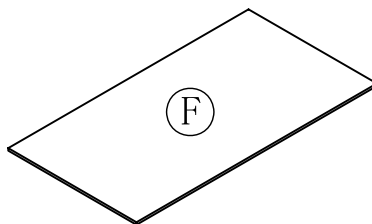
RIGHT SIDE PANEL 1PC



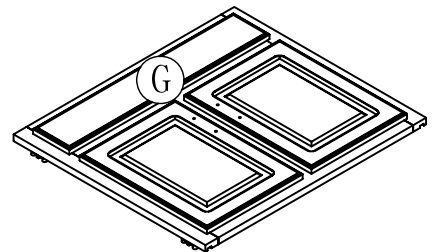
BACK UP CROSS
BRACE 1PC



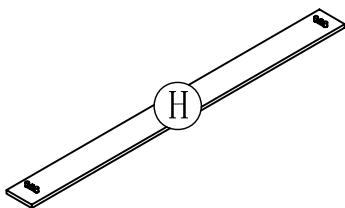
BACK DOWN CROSS
BRACE 1PC



BOTTOM PANEL 1PC

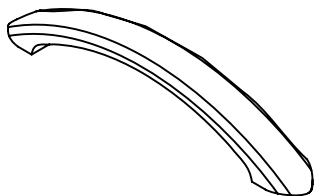


FRONT FRAME 1PC

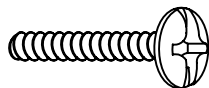


TOE KICK PANEL 1PC

HARDWARE LIST:

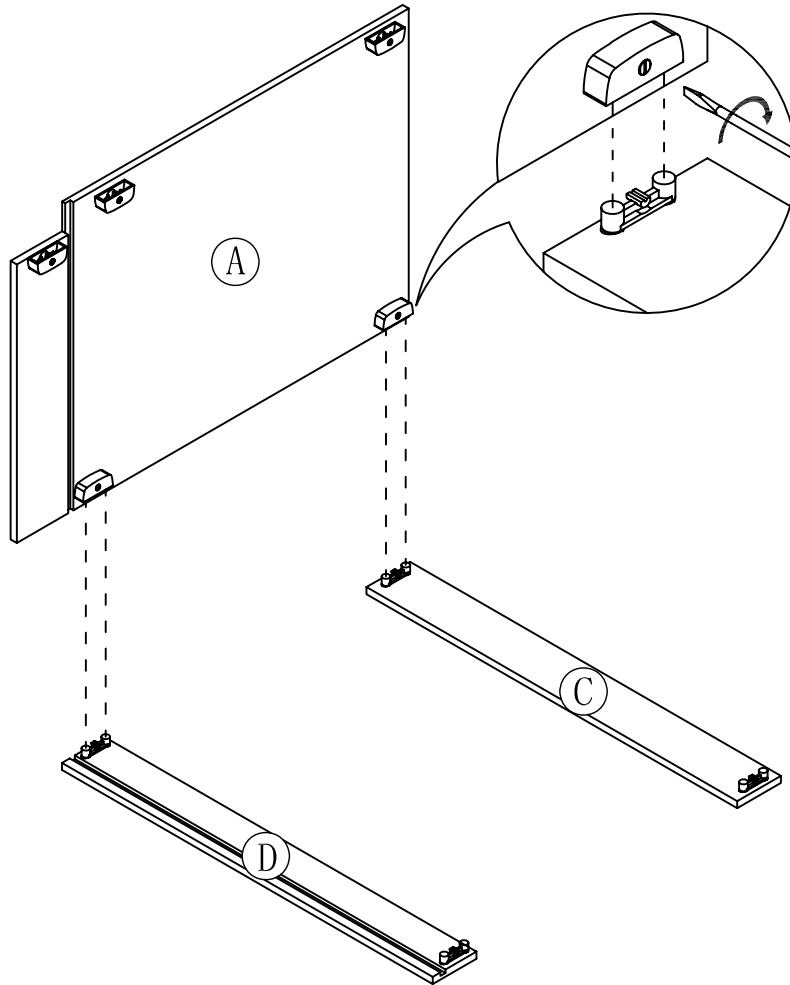


m. HANDLE 2PCS

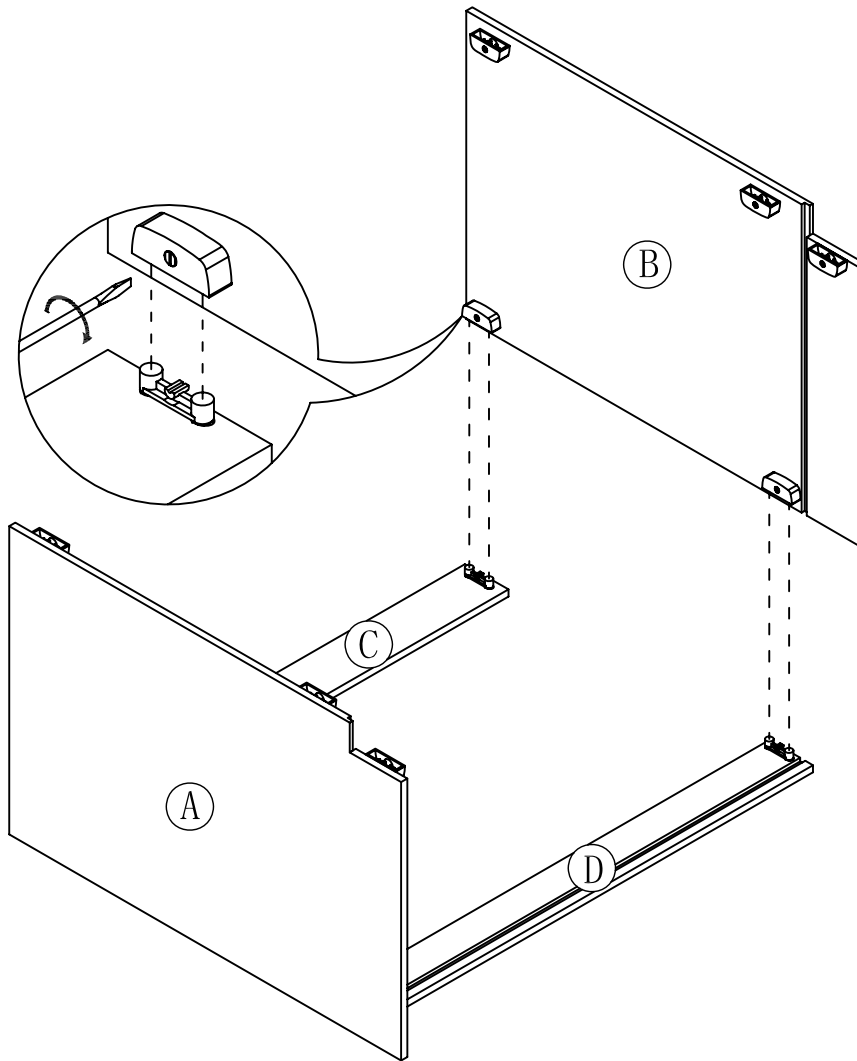


n. HANDLE BOLT 4PCS

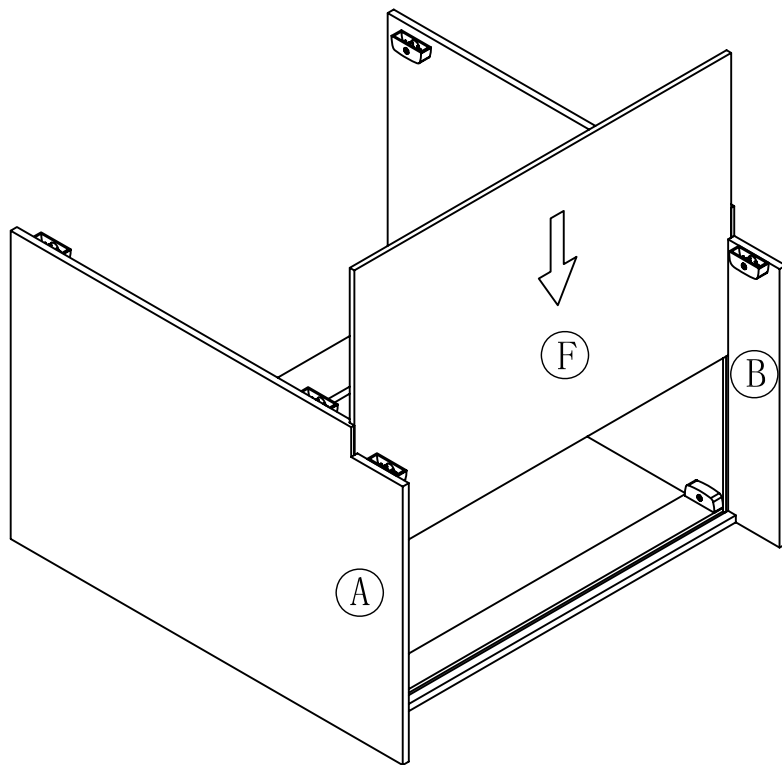
STEP 1



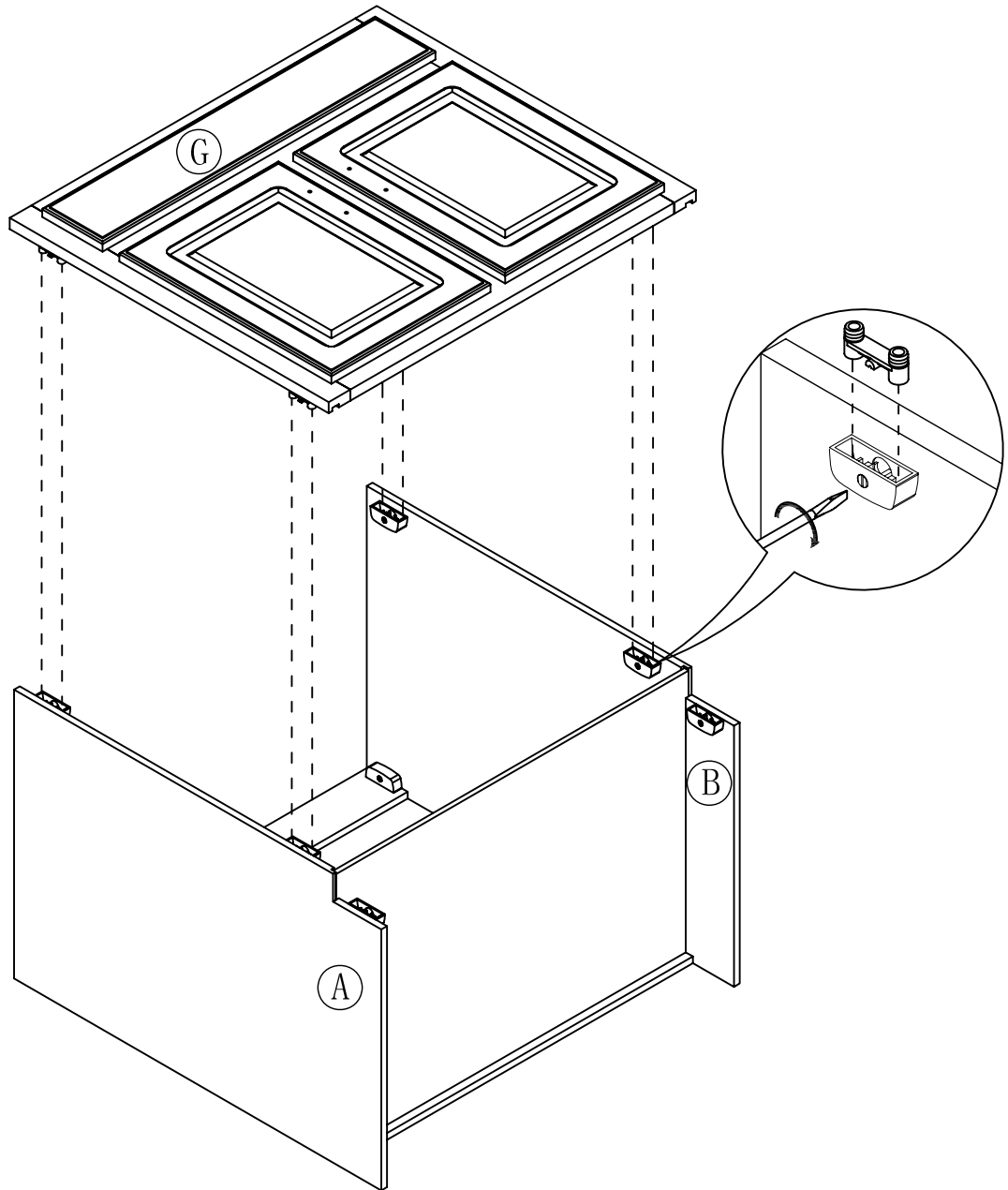
STEP 2



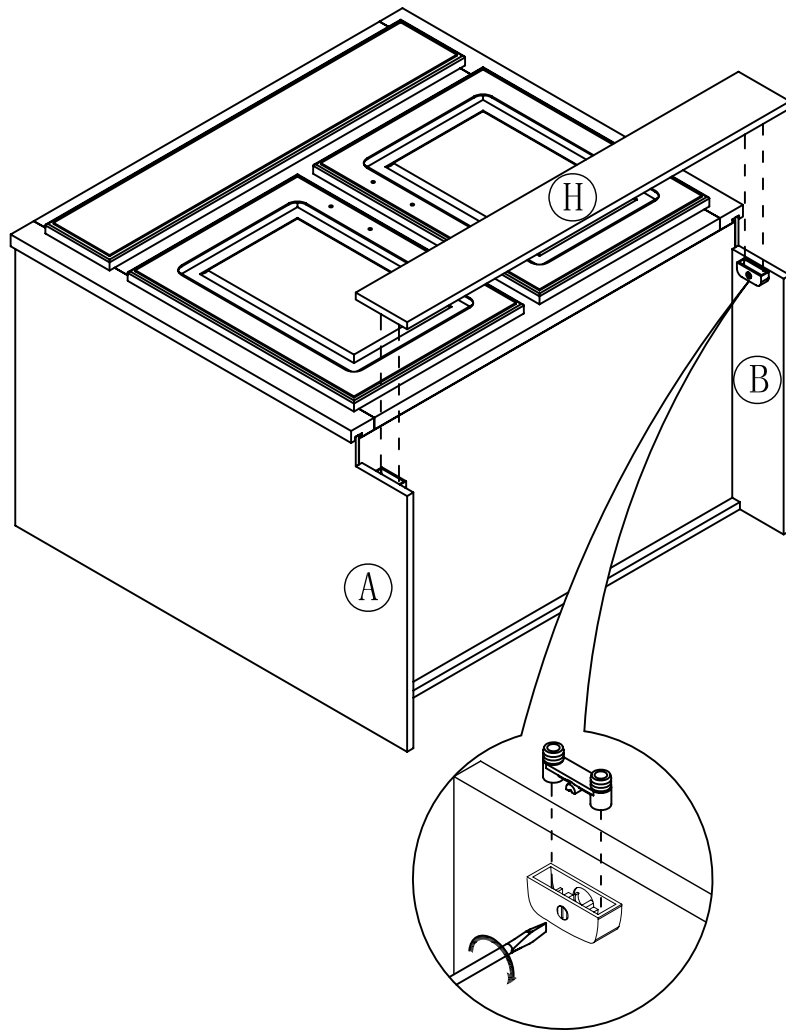
STEP 3



STEP 4



STEP 5



STEP 6

