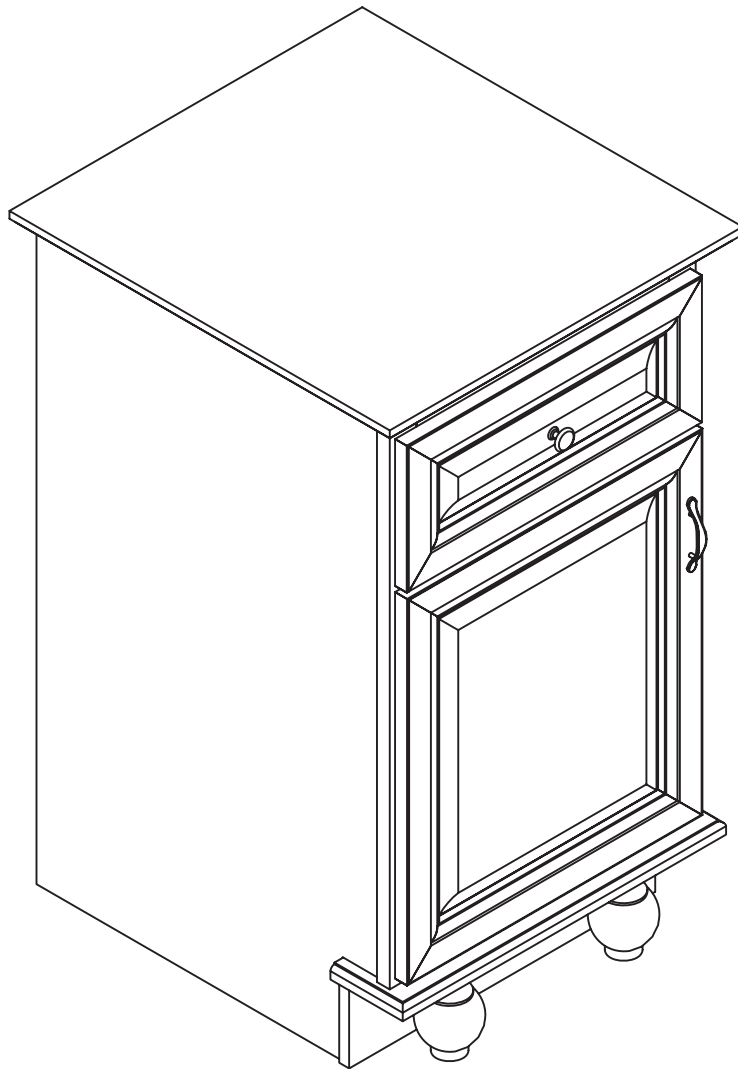




**ADVANCED**  
GLOBAL COMMERCE

---

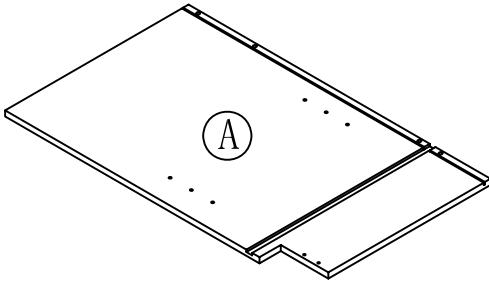


539965

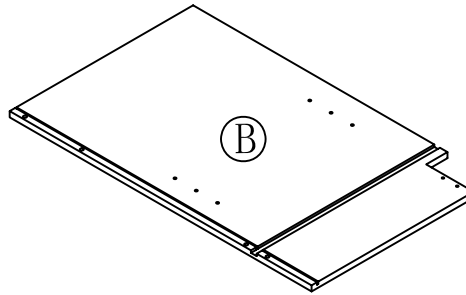
# ASSEMBLY INSTRUCTIONS

---

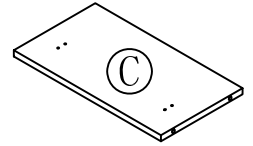
# PARTS LIST:



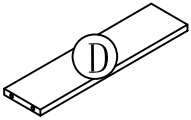
LEFT SIDE PANEL 1PC



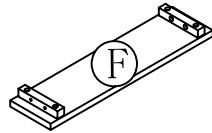
RIGHT SIDE PANEL 1PC



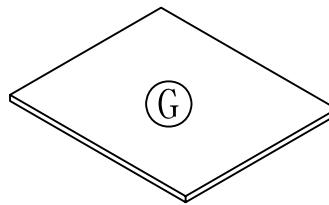
BACK UP CROSS BRACE 1PC



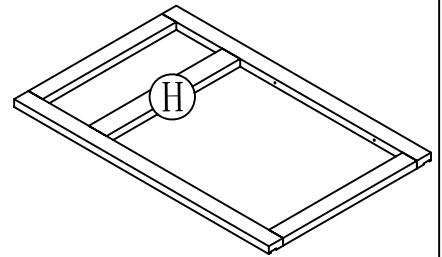
BACK DOWN CROSS BRACE 1PC



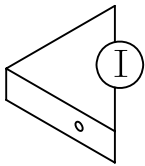
TOE KICK PANEL 1PC



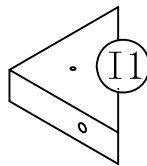
BOTTOM PANEL 1PC



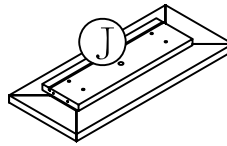
FRONT FRAME 1PC



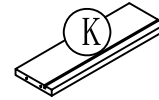
STRENGTH BLOCK (1) 4PCS



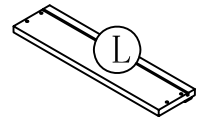
STRENGTH BLOCK (2) 4PCS



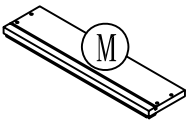
DRAWER FRONT PANEL 1PC



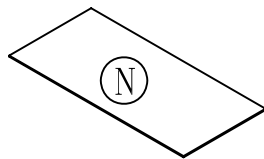
DRAWER BACK PANEL 1PC



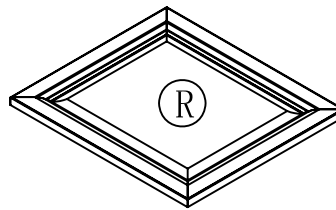
DRAWER LEFT SIDE PANEL 1PC



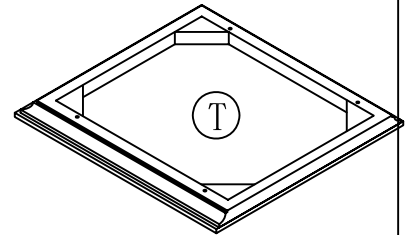
DRAWER RIGHT SIDE PANEL 1PC



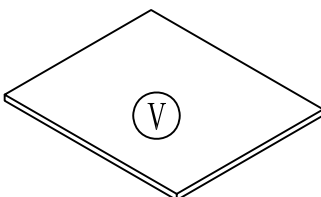
DRAWER BOTTOM PANEL 1PC



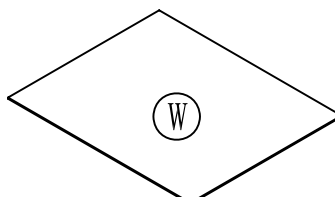
DOOR 1PC



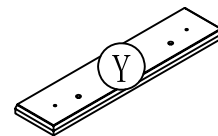
TOP PANEL 1PC



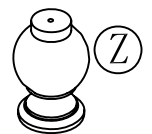
ADJUSTABLE PANEL 1PC



BACK PANEL 1PC



FRONT CROSS BRACE 1PC



FOOT 2PCS

# HARDWARE LIST:



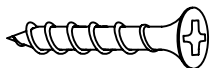
a. WOOD DOWEL 12PCS



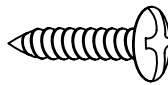
d. 1" L FLAT HEAD SCREW 22PCS



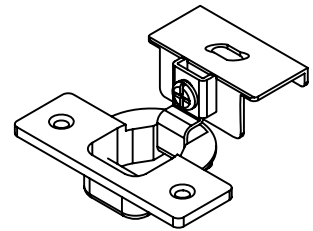
e. 1-1/2" L FLAT HEAD SCREW 14PCS



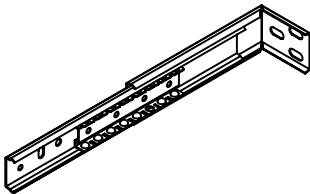
f. 5/8" L FLAT HEAD SCREW (FOR HINGE) 6PCS



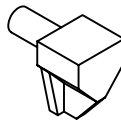
g. 1/2" L ROUND HEAD SCREW (FOR GUIDE) 8PCS



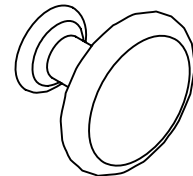
h. HINGE 2PCS



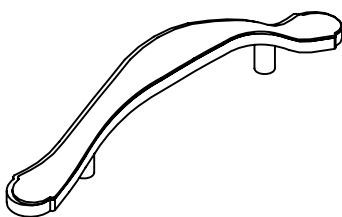
i. DRAWER GUIDE 2PCS



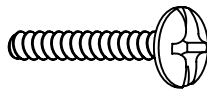
k. PIN 4PCS



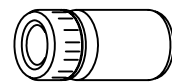
l. KNOB 1PC



m. HANDLE 1PC



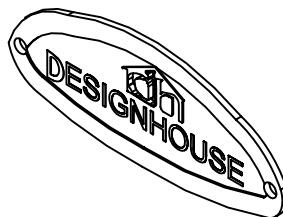
n. HANDLE (KNOB) BOLT 3PCS



p. GLUE 1PC

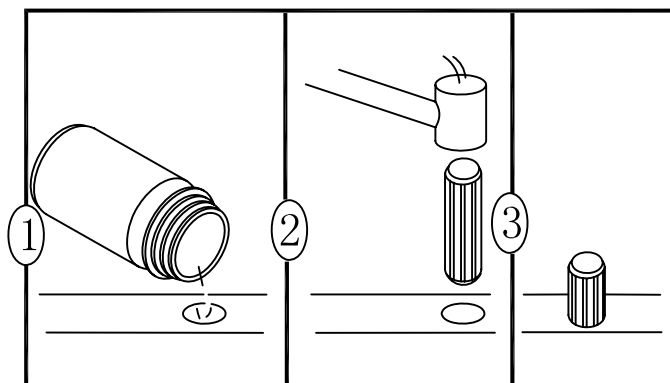
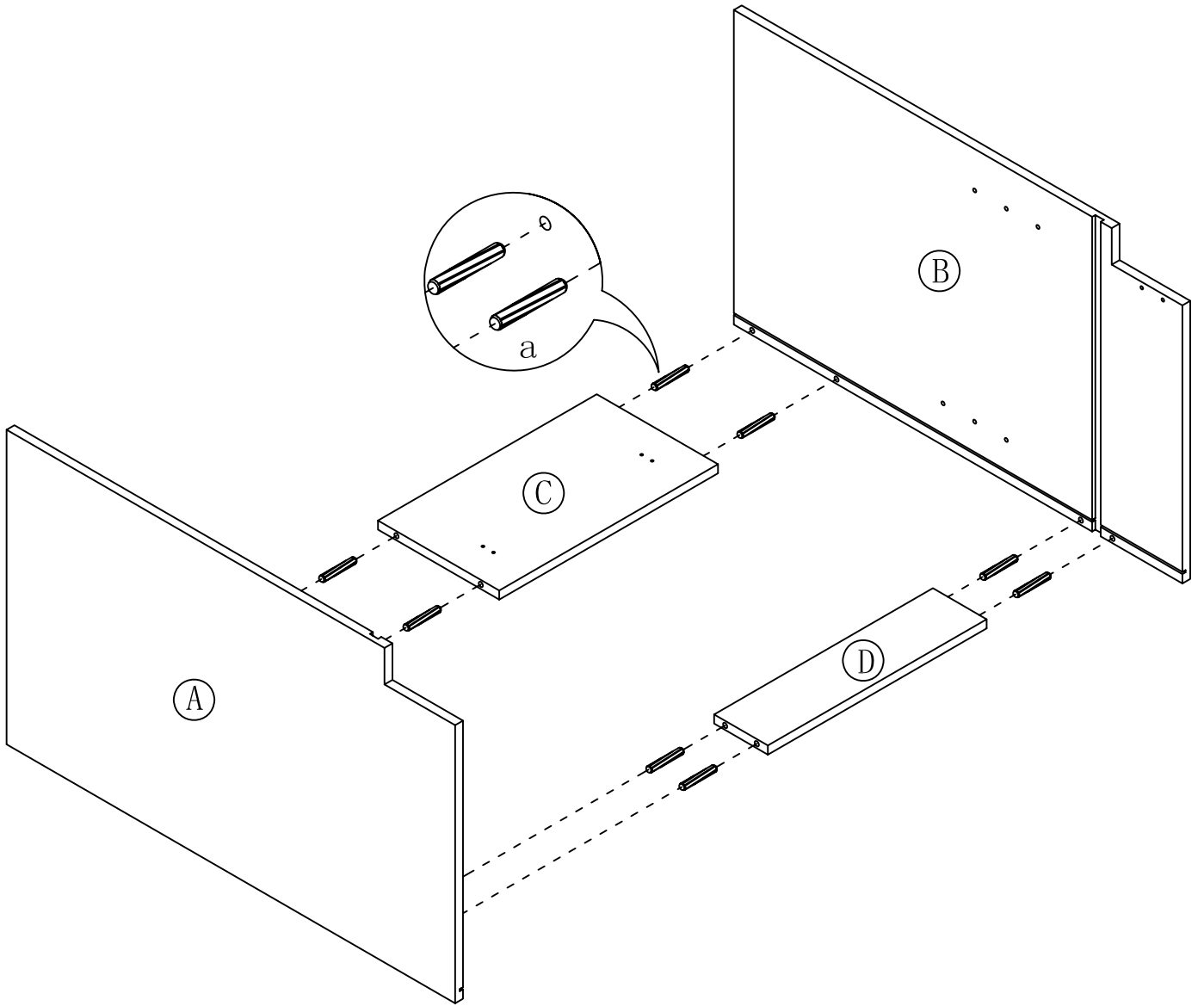


v. SMALL SCREW (FOR LOGO) 2PCS

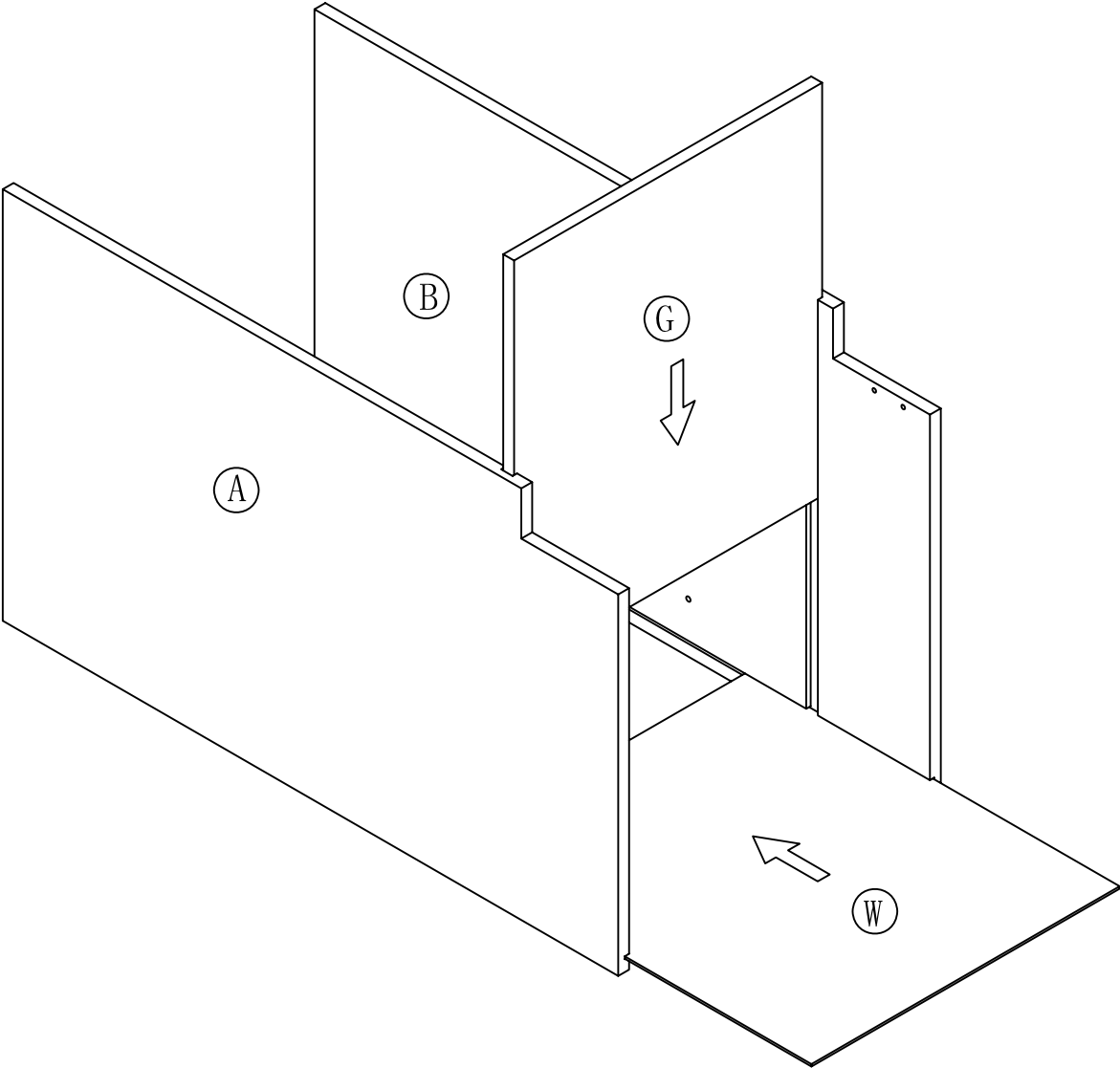


x. LOGO 1PC

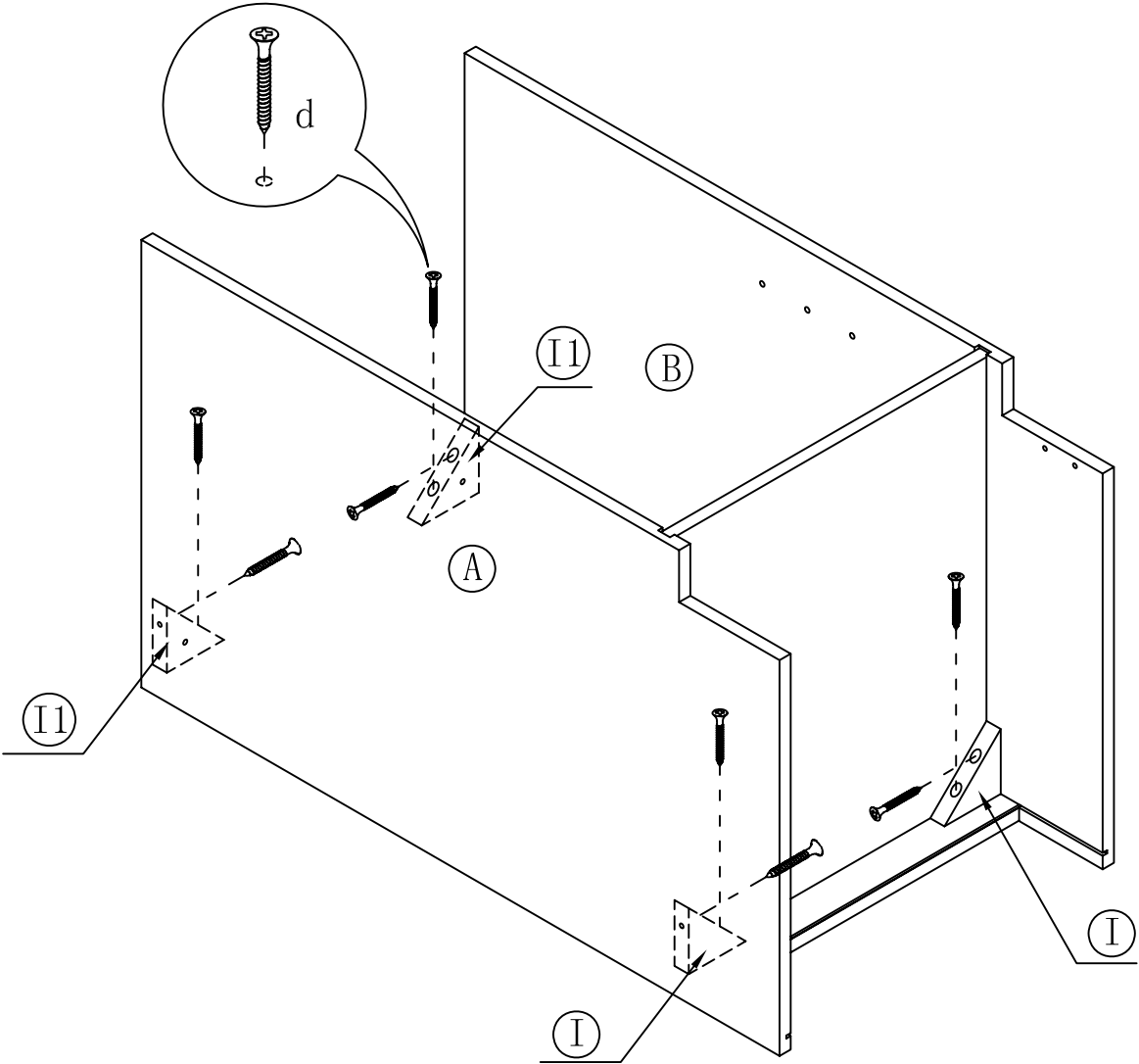
# STEP 1



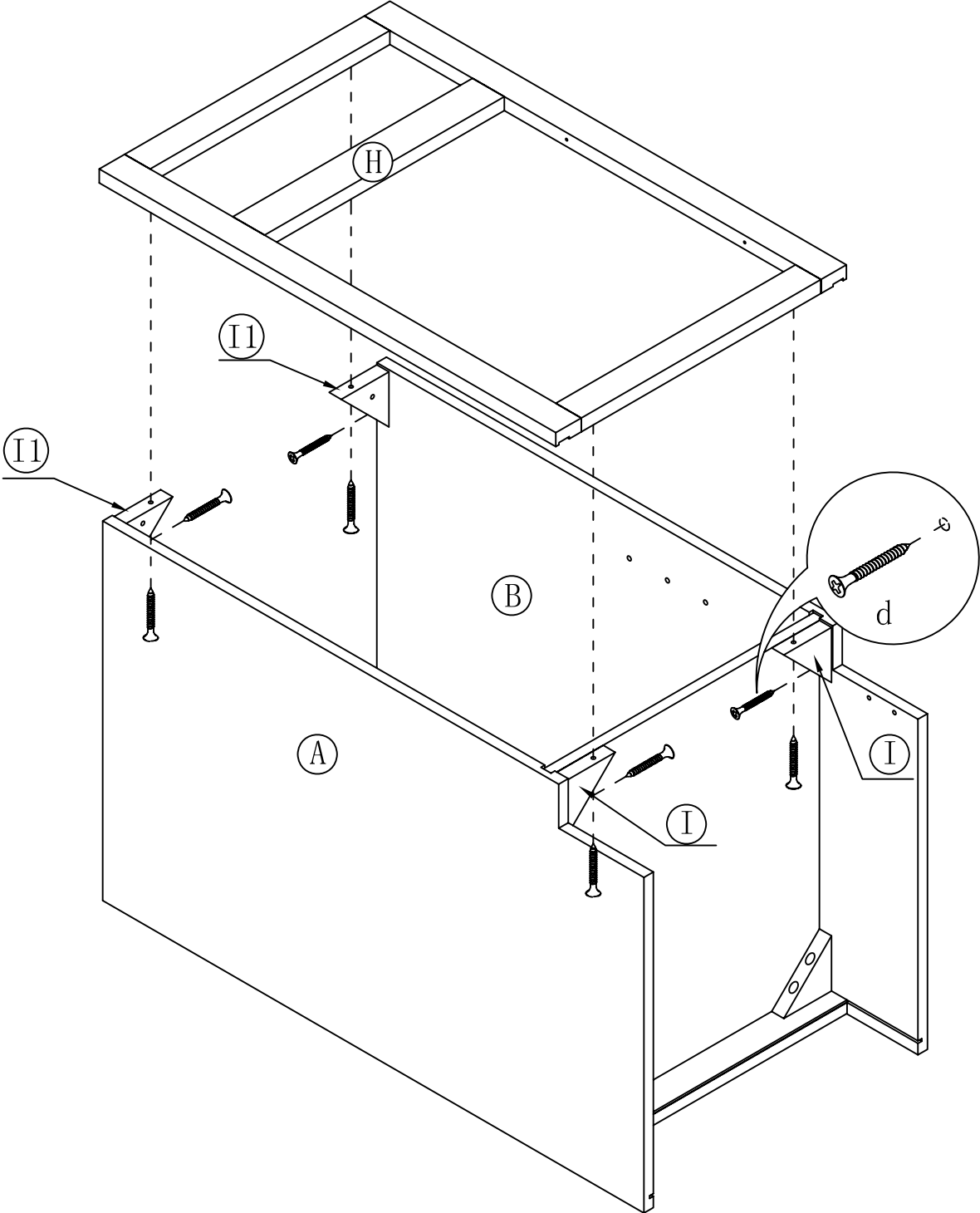
STEP 2



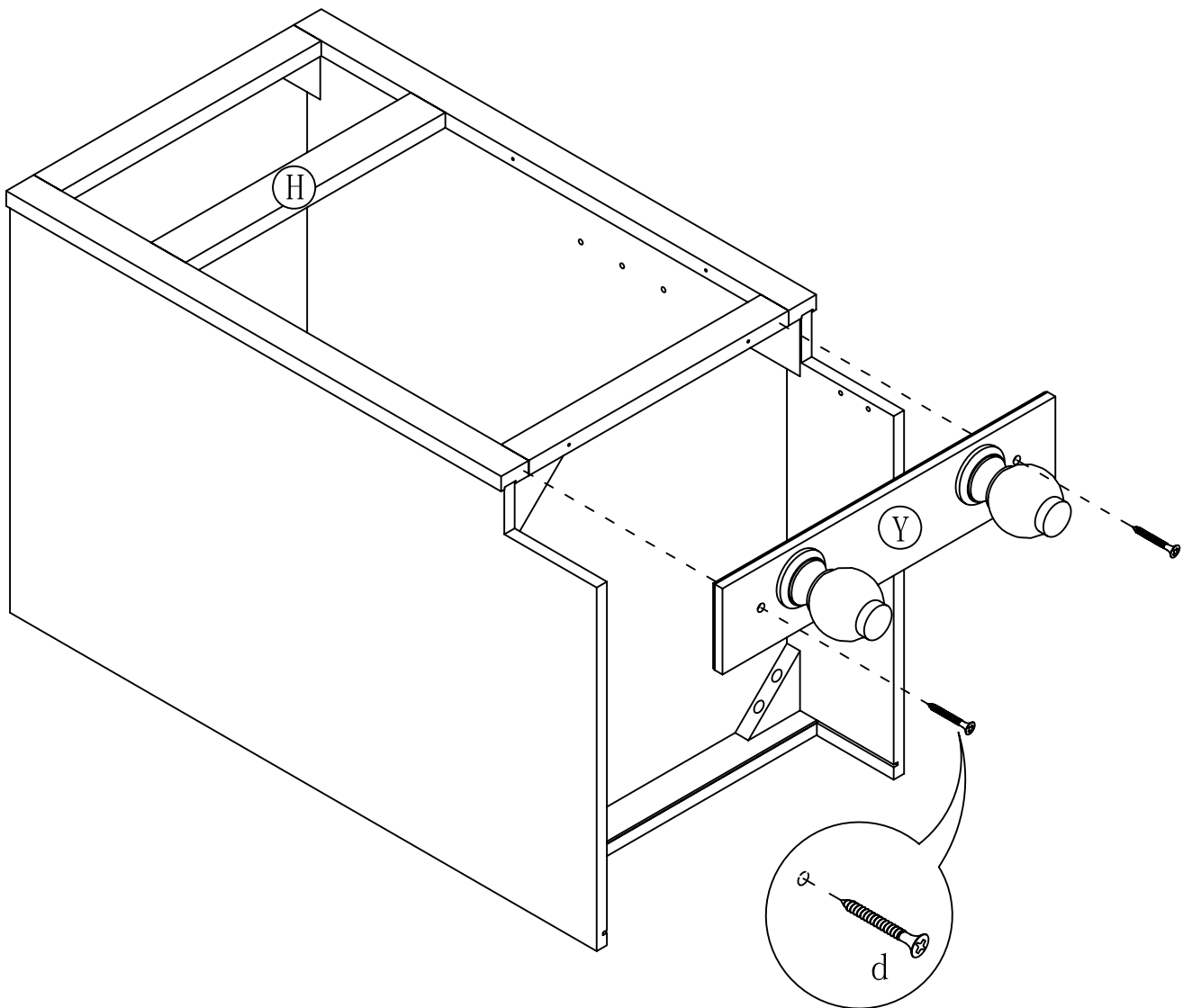
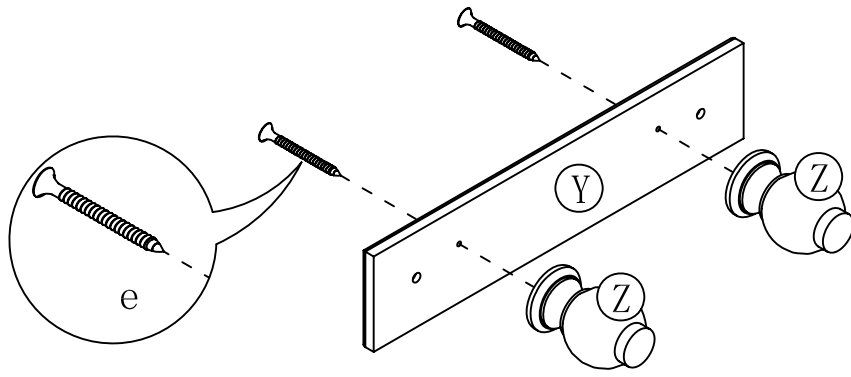
# STEP 3



STEP 4

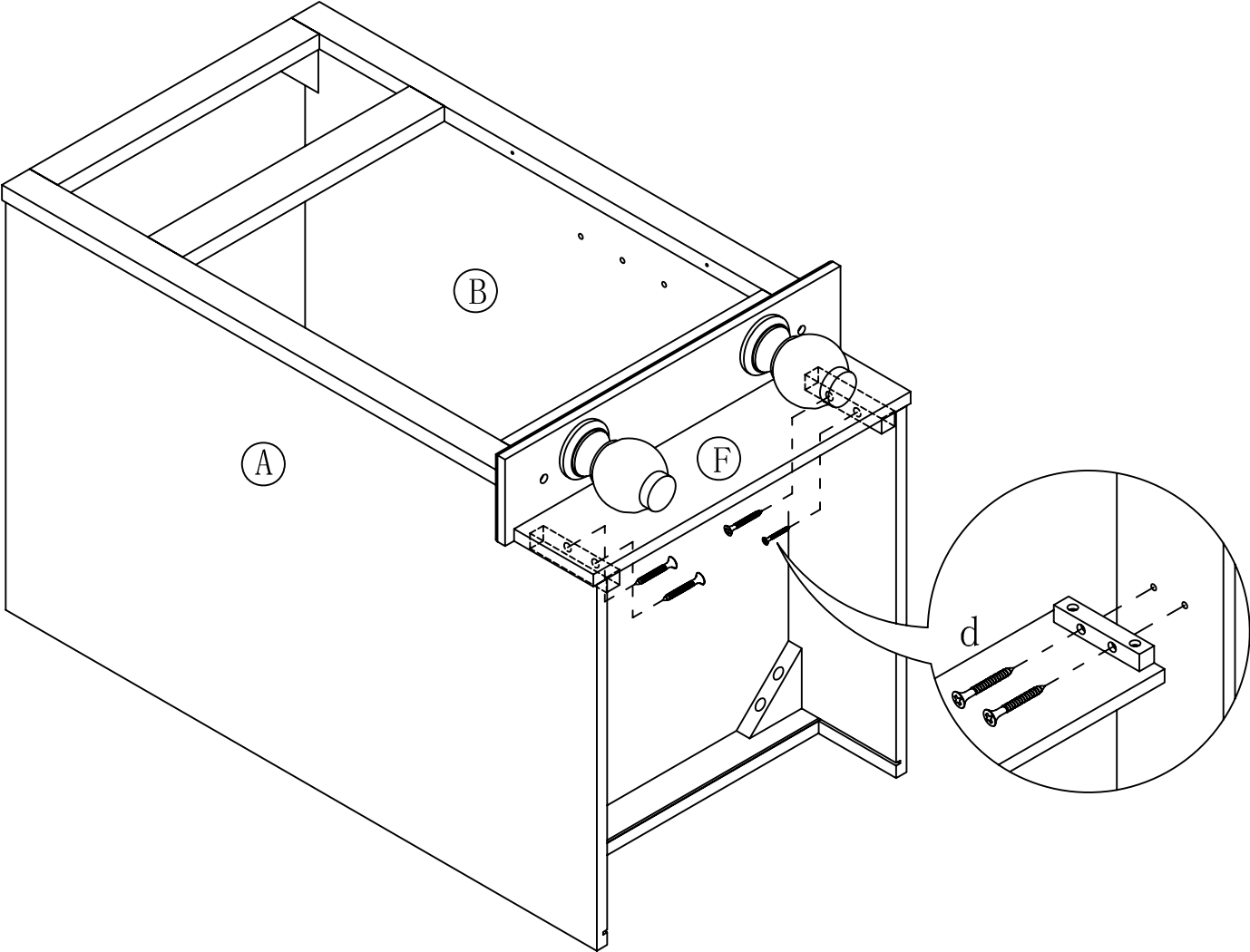


# STEP 5

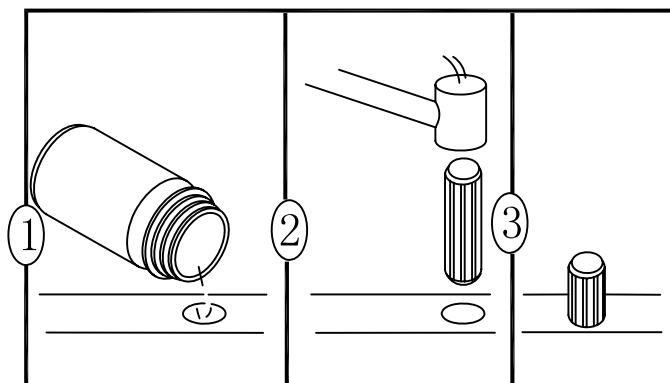
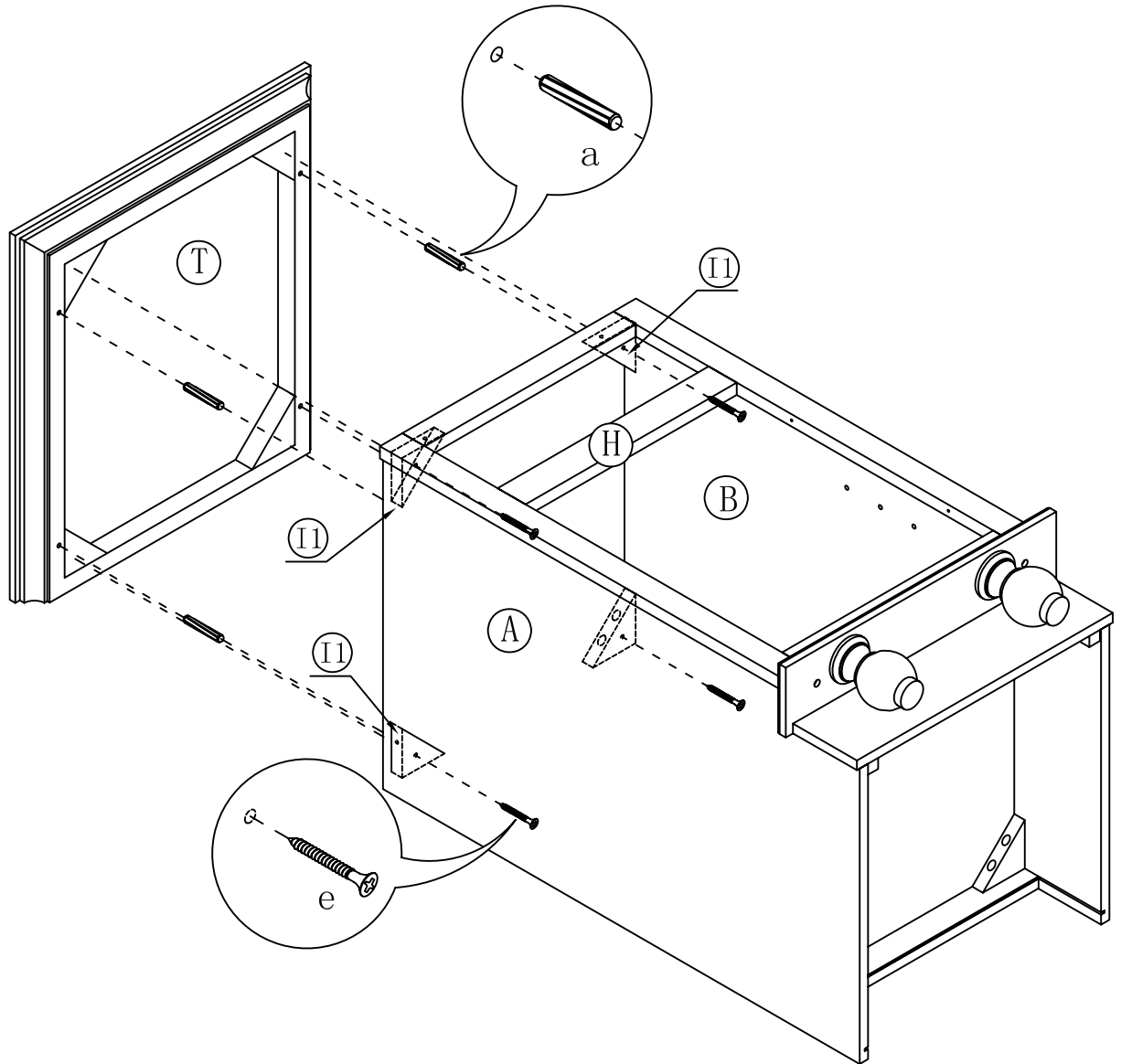




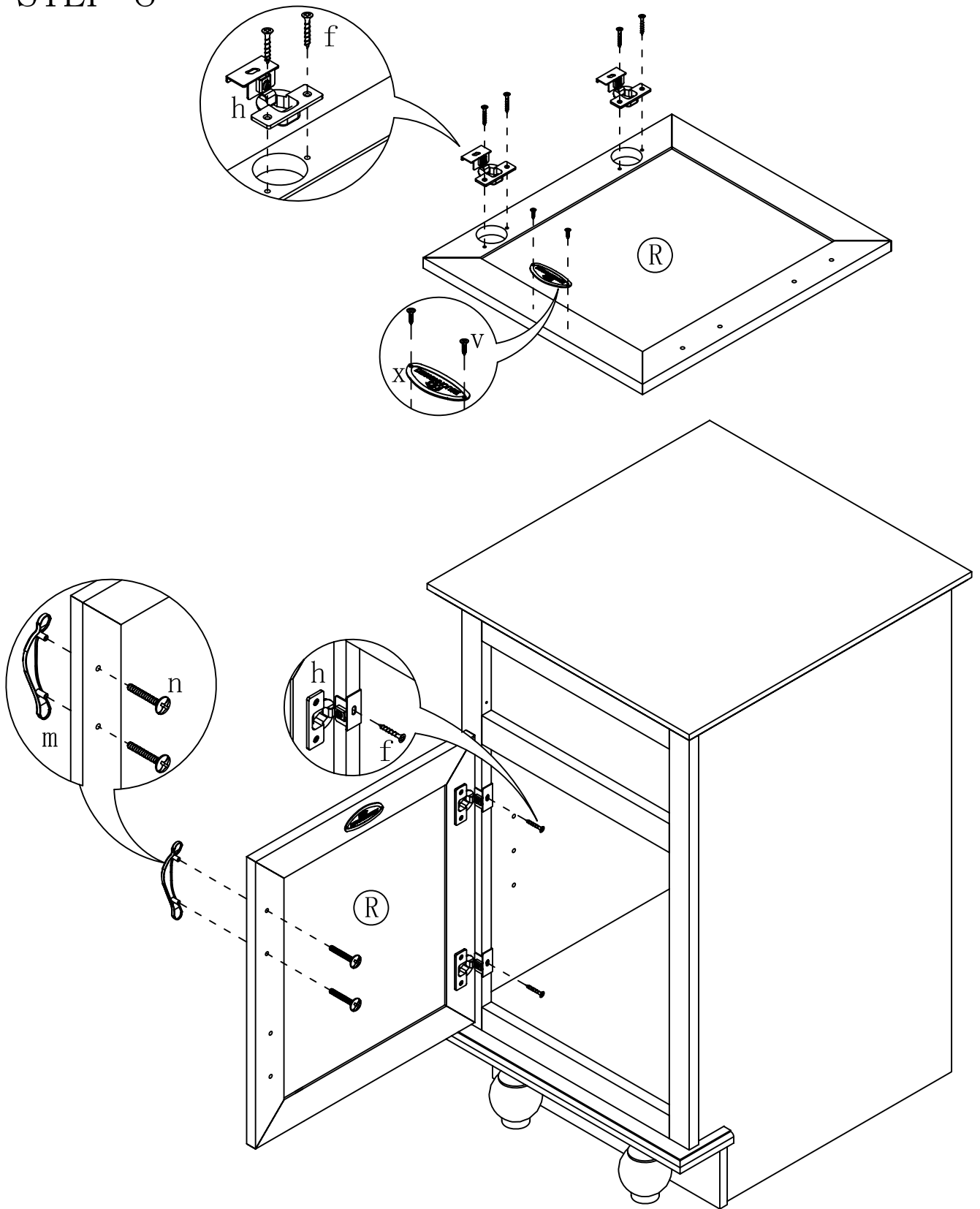
STEP 6



# STEP 7

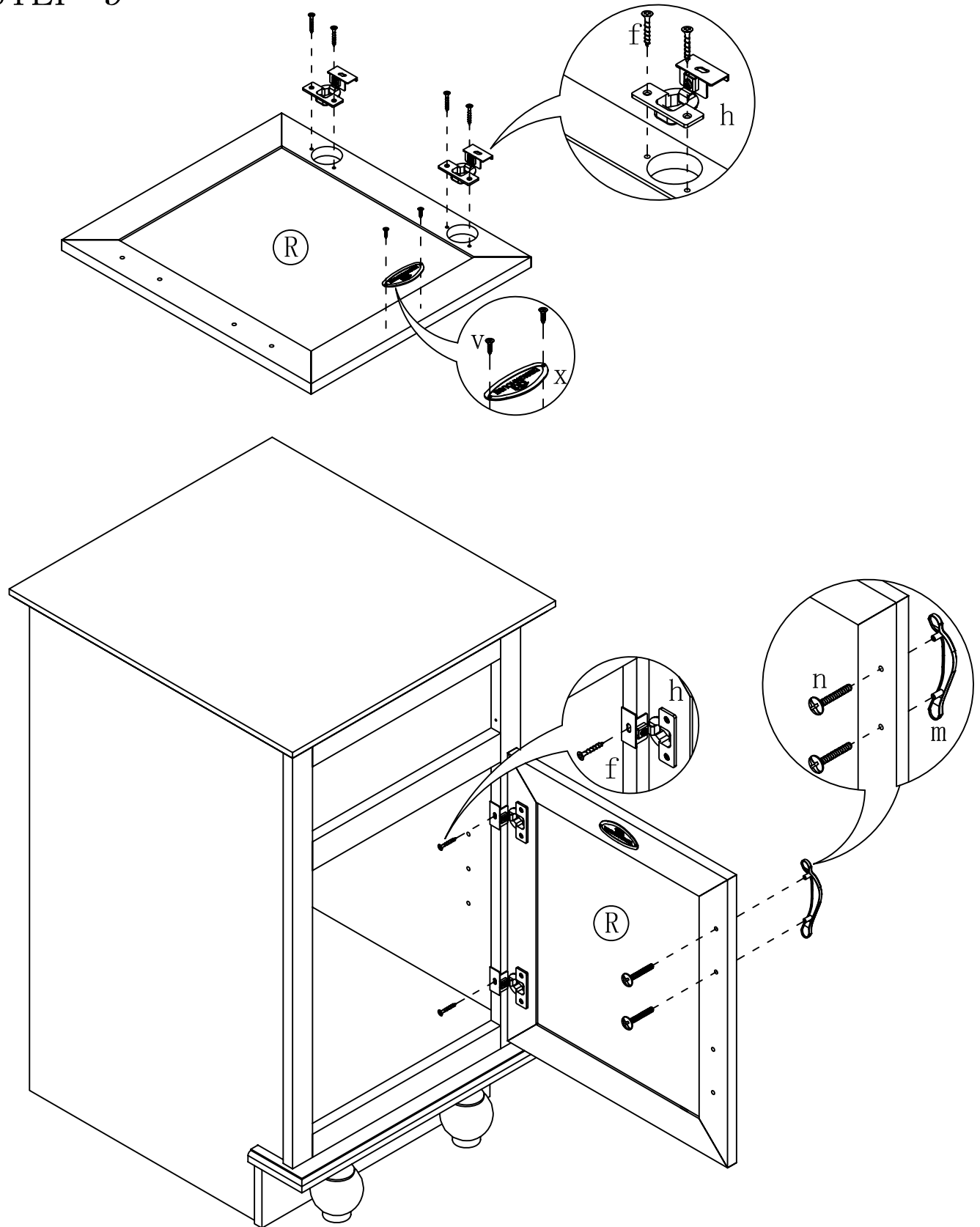


# STEP 8



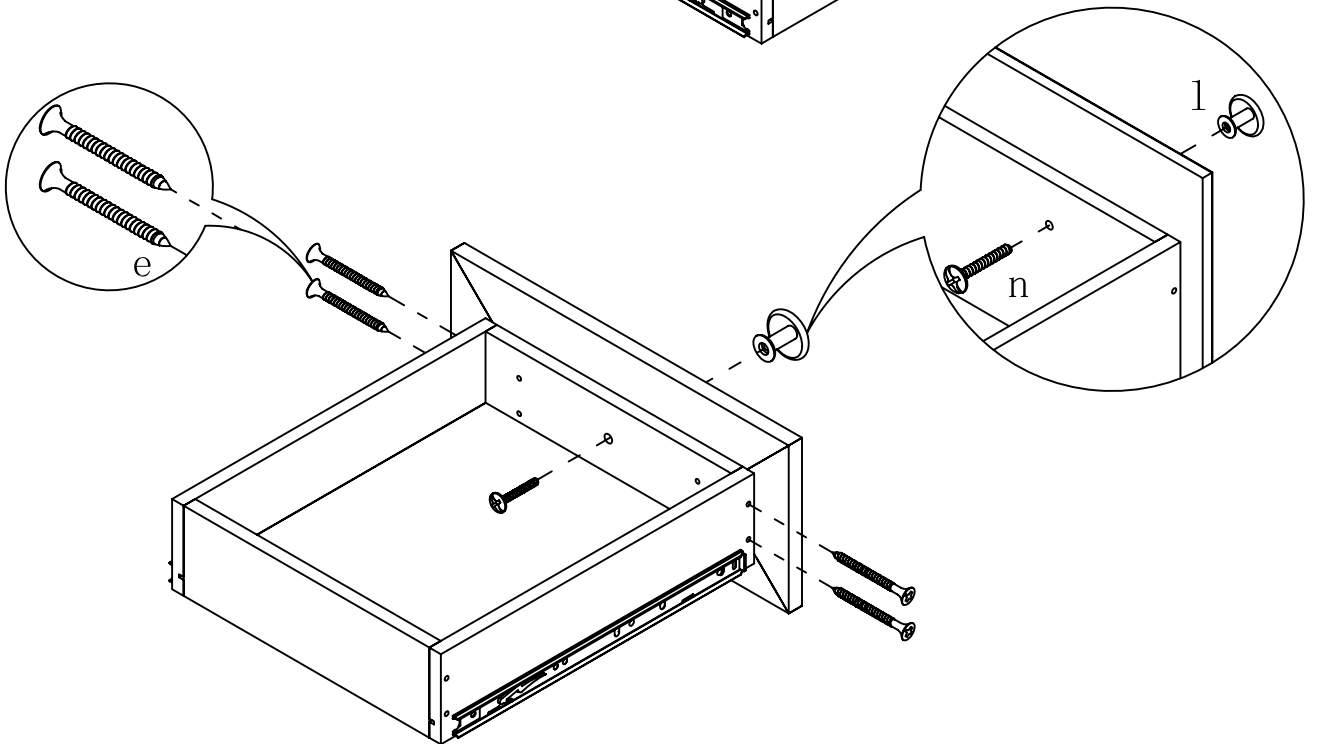
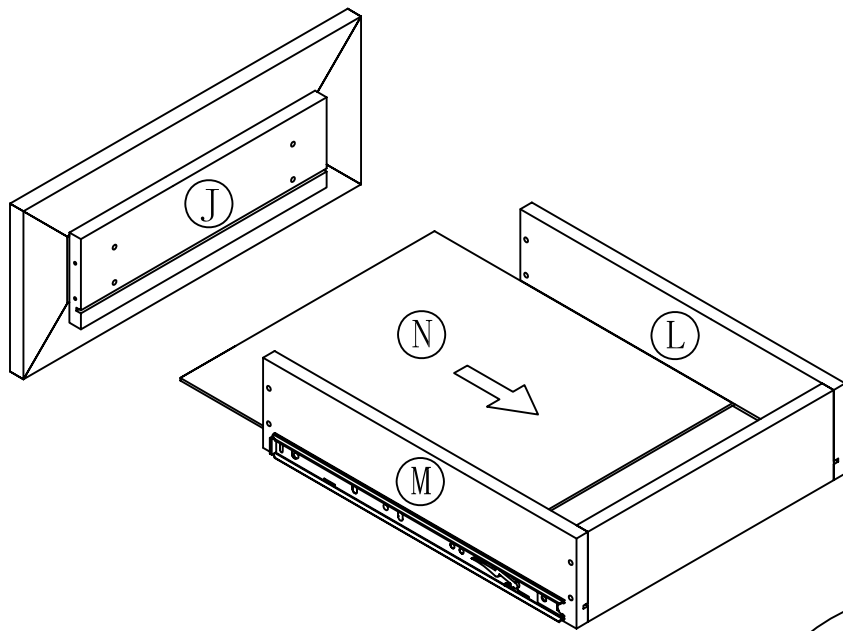
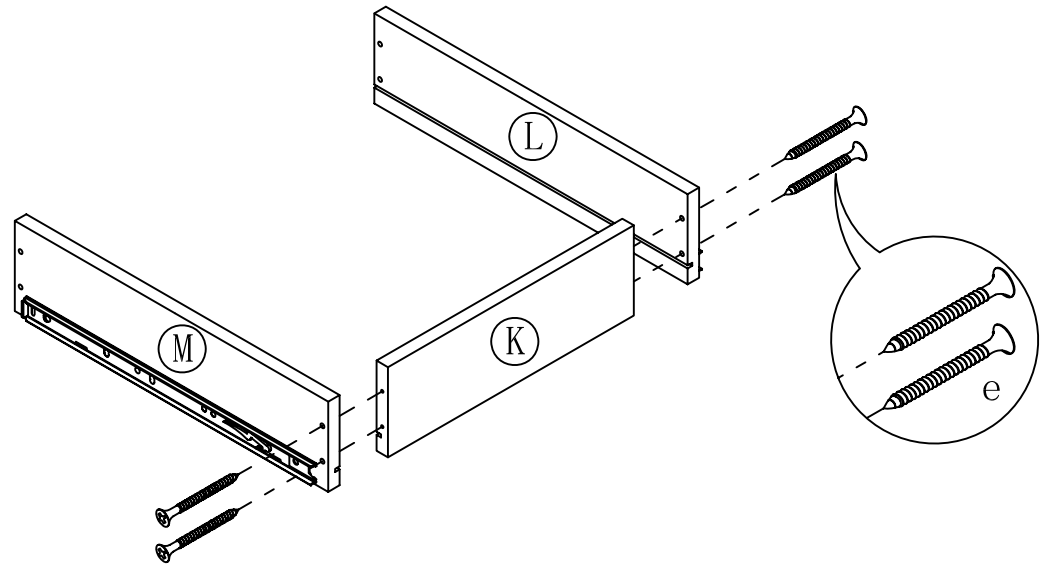
PLEASE FOLLOW STEP8  
IF YOU WOULD LIKE THE  
DOOR OPEN  
FROM THE LEFT

# STEP 9

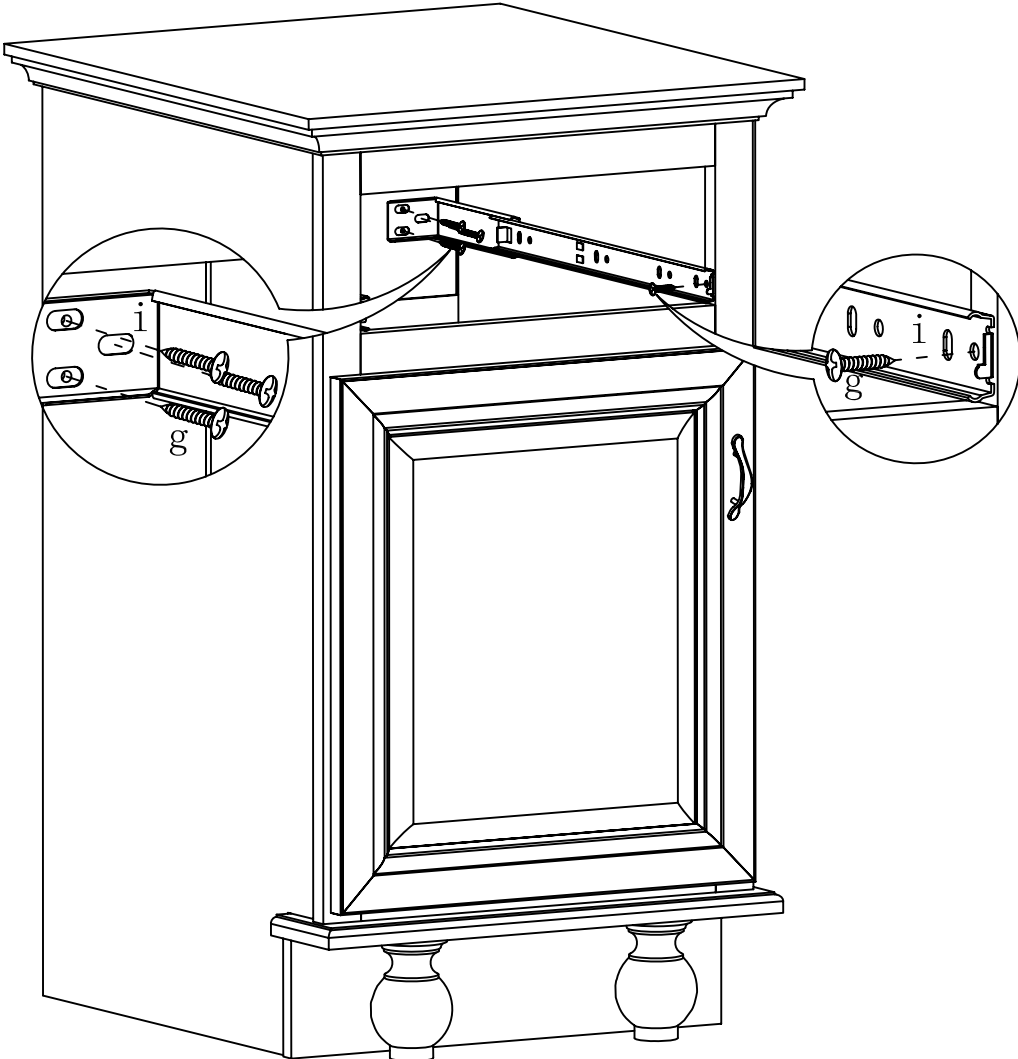


PLEASE FOLLOW STEP9  
IF YOU WOULD LIKE THE  
DOOR OPEN FROM THE  
RIGHT

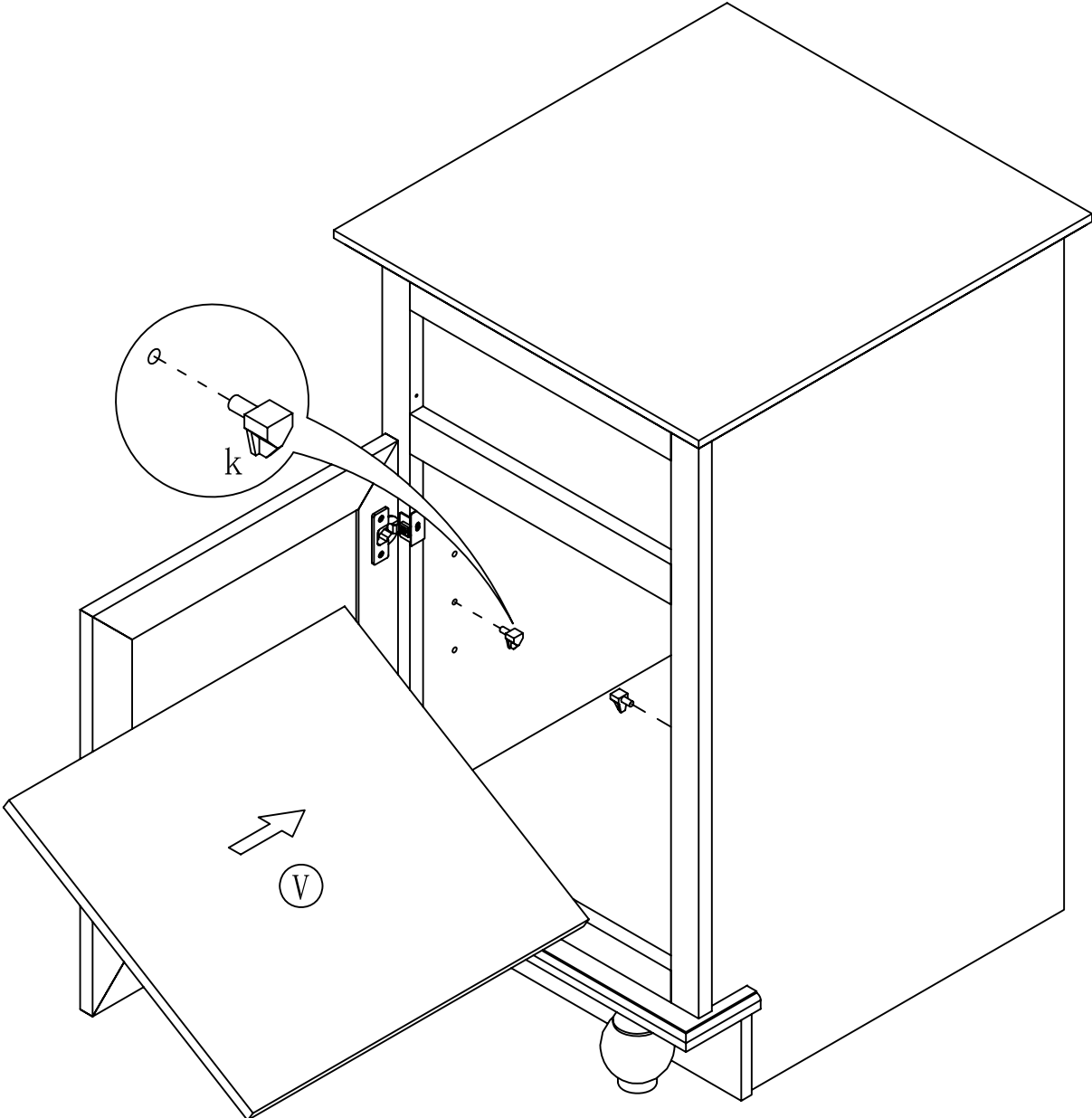
# STEP 10



STEP 11



STEP 12



STEP 13

