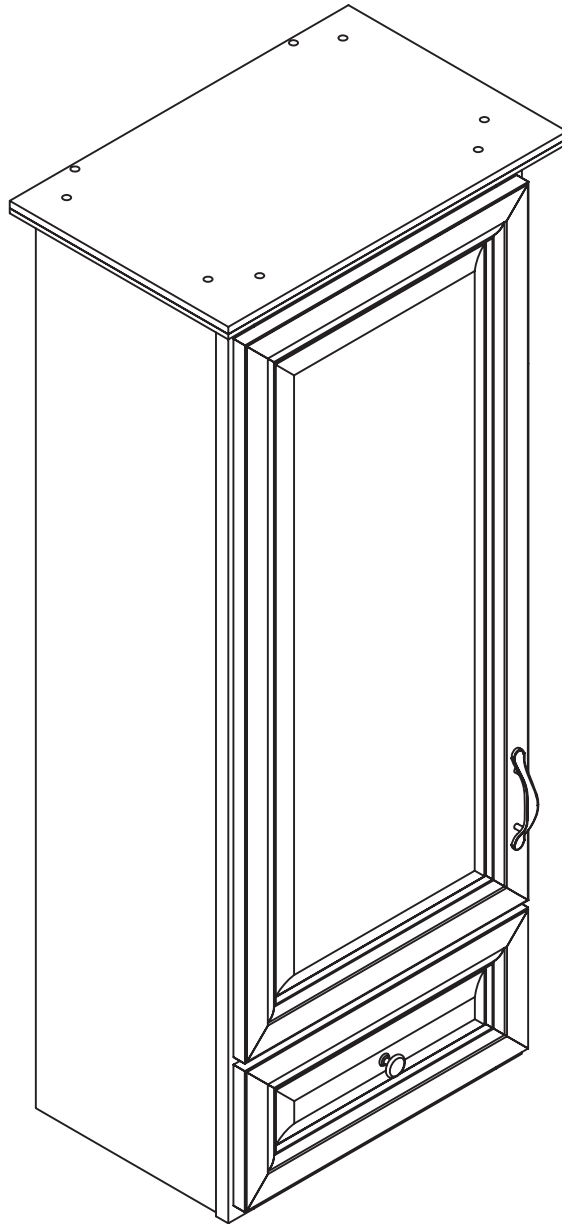




**ADVANCED**  
GLOBAL COMMERCE

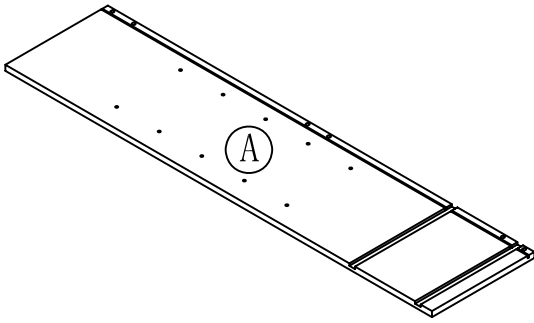
---



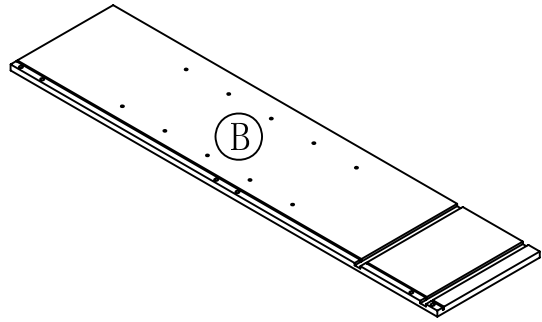
539957

# ASSEMBLY INSTRUCTIONS

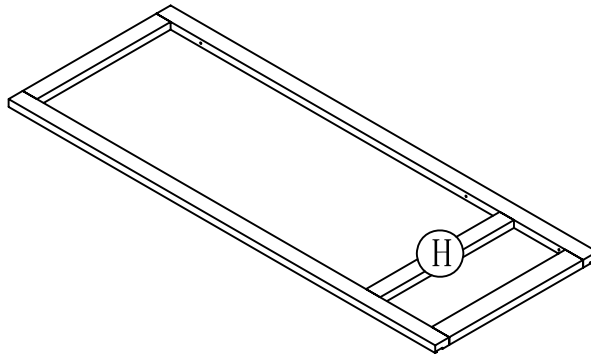
# PARTS LIST:



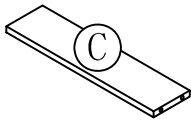
LEFT SIDE PANEL 1PC



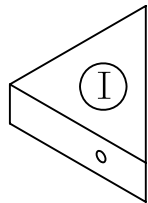
RIGHT SIDE PANEL 1PC



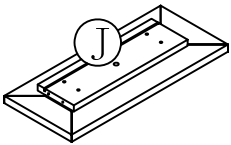
FRONT FRAME 1PC



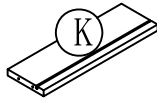
BACK CROSS  
BRACE 3PCS



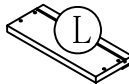
STRENGTH BLOCK 8PCS



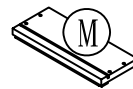
DRAWER FRONT  
PANEL 1PC



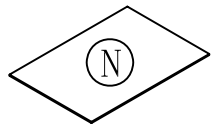
DRAWER BACK  
PANEL 1PC



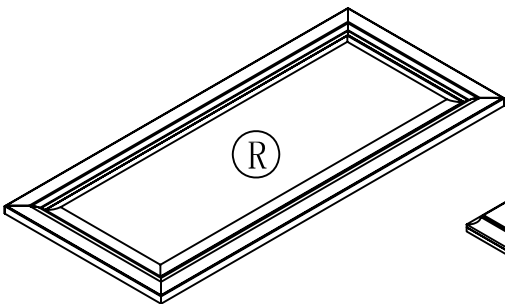
DRAWER LEFT SIDE  
PANEL 1PC



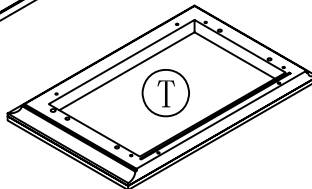
DRAWER RIGHT SIDE  
PANEL 1PC



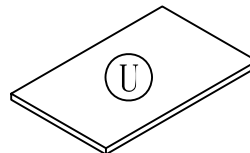
DRAWER BOTTOM  
PANEL 1PC



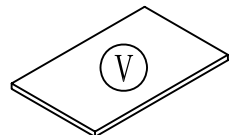
DOOR 1PC



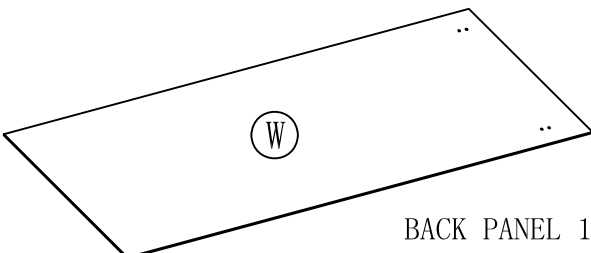
TOP PANEL 1PC



FIXED PANEL 2PCS



ADJUSTABLE PANEL 2PCS



BACK PANEL 1PC

# HARDWARE LIST:



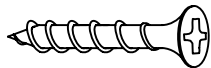
a. WOOD DOWEL 16PCS



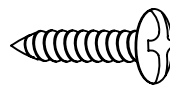
d. 1" L FLAT HEAD SCREW 16PCS



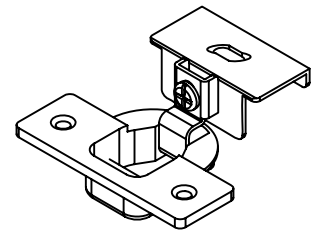
e. 1-1/2" L FLAT HEAD SCREW 16PCS



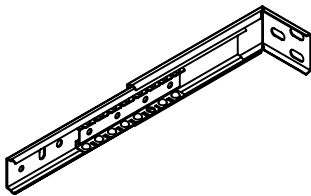
f. 5/8" L FLAT HEAD SCREW (FOR HINGE) 6PCS



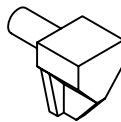
g. 1/2" L ROUND HEAD SCREW (FOR GUIDE) 8PCS



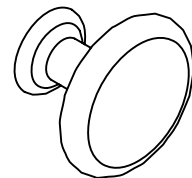
h. HINGE 2PCS



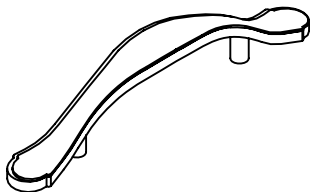
i. DRAWER GUIDE 2PCS



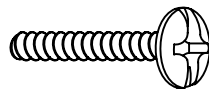
k. PIN 8PCS



l. KNOB 1PC



m. HANDLE 1PC

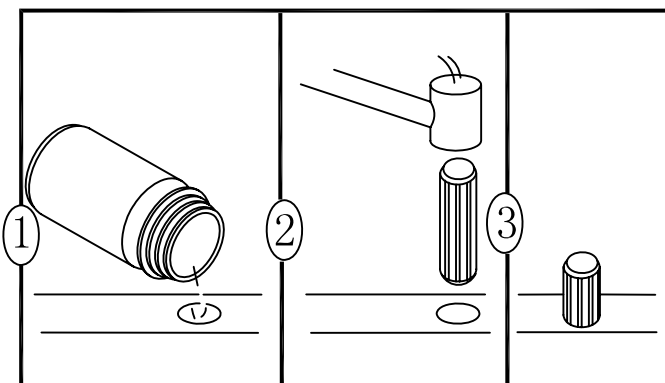
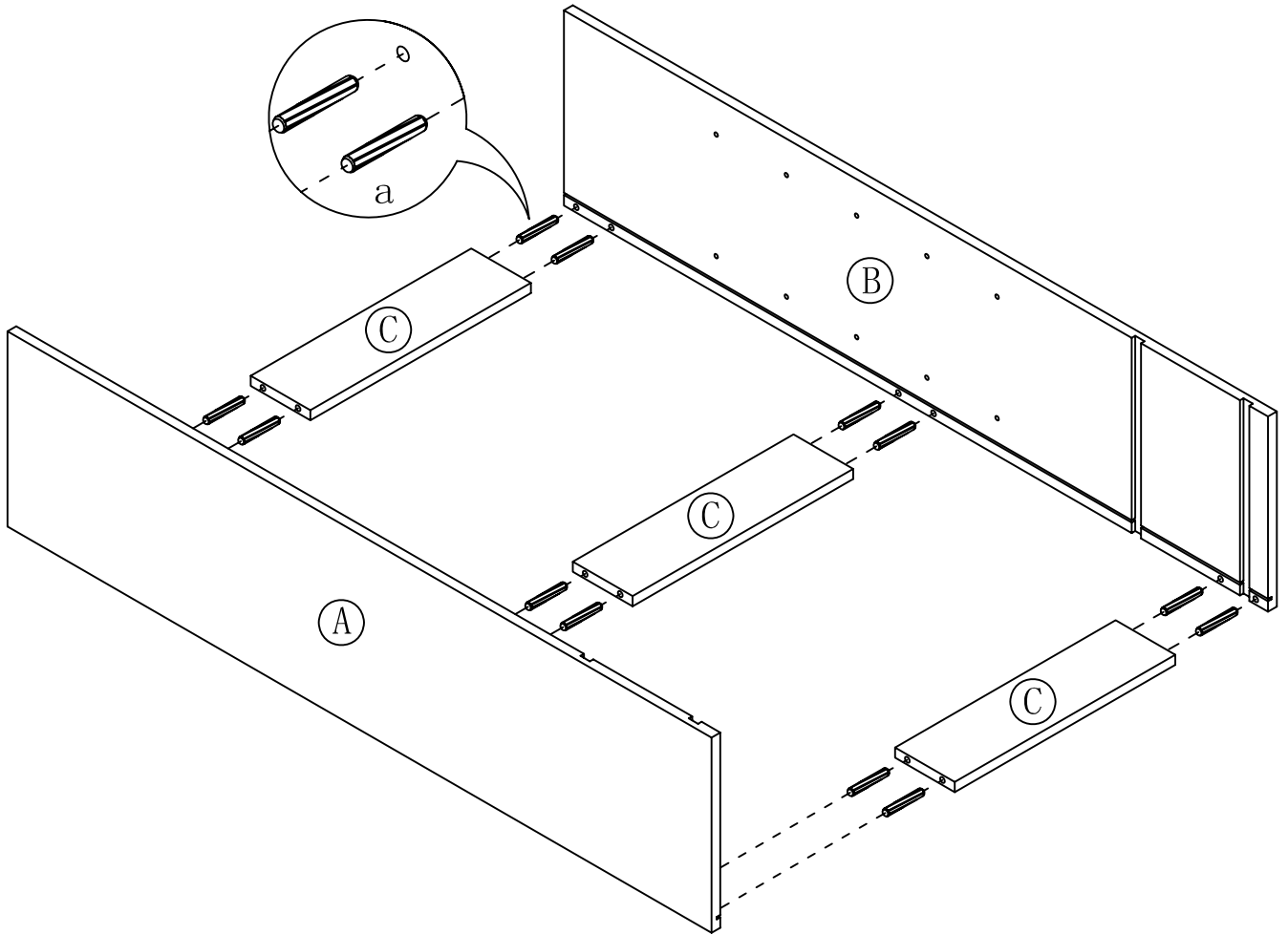


n. HANDLE (KNOB) BOLT 3PCS

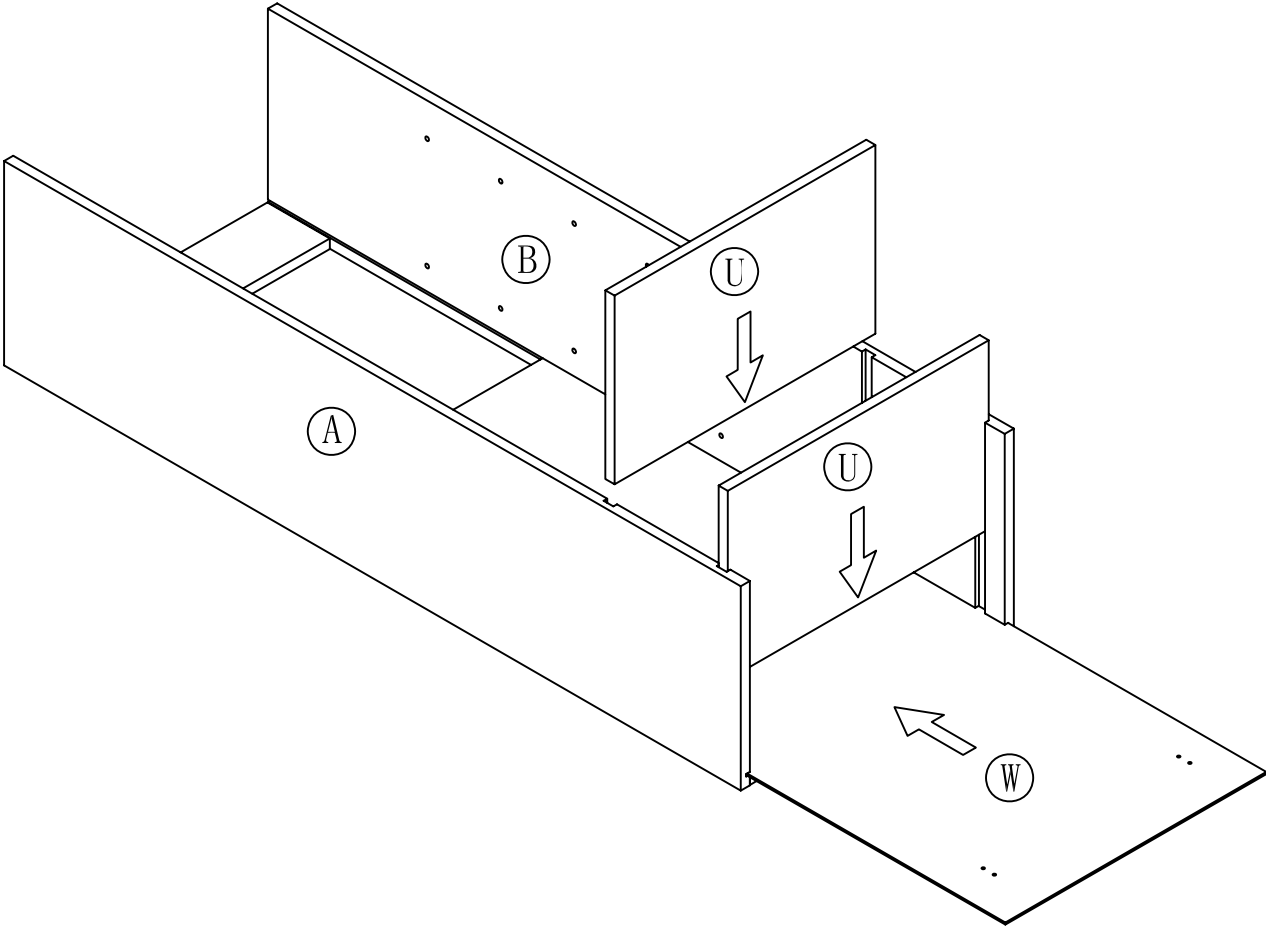


p. GLUE 1PC

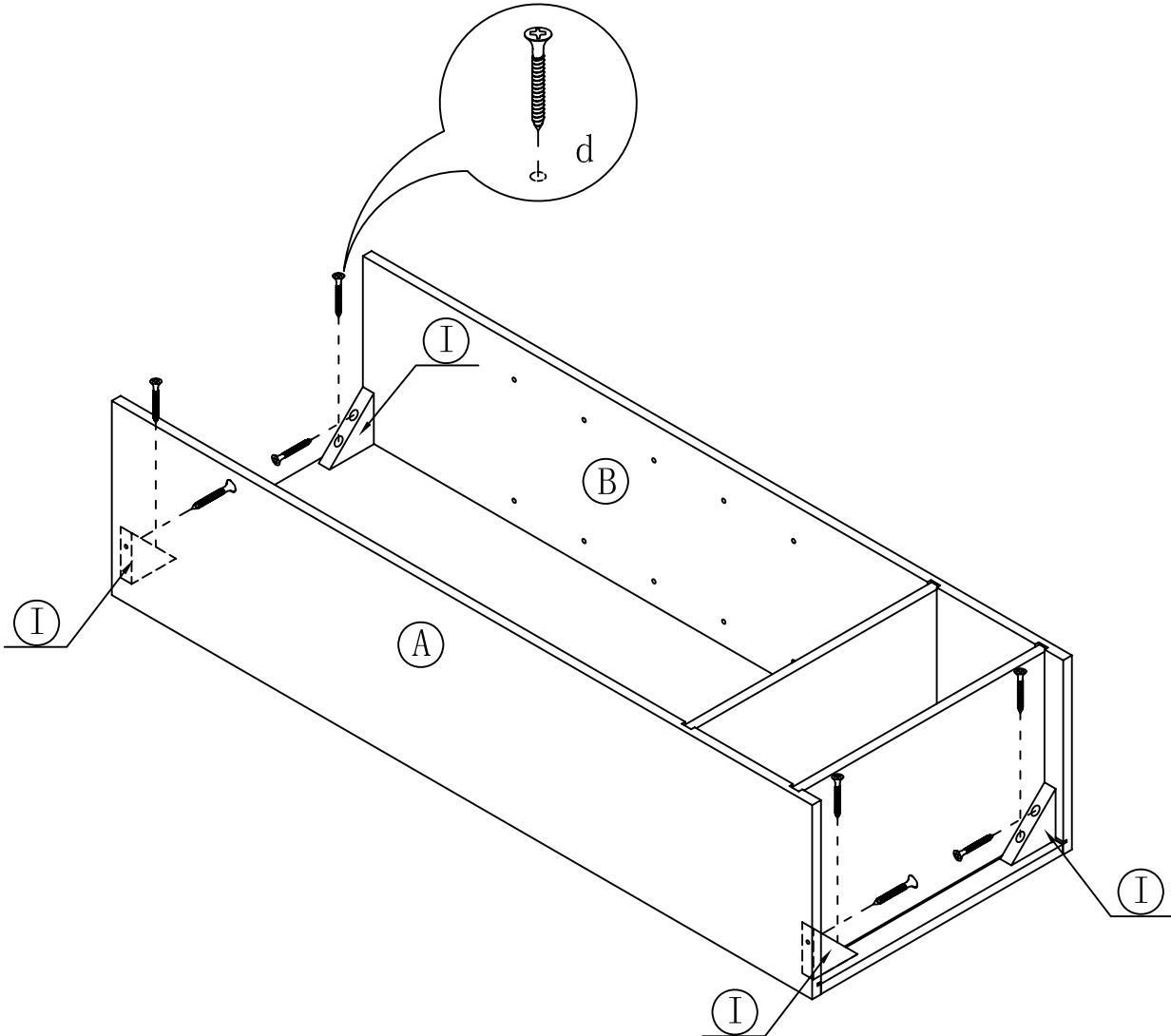
# STEP 1



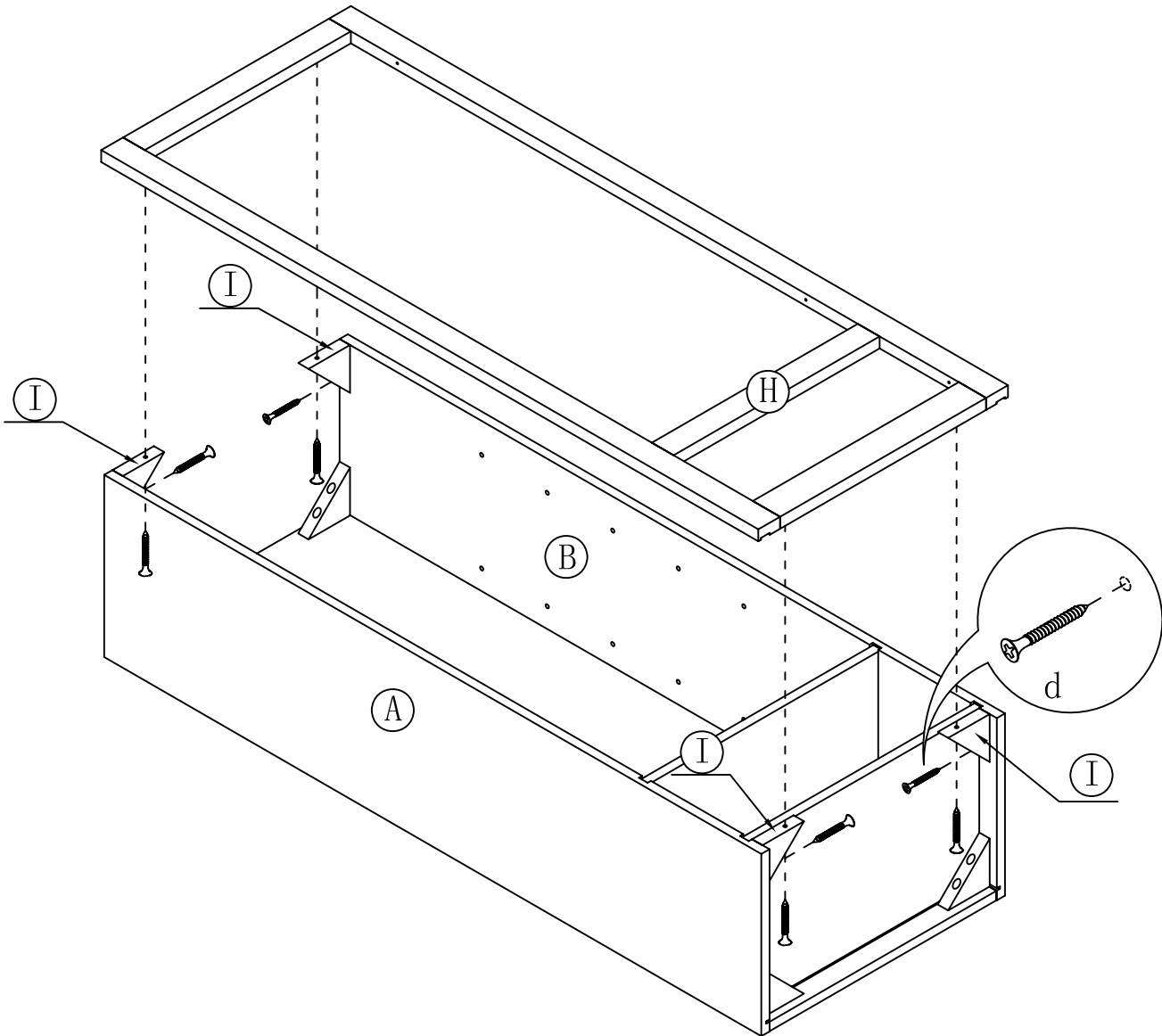
STEP 2



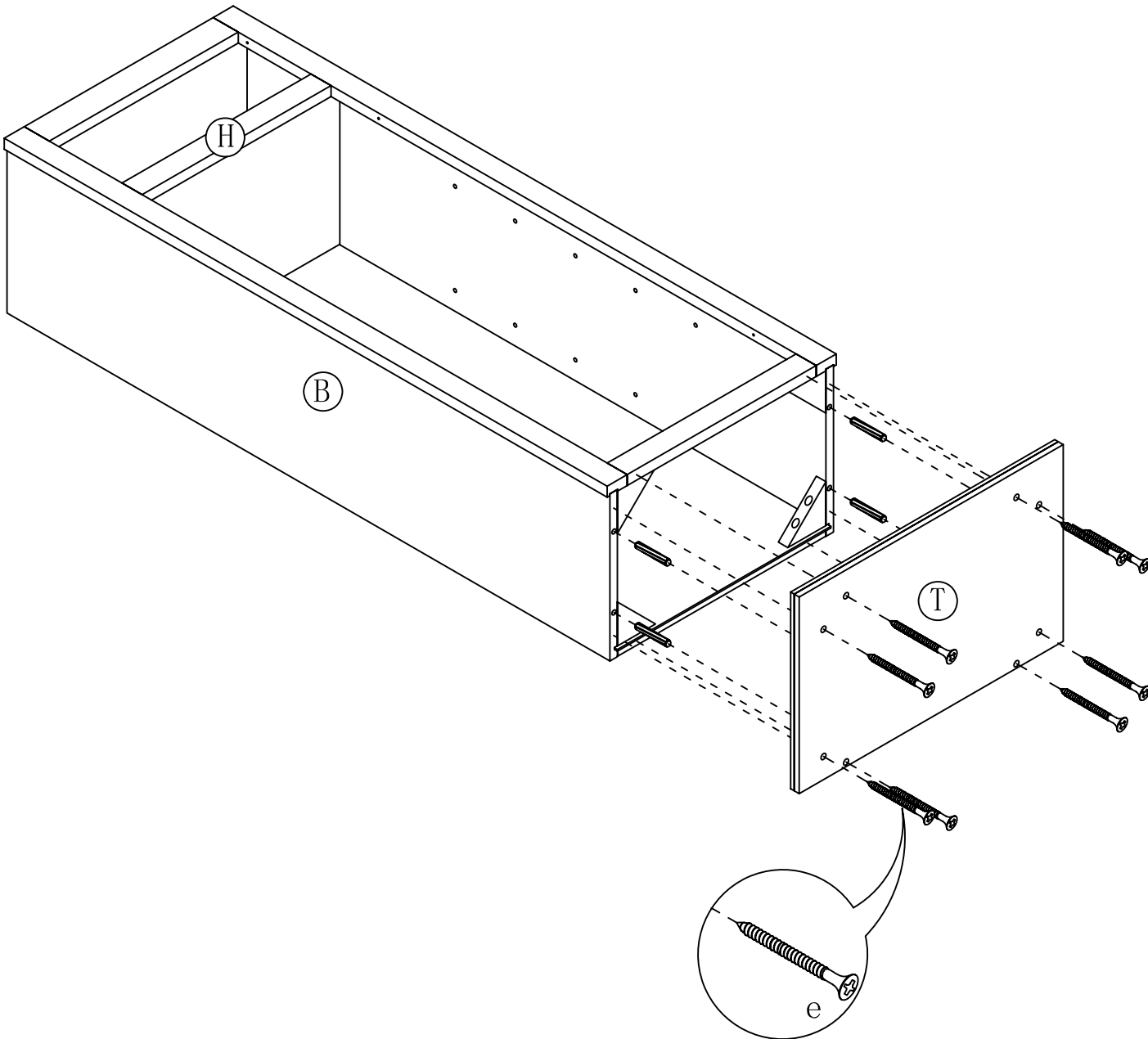
# STEP 3



# STEP 4

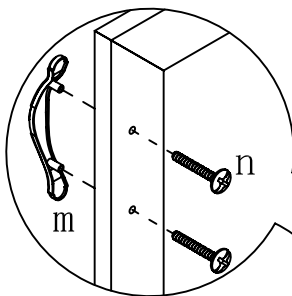
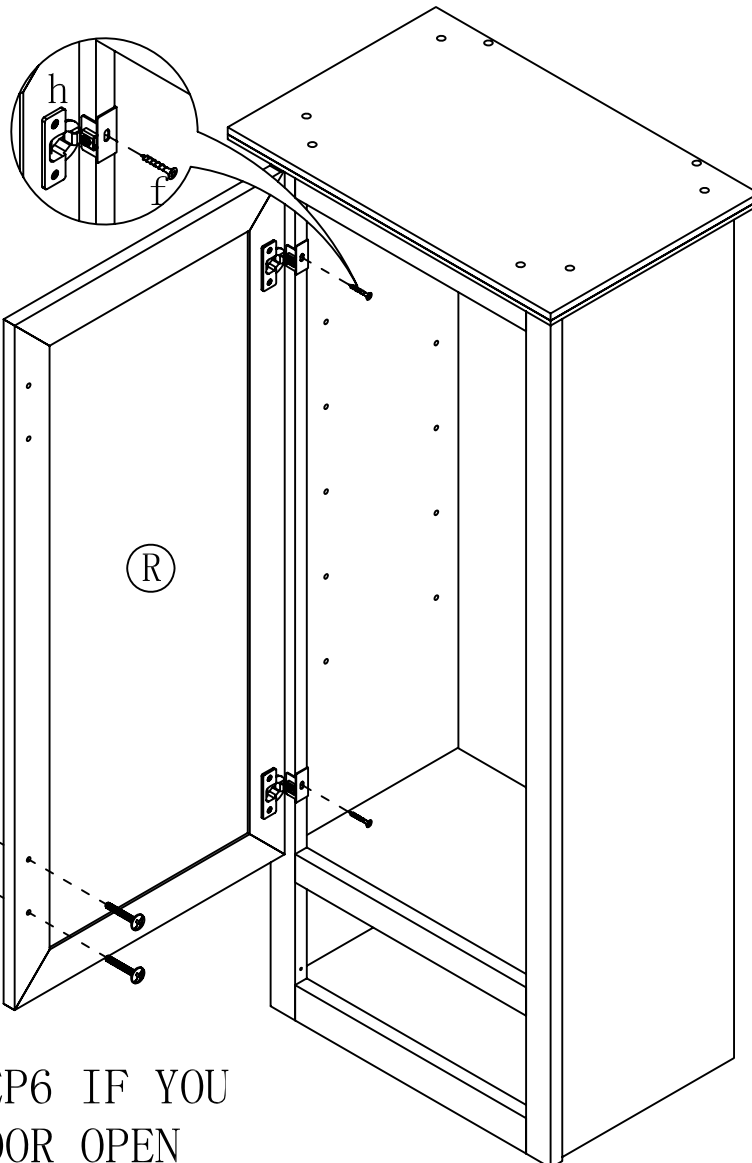
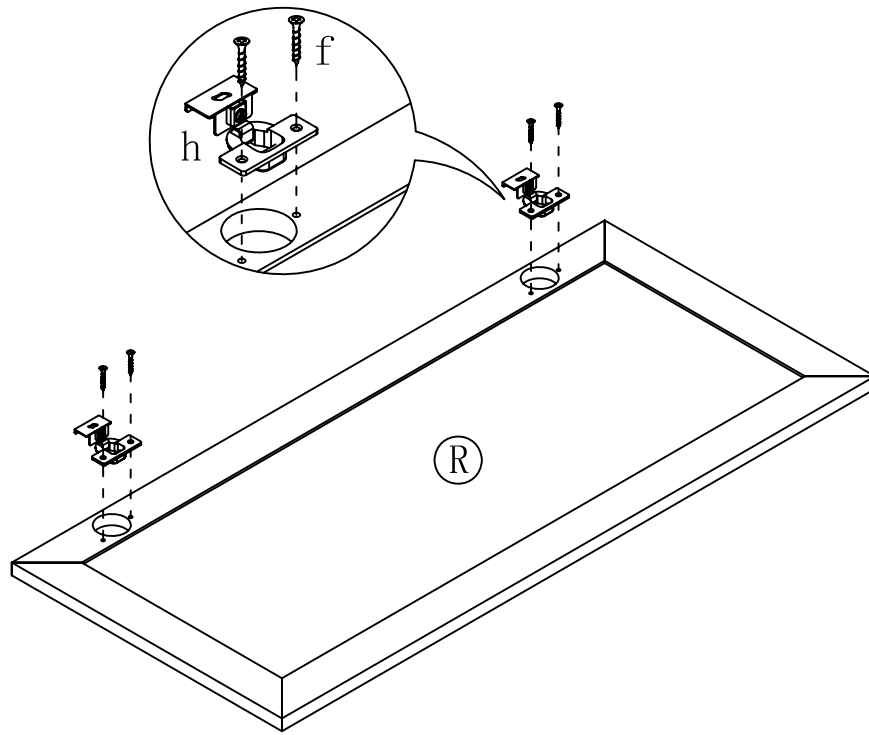


STEP 5



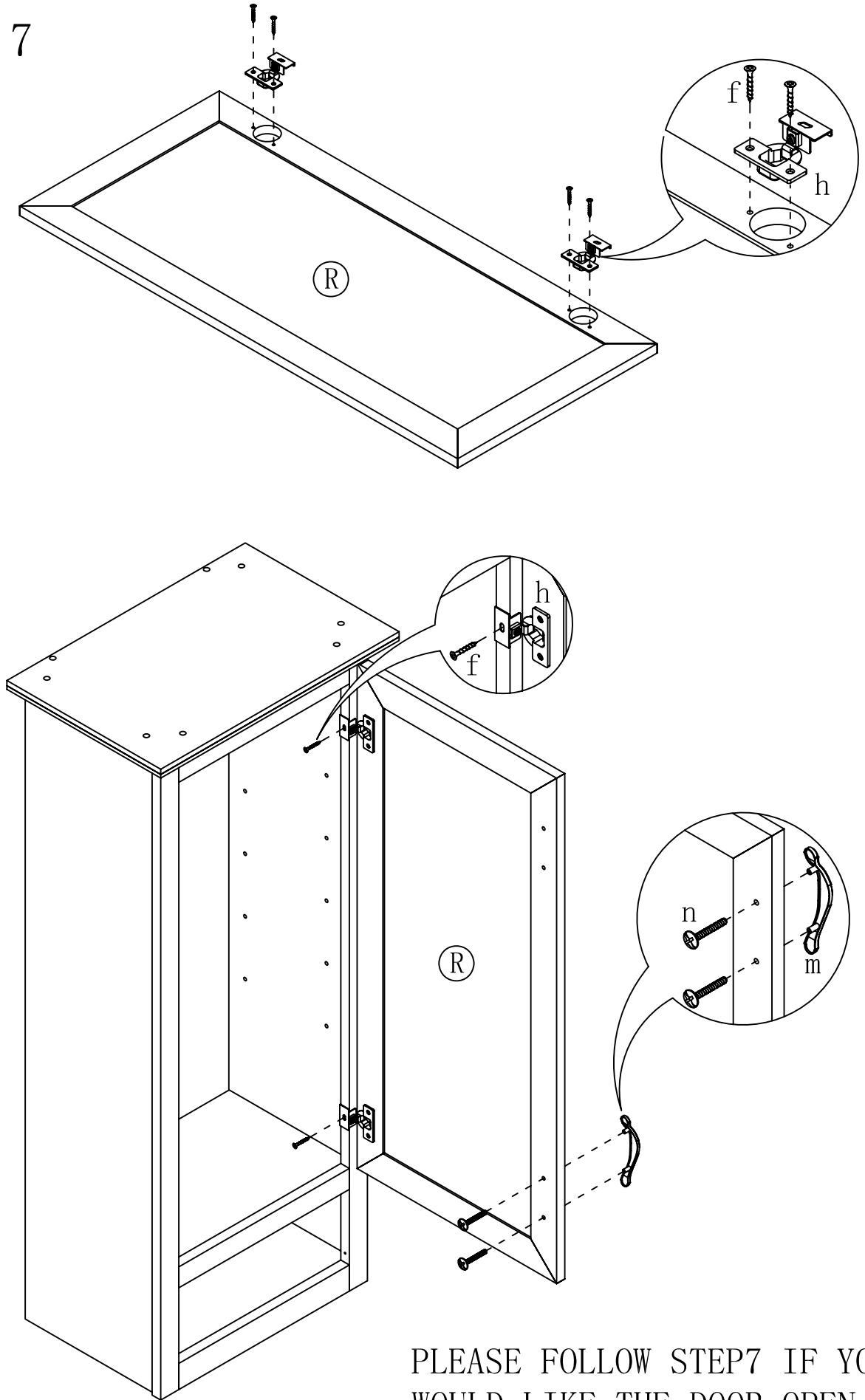


# STEP 6



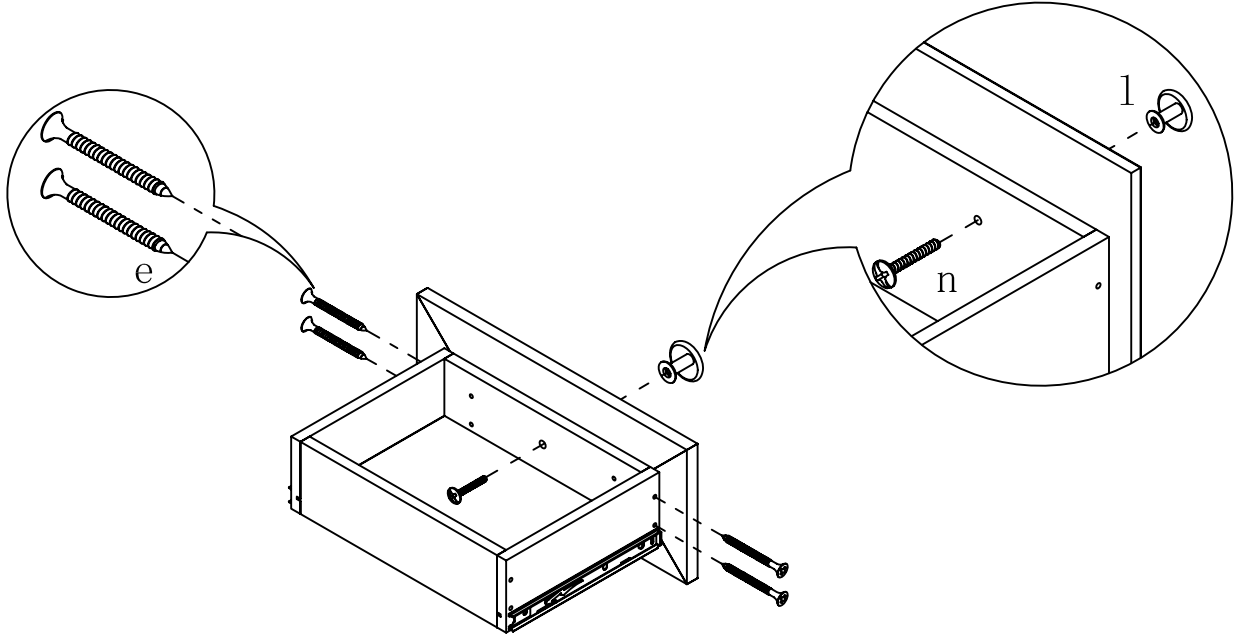
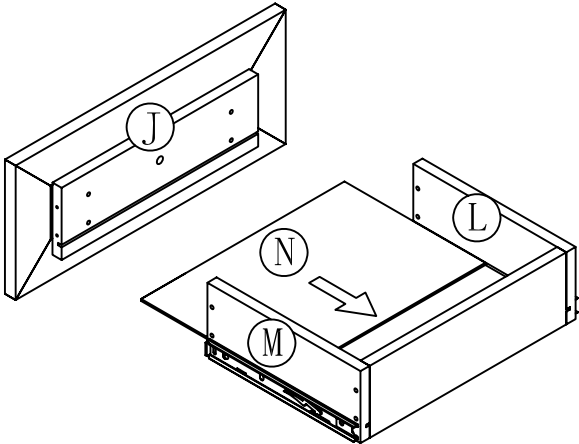
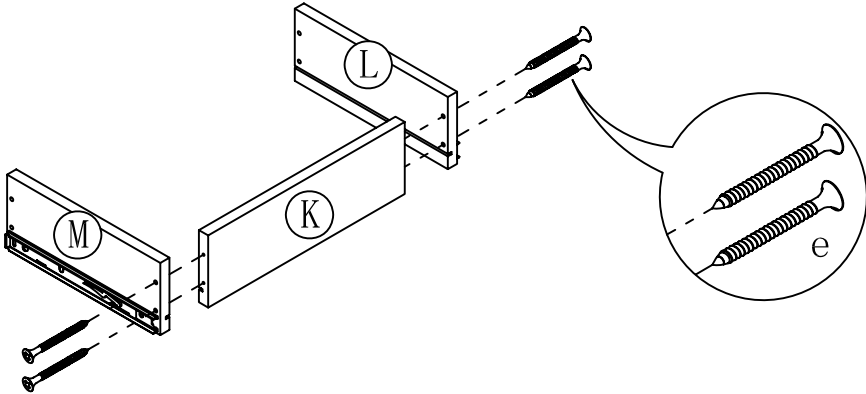
PLEASE FOLLOW STEP6 IF YOU  
WOULD LIKE THE DOOR OPEN  
FROM THE LEFT

# STEP 7

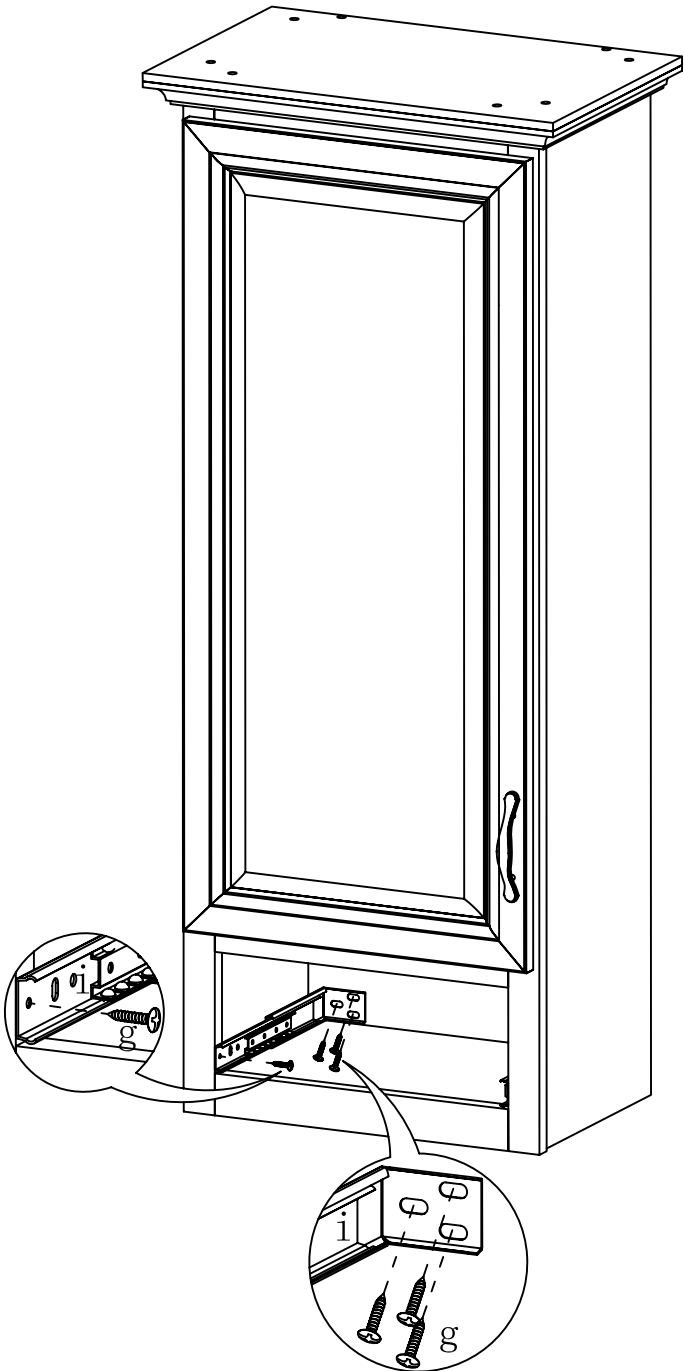


PLEASE FOLLOW STEP7 IF YOU  
WOULD LIKE THE DOOR OPEN  
FROM THE RIGHT

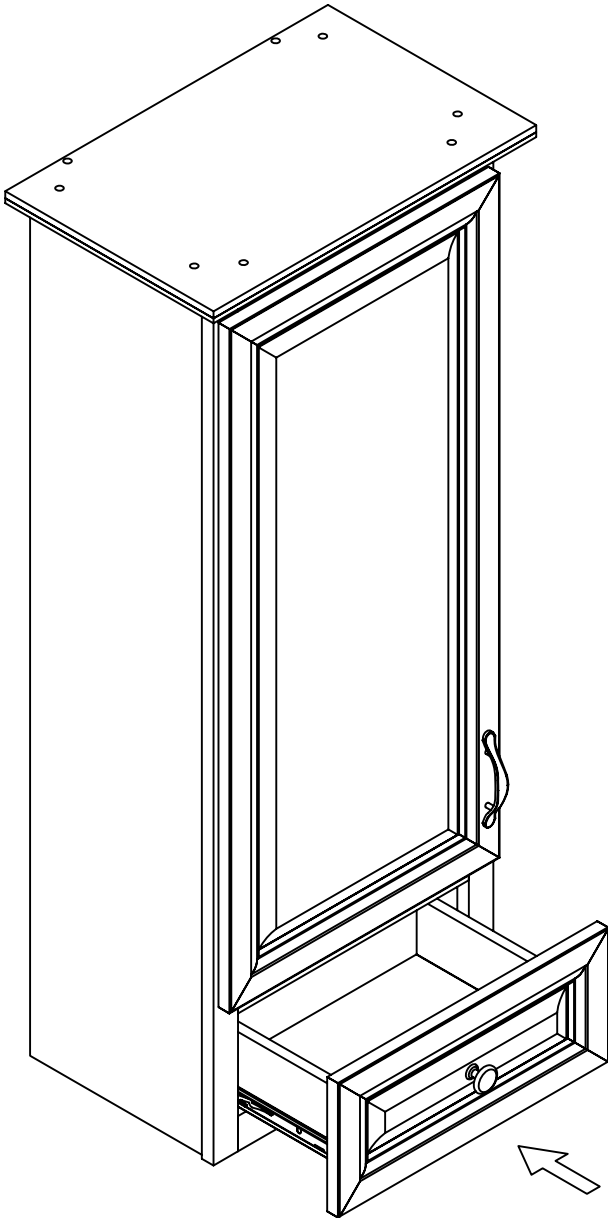
STEP 8



STEP 9



STEP 10



STEP 11

