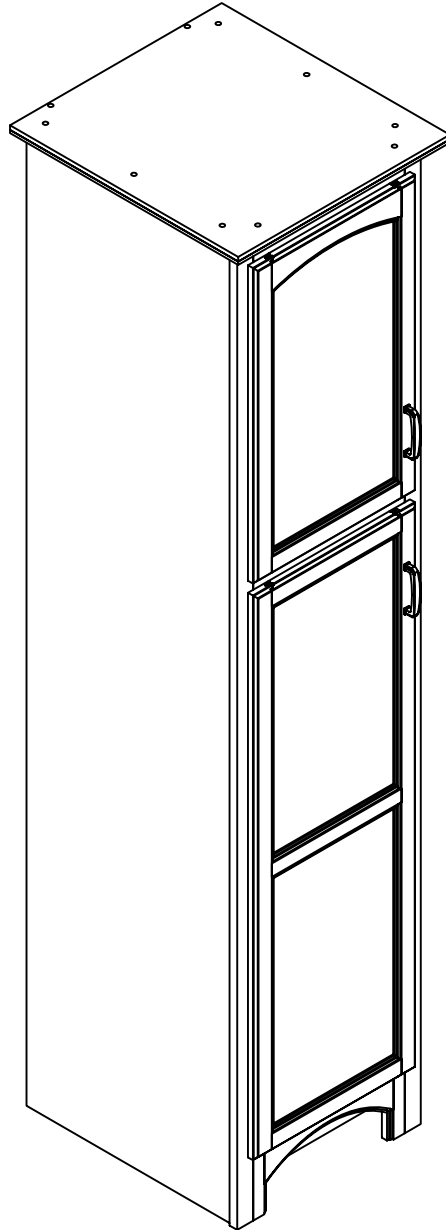




[www.todaysdesignhouse.com](http://www.todaysdesignhouse.com)

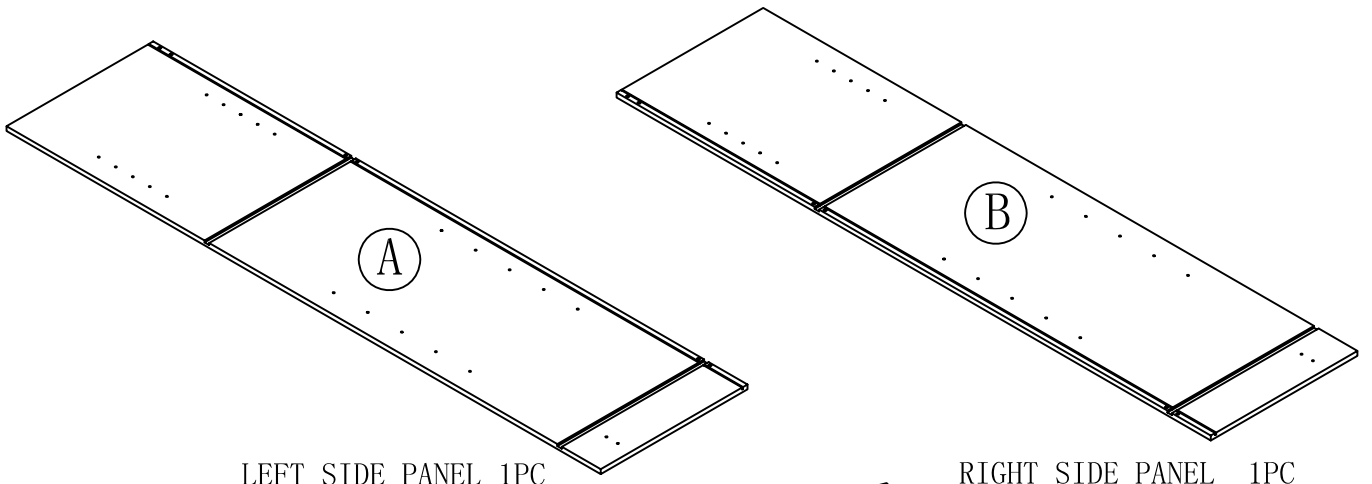


540849

# ASSEMBLY INSTRUCTIONS

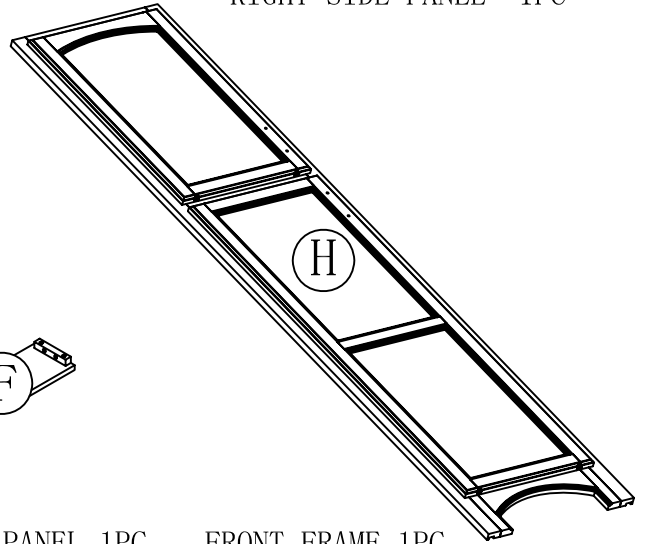
DHI Corp. • 5205 W. Donges Bay Rd. • Mequon, WI 53092 • 800.558.8700

# PARTS LIST:



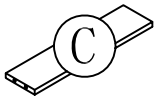
LEFT SIDE PANEL 1PC

RIGHT SIDE PANEL 1PC



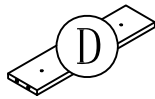
H

FRONT FRAME 1PC



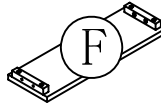
C

BACK UP CROSS BRACE 1PC



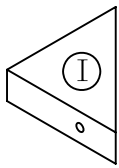
D

BACK DOWN CROSS BRACE 2PCS



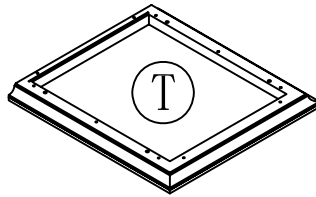
F

TOE KICK PANEL 1PC



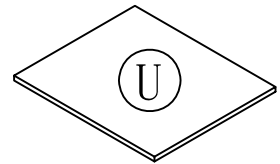
I

STRENGTH BLOCK 8PCS



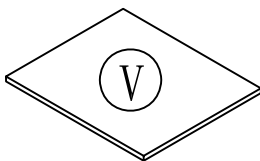
T

TOP PANEL 1PC



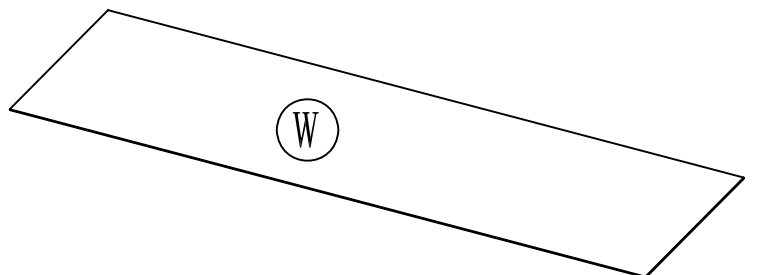
U

FIXED PANEL 2PCS



V

ADJUSTABLE PANEL 2PCS



W

BACK PANEL 1PC

# HARDWARE LIST:



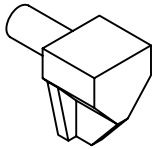
a. WOOD DOWEL 16PCS



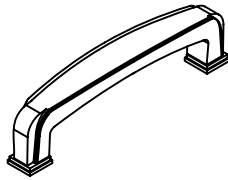
d. 1" L FLAT HEAD  
SCREW 20PCS



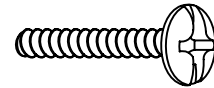
e. 1-1/2" L FLAT HEAD  
SCREW 14PCS



k. PIN 8PCS



m. HANDLE 2PCS

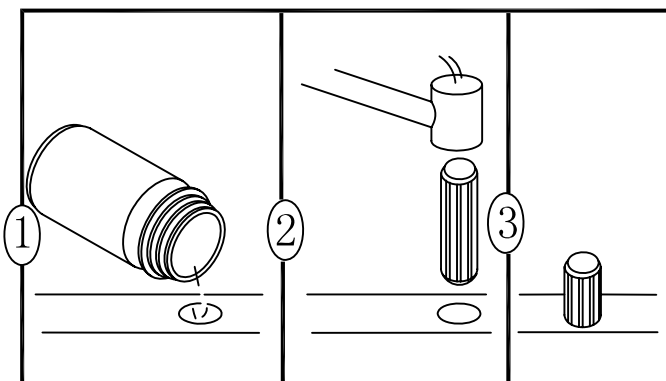
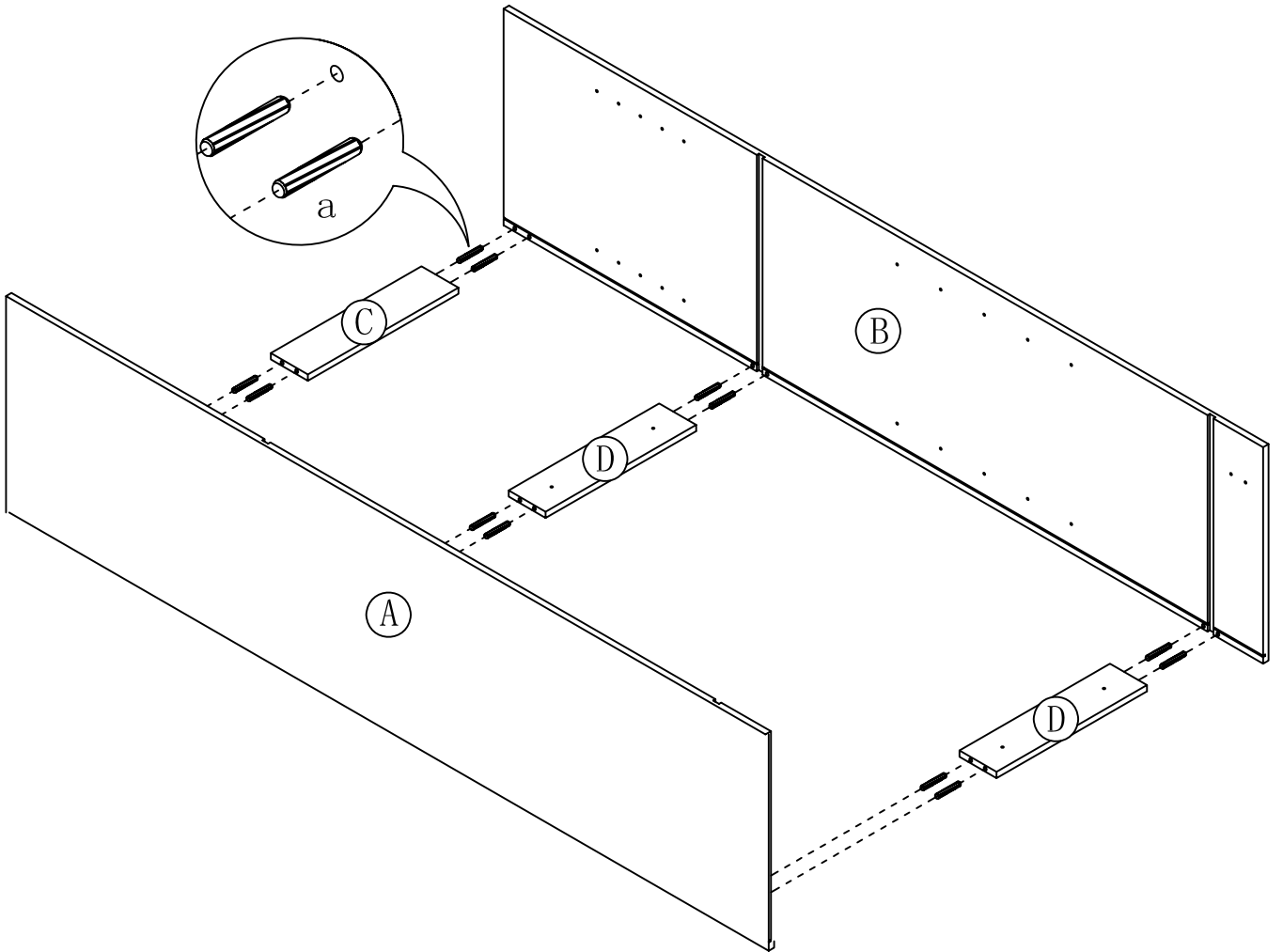


n. HANDLE BOLT 4PCS

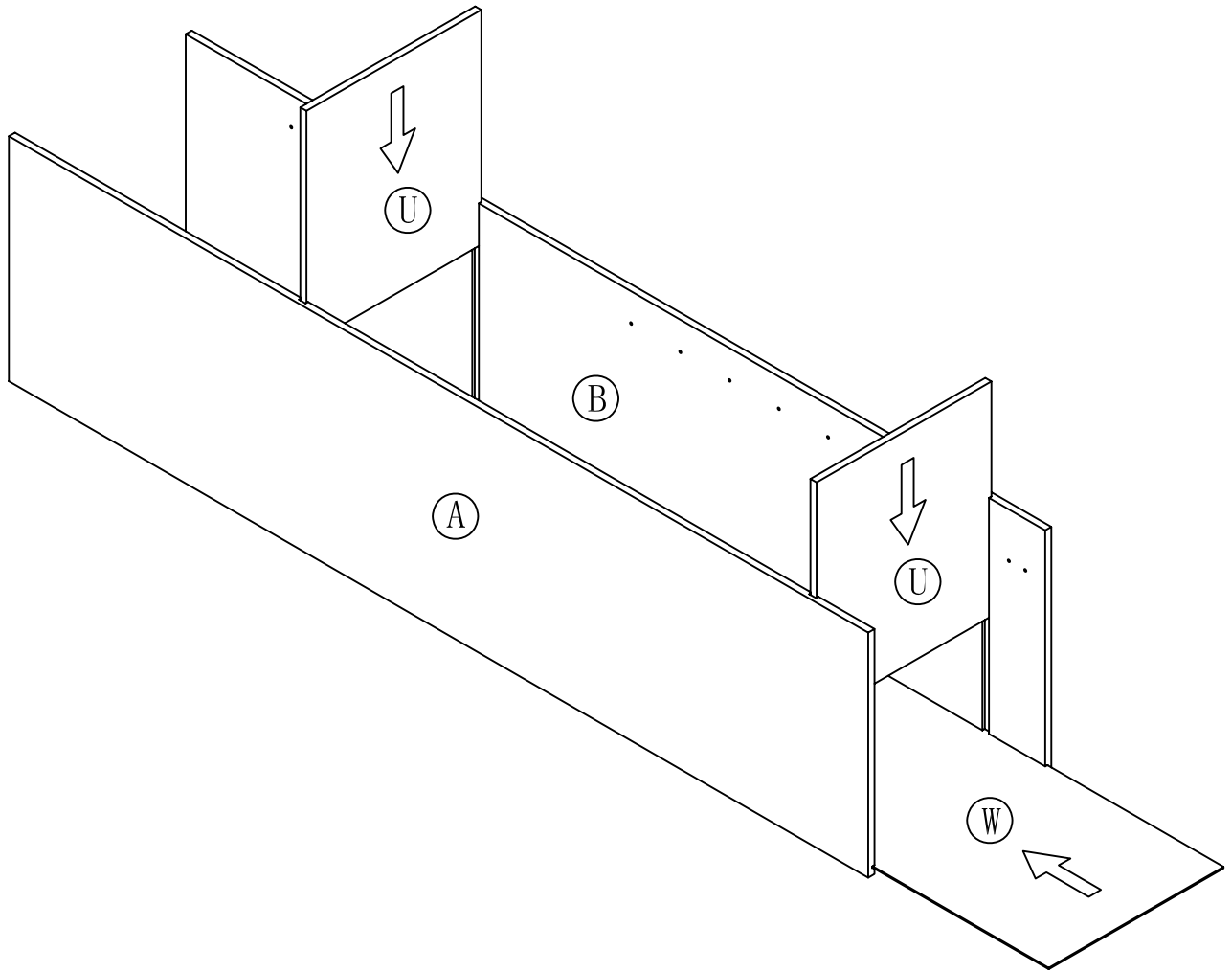


p. GLUE 1PC

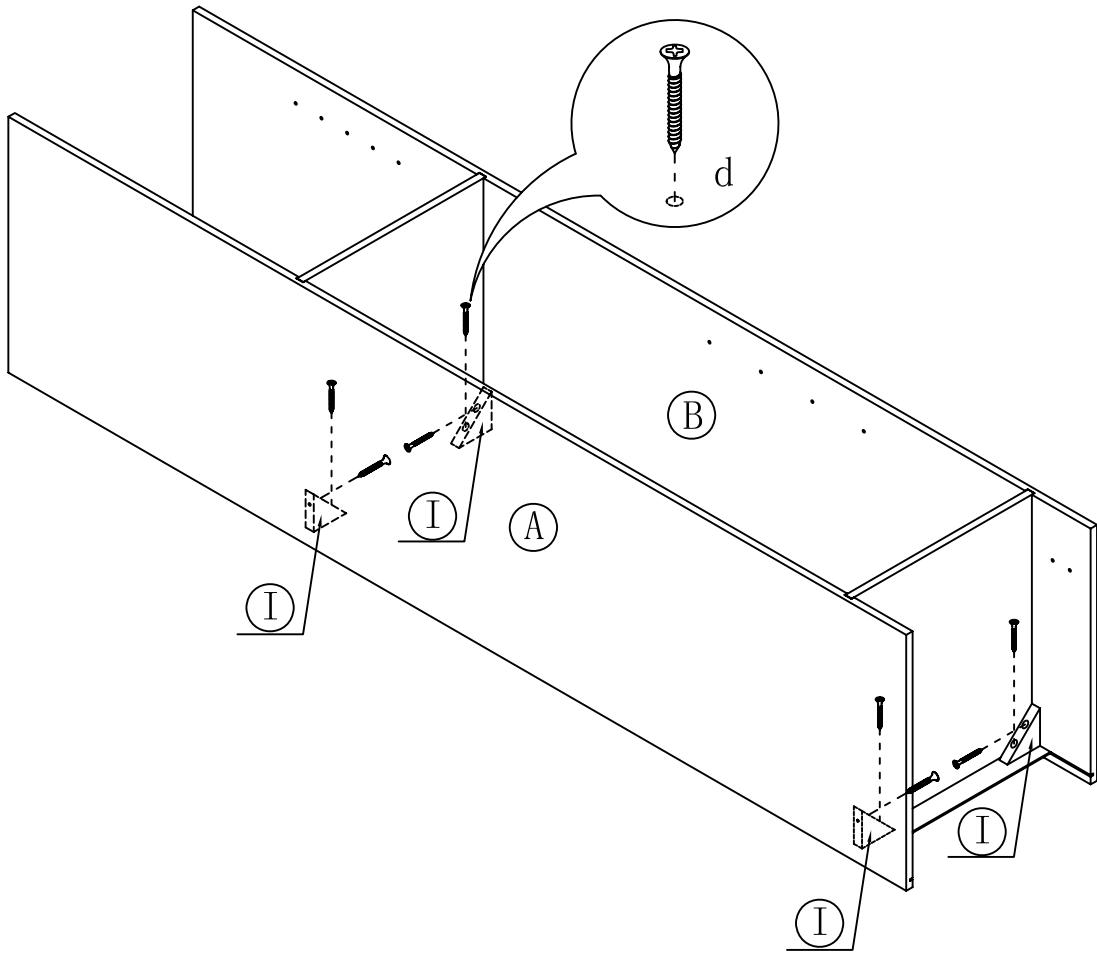
# STEP 1



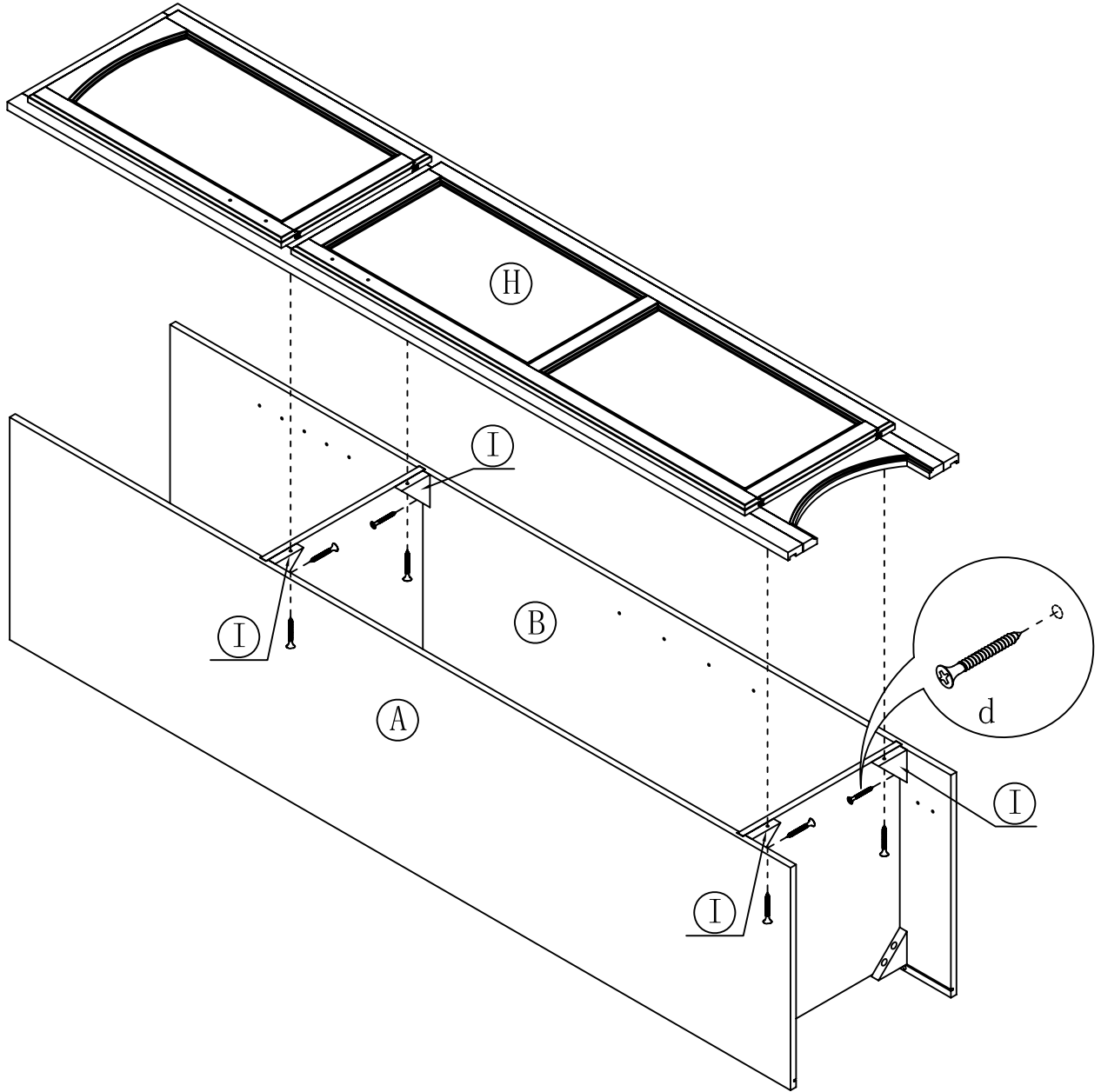
# STEP 2



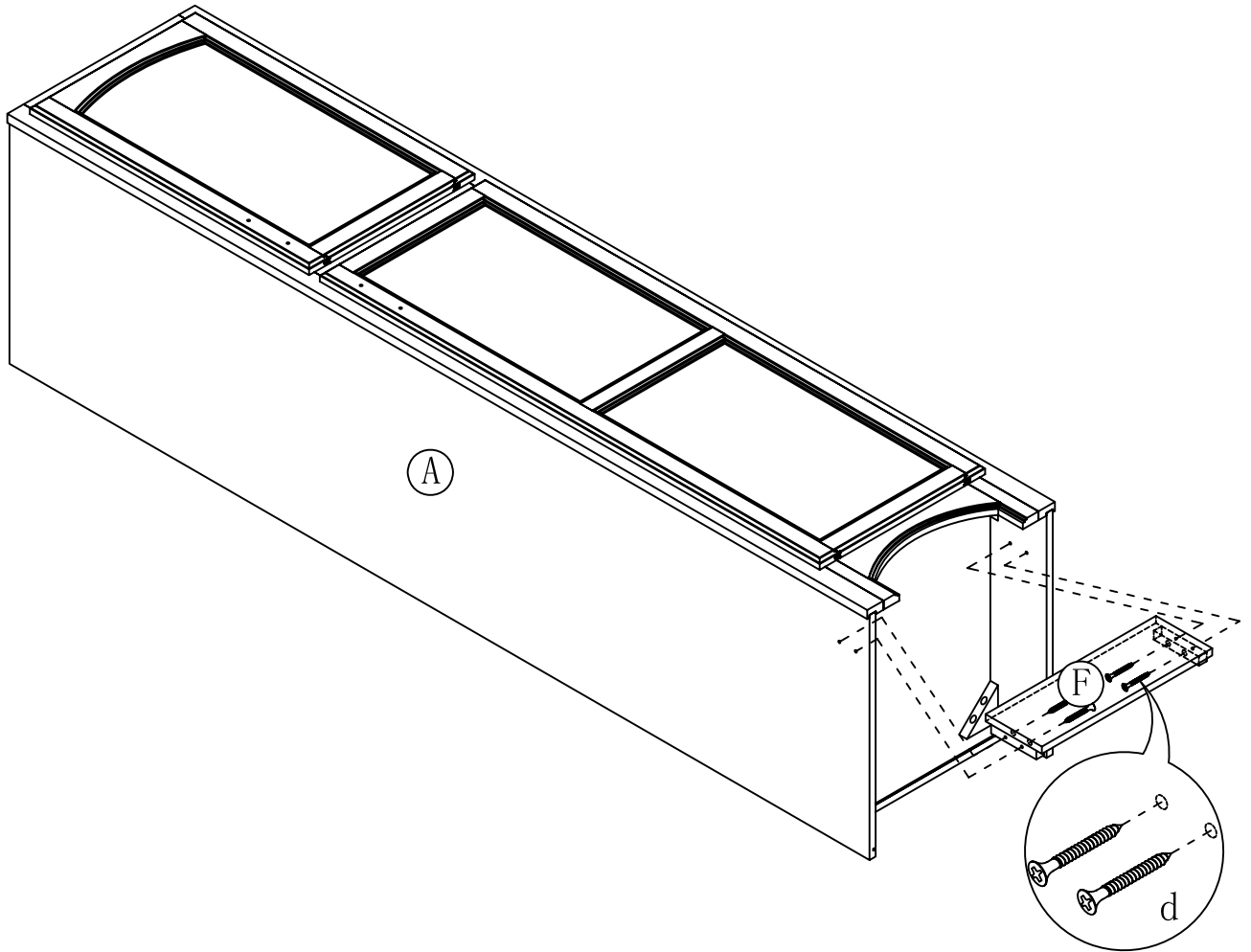
# STEP 3



# STEP 4

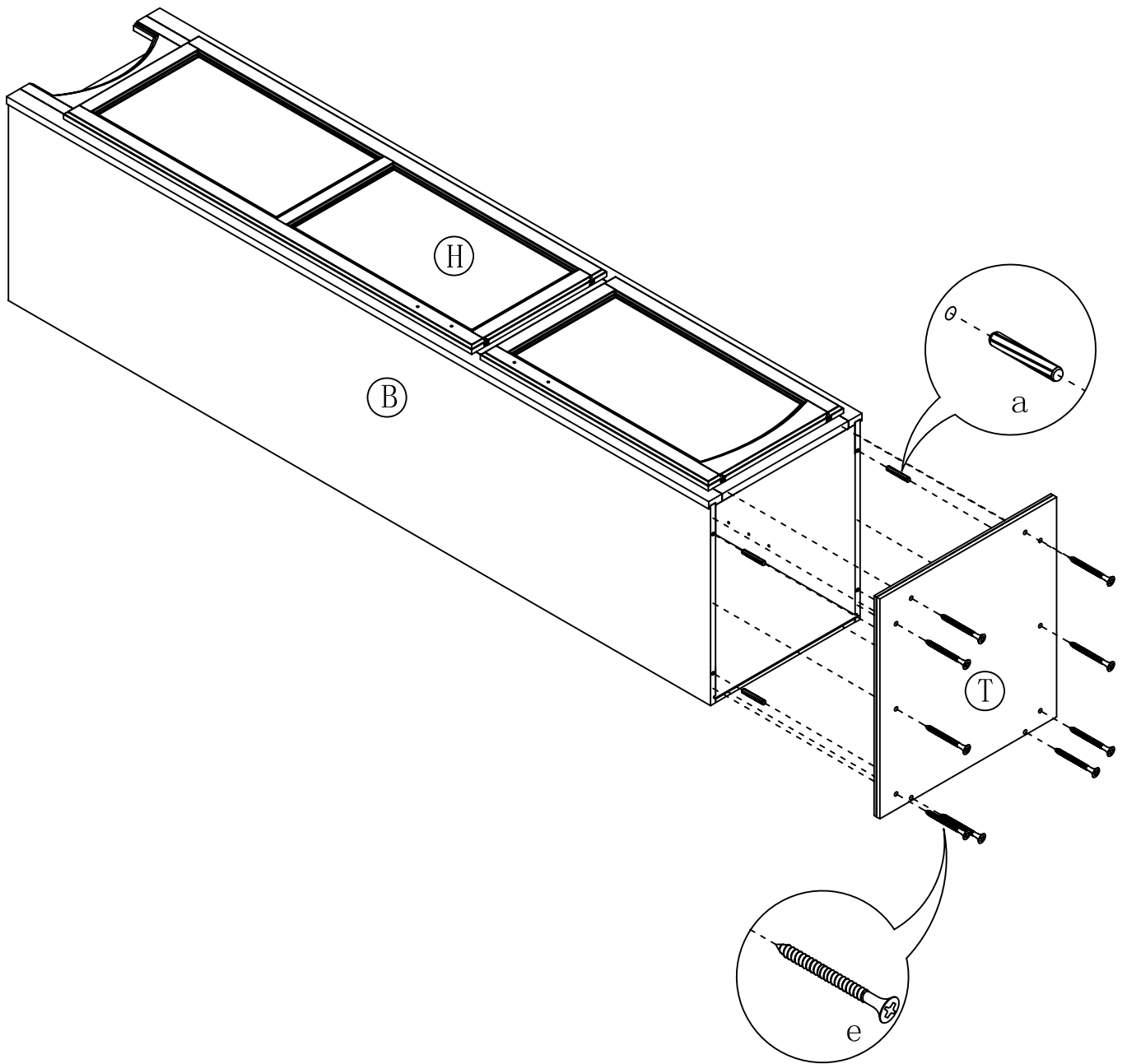


# STEP 5

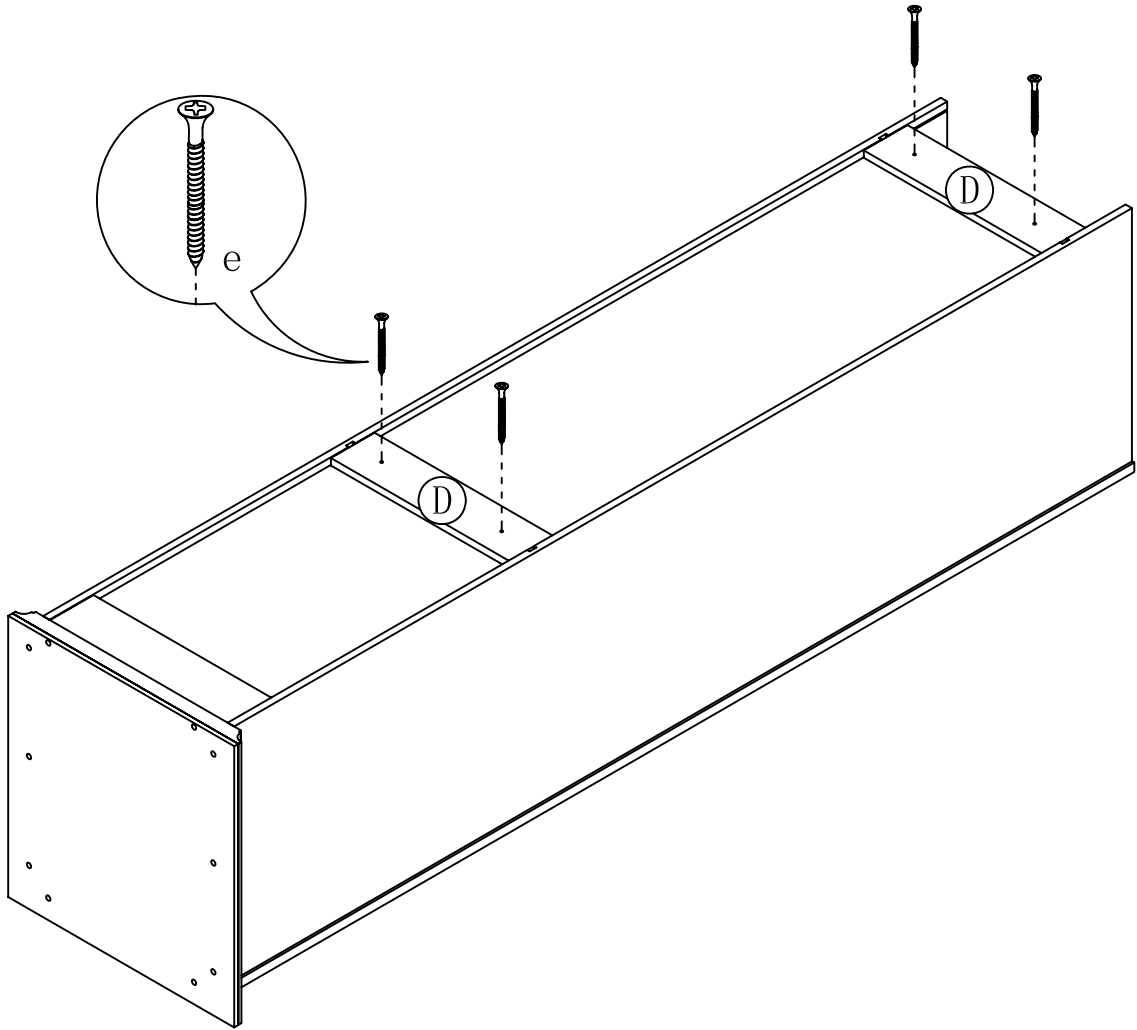




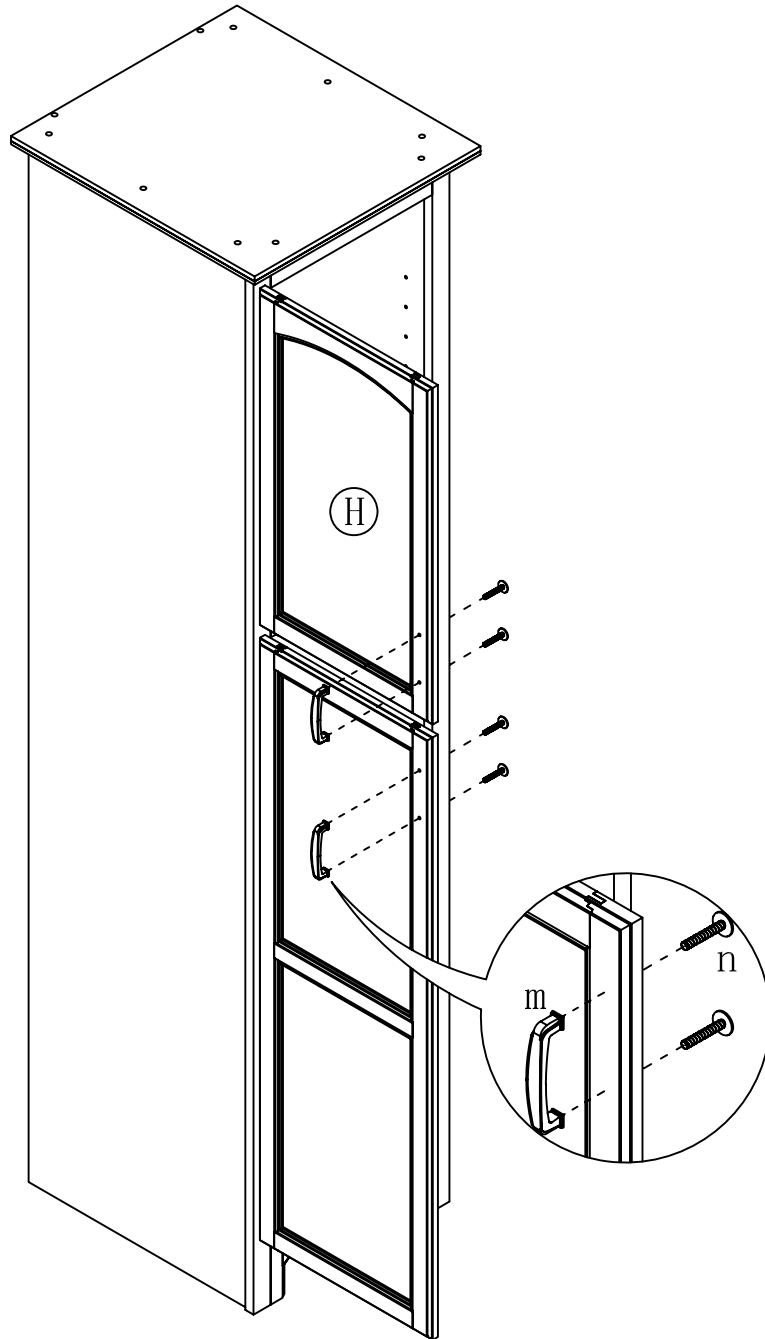
# STEP 6



# STEP 7



# STEP 8



# STEP 9

