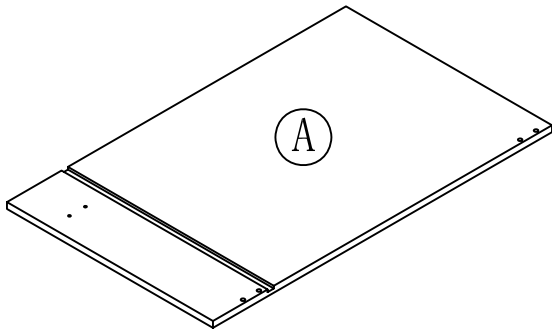


540815

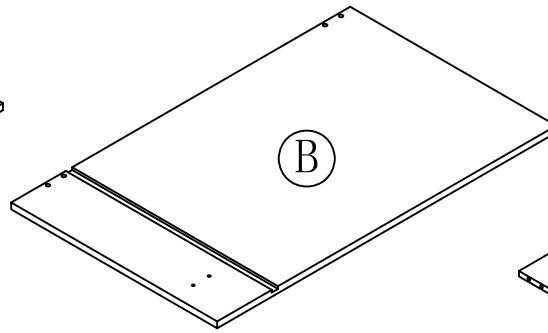
ASSEMBLY INSTRUCTIONS

DHI Corp. • 5205 W. Donges Bay Rd. • Mequon, WI 53092 • 800.558.8700

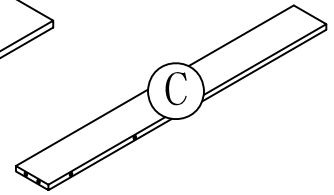
PARTS LIST:



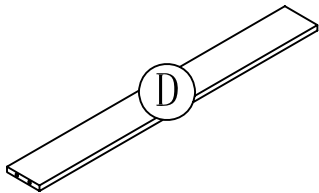
LEFT SIDE PANEL 1PC



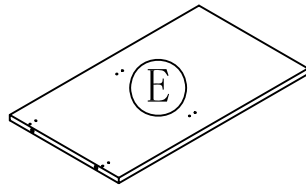
RIGHT SIDE PANEL 1PC



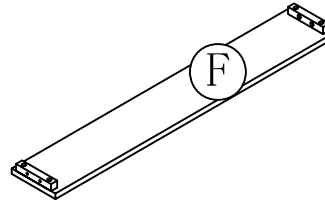
BACK UP CROSS
BRACE 1PC



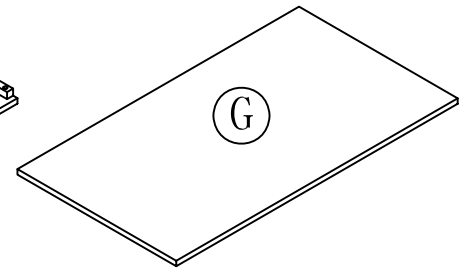
BACK DOWN CROSS
BRACE 1PC



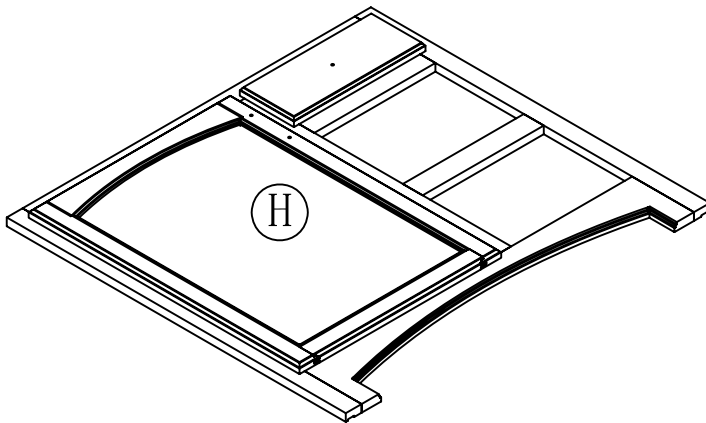
BACK PARTITION
PANEL 1PC



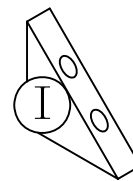
TOE KICK PANEL 1PC



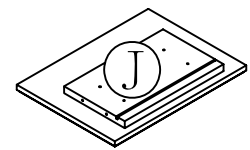
BOTTOM PANEL 1PC



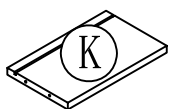
FRONT FRAME 1PC



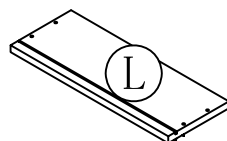
STRENGTH BLOCK 8PCS



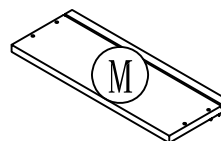
DRAWER FRONT
PANEL 2PCS



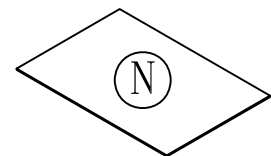
DRAWER BACK
PANEL 2PCS



DRAWER LEFT SIDE
PANEL 2PCS



DRAWER RIGHT SIDE
PANEL 2PCS



DRAWER BOTTOM
PANEL 2PCS

HARDWARE LIST:



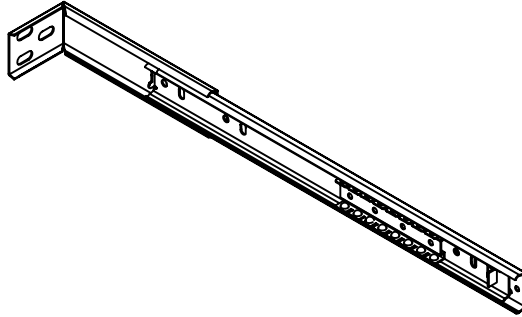
a. WOOD DOWEL 12PCS



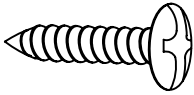
d. 1" L FLAT HEAD
SCREW 20PCS



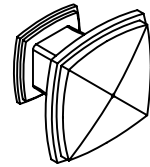
e. 1-1/2" L FLAT HEAD
SCREW 16PCS



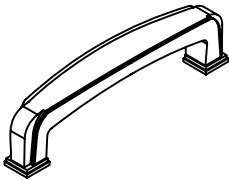
i. DRAWER GUIDE 4PCS



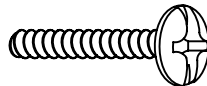
g. 1/2" ROUND HEAD
SCREW 16PCS



l. KNOB 3PCS



m. HANDLE 1PC

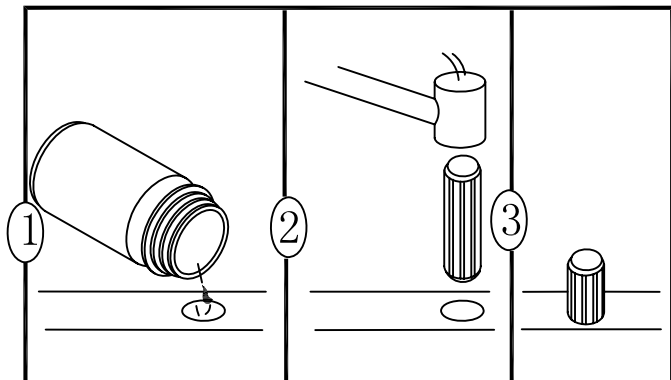
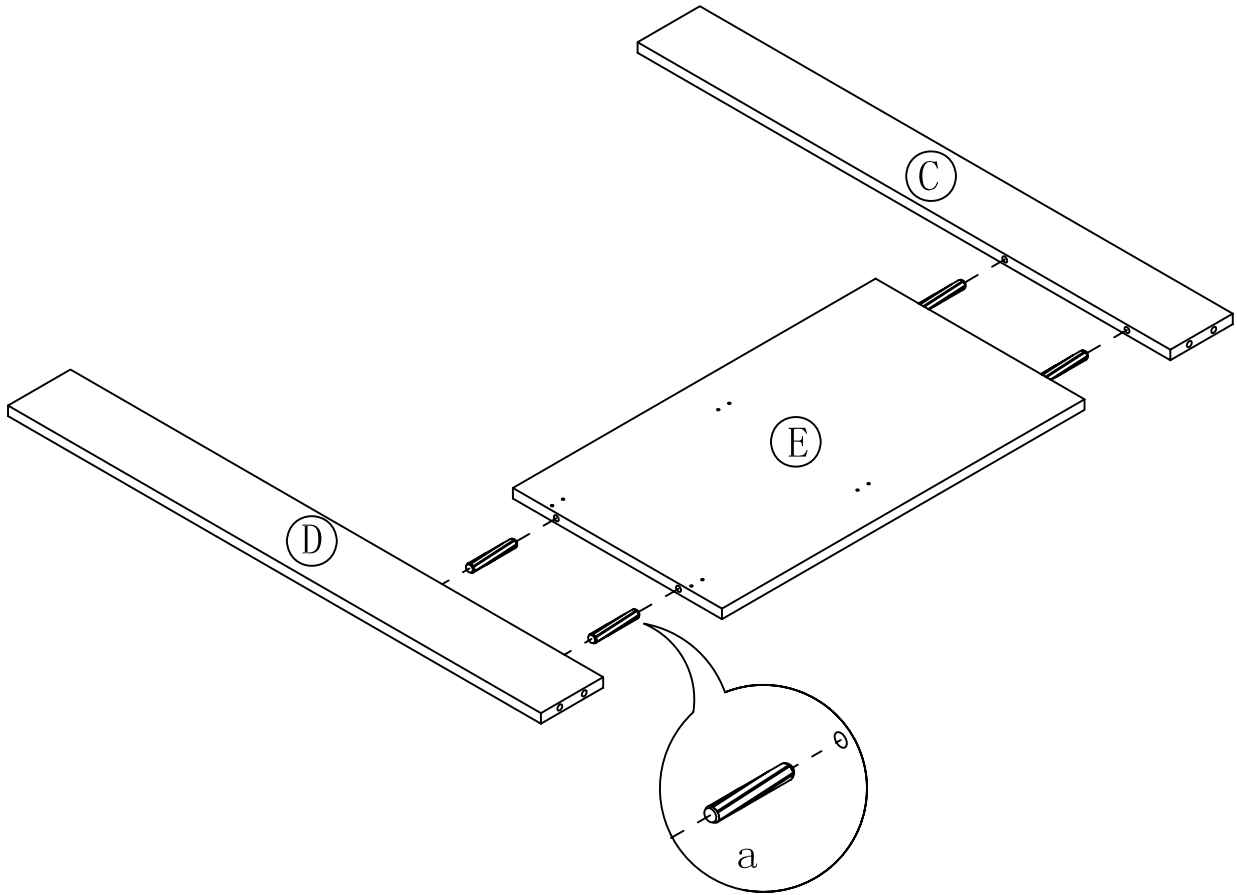


n. HANDLE (KNOB)
BOLT 5PCS

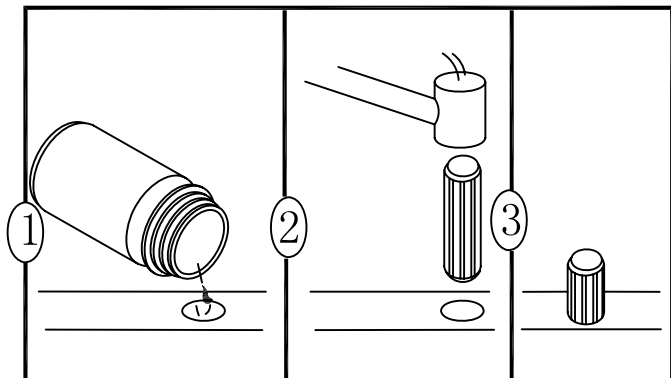
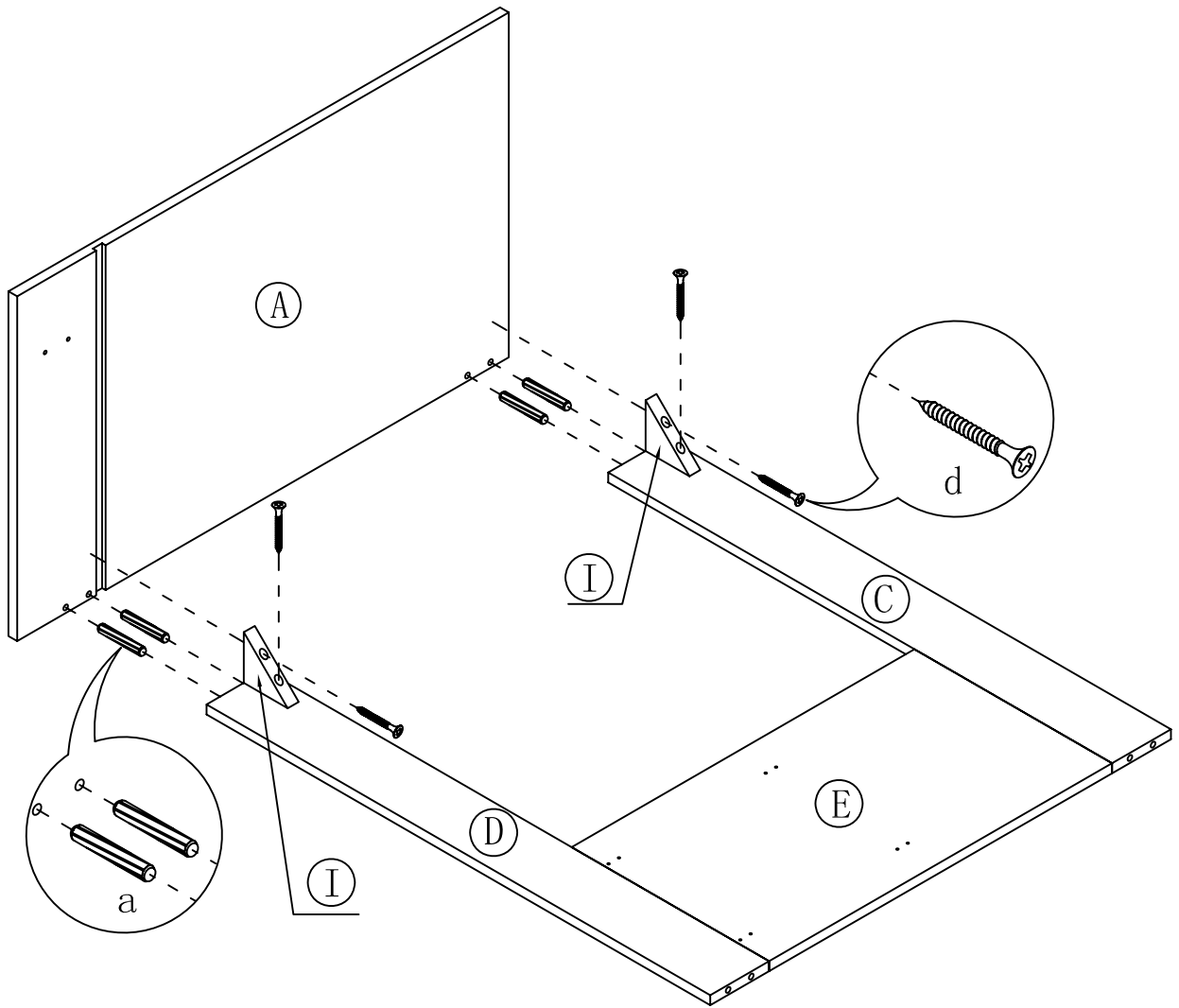


p. GLUE 1PC

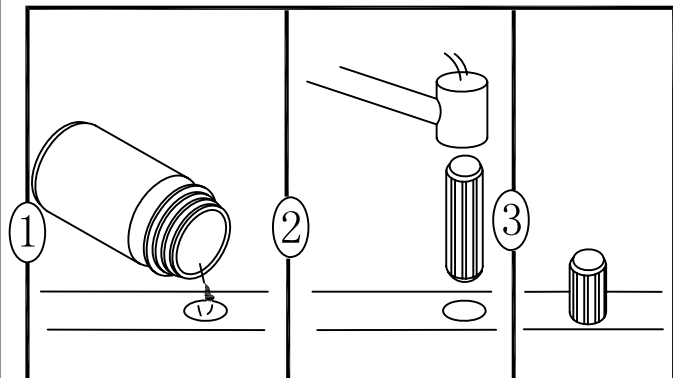
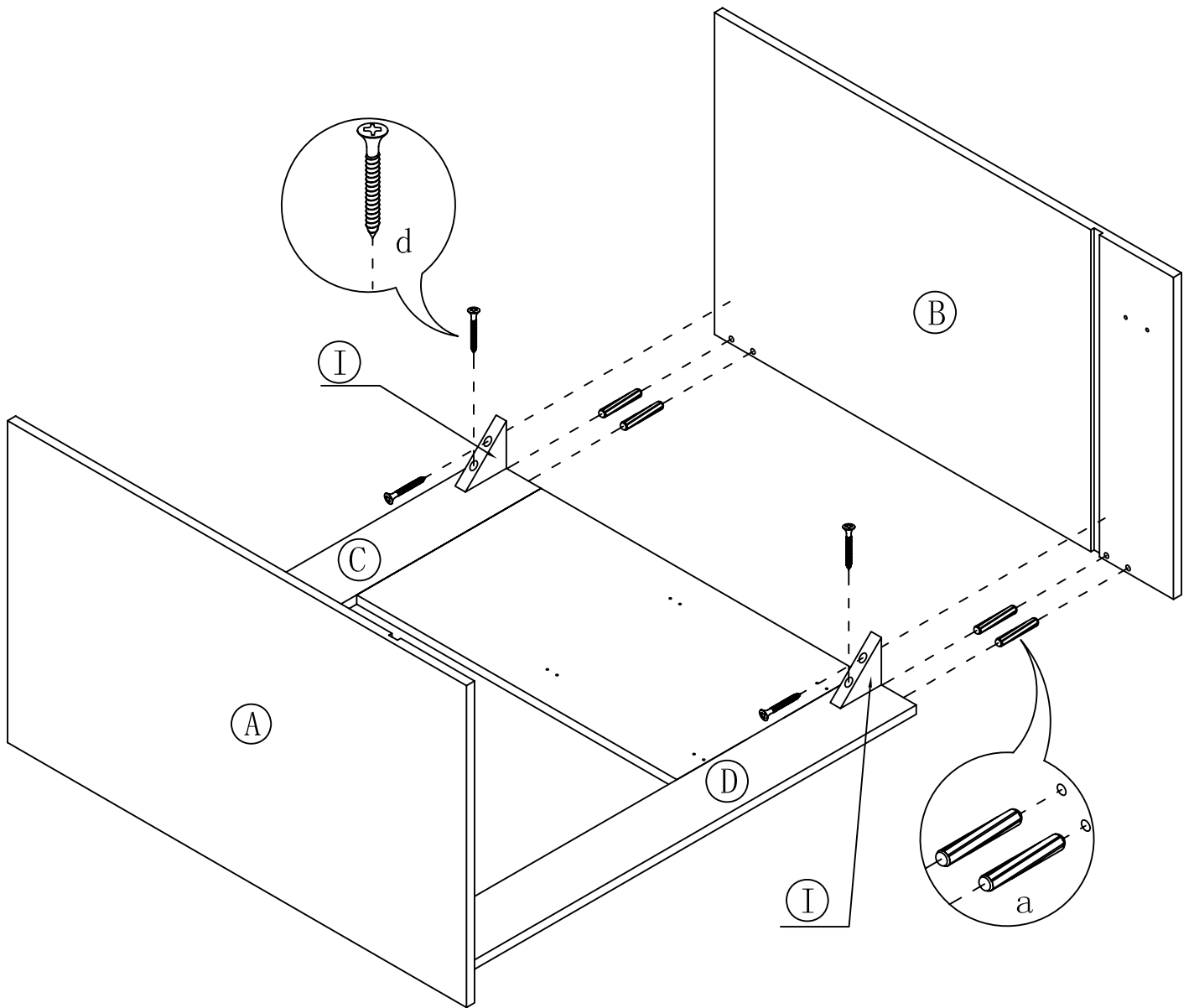
STEP 1



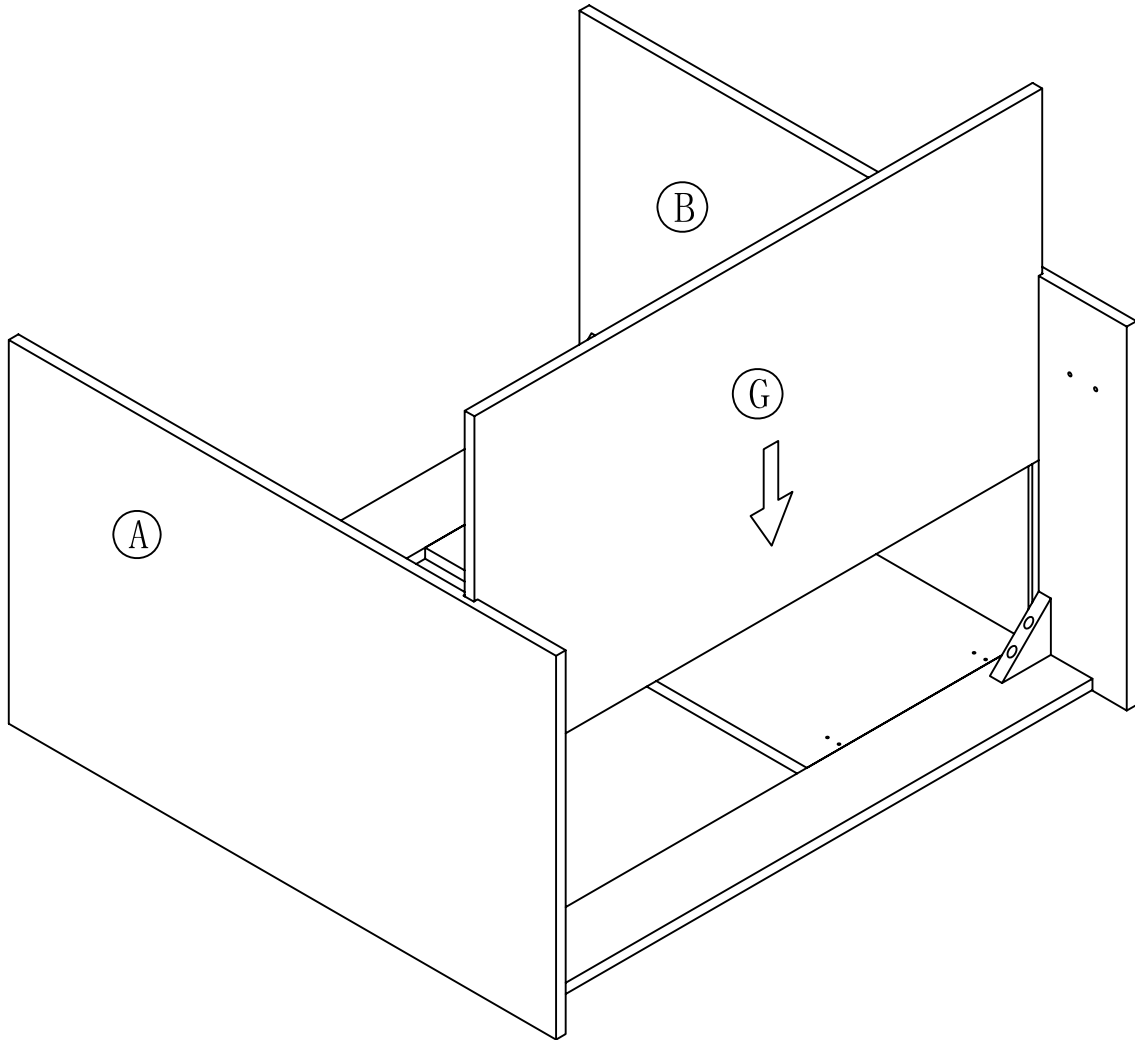
STEP 2



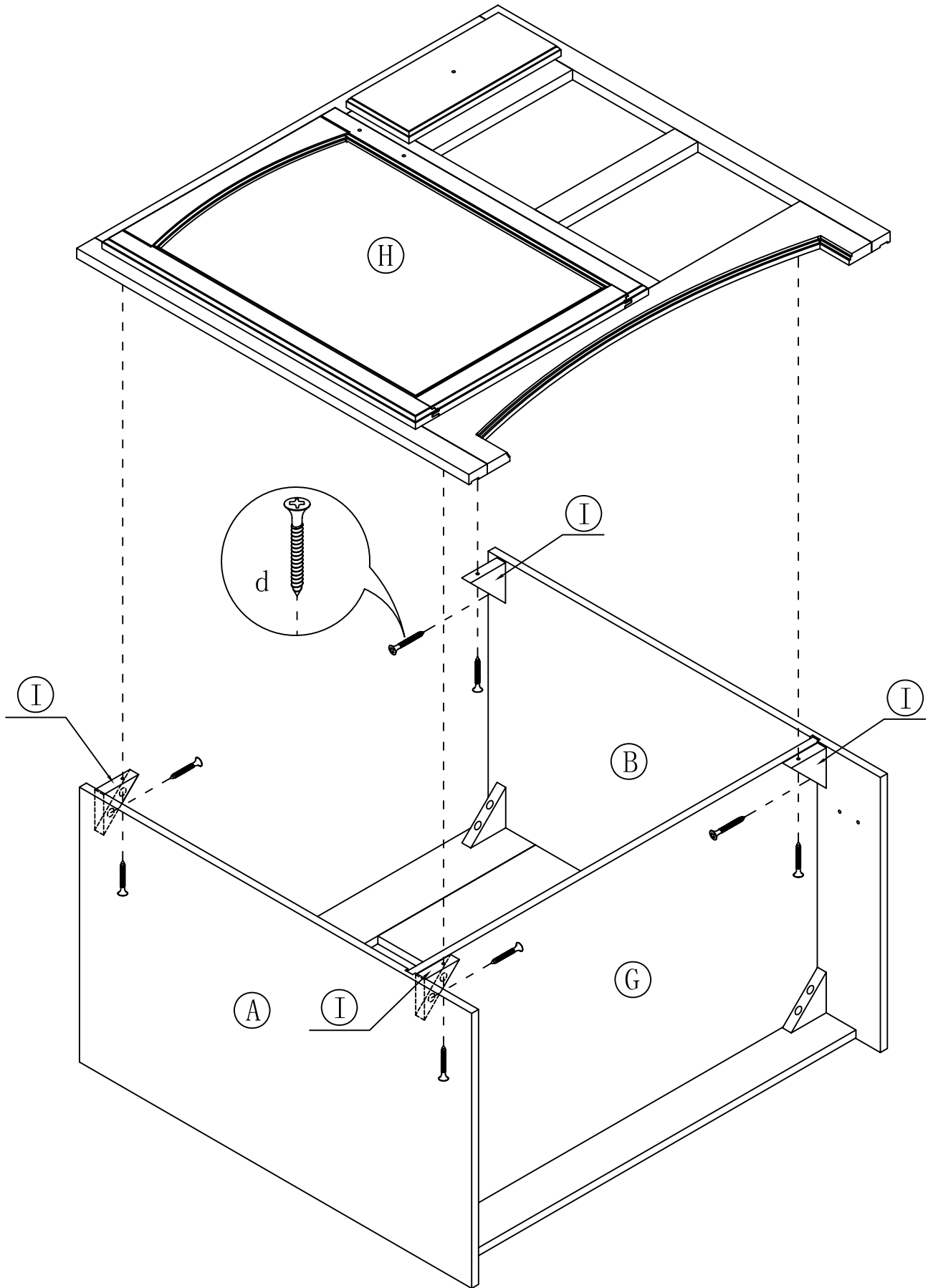
STEP 3



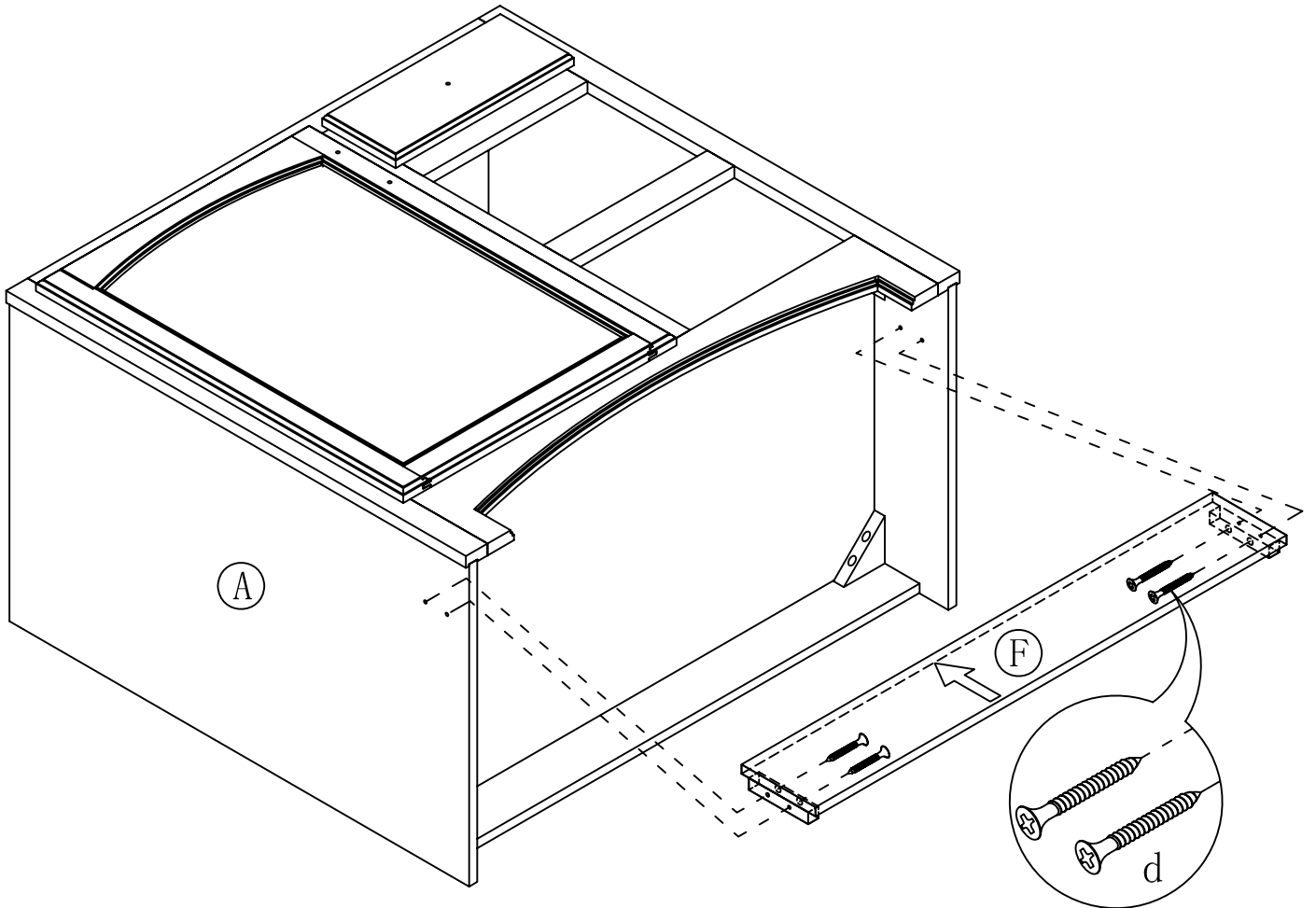
STEP 4



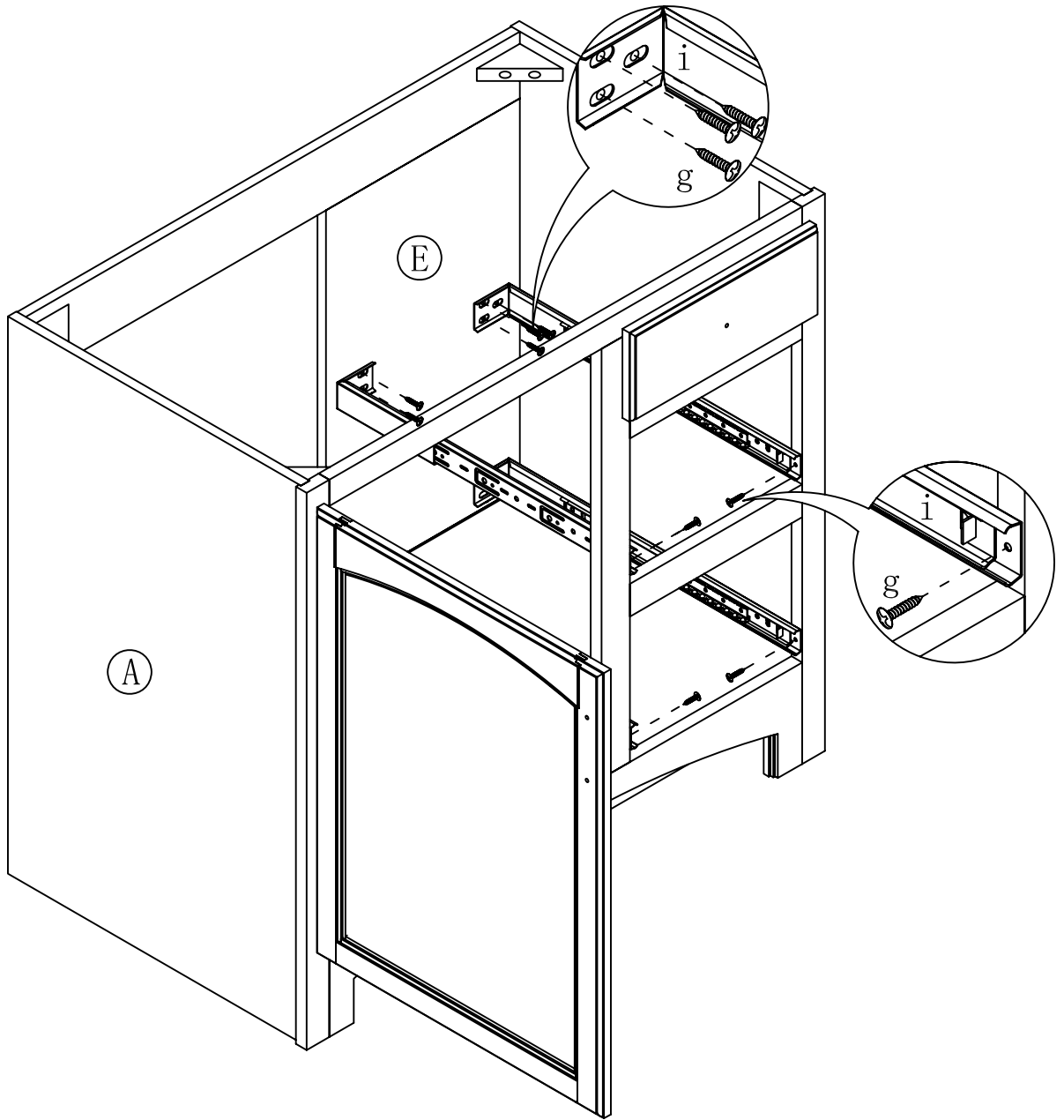
STEP 5



STEP 6



STEP 7



STEP 9

