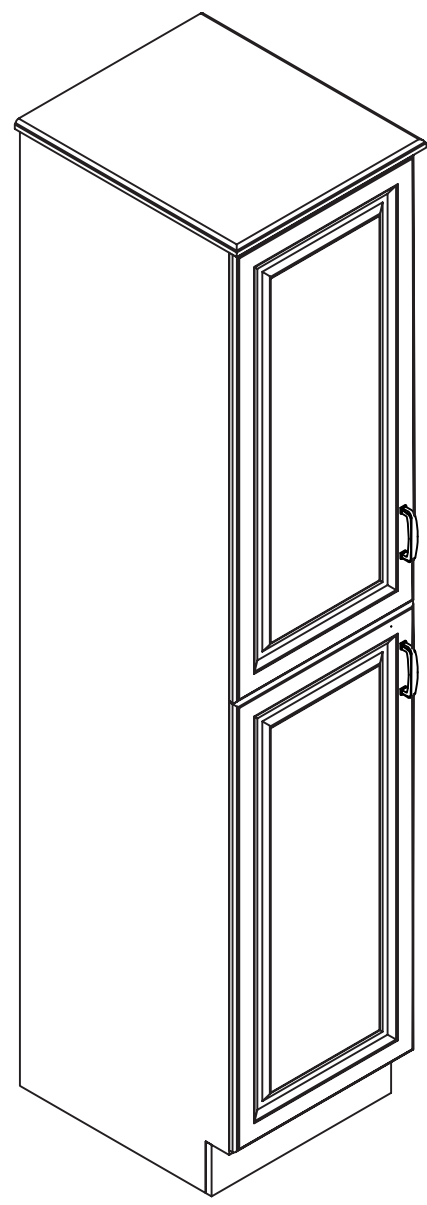




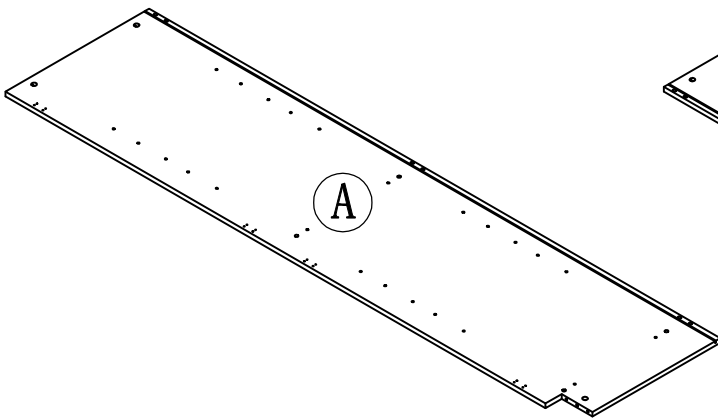
ADVANCED
GLOBAL COMMERCE



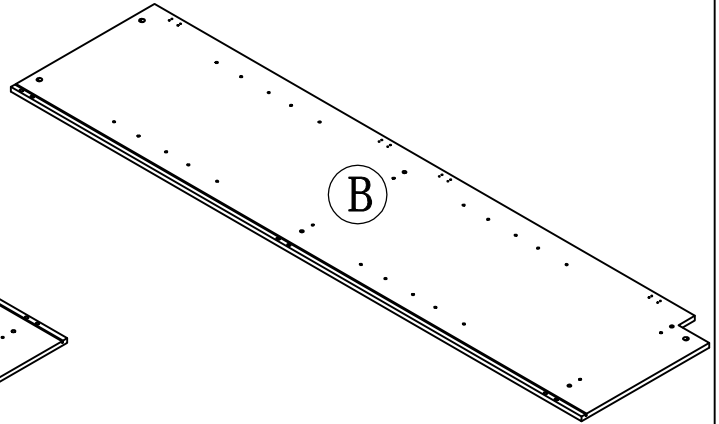
539700

ASSEMBLY INSTRUCTIONS

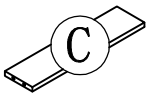
PARTS LIST:



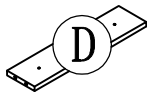
LEFT SIDE PANEL 1PC



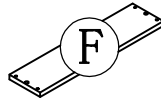
RIGHT SIDE PANEL 1PC



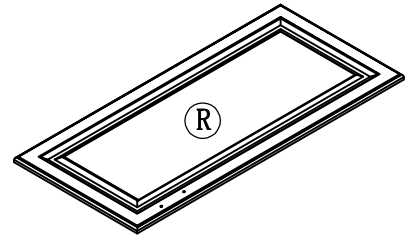
BACK UP CROSS
BRACE 1PC



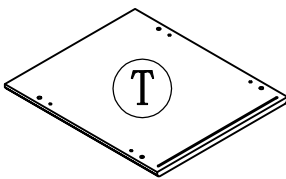
BACK DOWN CROSS
BRACE 2PCS



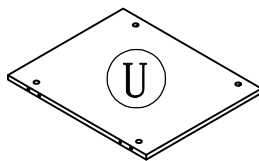
TOE KICK PANEL 1PC



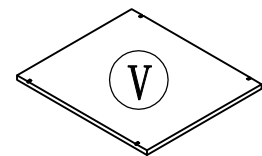
DOOR1 1PC



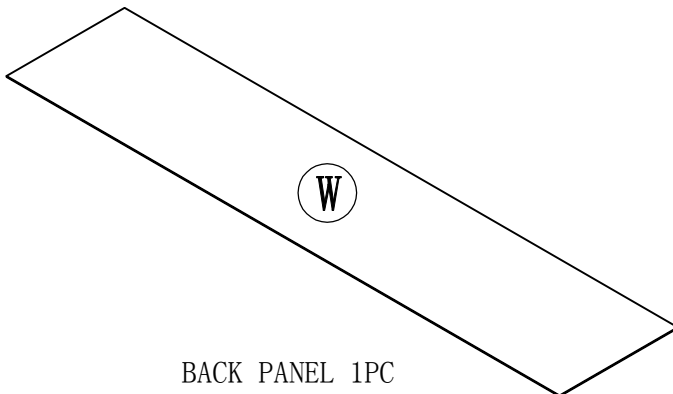
TOP PANEL 1PC



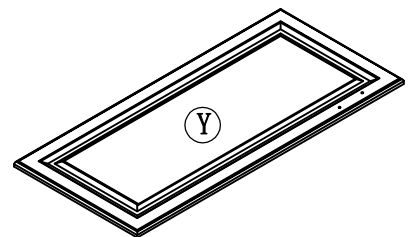
FIXED PANEL 2PCS



ADJUSTABLE PANEL 2PCS



BACK PANEL 1PC

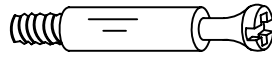


DOOR2 1PC

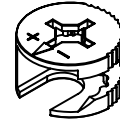
HARDWARE LIST:



a. WOOD DOWEL 16PCS



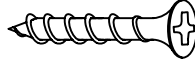
b. CAM LOCK SCREW
26PCS



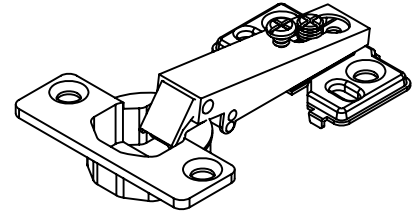
c. CAM LOCK 26PCS



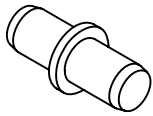
e. 1-1/2" L WOOD
SCREW 4PCS



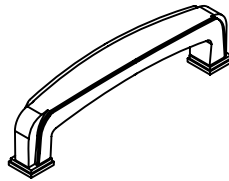
f. 5/8" L FLAT HEAD
SCREW 24PCS



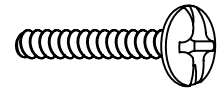
h. HINGE 4PCS



k. PIN 8PCS



l. HANDLE 2PCS



n. HANDLE BOLT 4PCS

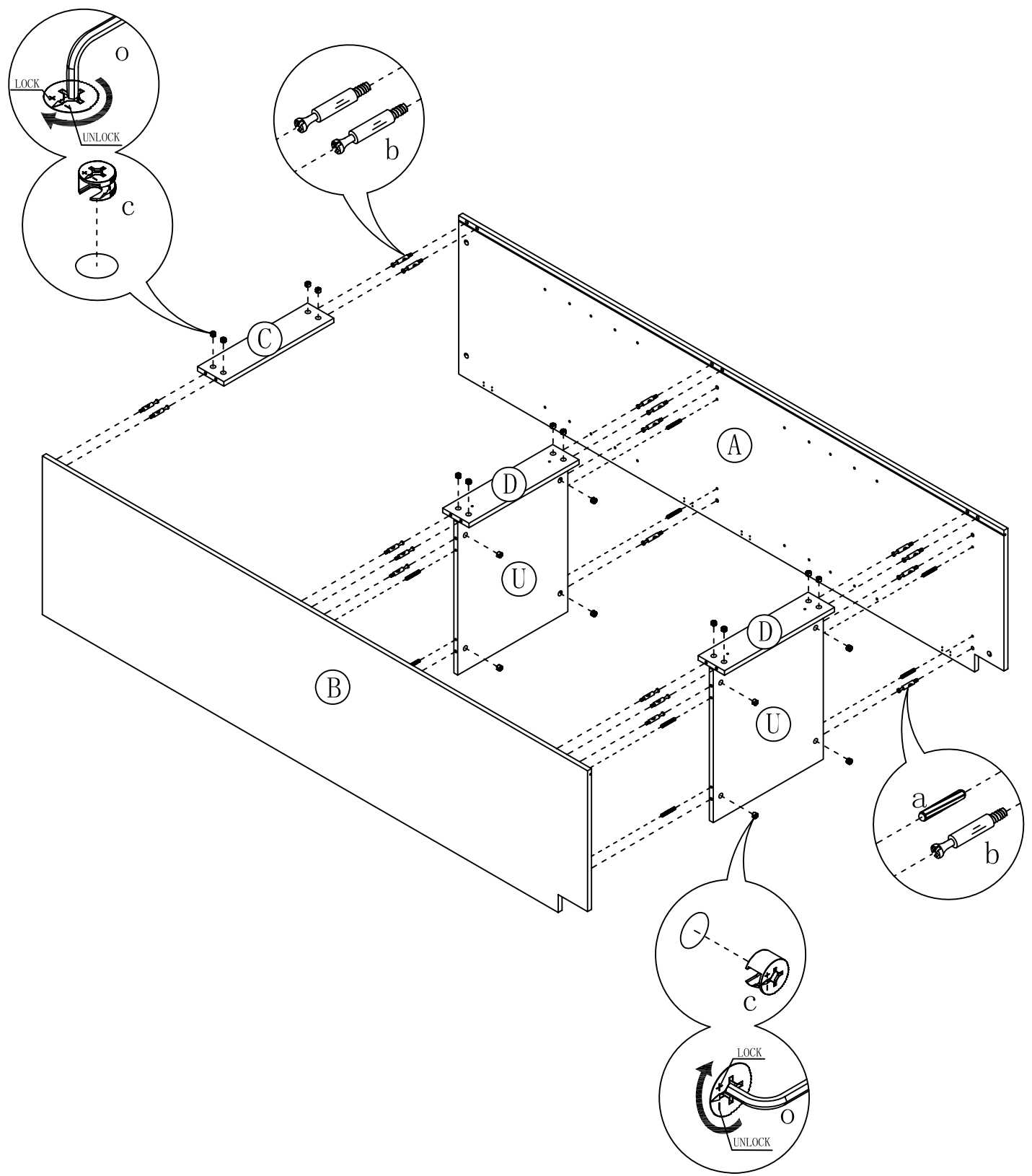


o. WRENCH 1PC

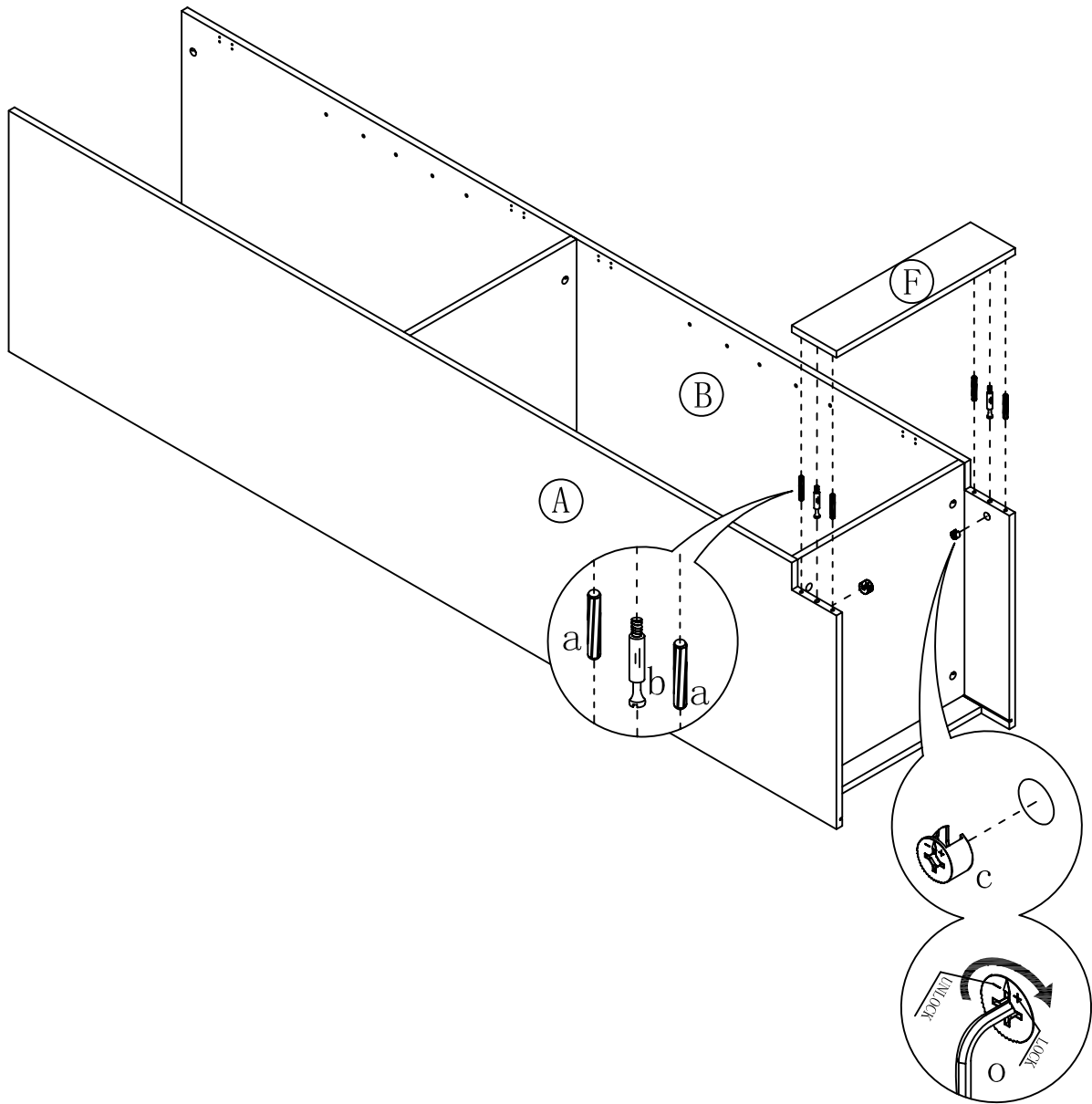


p. GLUE 1PC

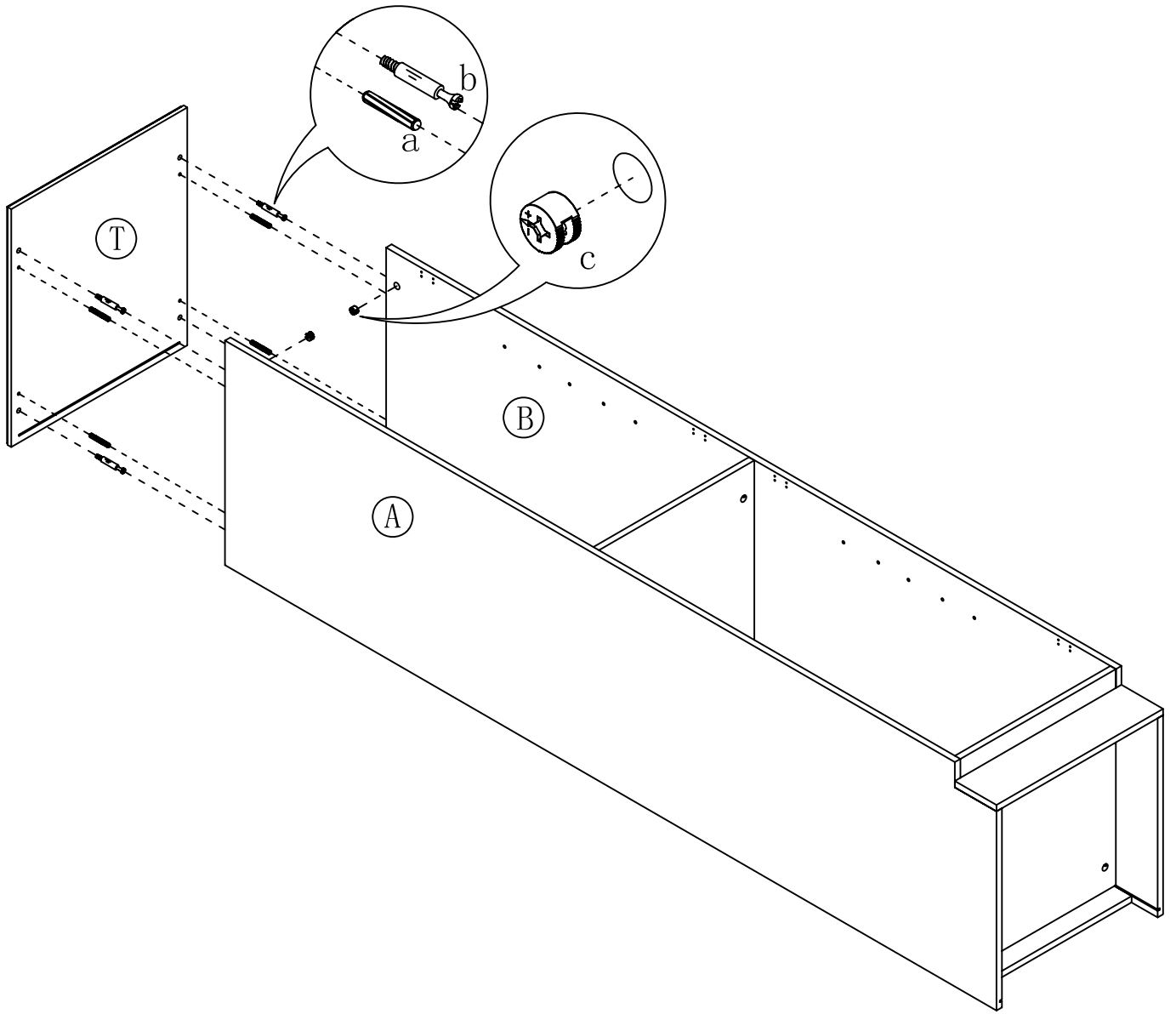
STEP 1



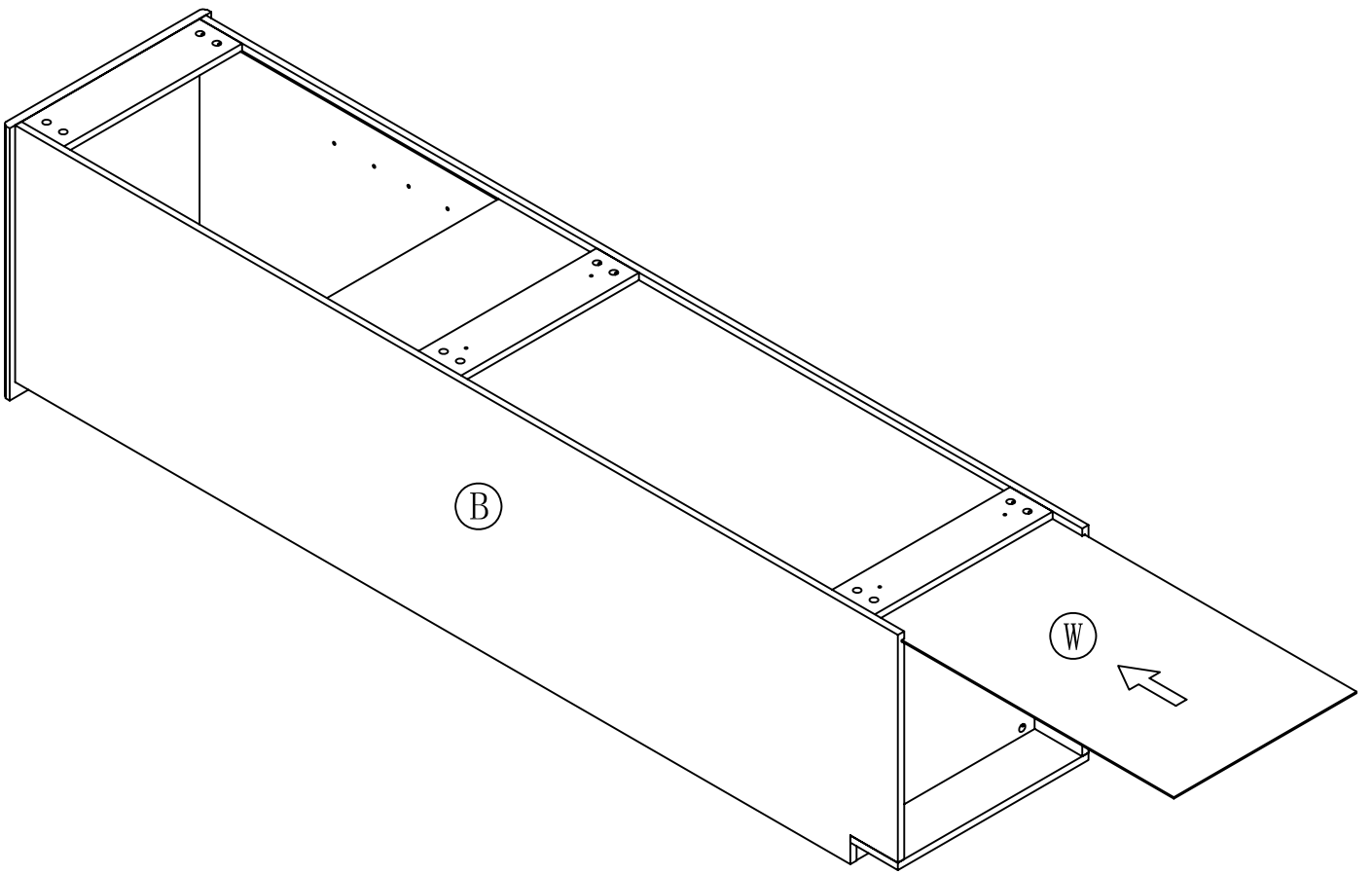
STEP 2



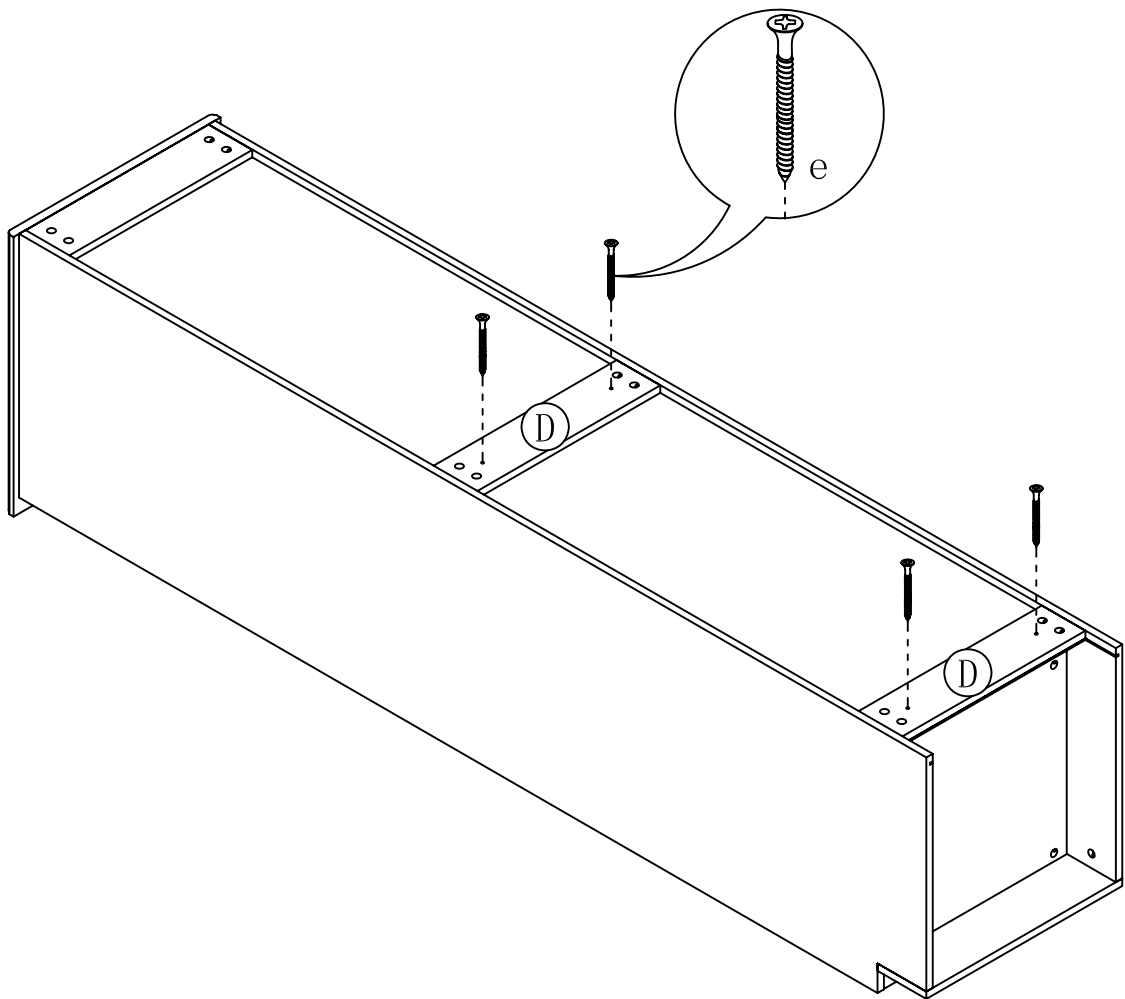
STEP 3



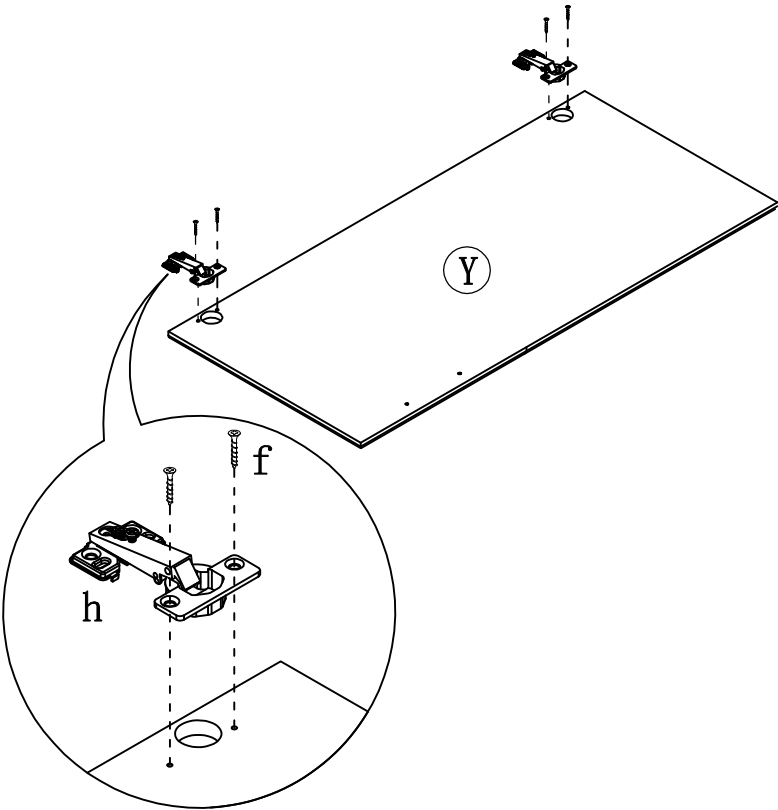
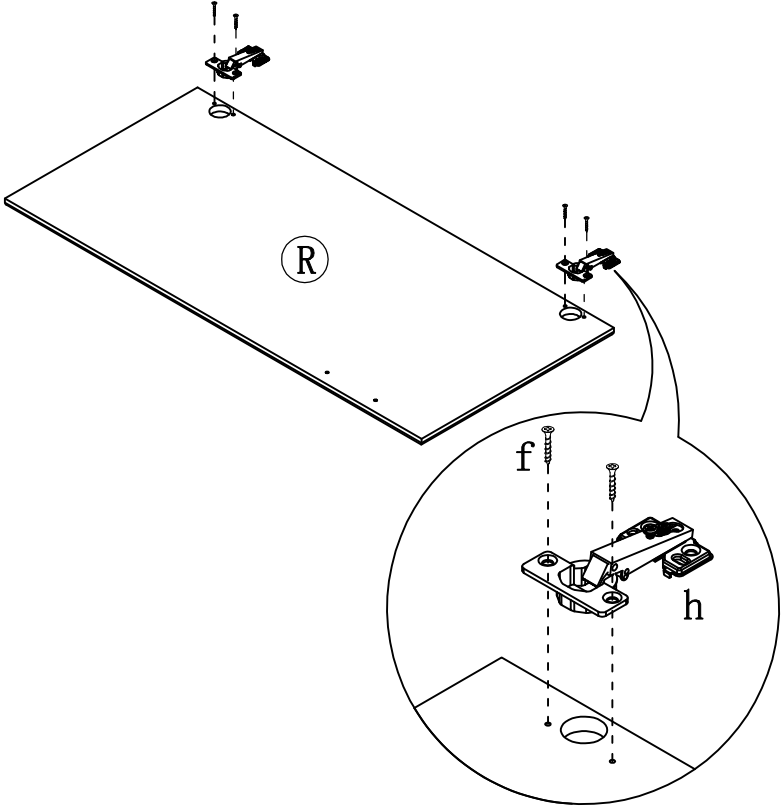
STEP 4



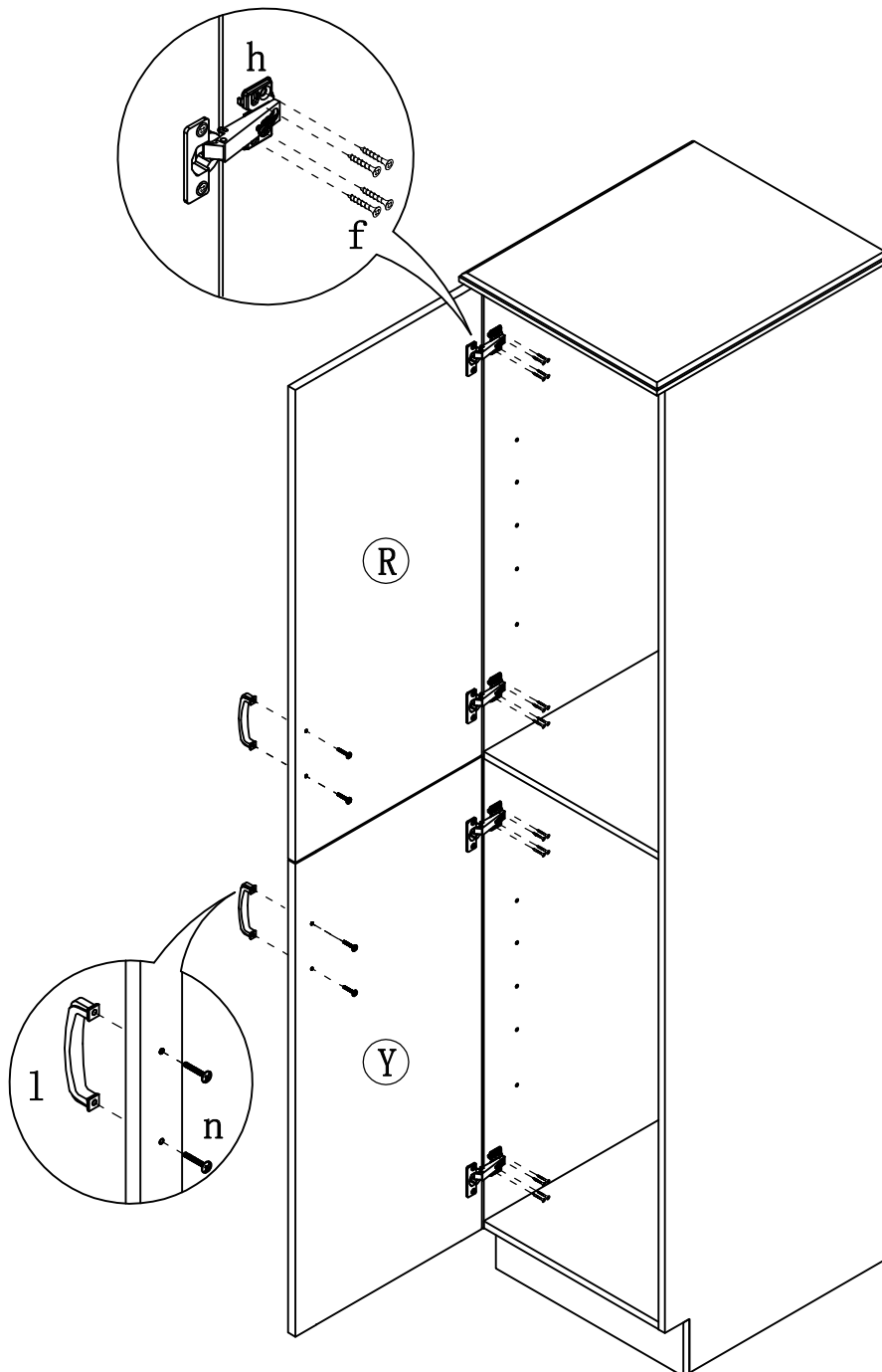
STEP 5



STEP 6

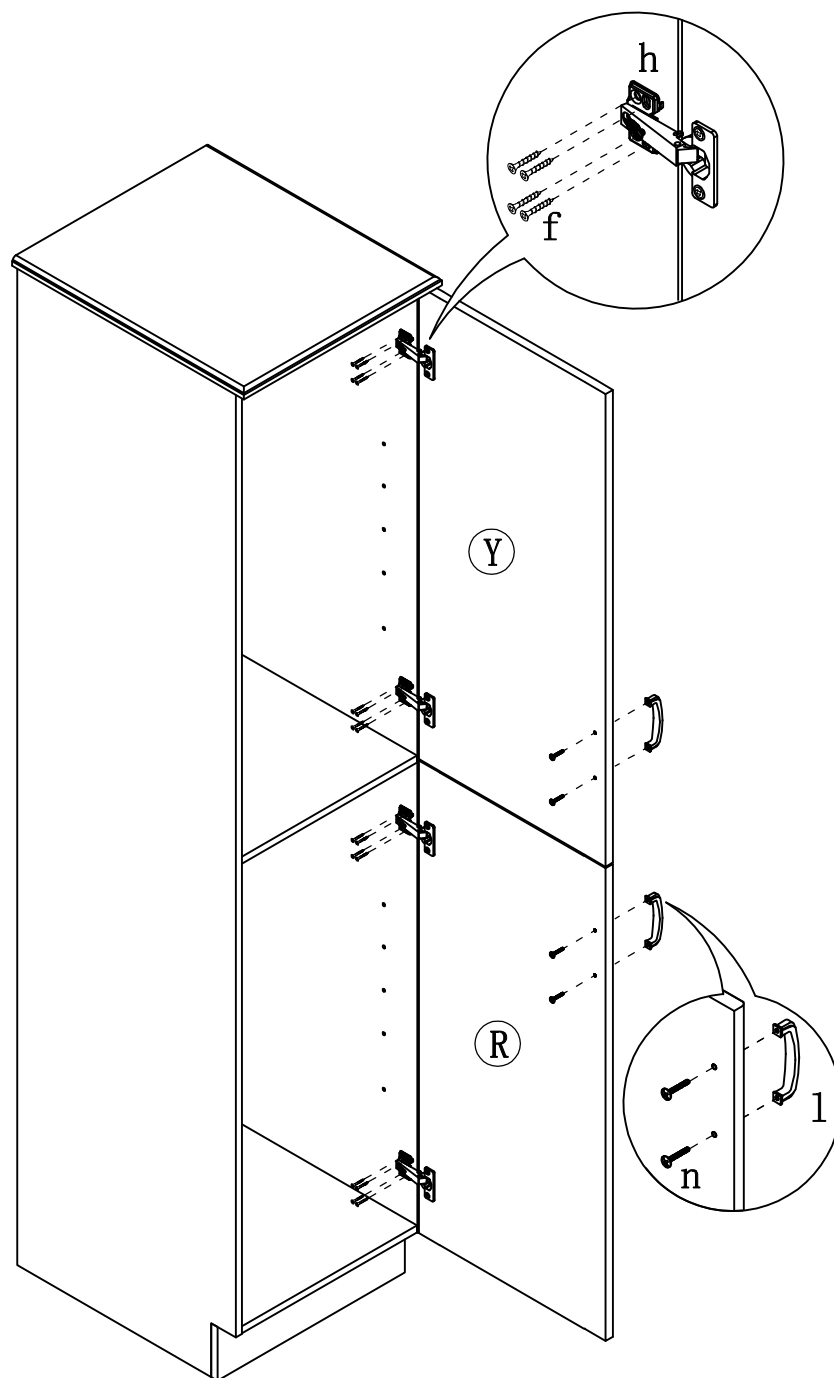


STEP 7



PLEASE FOLLOW STEP7 IF YOU
WOULD LIKE THE DOOR OPEN
FROM THE LEFT

STEP 8



PLEASE FOLLOW STEP8 IF YOU
WOULD LIKE THE DOOR OPEN
FROM THE RIGHT

STEP 9

