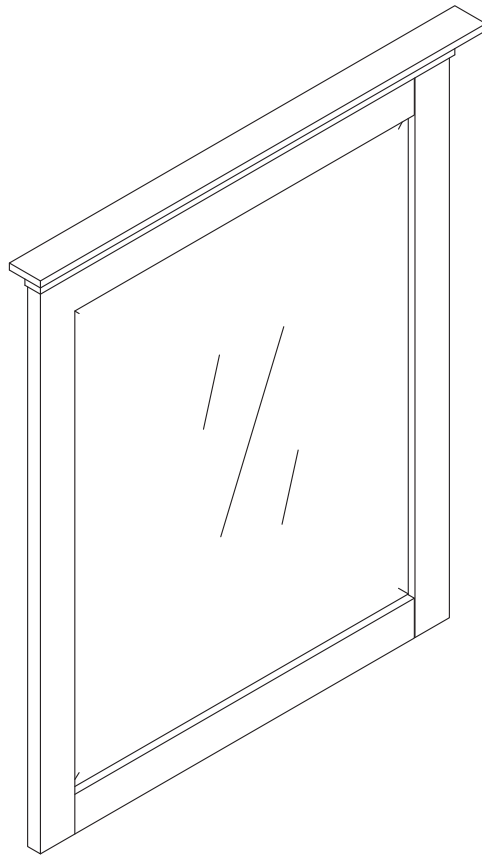




ADVANCED

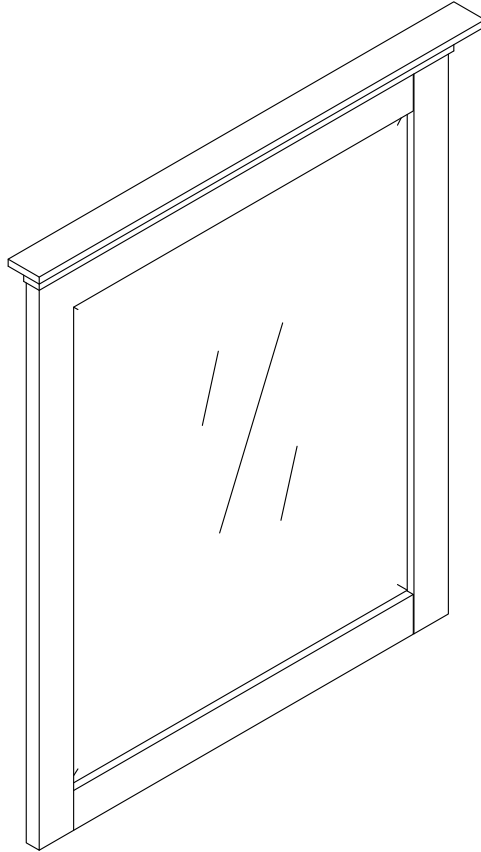
GLOBAL COMMERCE



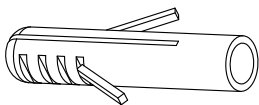
539692

ASSEMBLY INSTRUCTIONS

PARTS LIST:



HARDWARE LIST:



a. WALL ANCHOR 2PCS



b. 1-1/2" L FLAT
HEAD SCREW 2PCS

STEP 1

