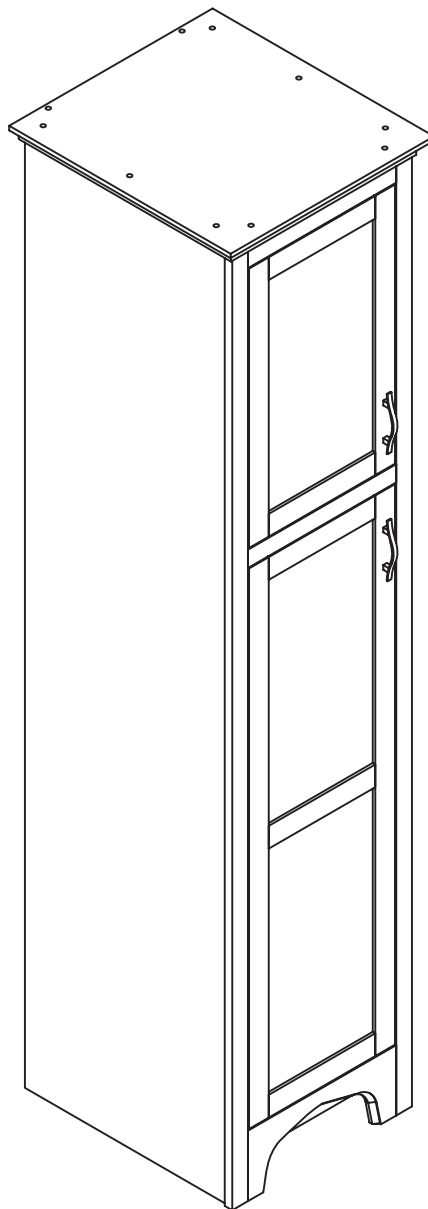




**ADVANCED**  
GLOBAL COMMERCE

---

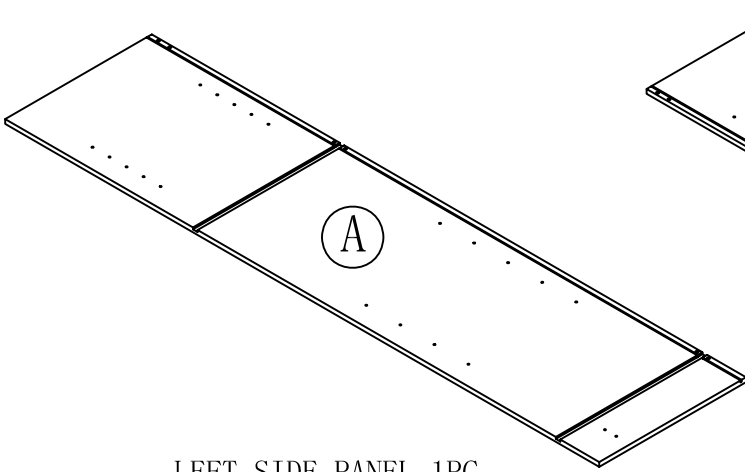


540682

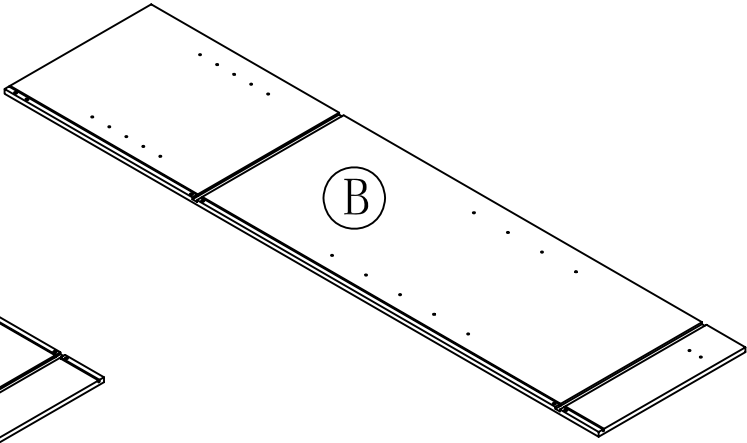
# ASSEMBLY INSTRUCTIONS

---

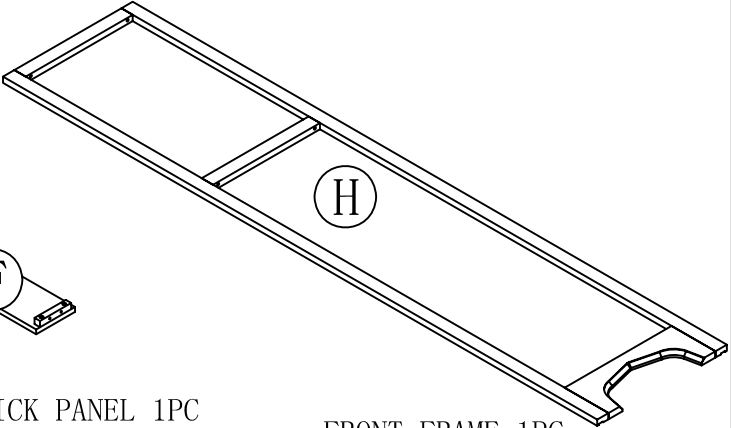
# PARTS LIST:



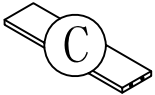
LEFT SIDE PANEL 1PC



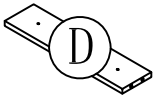
RIGHT SIDE PANEL 1PC



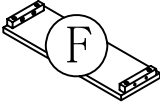
FRONT FRAME 1PC



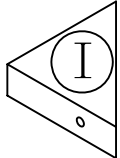
BACK UP CROSS BRACE 1PC



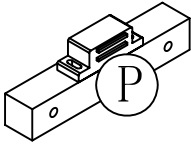
BACK DOWN CROSS BRACE 2PCS



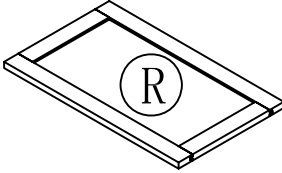
TOE KICK PANEL 1PC



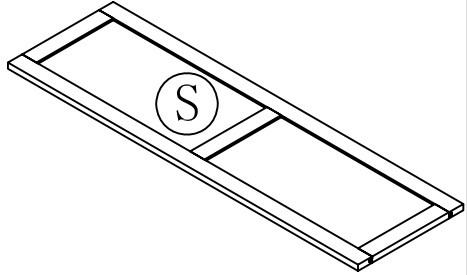
STRENGTH BLOCK 8PCS



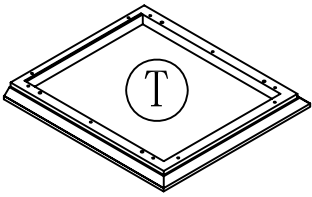
MAGNET 3PCS



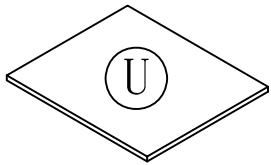
SMALL DOOR 1PC



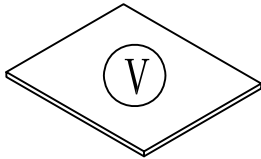
LARGE DOOR 1PC



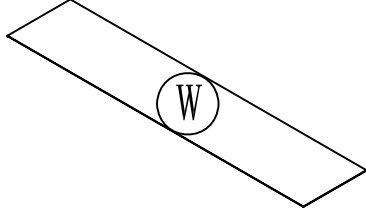
TOP PANEL 1PC



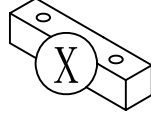
FIXED PANEL 2PCS



ADJUSTABLE PANEL 2PCS

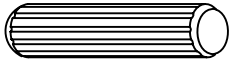


BACK PANEL 1PC



STOPPER 1PC

# HARDWARE LIST:



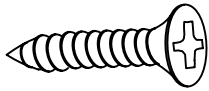
a. WOOD DOWEL 16PCS



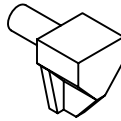
d. 1" L FLAT HEAD SCREW 28PCS



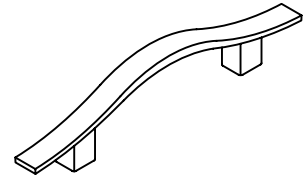
e. 1-1/2" L FLAT HEAD SCREW 14PCS



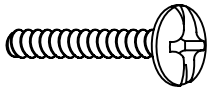
g. 1/2" L FLAT HEAD SCREW (FOR HINGE) 8PCS



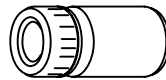
k. PIN 8PCS



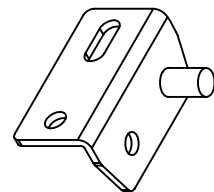
m. HANDLE 2PCS



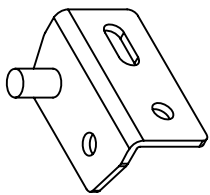
n. HANDLE BOLT 4PCS



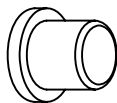
p. GLUE 1PC



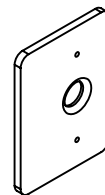
q. HINGE (1) 2PCS



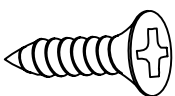
r. HINGE (2) 2PCS



s. PLASTIC PLUG 4PCS



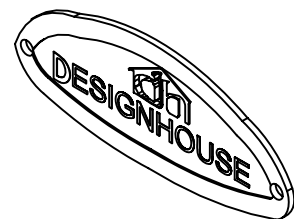
t. METAL PLATE 3PCS



u. 3/8" L FLAT HEAD SCREW 3PCS

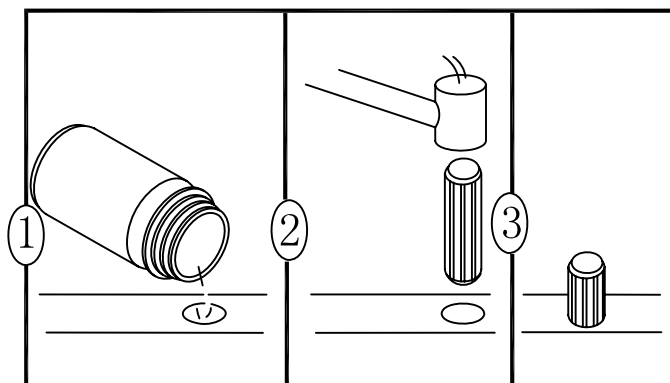
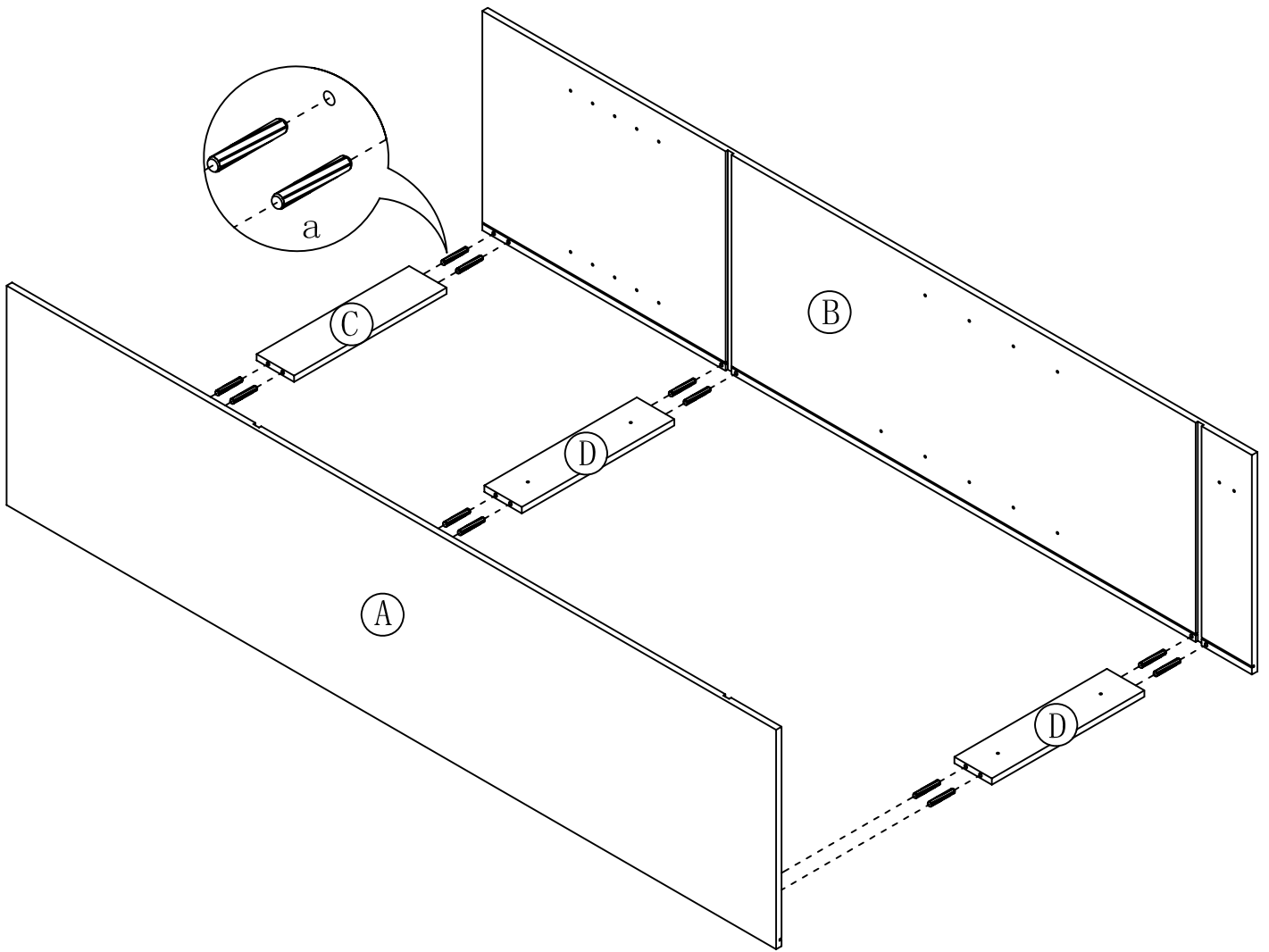


v. SMALL SCREW (FOR LOGO) 2PCS

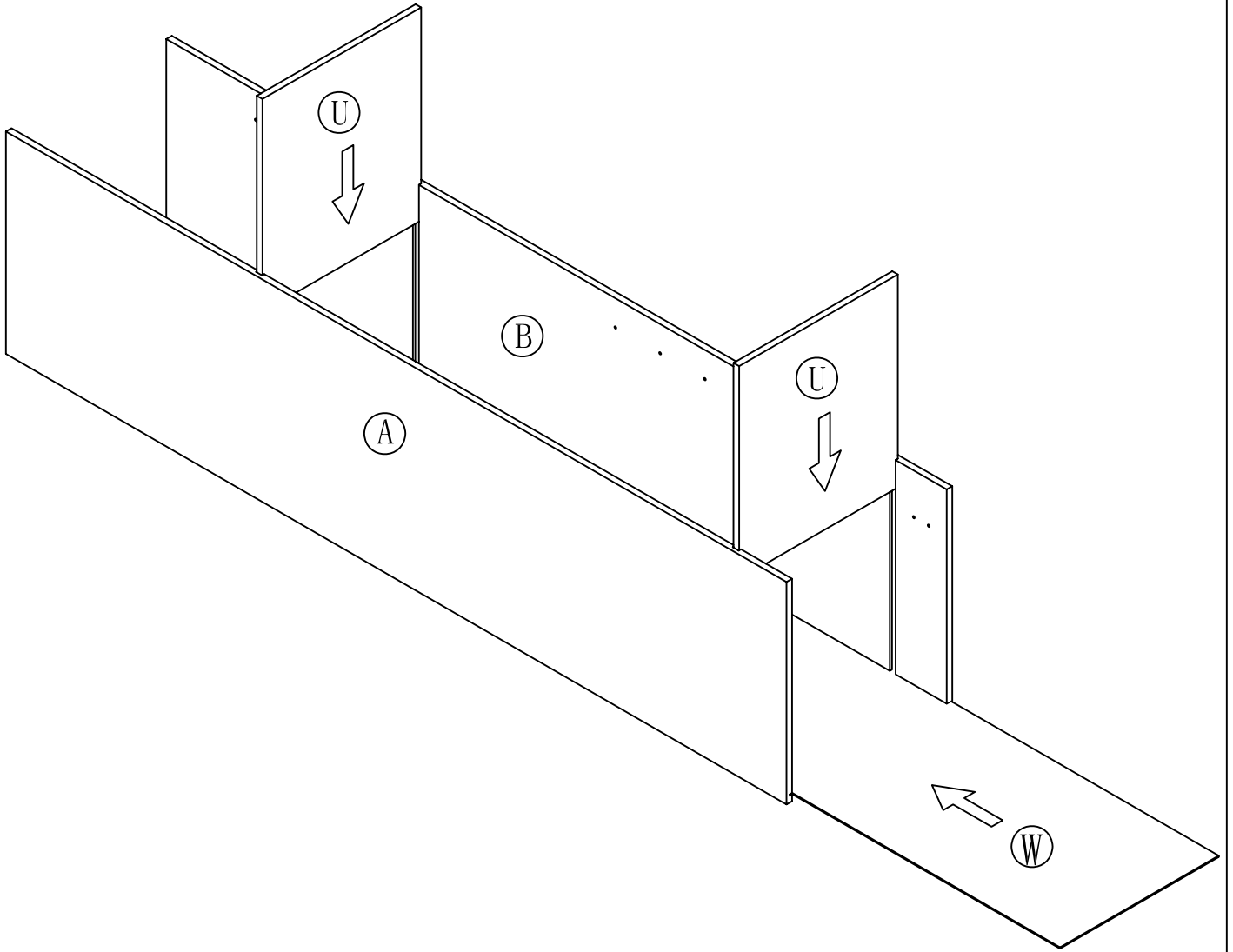


x. LOGO 1PC

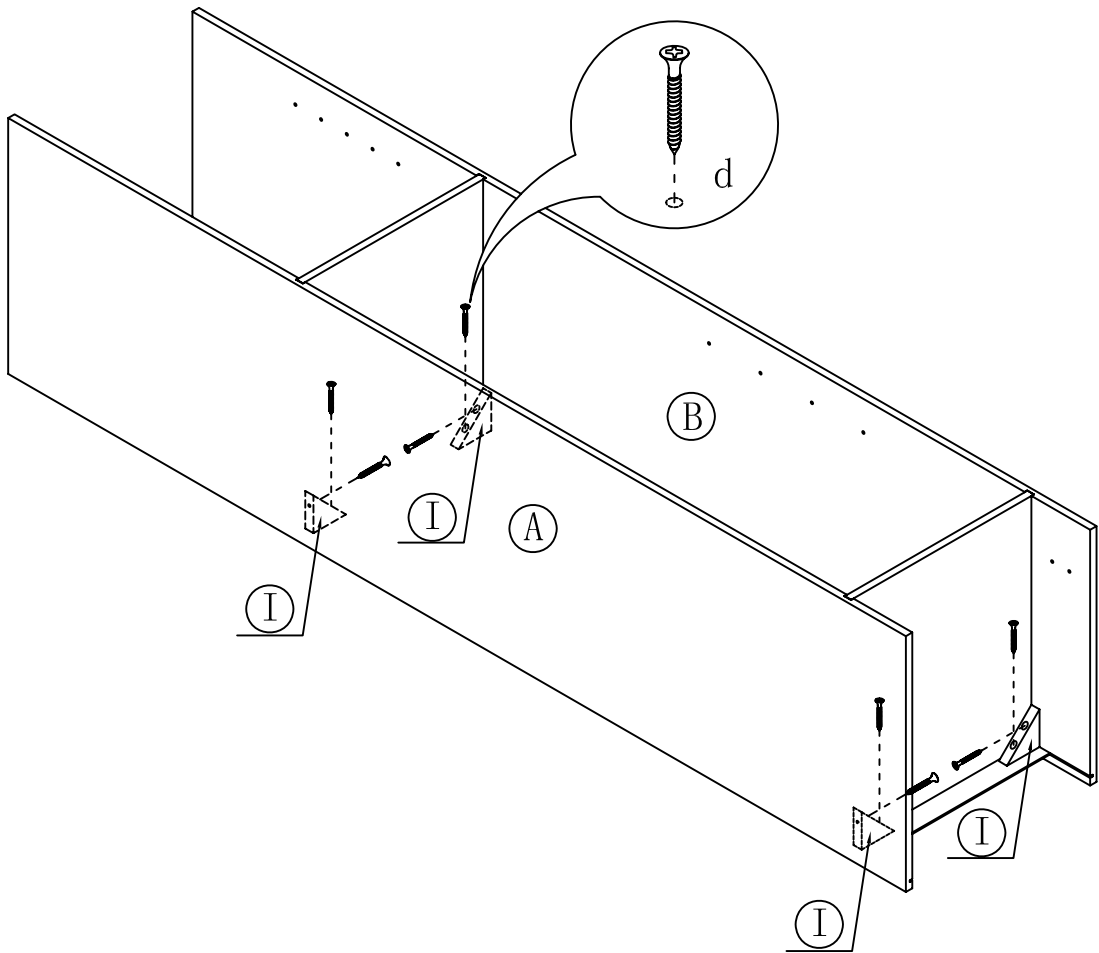
# STEP 1



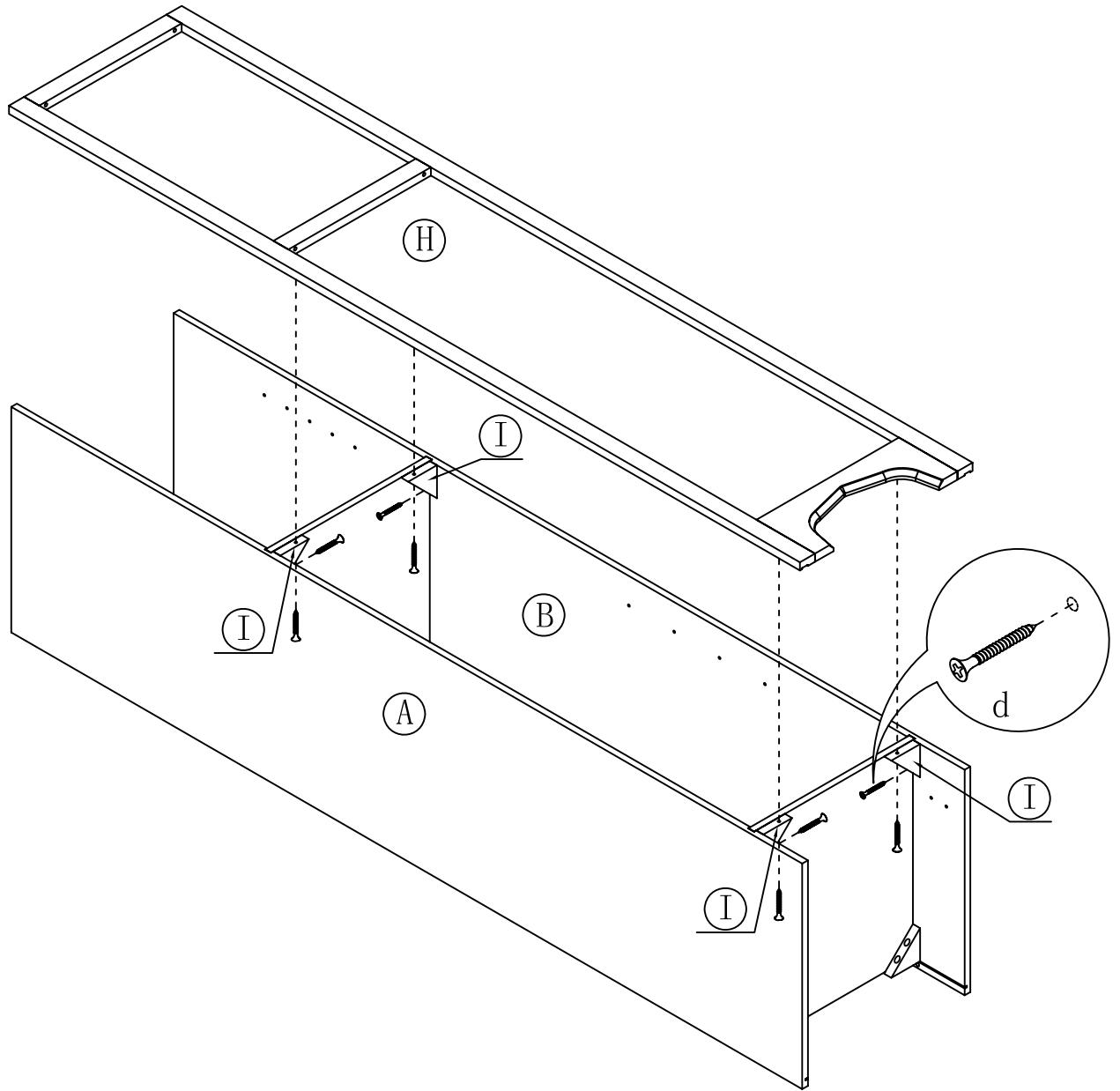
# STEP 2



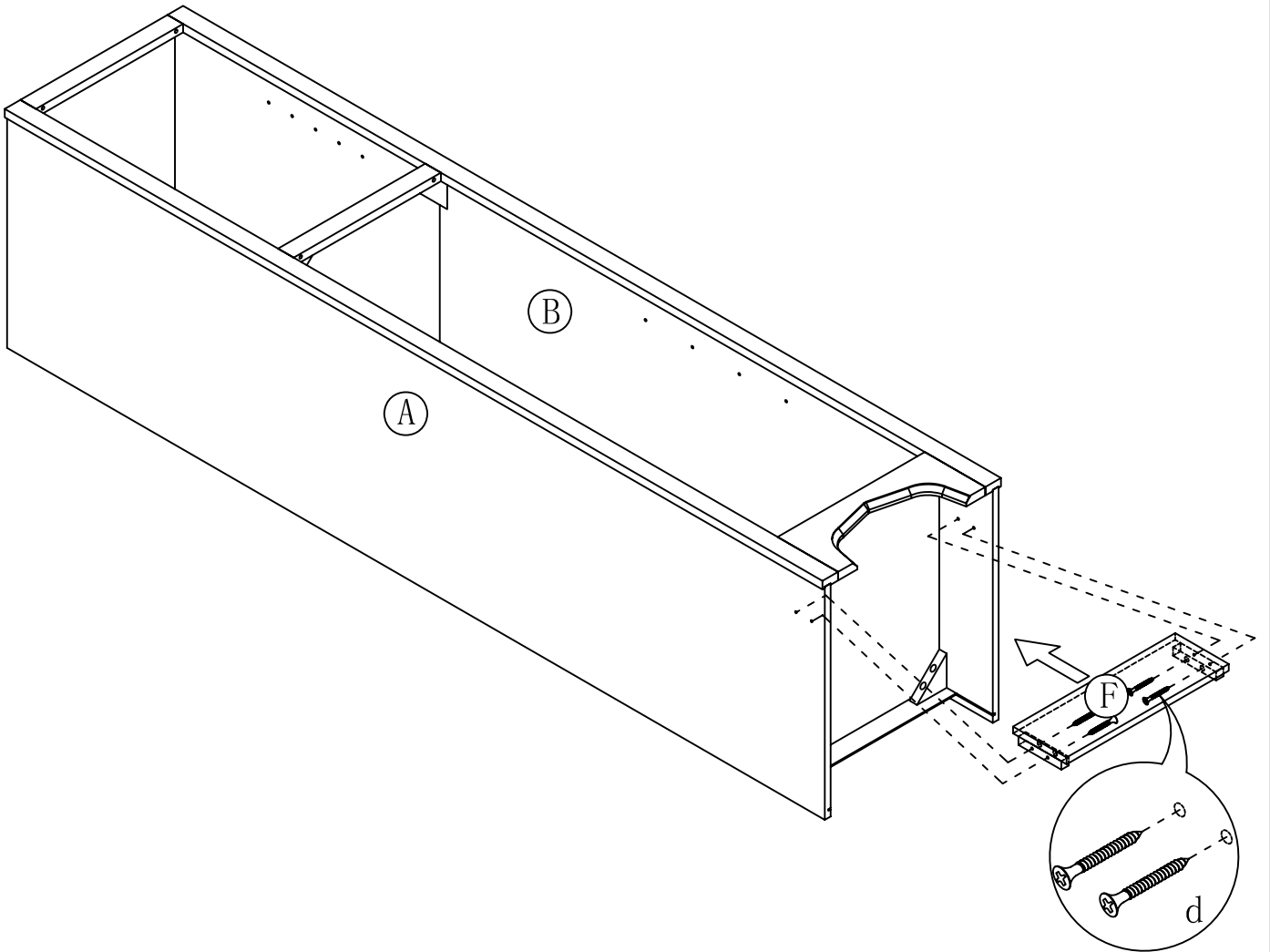
# STEP 3



# STEP 4

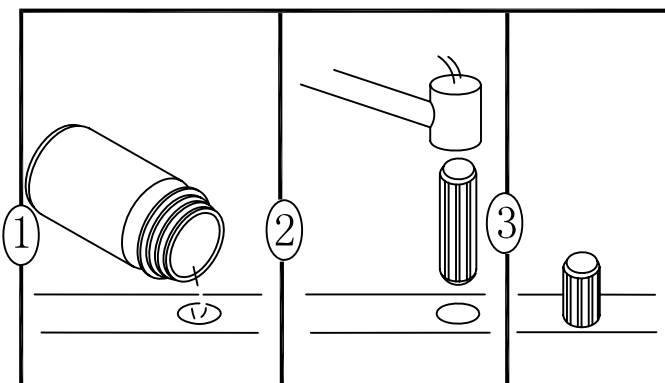
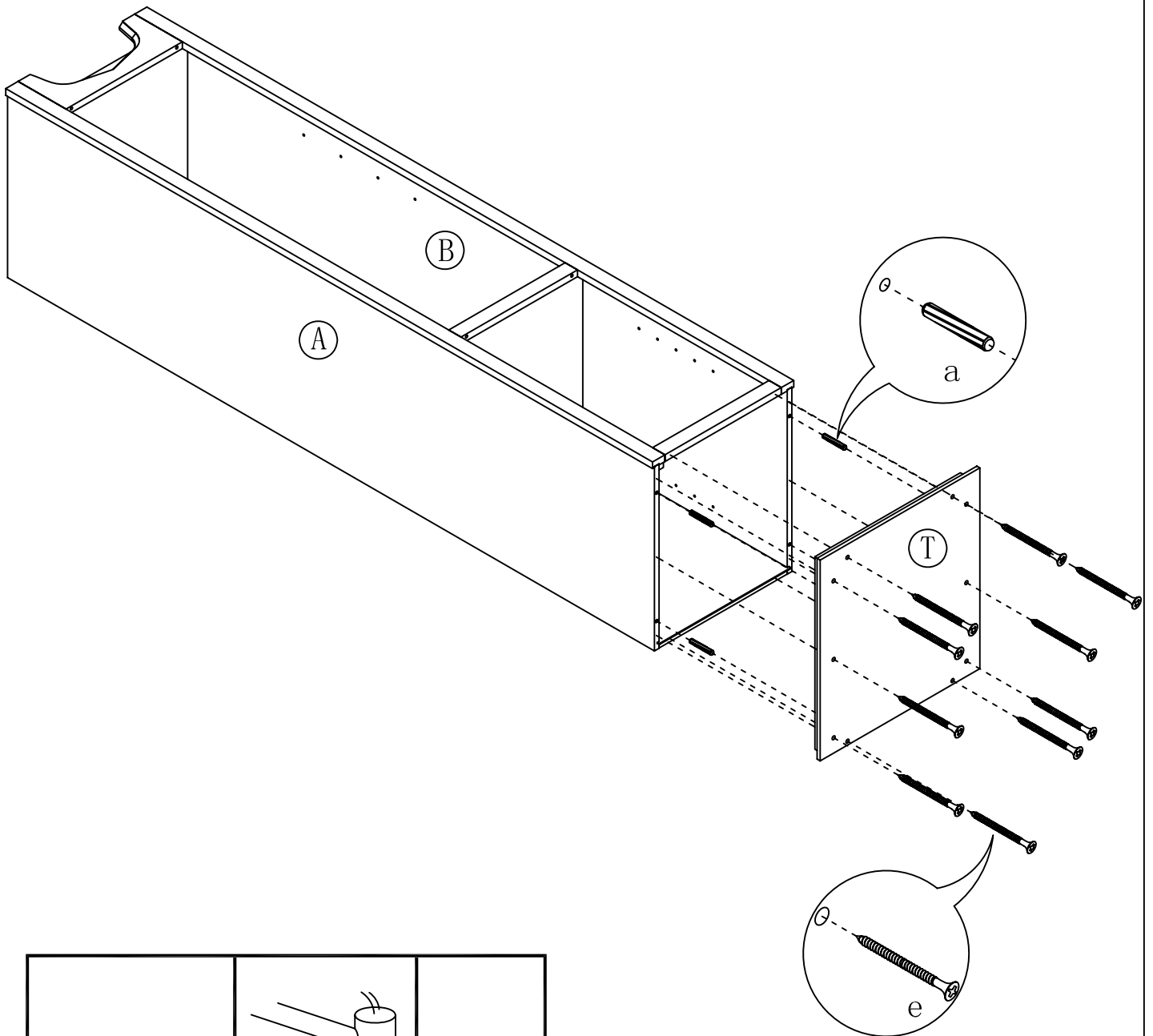


# STEP 5

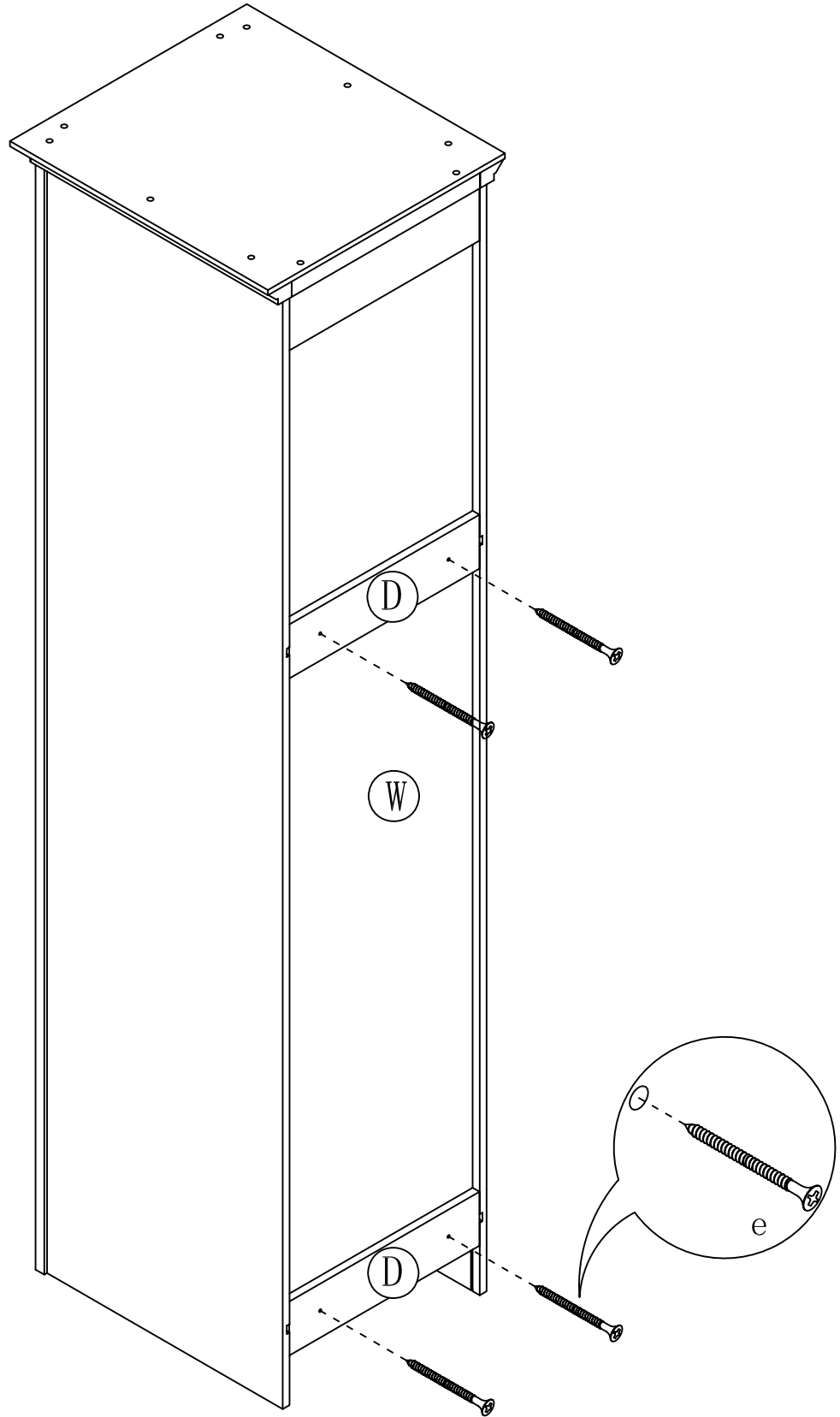




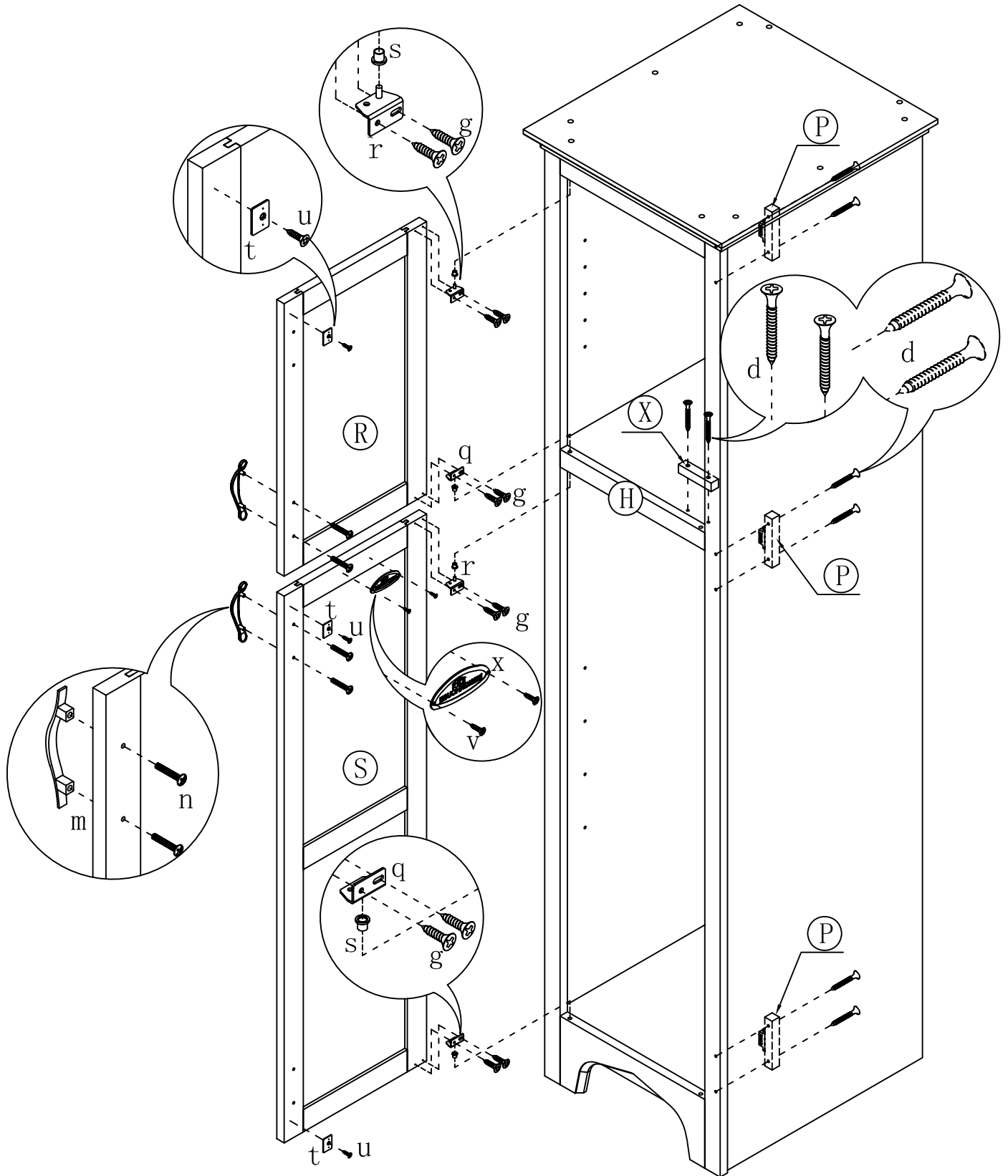
# STEP 6



# STEP 7

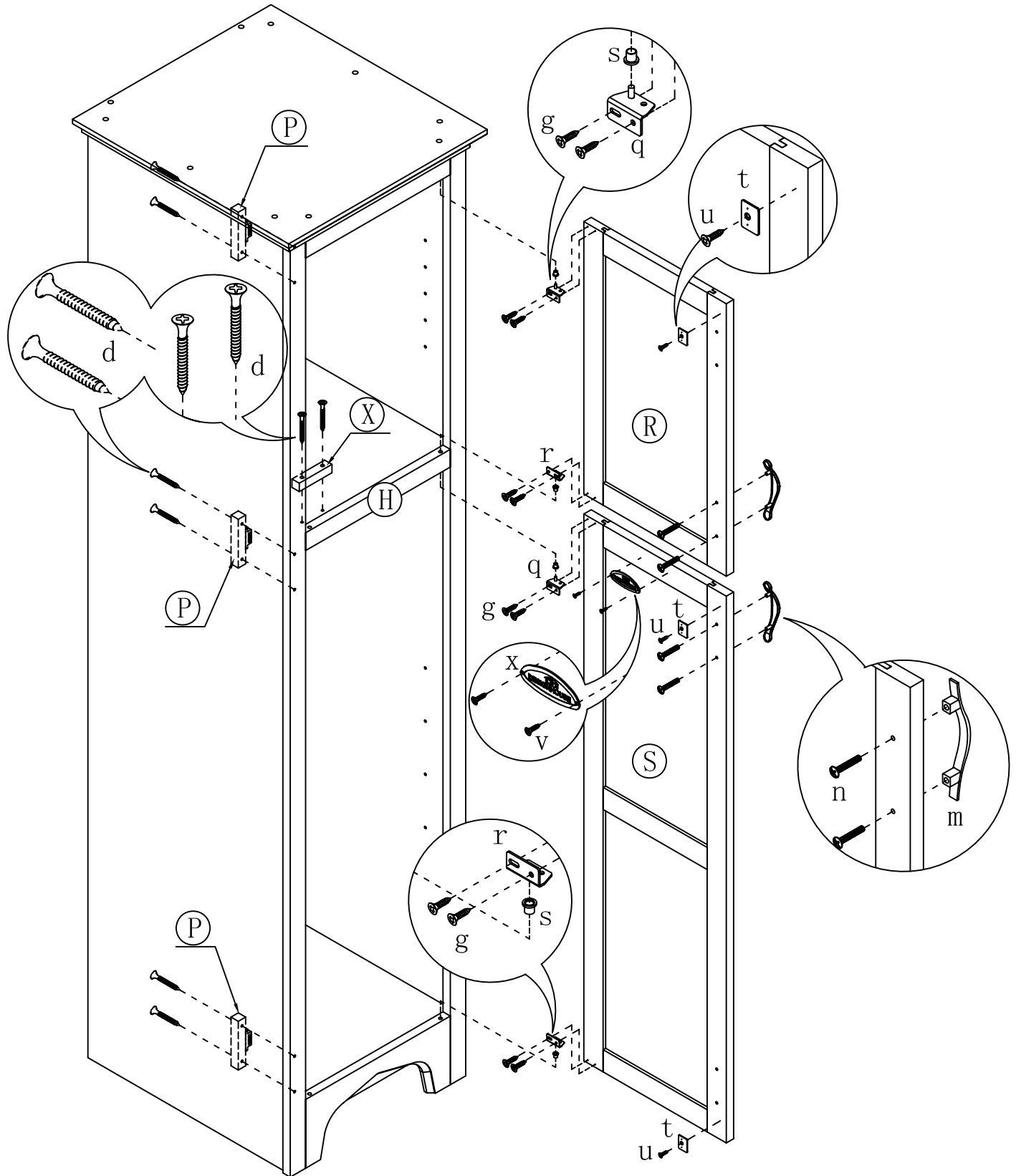


# STEP 8



PLEASE FOLLOW STEP8 IF YOU  
WOULD LIKE THE DOOR OPEN  
FROM THE LEFT

# STEP 9



PLEASE FOLLOW STEP9 IF YOU  
WOULD LIKE THE DOOR OPEN FROM  
THE RIGHT

# STEP 10

