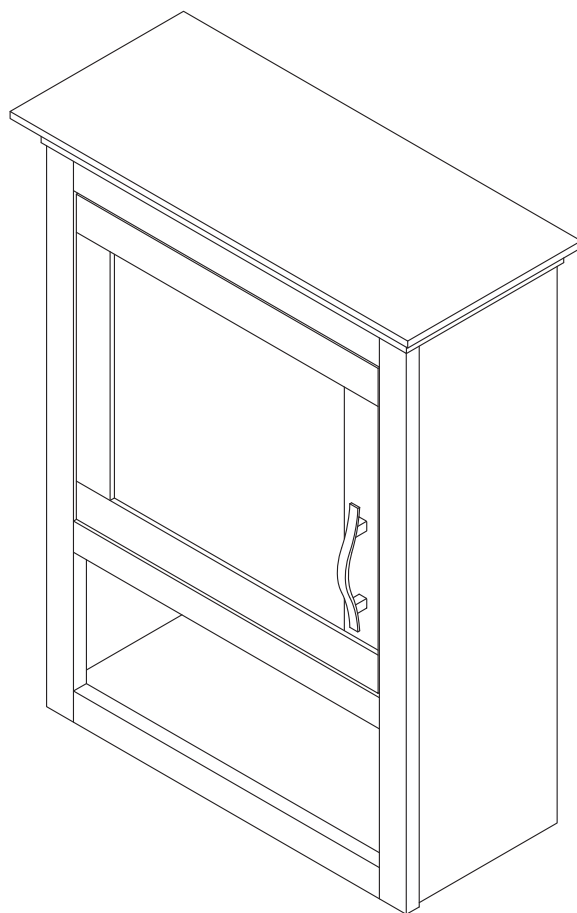




**ADVANCED**  
GLOBAL COMMERCE

---

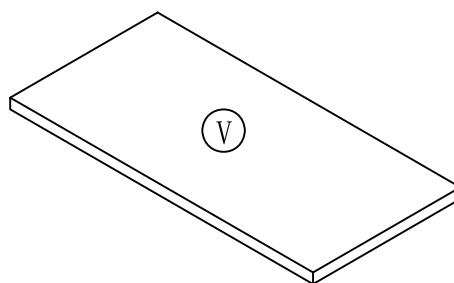
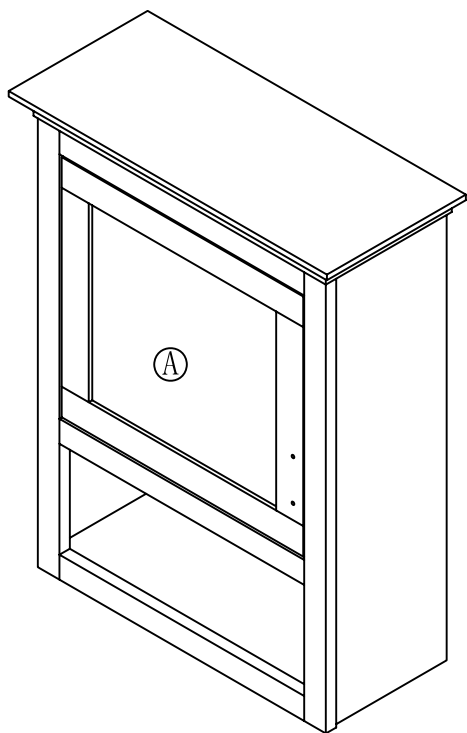


539643

# ASSEMBLY INSTRUCTIONS

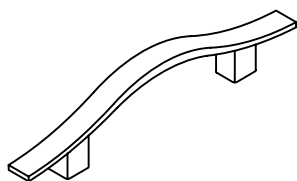
---

# PARTS LIST:

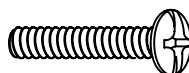


ADJUSTABLE PANEL 1PC

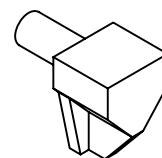
# HARDWARE LIST:



m. HANDLE 1PC

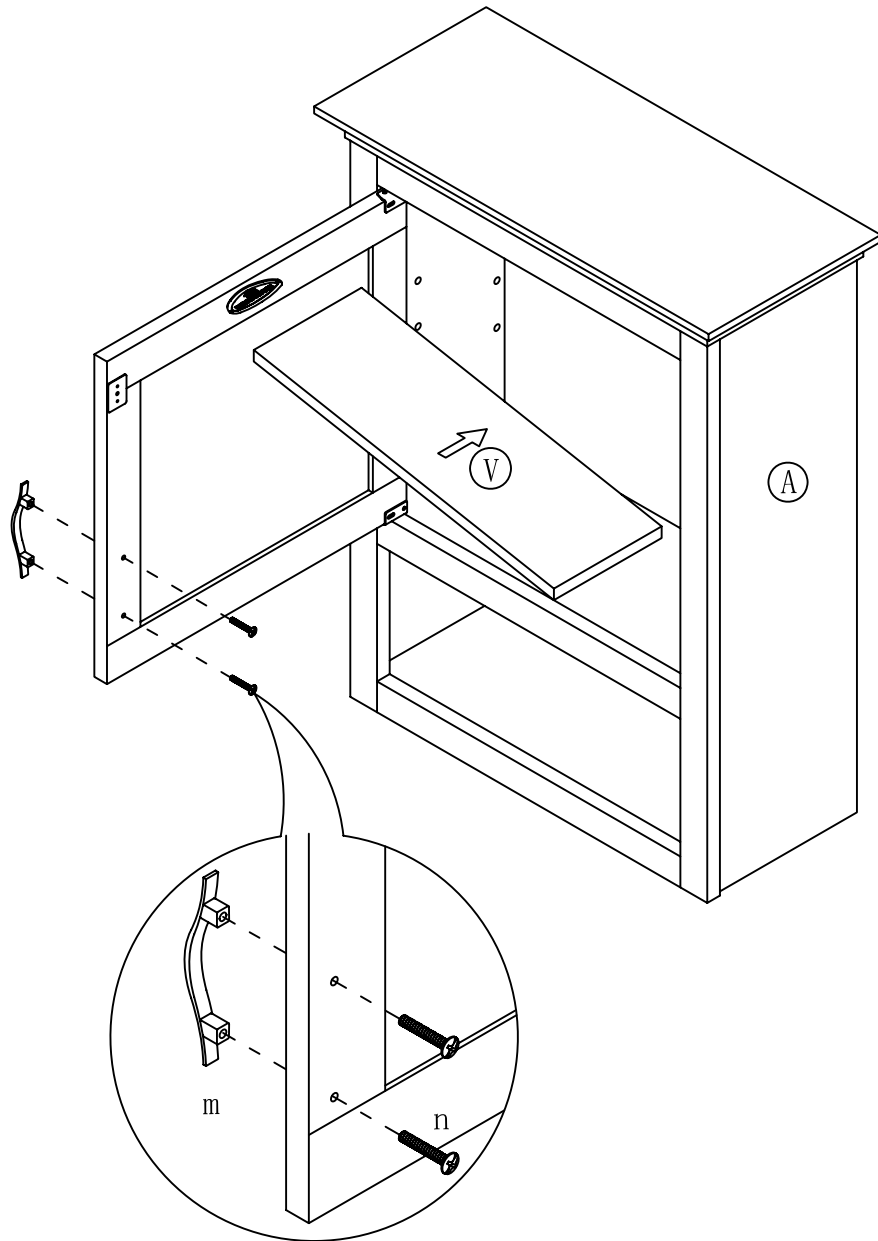


n. HANDLE BOLT 2PCS



k. PIN 4PCS

# STEP 1



# STEP 2

