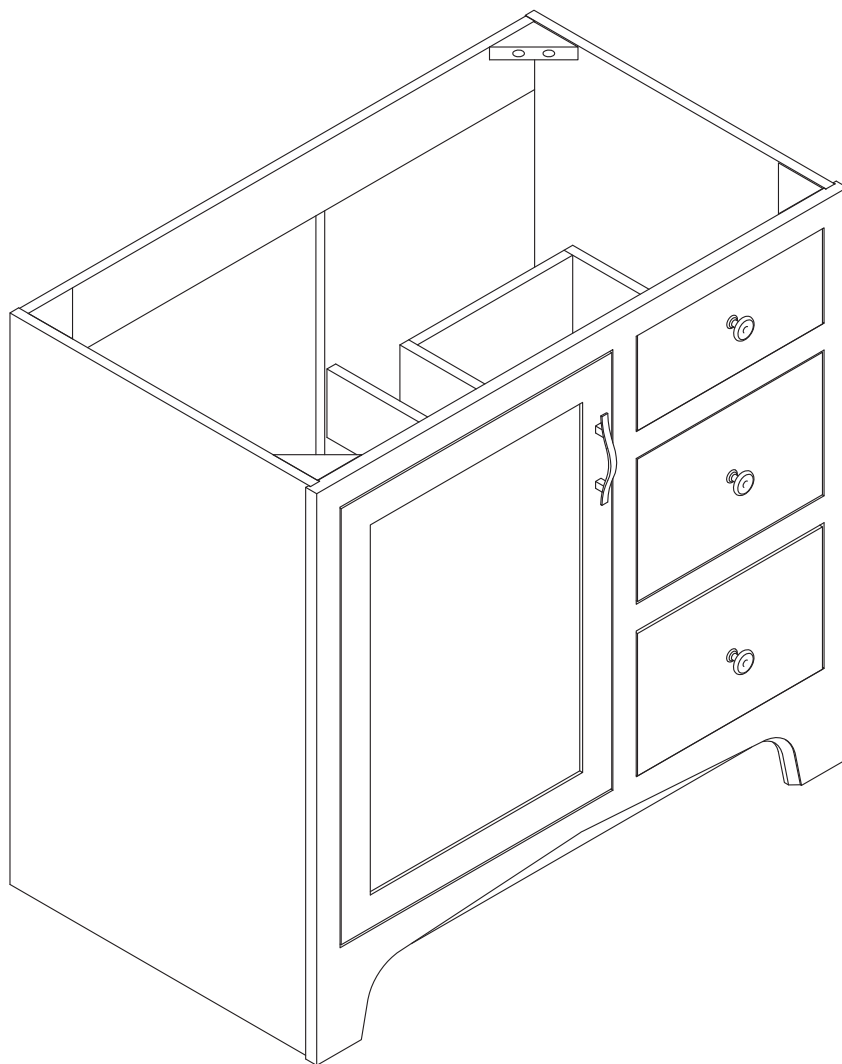




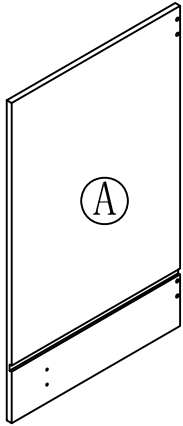
ADVANCED
GLOBAL COMMERCE



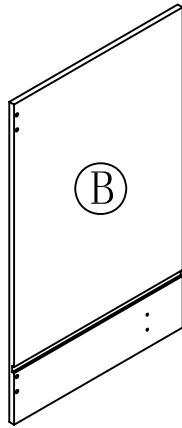
540658

ASSEMBLY INSTRUCTIONS

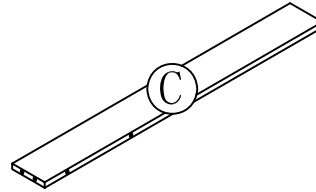
PARTS LIST:



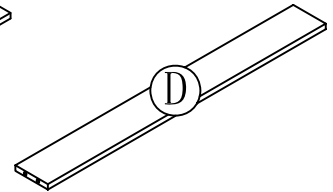
LEFT SIDE
PANEL 1PC



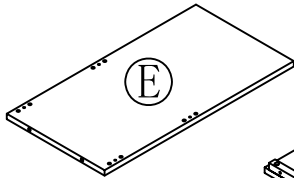
RIGHT SIDE
PANEL 1PC



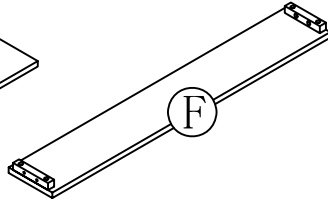
BACK UP CROSS
BRACE 1PC



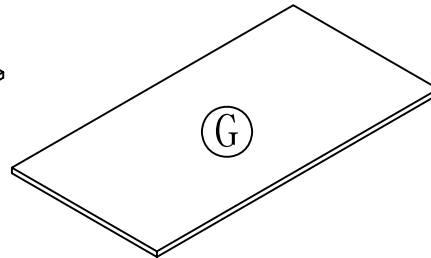
BACK DOWN CROSS
BRACE 1PC



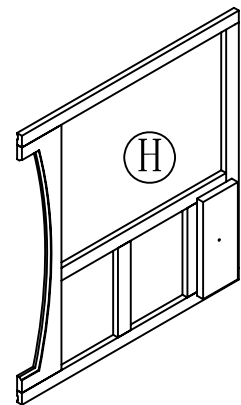
BACK PARTITION
PANEL 1PC



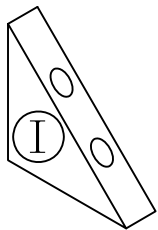
TOE KICK
PANEL 1PC



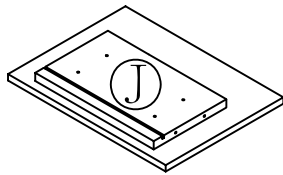
BOTTOM PANEL 1PC



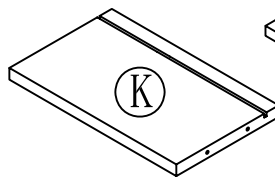
FRONT FRAME 1PC



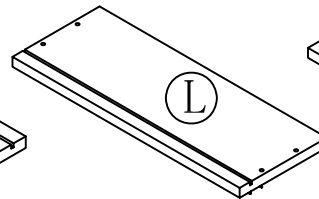
STRENGTH
BLOCK 8PCS



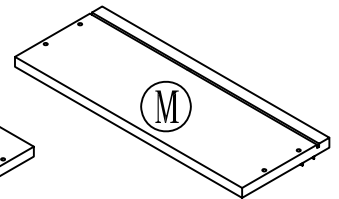
DRAWER FRONT
PANEL 2PCS



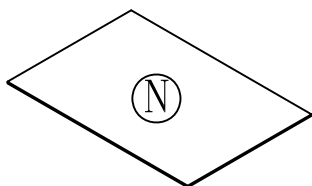
DRAWER BACK
PANEL 2PCS



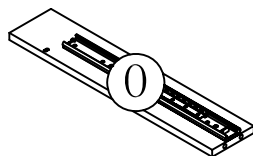
DRAWER LEFT SIDE
PANEL 2PCS



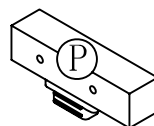
DRAWER RIGHT SIDE
PANEL 2PCS



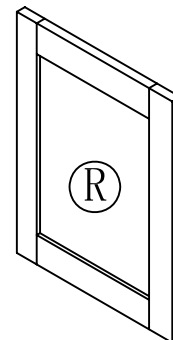
DRAWER BOTTOM
PANEL 2PCS



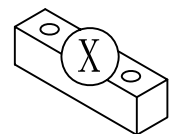
SUPPORT
PANEL 4PCS



MAGNET 1PC



DOOR 1PC



STOPPER 1PC

HARDWARE LIST:



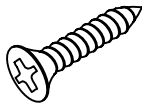
a. WOOD DOWEL 28PCS



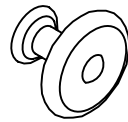
d. 1" L FLAT HEAD SCREW 28PCS



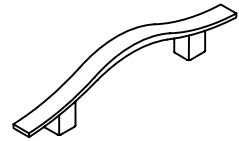
e. 1-1/2" L FLAT HEAD SCREW 16PCS



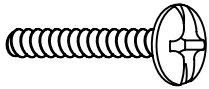
g. 1/2" L FLAT HEAD SCREW (FOR HINGE) 4PCS



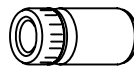
l. KNOB 3PCS



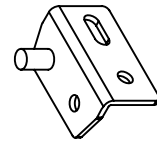
m. HANDLE 1PC



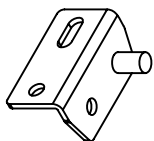
n. HANDLE (KNOB) BOLT 5PCS



p. GLUE 1PC



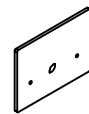
q. HINGE(1) 1PC



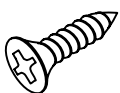
r. HINGE(2) 1PC



s. PLASTIC PLUG (FOR HINGE) 2PCS



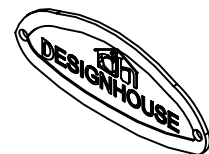
t. METAL PLATE 1PC



u. 3/8" L FLAT HEAD SCREW 1PC

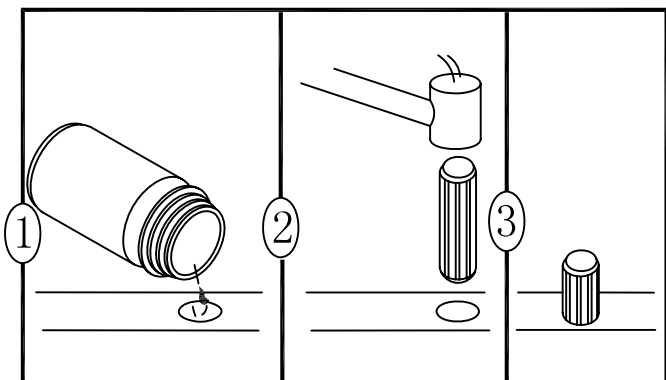
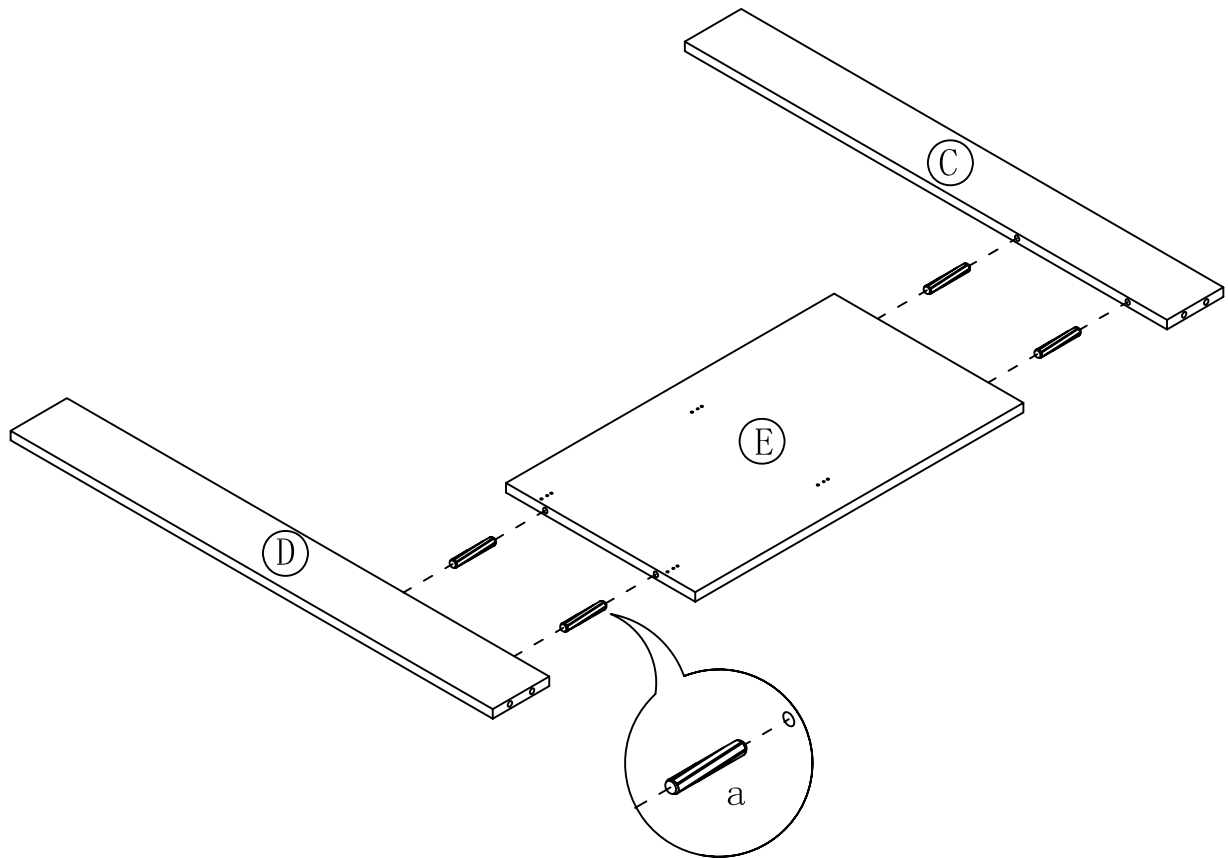


v. SMALL FLAT HEAD SCREW (FOR LOGO) 2PCS

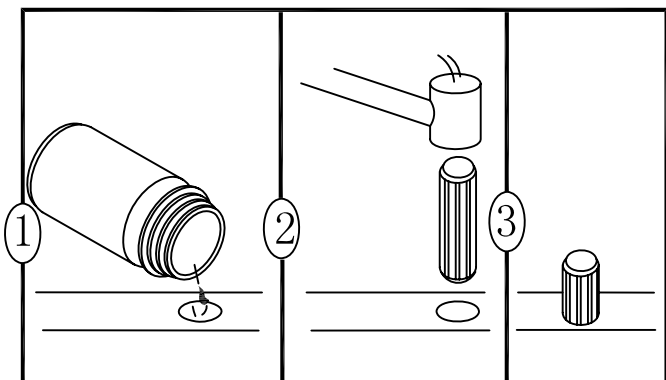
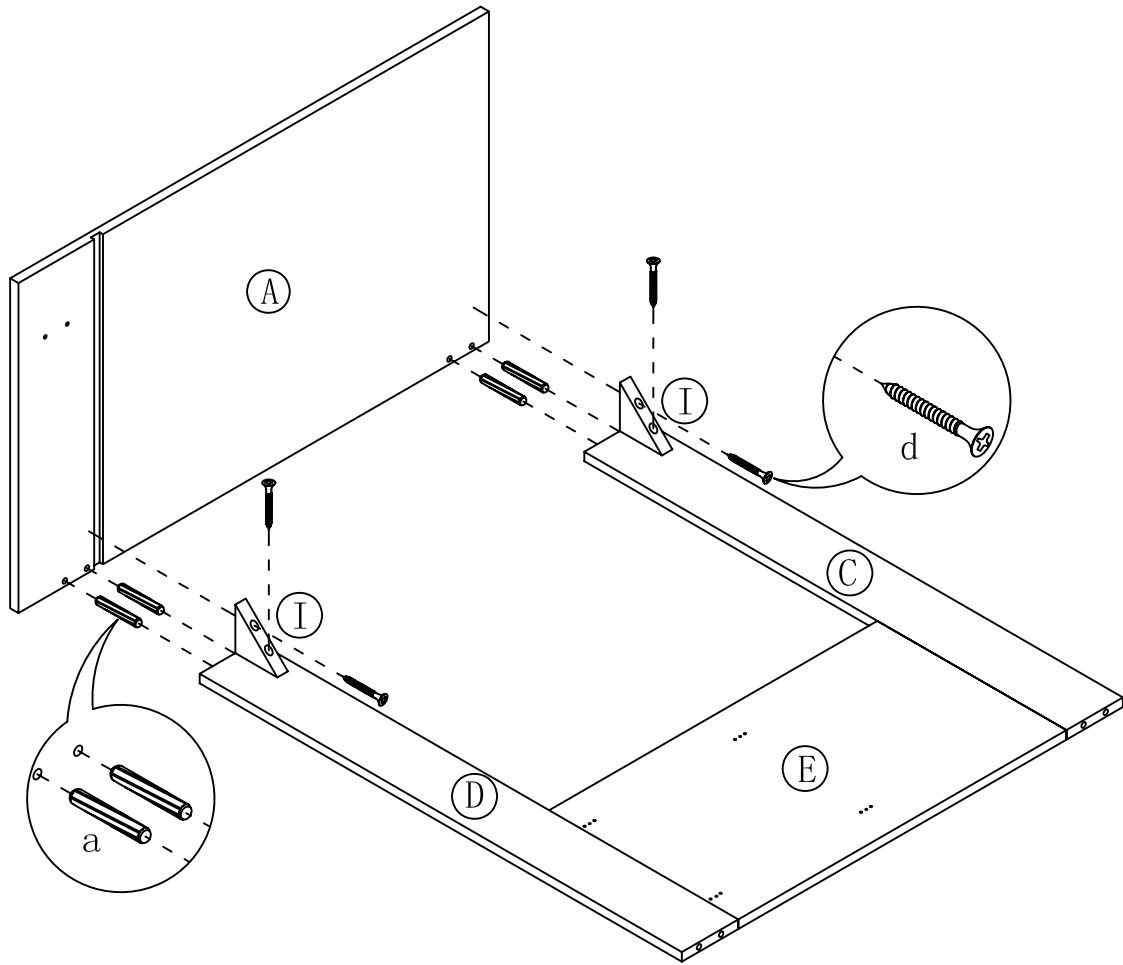


x. LOGO 1PC

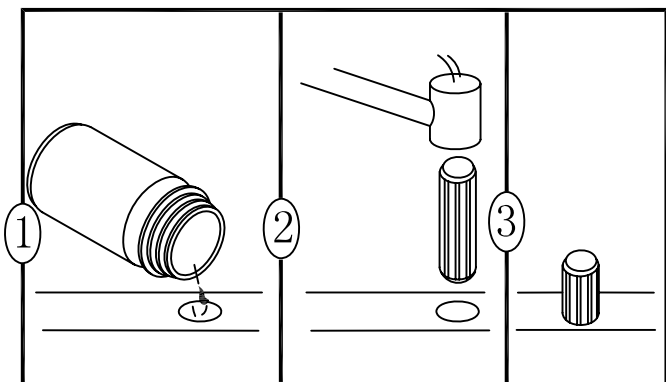
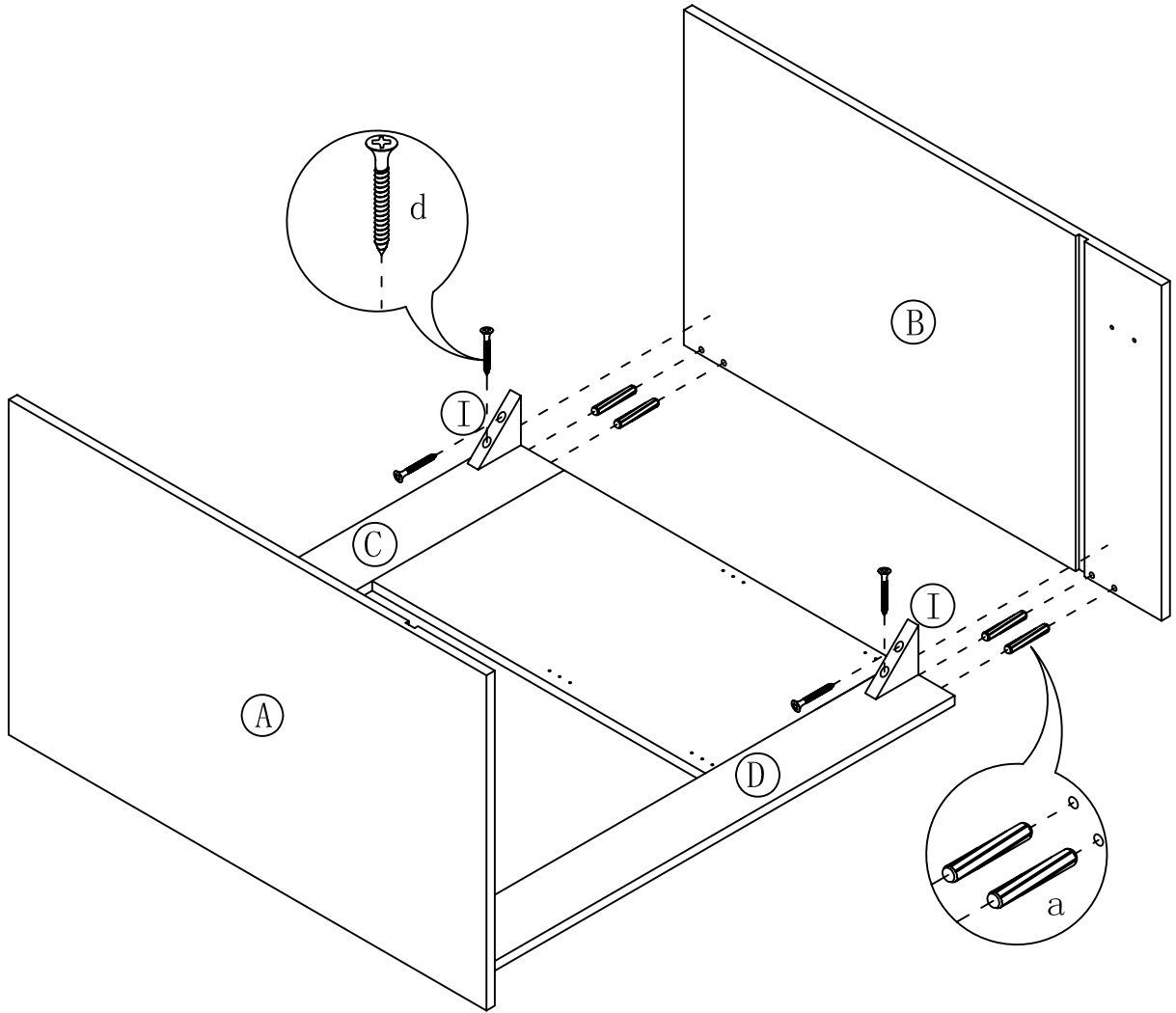
STEP 1



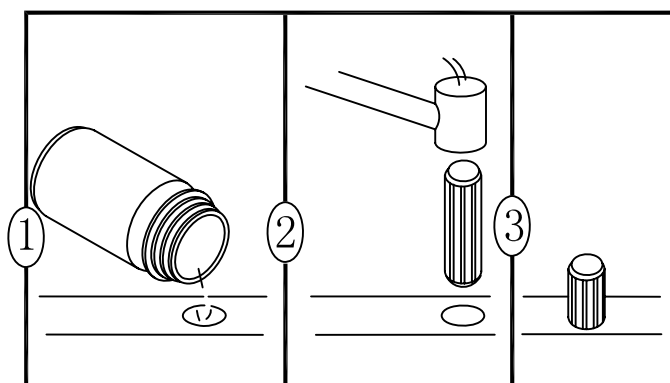
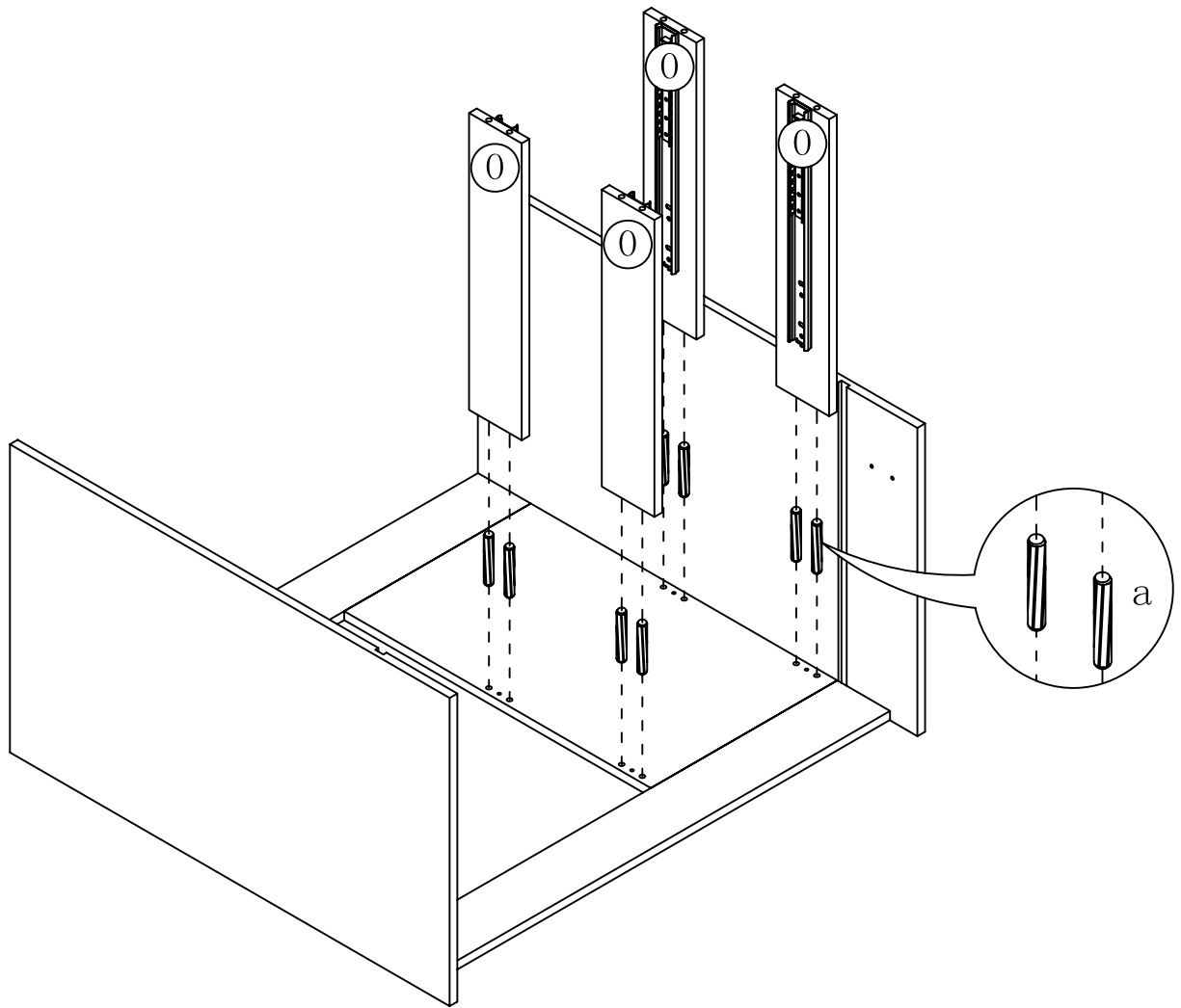
STEP 2



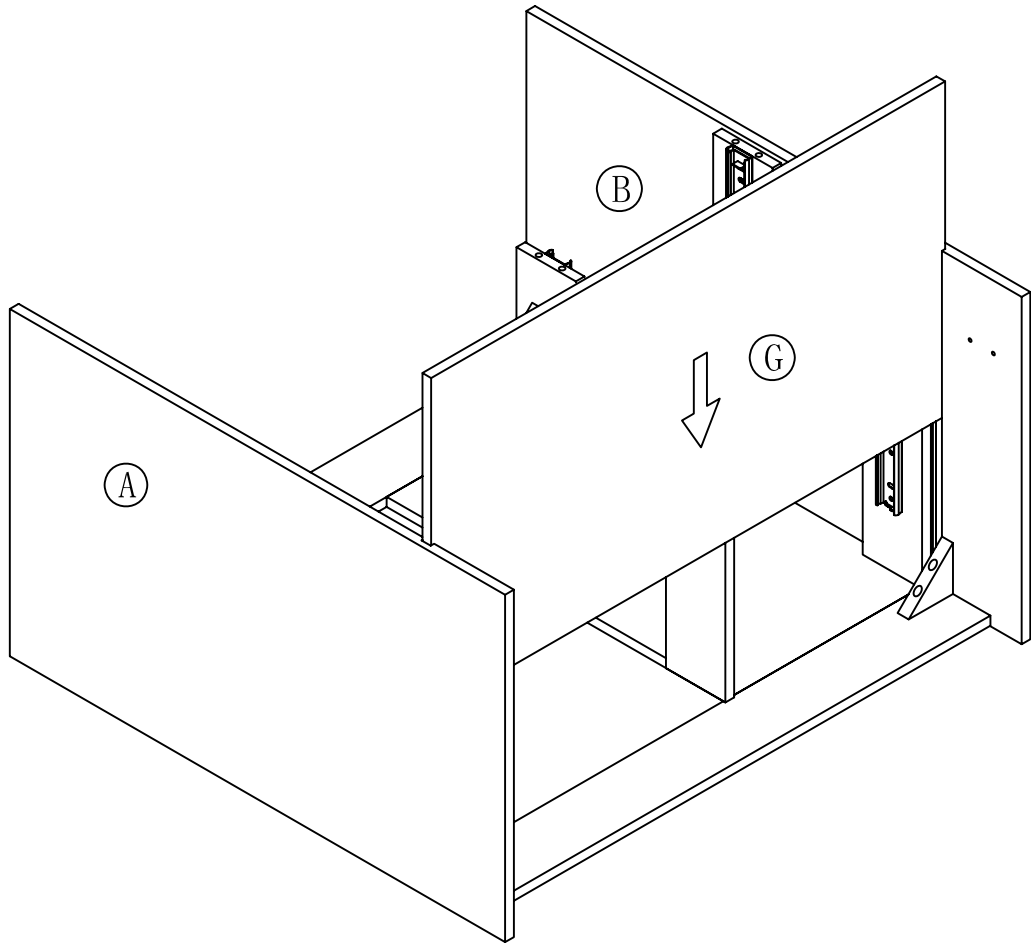
STEP 3



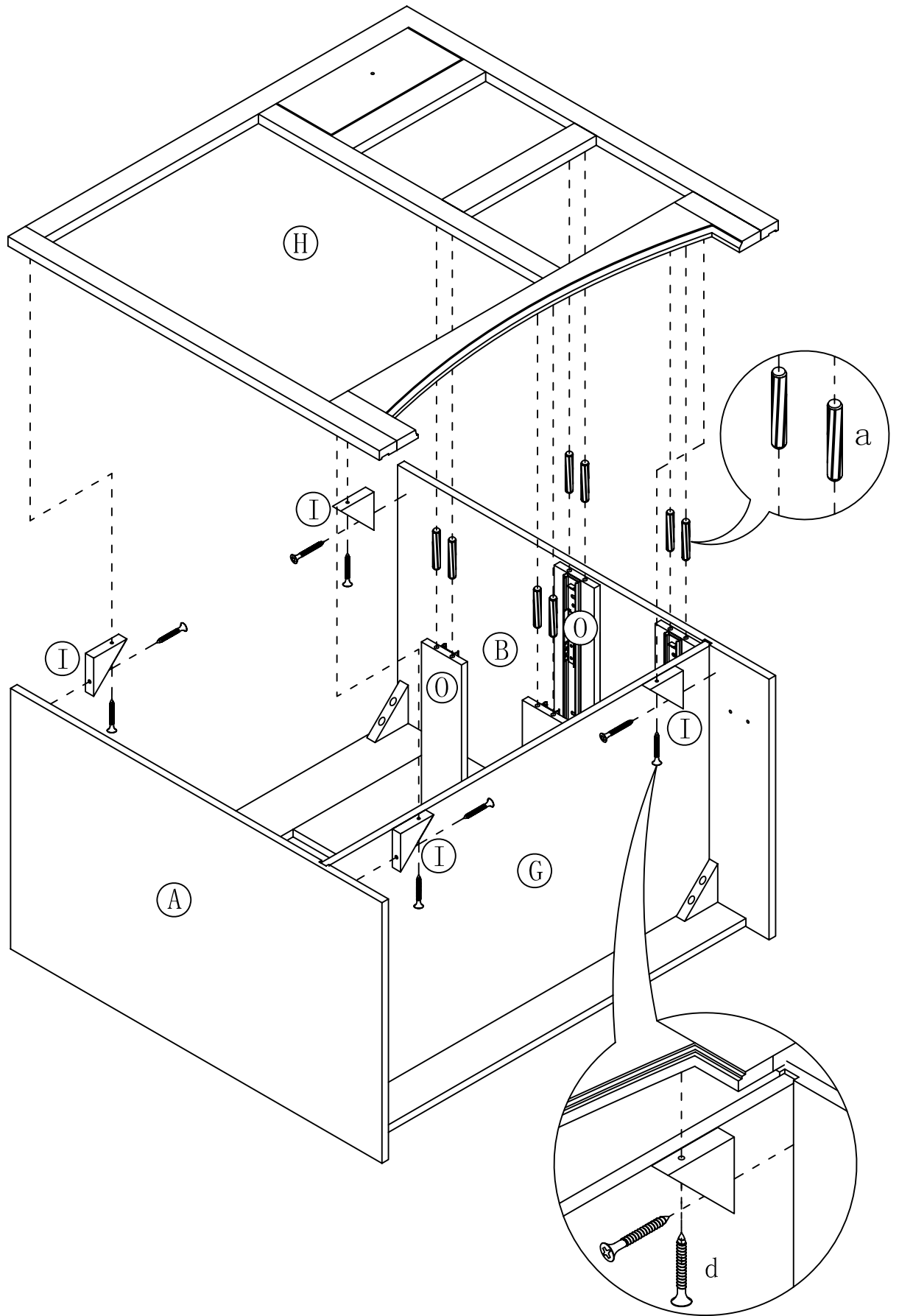
STEP 4



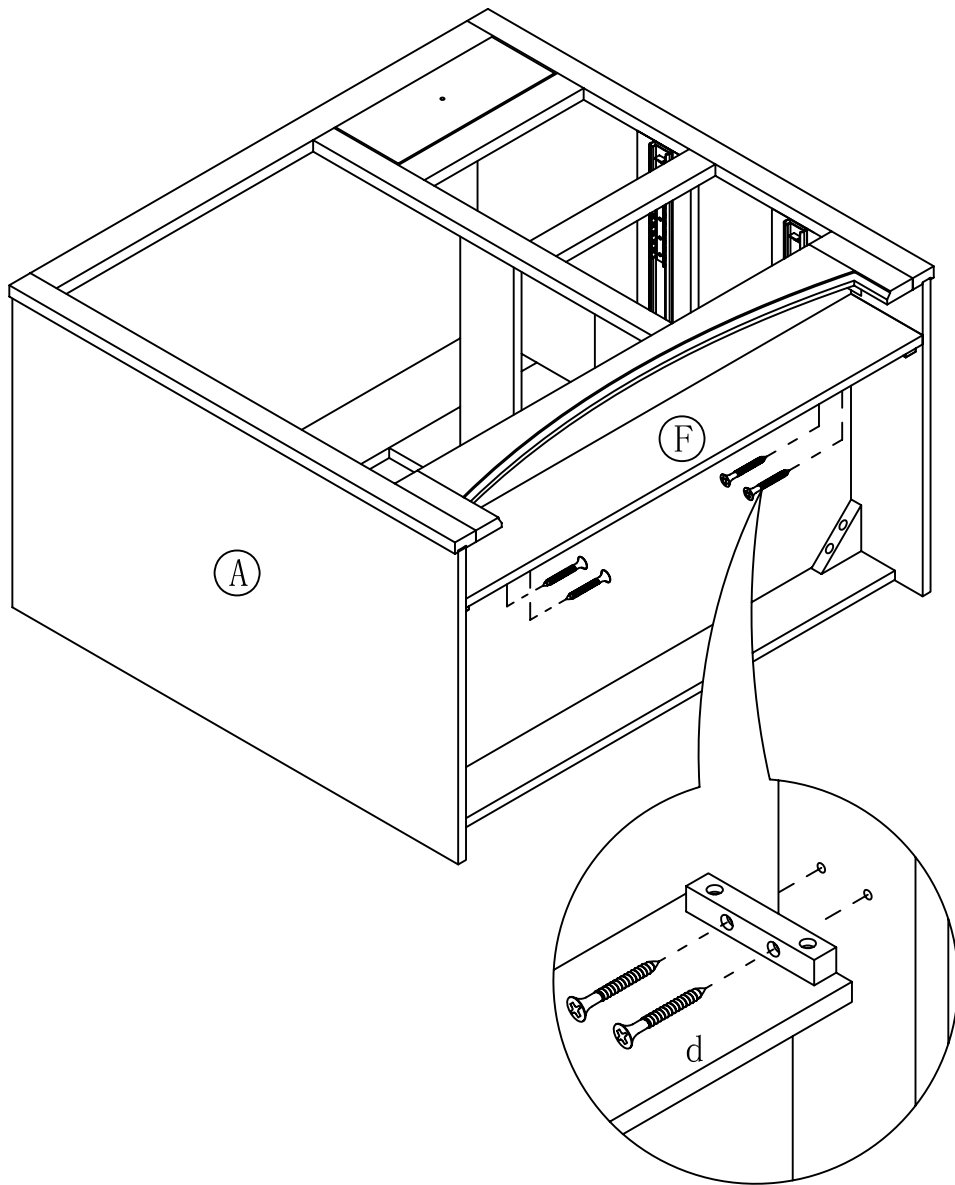
STEP 5



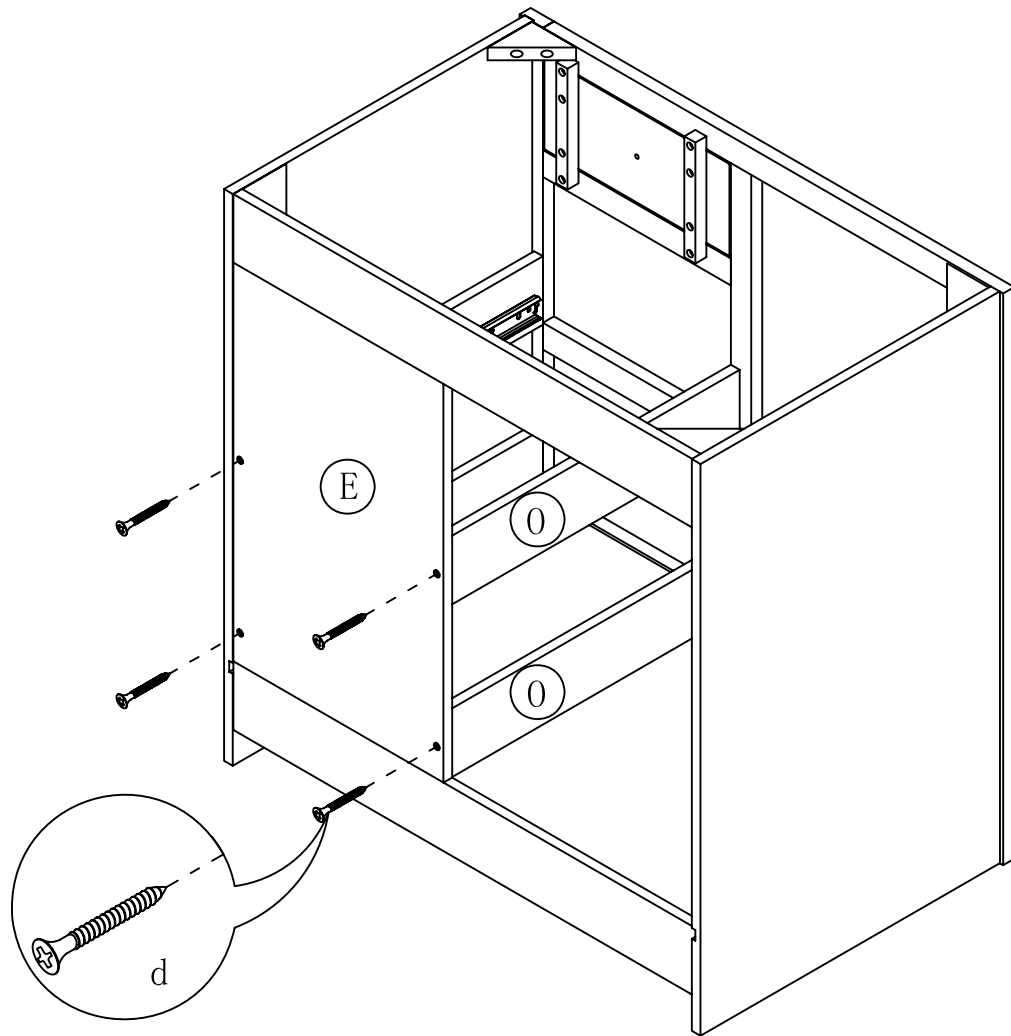
STEP 6



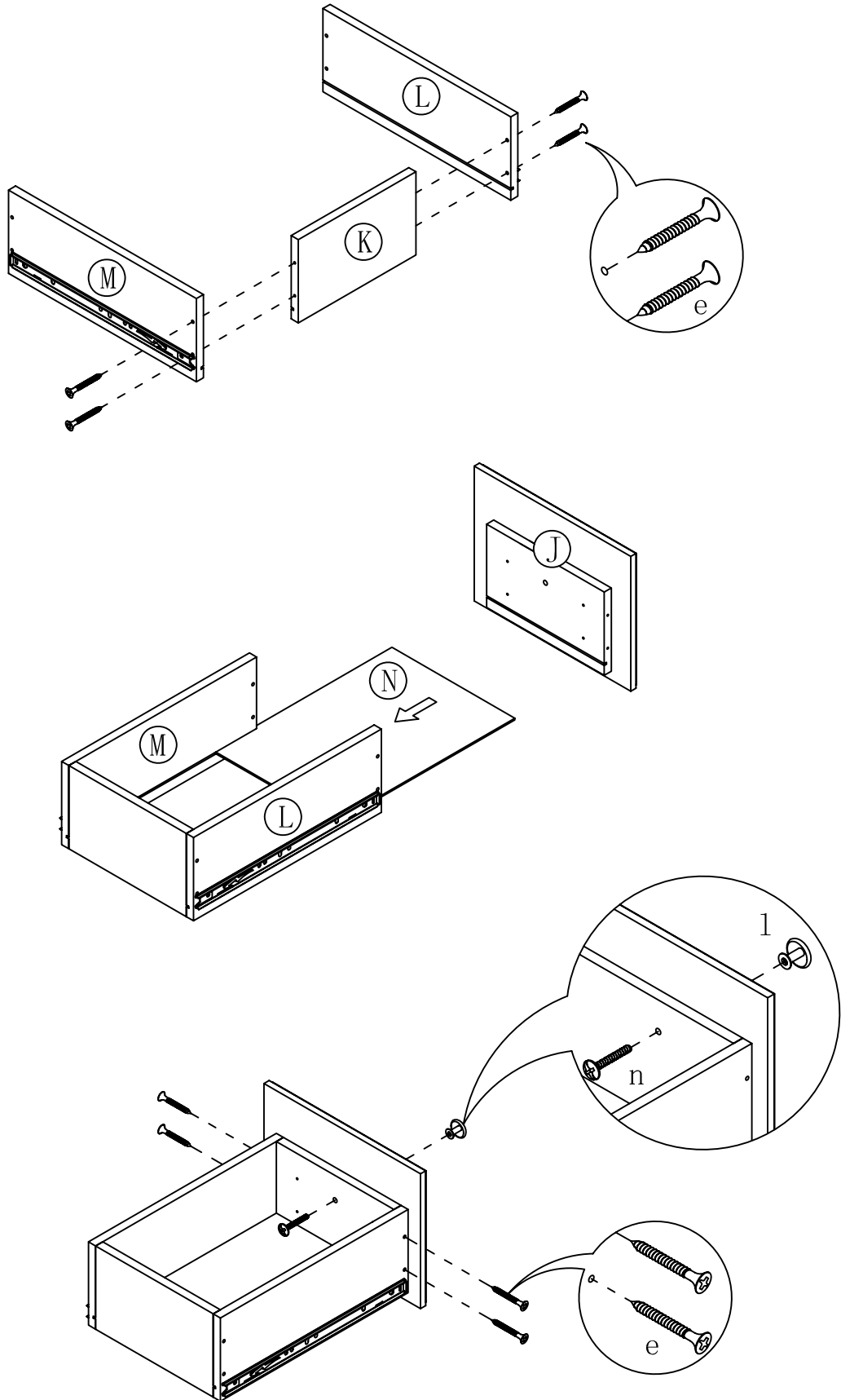
STEP 7



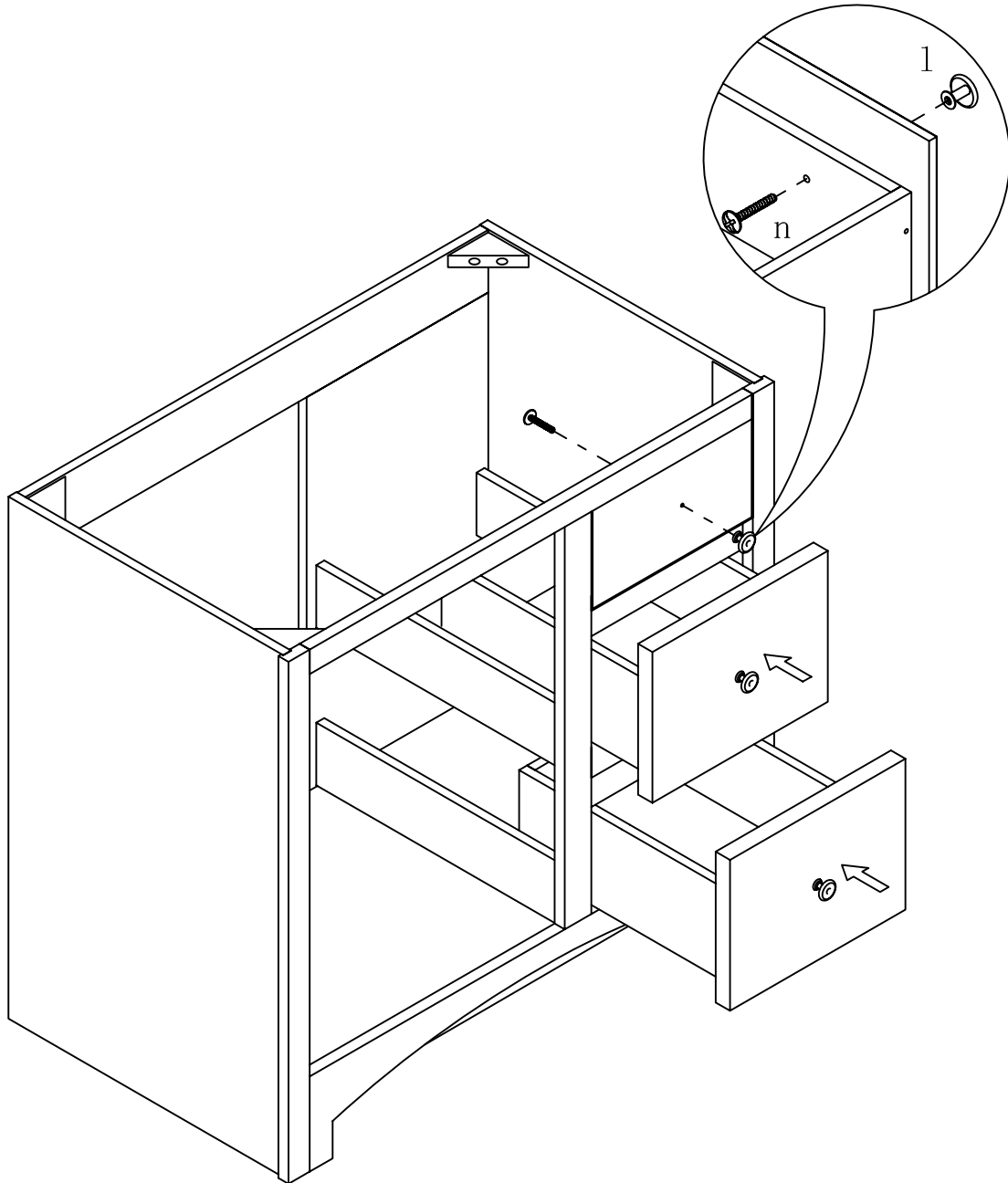
STEP 8



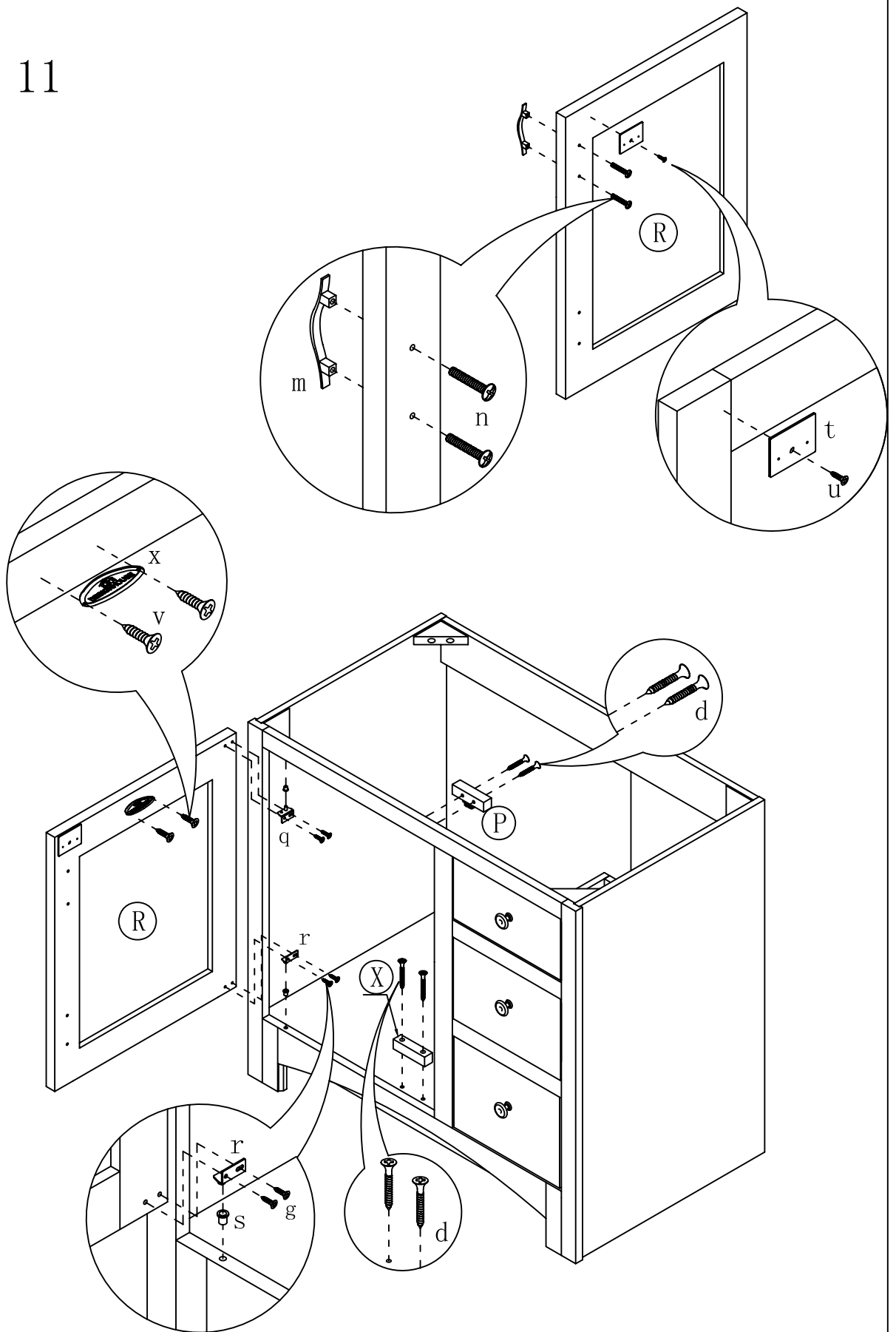
STEP 9



STEP 10

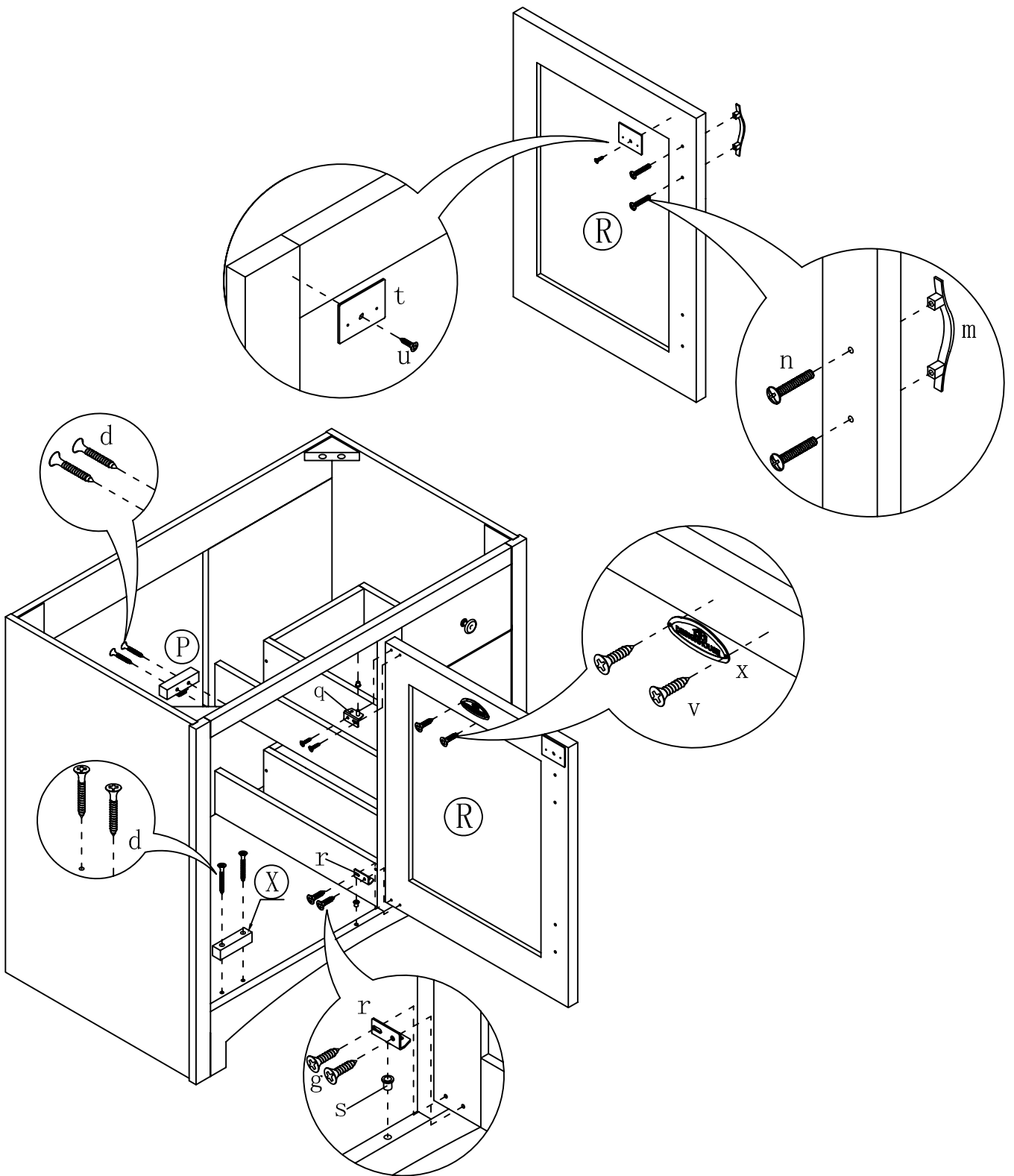


STEP 11



PLEASE FOLLOW STEP 11 IF YOU WOULD LIKE THE
DOOR OPEN FROM THE LEFT

STEP 12



PLEASE FOLLOW STEP 12 IF YOU WOULD LIKE THE
DOOR OPEN FROM THE RIGHT