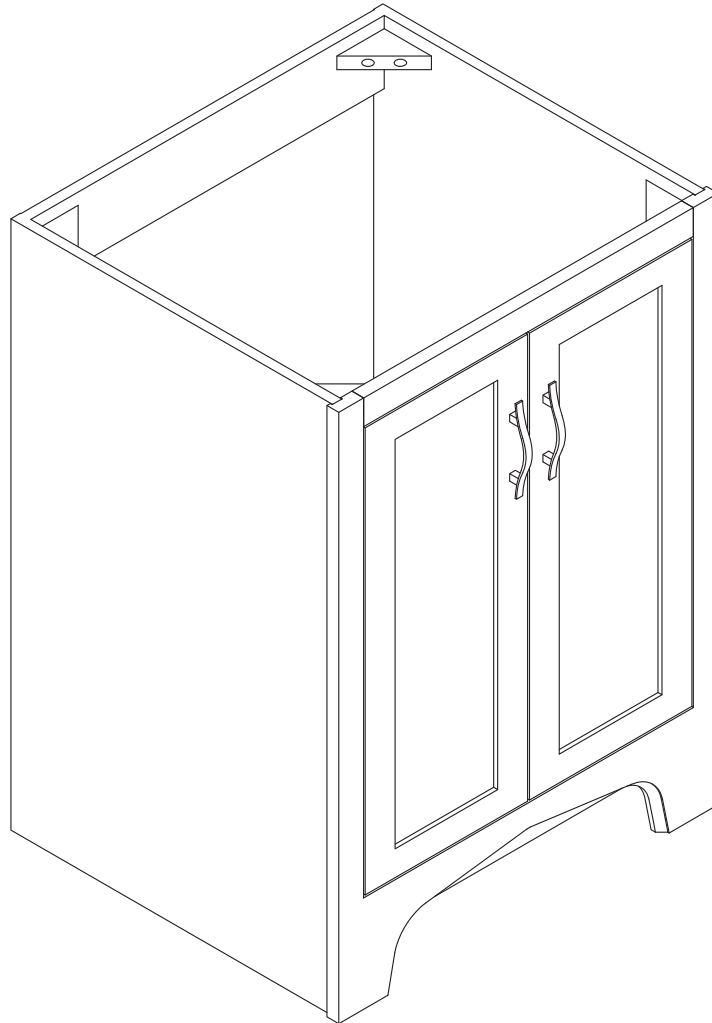




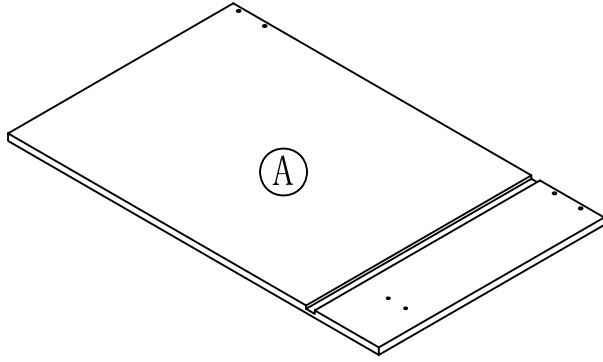
ADVANCED
GLOBAL COMMERCE



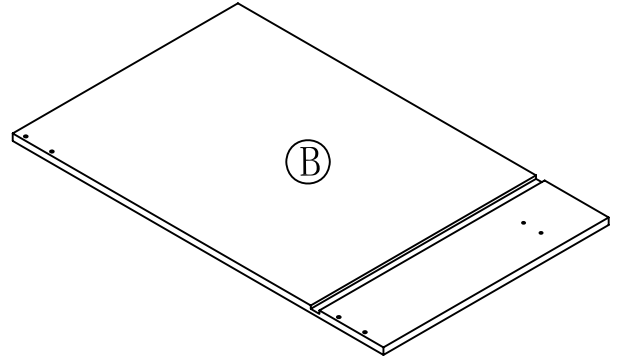
540625 • 540633 • 540641

ASSEMBLY INSTRUCTIONS

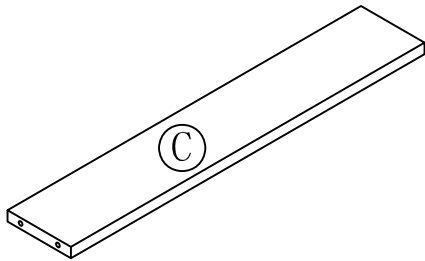
PARTS LIST:



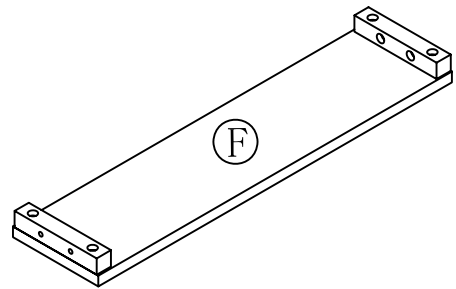
LEFT SIDE PANEL 1PC



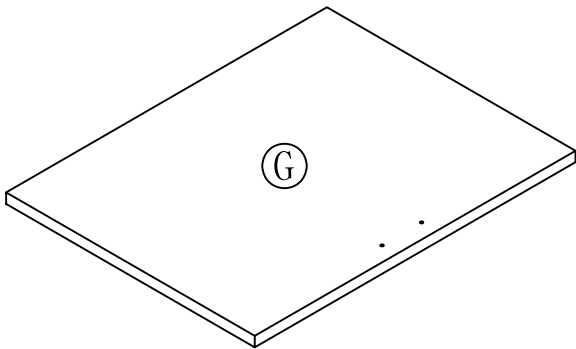
RIGHT SIDE PANEL 1PC



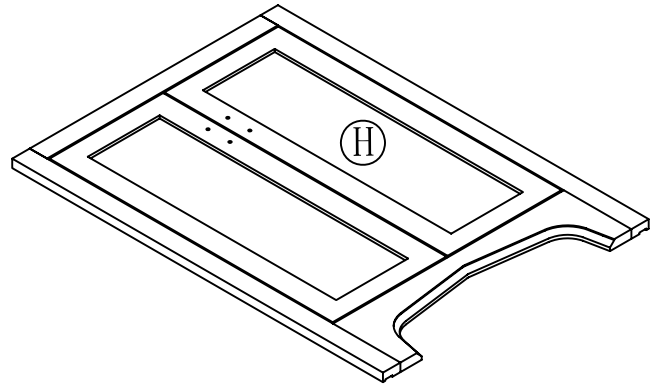
BACK CROSS BRACE 2PCS



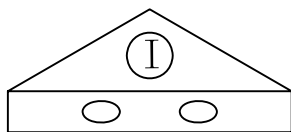
TOE KICK PANEL 1PC



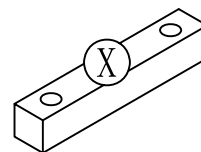
BOTTOM PANEL 1PC



FRONT FRAME 1PC



STRENGTH BLOCK 8PCS



STOPPER 1PC

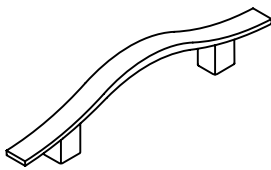
HARDWARE LIST:



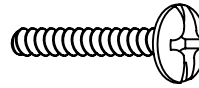
a. WOOD DOWEL 8PCS



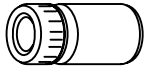
d. 1" FLAT HEAD
SCREW 22PCS



m. HANDLE 2PCS

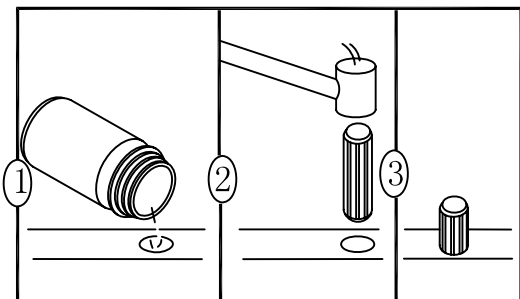
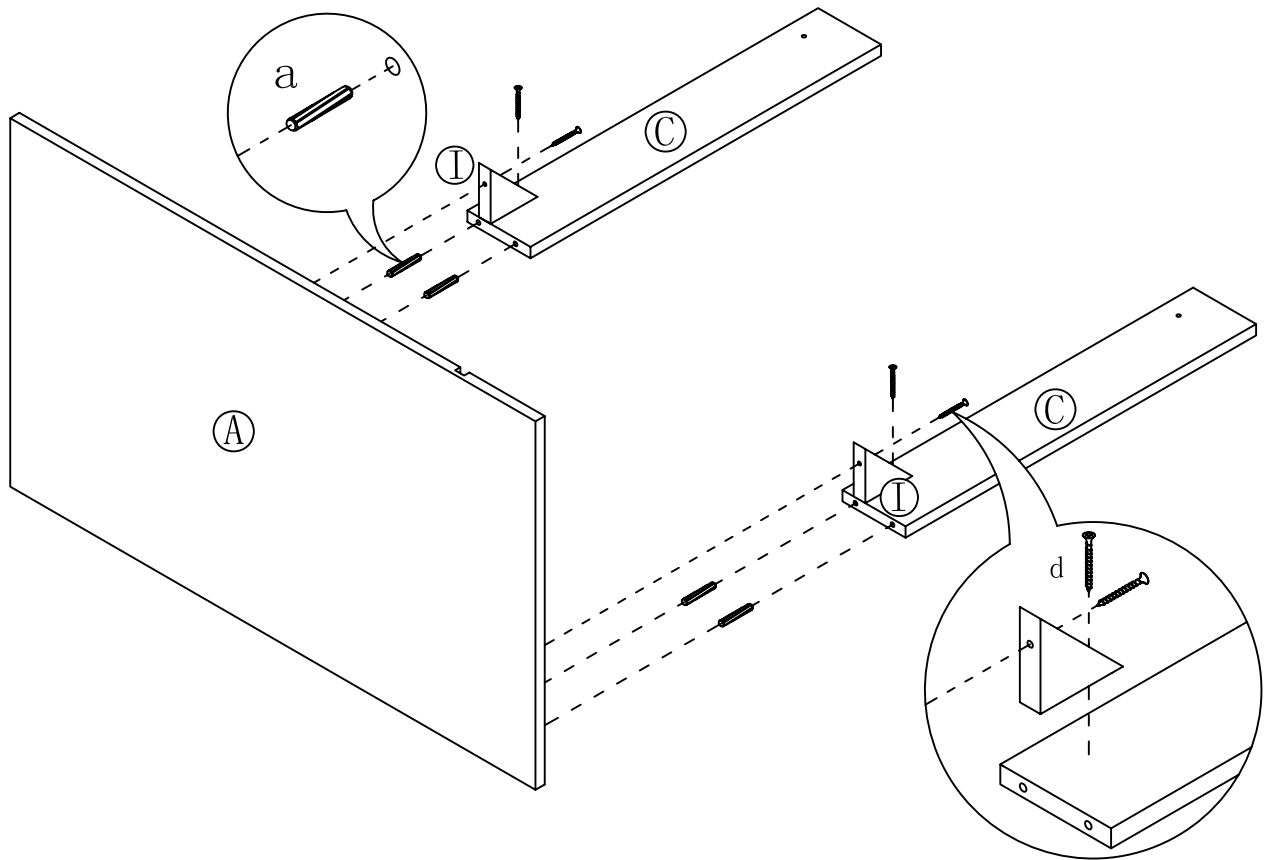


n. HANDLE BOLT 4PCS

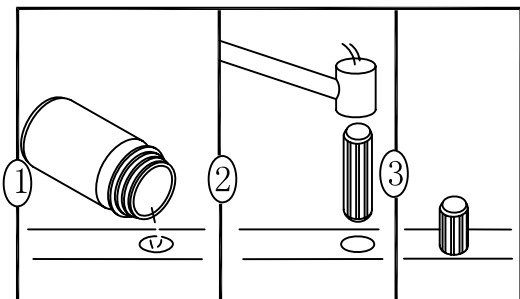
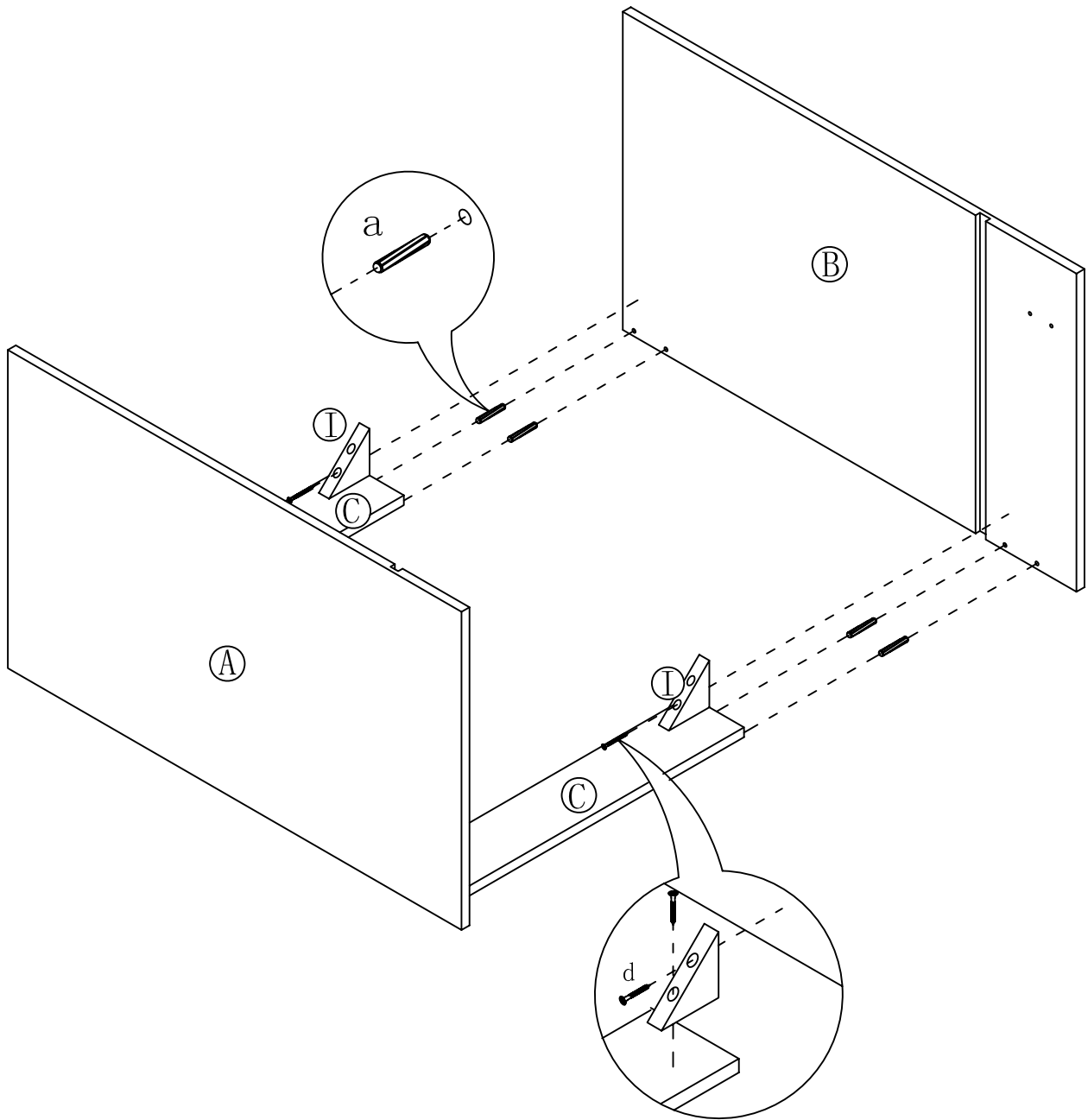


p. GLUE 1PC

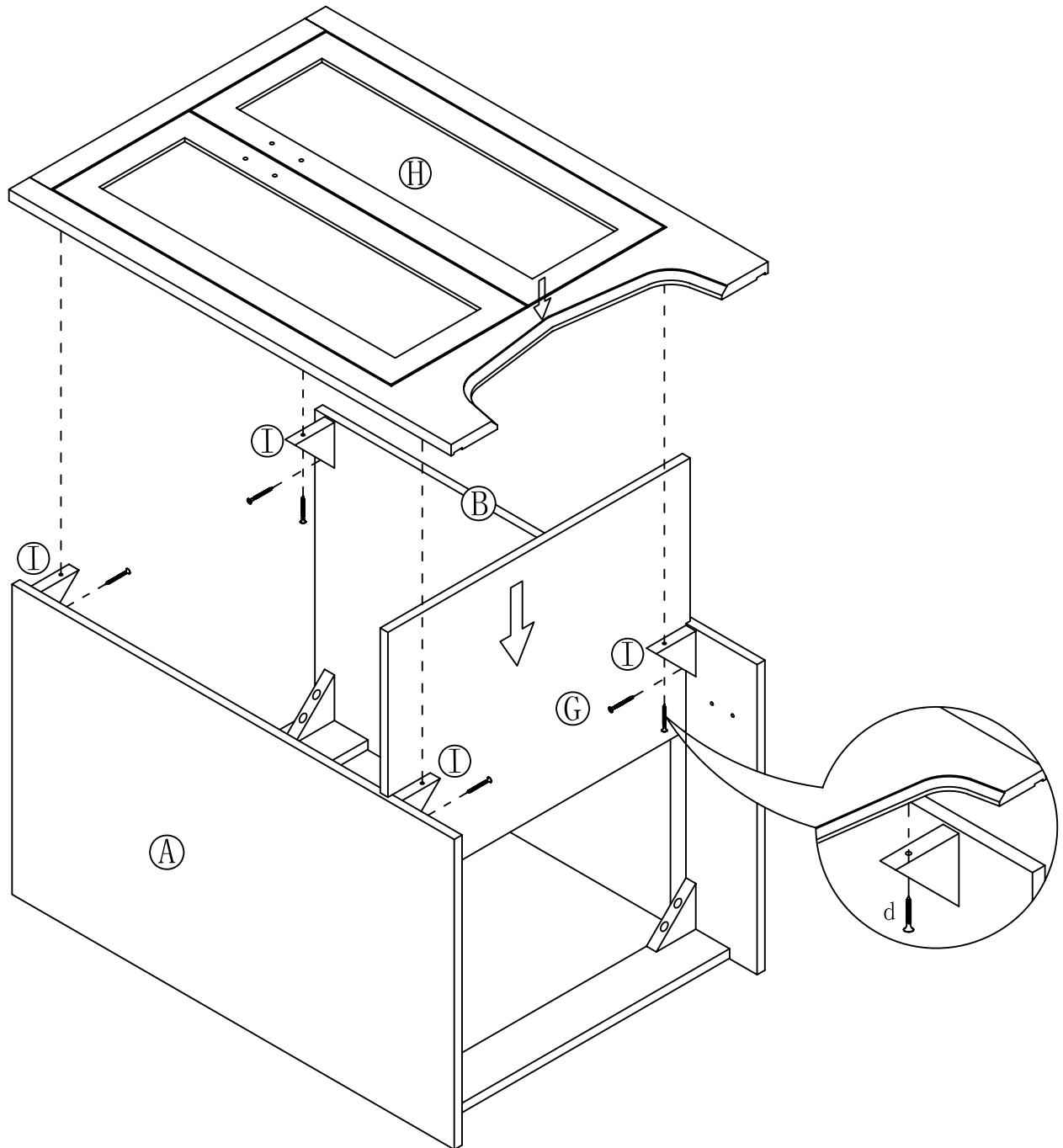
STEP 1



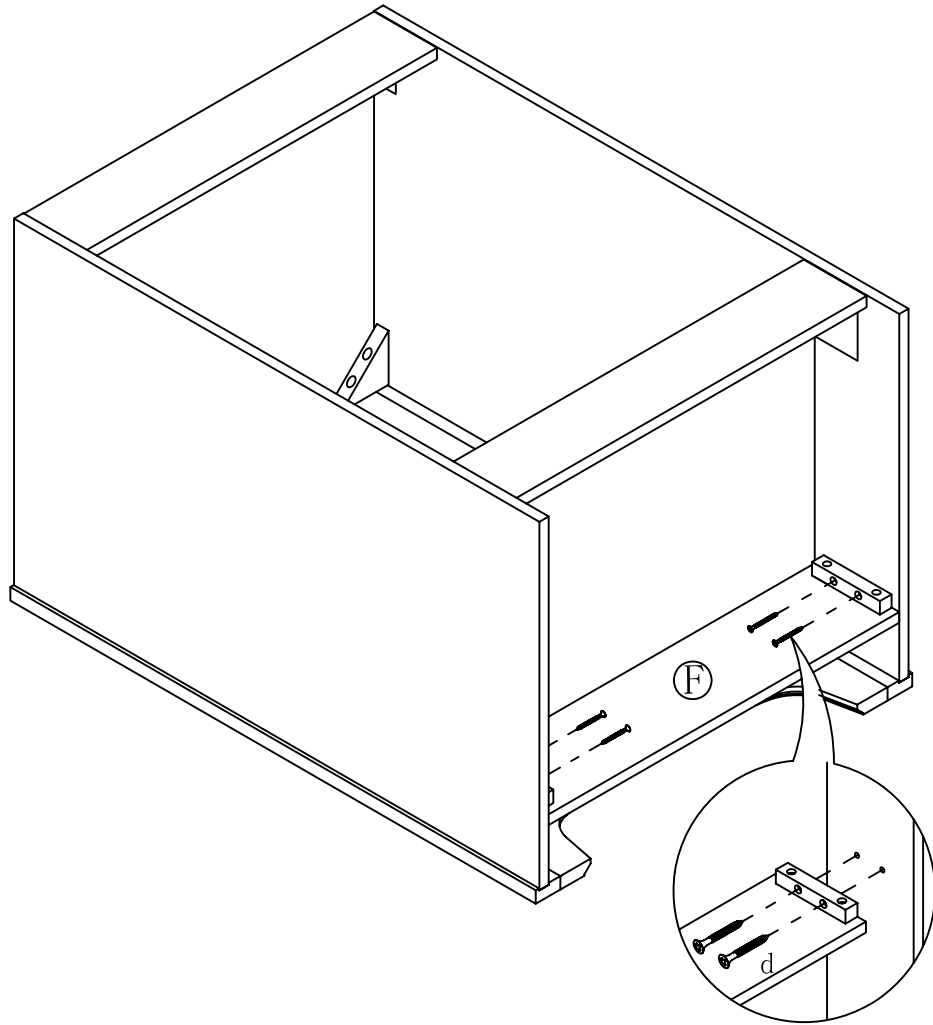
STEP 2



STEP 3



STEP 4



STEP 5

